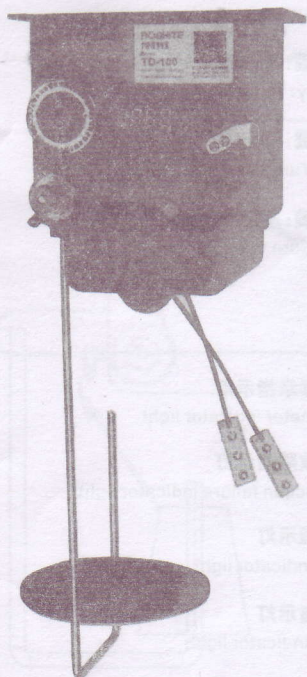


BOSHITE

LED LAMP FOR SEWING MACHINE

博时特

绕线器说明书 Instructions



绕线器使用说明

Instructions

按键说明

Button description

1. **红按钮**: 急停, 长按2秒清零
Red button: Emergency stop, press this button for 2 seconds will be reset.
2. **绿按钮**: 启动
Green button: Start
3. **"P" 键**: 功能键, 长按2秒进入参数设定, 设定完成后再长按保持参数
"P" key: Function key, Hold down "P" key for 2 seconds to enter parameter setting, after setting is finished, press this key again for 2 seconds to keep parameter.
4. **"+" 键**: 数字由0~9
"+" key: Numbers from 0~9
4. **"-" 键**: 数字由9~0
"-" key: Numbers from 9~0
4. **"<" 键**: 向左转 "<"
Key: Turn left
4. **">" 键**: 向右转 ">"
Key: Turn right

指示灯说明

Indicator light

1. **参数标示指示灯**
Parameter indicator light
2. **生产故障指示灯**
Production failure indicator light
3. **停止指示灯**
Stop indicator light
4. **工作指示灯**
Work indicator light

参数设定

Parameter setting

长按P键进入参数设置界面

Hold down "P" key for 2 seconds to enter the parameter setting interface

A: 线长设置0~99.9米

The thread length setting is 0~99.9 meters

C: 梭芯预测线长0~99.9米

The bobbin calculate to thread length 0~99.9 meters

D: 电机速度: F1 (快), F2 (中), F3 (慢)

Motor speed: F1 (Fast), F2 (Medium), F3 (Slow)

E: LED灯亮度: H0 (关闭) H1 (最暗), H2, H3, H4, H5 (最亮)

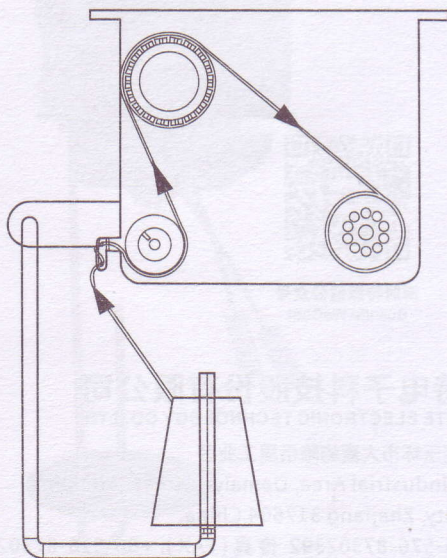
LED lamp brightness: H0 (OFF), H1 (Darkest), H2, H3, H4, H5 (Brightest)

F: 绕线总长切换: F0: 99.9米 F1: 999米

Max winding length: F0: 99.9 meters F1: 999 meters

穿线示意图

Threading diagram





博时特网站
Boshite Website



博时特微信公众号
Boshite WeChat

浙江博时特电子科技股份有限公司

ZHEJIANG BOSHITE ELECTRONIC TECHNOLOGY CO.,LTD

地址: 浙江省台州玉环市大麦屿陈岙里工业区

ADD: Chen'aoli Industrial Area, Damaiyu Street, Yuhuan,
Taizhou City, Zhejiang 317604 China.

电话 (TEL): +86-576-87302392 传真 (FAX): +86-576-87302393

Http://www.boshite.net E-mail: dsk@boshite.net