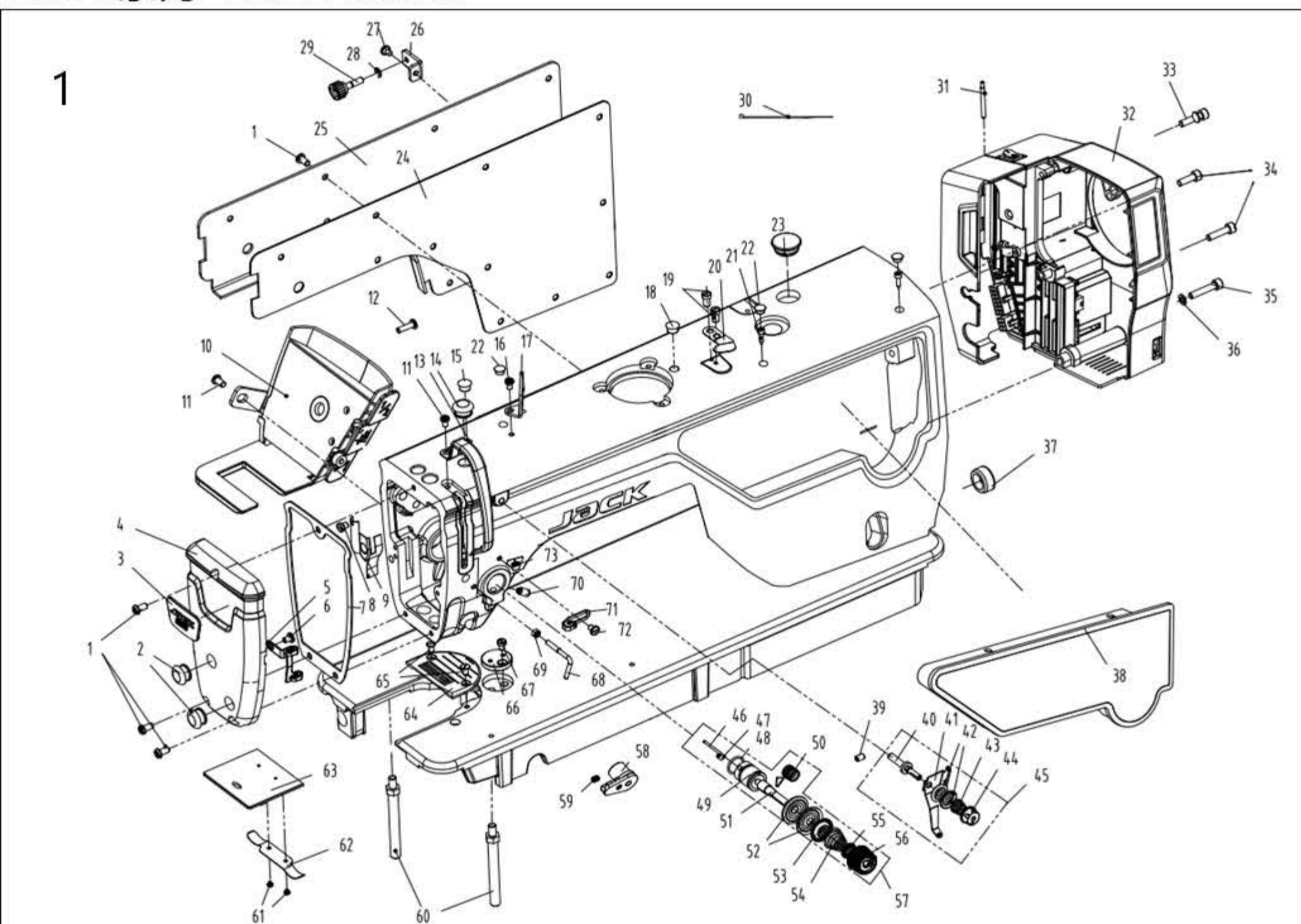


# JACK 杰克

快速服务 100%

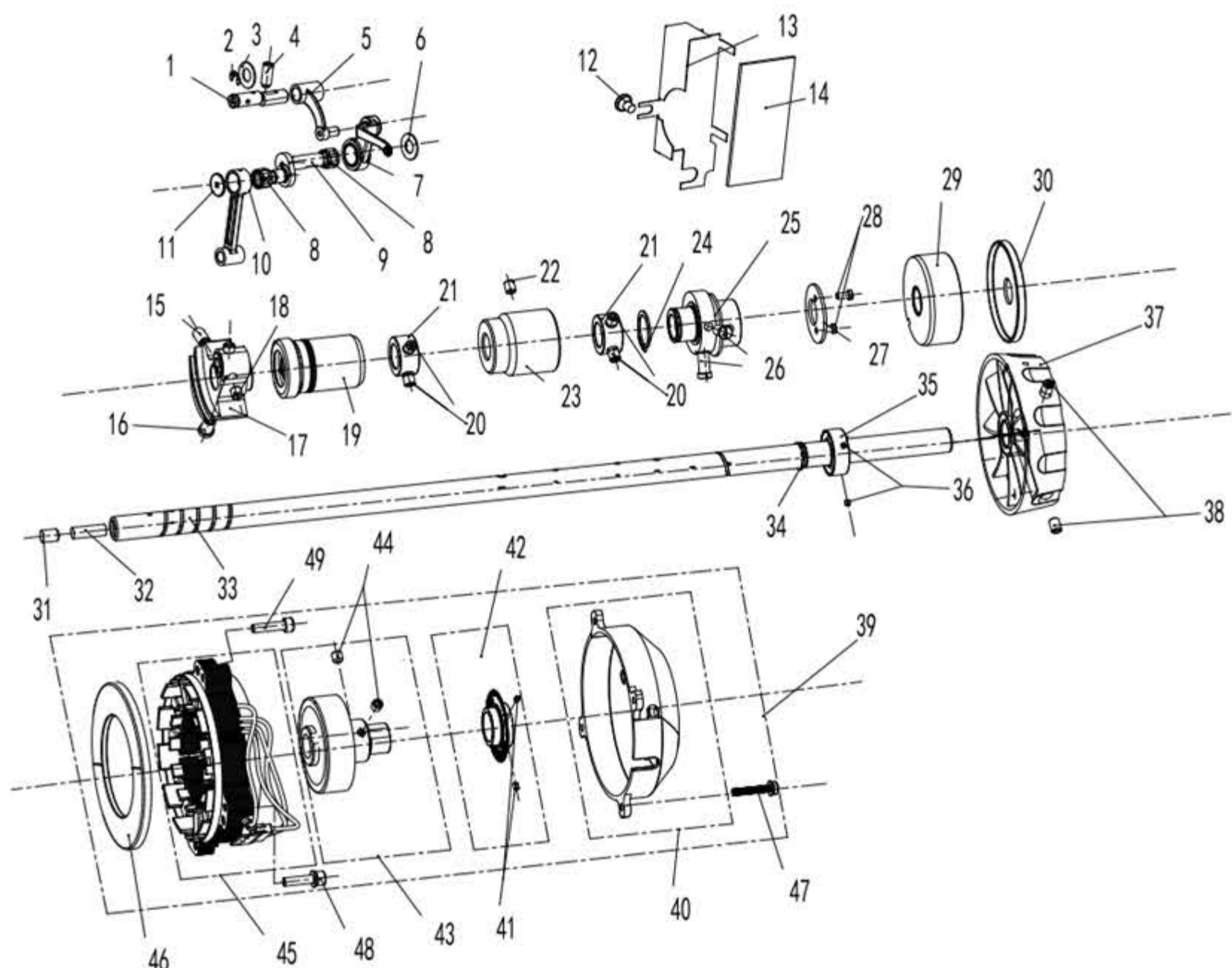
## A5E-A系列 A5E-A Series



### 1. 机壳、外装部件/Machine Frame & Miscellaneous Cover Components

序号NO.	公司件号	Part NO.	名称	PartName	零件描述	Description	数量	Number
1	101S11001		后窗板螺钉SM3/16"×28 L=9		Screw SM3/16"×28 L=9		14	
2	10122003		面板调节孔螺塞		Rubber plug		2	
3	115037001		面板商标牌		Head card		1	
4	930000262		面板 (喷漆)		Face plate asm		1	
5	13813005		左线钩		Thread guide left		1	
6	101S11007		右线钩螺钉SM11/64"×40 L=6		Screw SM11/64"×40 L=6		1	
7	115022002		面板垫		Face plate gasket		1	
8	101S11027		防油板螺钉SM1/8"×44 L=3.4		Screw SM1/8"×44 L=3.4		1	
9	113812019		面部防油板		Face oil shield asm.		1	
	11412082		面部防油板(厚料)		Face oil shield asm.(H)		1	
10	11503002900		倒缝开关组件(三开关)		Three switch components		1	
11	101S11004		挑线杆护罩螺钉SM3/16"×28 L=7		Screw SM3/16"×28 L=7		2	
12	101S11026		油泵安装螺钉SM15/64"×28 L=9		Screw SM15/64"×28 L=9		1	
13	13812018		挑线杆防护罩		Thread take-up lever cover		1	
14	10122004		针杆曲柄螺孔塞		Rubber plug		1	
15	10122005		挑线连杆销螺孔塞		Rubber plug		1	
16	101S11004		挑线杆护罩螺钉SM3/16"×28 L=7		Screw SM3/16"×28 L=7		1	
17	13512004		三孔线勾		3-hole thread guide		1	
18	10122005		挑线连杆销螺孔塞		Rubber plug		1	
19	114S11015		割线刀螺钉SM9/64"×40 L=6		Screw SM9/64"×40 L=6		2	
20	11419001		割线刀		Knife		1	
21	138S05001		操作面板螺钉		Screw		2	
22	13822001		操作屏孔塞		Rubber plug		3	
23	20722002		油封		Oil sealing washer		1	
24	115022001		后窗板垫		Side plate gasket		1	
25	930000263		后窗板 (喷漆)		Side plate		1	
26	13812109		侧盖固定板		Fixed plate		1	
27	S04010		螺钉M4×5.5		ScrewM4×5.5		1	
28	H05002		卡簧3		Circlip 3		1	
29	138S30007		侧盖螺钉		Screw		1	
30	113811004		尼龙扎带		Cable band		4	
31	115026002		电控罩壳销		Pin		1	
32	11503011800		一体机控制器		Electronic components		1	
33	1150NS10004		电控罩壳螺钉组件		Screw		1	
34	114S13001		螺栓(内六角)M5×20		Screw		2	
35	114S30001		M5×25		Screw		1	
36	W01009		GB/T97.1-1985垫圈 5		Washer 5		1	
37	114022002		下轴工艺孔塞		Rubber plug		1	
38	11503011900		操作面板		Control panel(Q)		1	
39	138S08006		小夹线器固定螺钉SM3/16"×28 L=7		Screw SM3/16"×28 L=7		1	
40	13810008		小夹线器螺柱		Thread tension post		1	
41	13812066		过线板		Thread tension guide plate		1	
42	14112017		小夹线板		Thread tension disk		2	
43	11227001		小夹线弹簧		Thread tension spring		1	
44	141S16019		小夹线器螺母		Thread tension nut		1	
45	1411300400		小夹线器组件		Thread tension asm.		1	
46	11326012		松线钉		Tension release pin		1	
47	101S15005		夹线螺钉紧固螺钉SM9/64"×40 L=5.5		Screw SM9/64"×40 L=5.5		1	
48	10122014		挑线簧调节座O型圈		Rubber ring		1	
49	10103011		挑线簧调节座		Thread tension base		1	
50	10127001		挑线簧		Thread take-up spring		1	
	10127031		挑线簧(厚料)		Thread take-up spring(H)		1	
51	141S30001		夹线螺钉		Thread tension post		1	
52	14112015		夹线板		Thread tension disk		2	
53	14112016		松线板		Disk stopper		1	
54	114127004		夹线簧		Thread tension spring		1	
	11427050		夹线簧(厚料)		Thread tension spring A (H)		1	
55	10112007		夹线制动板		Thread disk rotating stopper		1	
56	115011017		夹线螺母		Thread tension nut		1	
57	11501300400		夹线器组件(精密)		Thread tension asm.		1	
	11501300500		夹线器组件(厚)		Thread tension asm.(H)		1	
58	11493000300		电子夹线器组件		Nest less e-device		1	
59	207S14007		GB/T80 凹端紧定螺钉 M4×6		Screw M4X6		1	
60	140S12001		底板支柱		Machine head stud		2	
61	101S11019		推板簧螺钉		Slide plate		2	
62	10127009		推板簧		Slide plate spring		1	
63	10115002		推板		Screw SM3/32"×56 L=2		1	
	11414006		针板		Needle plate		1	
64	11315001		针板(厚料)		Needle plate(H)		1	
	10815001		针板(-7)		Needle plate(-7)		1	
65	104S17002		针板螺钉		Screw SM11/64"×40		2	
66	13812019		卷边器座		Ruler stop seat		1	
67	101S11002		卷边器座螺钉		Screw SM11/64"×40 L=5.5		1	
68	14313001		缓线钩		Thread guide		1	
69	141S16014		螺母SM11/64"×40		Nut SM9/64"×40		1	
70	101S15010		左销螺钉SM15/64"×28 L=10.5		Screw SM15/64"×28 L=10.5		1	
71	10113004		右线勾		Thread guide right		1	
72	101S11007		右线钩螺钉SM11/64"×40 L=6		Screw SM11/64"×40 L=6		1	
73	115037011		夹线器标识		Clip identification		1	

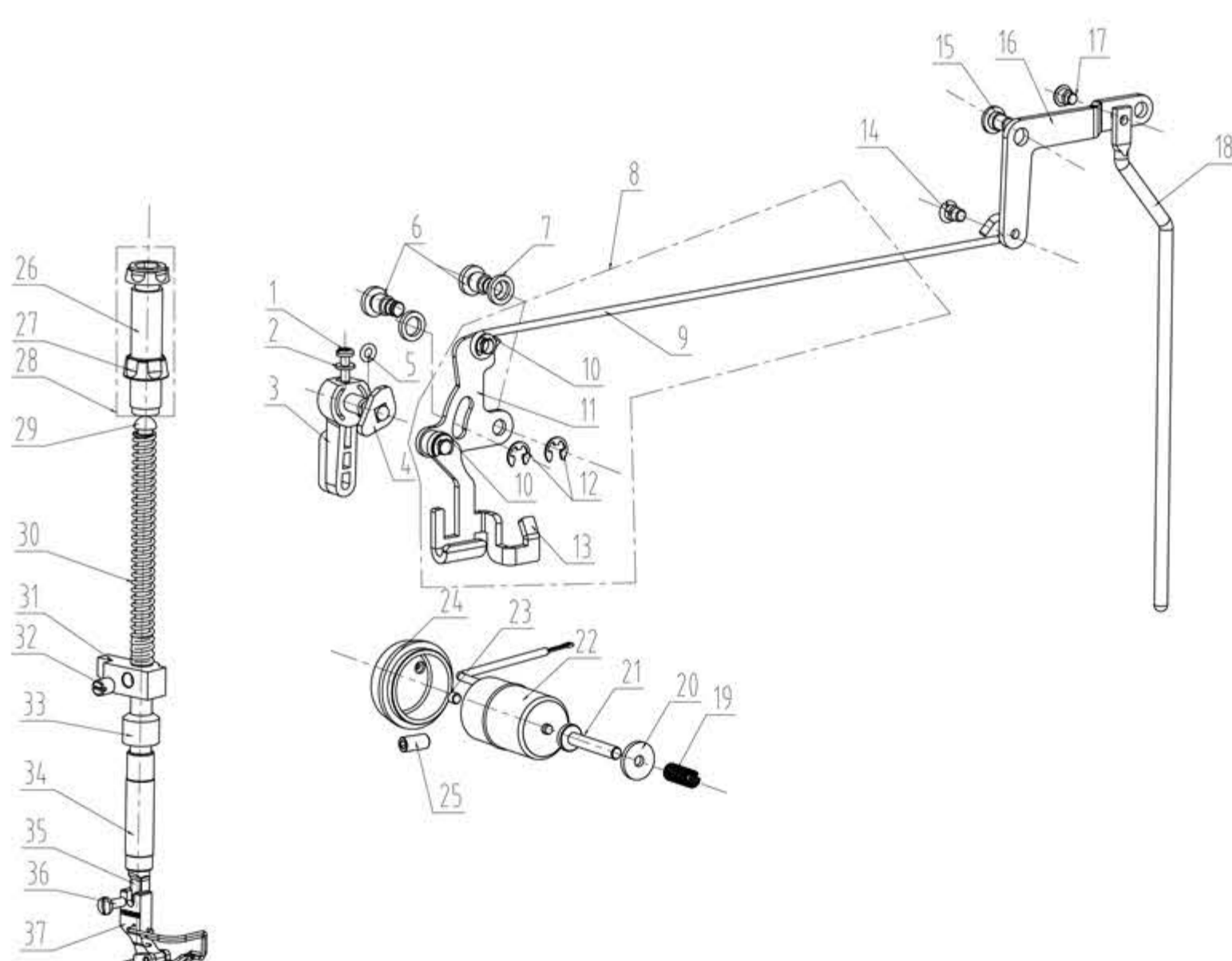
2



## 2. 上轴、挑线部件/Main Shaft &amp; Thread Take-up Components

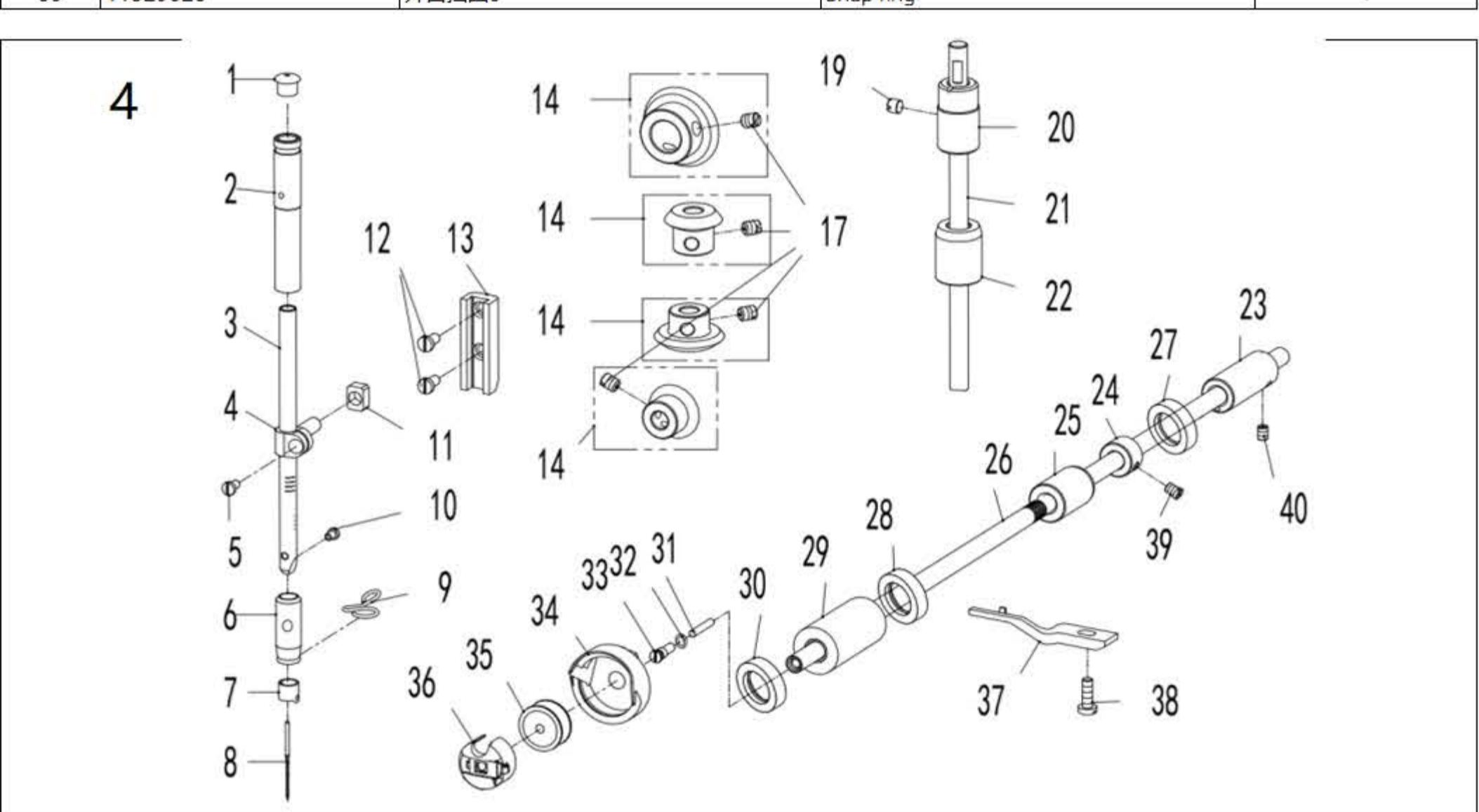
序号NO.	公司件号	Part NO.	名称	PartName	零件描述	Description	数量	Number
1	115026015		挑线连杆销		Thread take-up connecting rod pin		1	
	10126001		挑线连杆销		Thread take-up connecting rod pin(-H/-7)		1	
2	H05013		GB/T 896-1986挡圈6(H-M)		Snap ring 6 (H-M)		1	
3	11328010		垫片(H-M)		washer(H-M)		1	
4	101S15001		上轮螺钉SM15/64"x28 L=15		Screw SM15/64"x28 L=15		1	
5	11305010		挑线连杆		Thread take-up connecting rod		1	
	10105001		挑线连杆(厚料/-7)		Thread take-up connecting rod(H/-7)		1	
6	10112003		针杆曲柄护板		Needle bar crank protecting plate		1	
7	11503800200		挑线杆分组件		Thread take-up lever asm.		1	
	1133800200		挑线杆组件(厚料)		Thread take-up lever asm.(H)		1	
	1013800100		挑线杆分组件		Thread take-up lever asm.(-7)		1	
8	10124001		挑线杆滚针轴承		Needle bearing		2	
9	115004007		挑线曲柄		Thread take-up crank		1	
	1011000400		挑线曲柄分部件(厚料)		Thread take-up crank(H)		1	
	11310012		挑线曲柄(-7)		Thread take-up crank(-7)		1	
10	10105002		针杆连杆		Needle bar connecting rod		1	
11	101S17001		挑线曲柄螺钉(左旋)		Screw		1	
12	141S11002		螺钉SM3/16X28		Screw SM3/16X28		1	
13	115012007		防油罩		Oil shield		1	
14	14123001		防油罩油棉		Oil cotton		1	
15	101S15004		针杆曲柄紧固螺钉SM9/32"x28 L=16		Screw SM9/32"x28 L=16		1	
16	101S11003		针杆曲柄定位螺钉SM9/32"x28 L=16		Screw SM9/32"x28 L=16		1	
17	113804014		针杆曲柄		Needle bar crank		1	
	11404035		针杆曲柄(厚料)		Needle bar crank(H)		1	
18	101S15002		送料轴挡圈螺钉SM1/4"x40 L=6		Screw SM1/4"x40 L=6		2	
19	11500301500		上轴前轴套组件		Main shaft bushing front		1	
20	101S14001		上轴中套挡圈螺钉		Screw		4	
21	10108001		上轴挡圈		Main shaft thrust collar		2	
22	101S15006		夹线器螺钉SM15/64"x28 L=7		Screw SM15/64"x28 L=7		1	
23	12203002		主轴中轴套		Main shaft bushing mid		1	
24	H03002		挡圈20		Snap ring 20		1	
25	115010005		送料偏心轮		Feed eccentric cam		1	
	400811		送料偏心轮(厚料)		Feed eccentric cam (H)		1	
26	101S11013		送料偏心轮螺钉 SM1/4"x40 L=13		Screw SM1/4"x40 L=13		2	
27	10112017		送料偏心轮盖板		Cover plate		1	
	10812002		送料偏心轮盖板(厚料)		Cover plate(H)		1	
28	1150NS11001		偏心轮盖板螺钉SM9/64"x40 L=7		Screw SM9/64"x40 L=7		2	
29	13803002		上轴后轴套		The rear axle sleeve		1	
30	115022017		上轴后套挡油油封		Oil seal		1	
31	10122012		上轴孔塞		Rubber plug		1	
32	14123006		上轴轴套				1	
33	115002013		上轴		Main shaft		1	
34	H03001		GB/T894.1-1986挡圈15		Snap ring 15		1	
35	115008001		电机防尘套		Motor dust jacket		1	
36	S10005		GB/T80-1985螺钉M3x3(进口)		Screw M3x3		2	
37	302830		手轮(喷漆)		Handwheel		1	
38	S10009		螺钉		Screw		2	
39	115033015		光电伺服电机		Motor		1	
40	95111049		电机罩壳组件		Motor cover asm		1	
41	S09022		螺钉M3 L=4		Screw M3 L=4		2	
42	95100116		电机光栅组件 (A2)		Motor grating sensor asm		1	
43	195100324		电机转子总成		Motor rotor		1	
44	S09113		螺钉M6 L=6		Screw M6 L=6		2	
45	195100323		电机定子总成		Motor stator		1	
46	95211058		电机绝缘防护罩		Motor insulation shield		1	
47	951S15016		螺钉组合件M4 L=28		Screw asm M3 L=28		4	
48	951S15010		螺钉组合件M5 L=20		Screw M5 L=20		3	
49	114S13001		螺栓(内六角)M5 L=20		Screw M5 L=20		1	

3



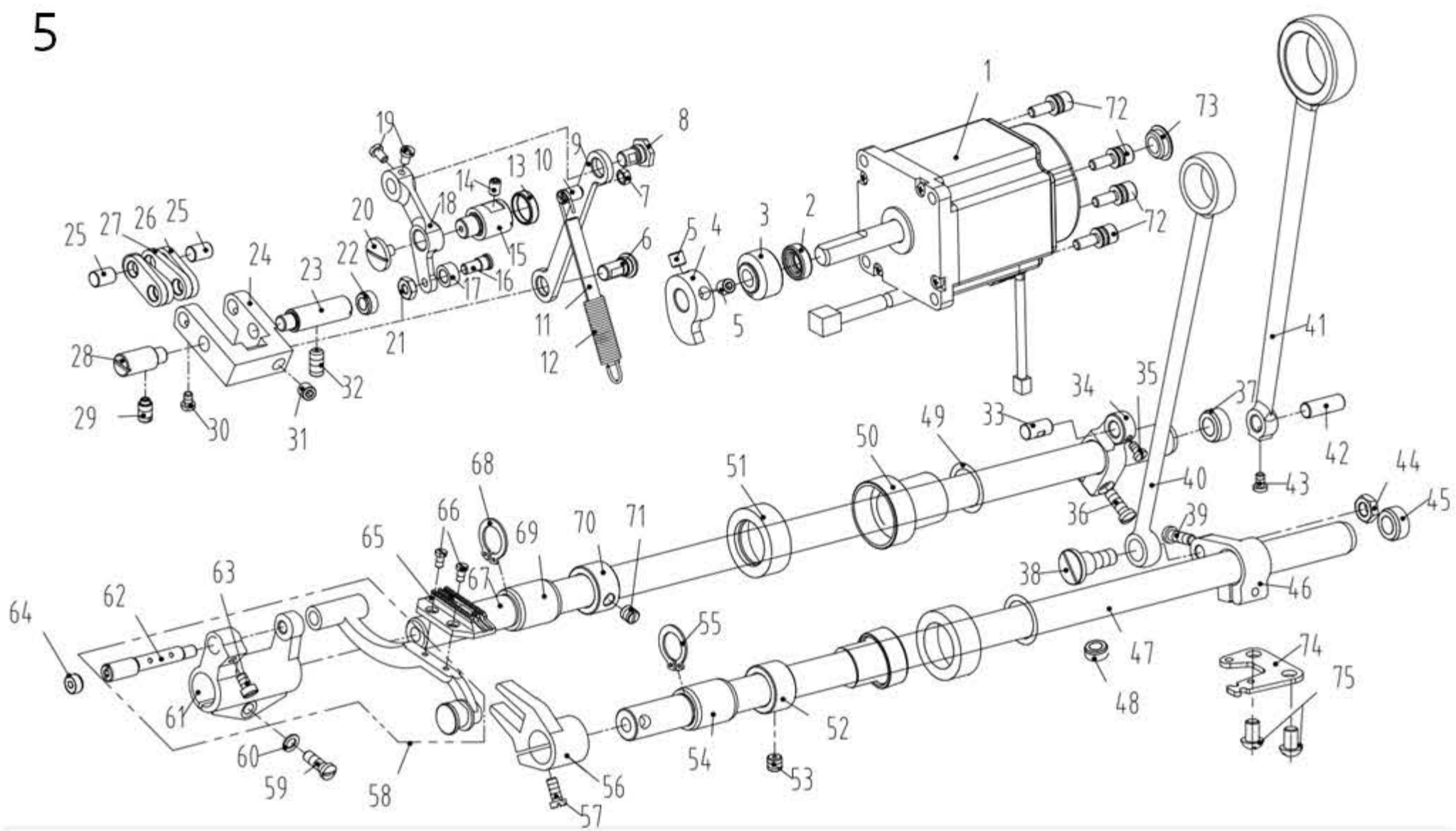
### 3. 压料、自动抬压脚部件/Presser Bar & Auto Lifter Components

序号NO.	公司件号 Part NO.	名称 PartName	零件描述 Description	数量 Number
1	101S11010	压脚扳手螺钉SM9/64"x40 L=11	Screw SM9/64"x40 L=11	1
2	10128002	压脚扳手螺钉垫圈	Washer	1
3	13811029	压脚扳手	Hand lifter	1
4	1411000200	压脚扳手凸轮分部件	Hand lifter cam asm.	1
5	O01004	O型圈	Rubber ring	1
6	101S20001	前杠杆螺纹销	Screw	2
7	10128015	螺纹销橡胶垫圈(厚)	Washer(H)	2
8	11501203000	抬压脚前杠杆组件	Knee lifter lever asm	1
9	14312012	抬压脚拉杆	Knee lifter pull rod	1
10	H05003	GB/T896-1986挡圈 5	Snap ring	2
11	1411201100	抬压脚前杠杆分部件	Lift front lever component	1
12	11329020	挡圈 5	Snap ring	2
13	114112028	压脚升降板	Lifting plate	1
14	101S20004	抬压脚拉杆螺钉SM3/16"x32	Hinge Screw SM3/16"x32	1
15	101S20003	后杠杆轴位螺钉SM15/64"x28	Hinge screw SM15/64"x28	1
16	115012050	抬压脚后杠杆	Knee lifter back lever	1
17	144S20003	抬压脚顶杆轴位螺钉SM3/16"x32	Hinge Screw SM3/16"x32	1
18	115012043	抬压脚顶杆	Knee lifter connecting rod	1
19	10127003	松线辅钉弹簧	Spring	1
20	10128001	松线辅钉垫片	Washer	1
21	114126003	松线辅钉	Thread release supporting pin	1
22	11503011500	松线电磁铁组件	Solenoid	1
23	12922015	橡皮塞	Spout plug	1
24	115022012	松线油封	Oil seal	1
25	113S14010	左销螺钉	Left pin screw	1
26	113811018	调压螺钉	Press regulating screw	1
	1138NS30003	调压螺钉(厚)	Press regulating screw (H)	1
27	13811028	调压螺母	Press regulating nut	1
	1138NS16005	调压螺母(厚)	Press regulating nut(H)	1
28	11381101800	调压螺钉组件	Presser regulating screw nut asm.	1
29	10102003	调压导杆	Press regulating guide bar	1
30	113827010	调压簧	Press regulating spring	1
	10127024	调压簧(厚)	Press regulating spring(H)	1
31	115009004	压杆导架	Presser bar guide bracket	1
32	101S15007	压杆导架螺钉 SM1/4"x40 L=8	Screw SM1/4"x40 L=8	1
33	10122112	压杆防油套	Pressure bar oil cover	1
34	113803007	压杆衬套	Presser bar bushing,lower	1
35	113802009	压杆	Presser bar	1
36	101S11009	活压脚螺钉 SM9/64"x40 L=10.5	Screw SM9/64"x40 L=10.5	1
37	1131600600	压脚组件	Presser foot asm	1
	1131600300	压脚组件(厚)	Presser foot asm(H)	1
38	115027009	松线顶板复位簧	spring	1
39	11329020	开口挡圈5	Snap ring	1



### 4. 针杆、竖轴、下轴部件/Needle bar & Upright Shaft & Hook Driving Shaft Components

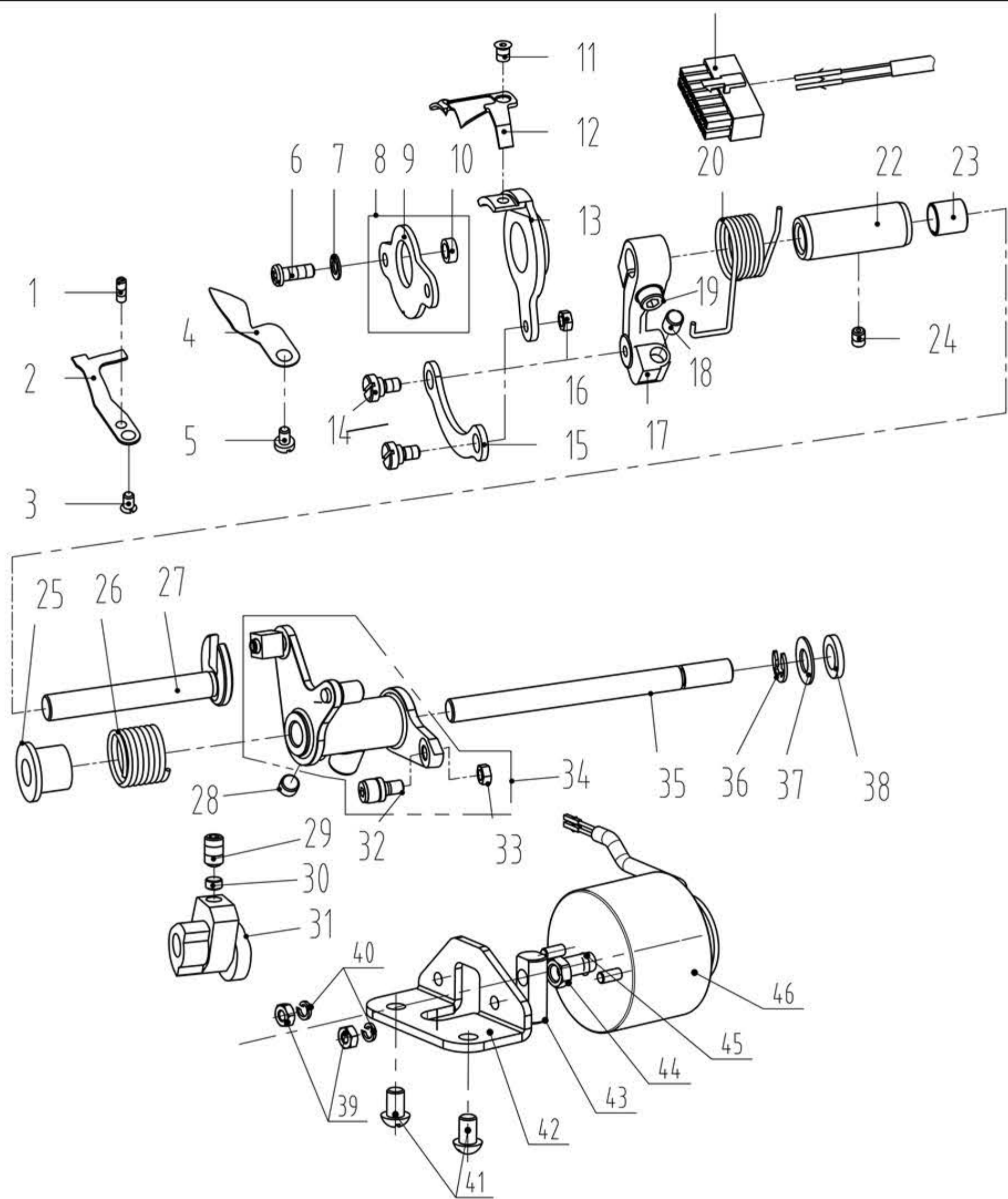
序号NO.	公司件号 Part NO.	名称 PartName	零件描述 Description	数量 Number
1	10122013	针杆上衬套孔塞	Rubber plug	1
2	14103009	针杆上衬套	Needle bar bushing upper	1
	10103009	针杆上衬套(厚料)	Needle bar bushing upper(H)	1
3	11402034	针杆	Needle bar	1
	10102021	针杆(厚料)	Needle bar (H)	1
4	10138002	针杆连接柱	Needle bar connecting rod	1
5	101S11005	螺钉 SM9/64"x40 L=6	Screw SM9/64"x40 L=6	1
6	10103010	针杆下衬套	Needle bar bushing lower	1
	11303023	针杆下衬套(厚料)	Needle bar bushing lower(H)	1
7	10113002	针杆线勾	Needle bar thread guide	1
	11412063	针杆线勾(厚料)	Needle bar thread guide(H)	1
8	10117001	机针DB×1 14#(日本风琴)	Needle	1
	10117002	机针DP×5#21(厚料)	Needle(H)	1
9	10413001	针杆下衬套线勾	Lower bushing thread guide	1
	10113009	针杆下衬套线勾(厚料)	Lower bushing thread guide(H)	1
10	104S11006	支针螺钉(进口) SM1/8"x44 L=4.5	Screw SM1/8"x44 L=4.5	1
11	10109001	针杆连接柱滑块	Slide block	1
12	101S11008	滑块导轨螺钉SM11/64"x40 L=8	Screw SM11/64"x40 L=8	2
13	10109002	针杆接头滑块导轨	Needle bar guide	1
14	11502500500	伞齿轮组件	Upper shaft bevel gear	1
17	101S15014	齿轮螺钉SM1/4"x40 L=7	Screw SM1/4"x40 L=7	8
19	113S11036	一字开槽紧定螺钉SM15/64"x28 L=4.7	Screw SM15/64"x28 L=4.7	1
20	113803012	竖轴上轴套	Upright shaft bushing upper	1
21	115002008	竖轴	Upright shaft	1
22	113803004	竖轴下轴套	Upright shaft bushing lower	1
23	115003007	下轴后轴套	Hook driving shaft bushing back	1
24	115008002	下轴挡圈	Hook driving shaft snap ring	1
25	115003008	下轴中套	Lower shaft middle bushing	1
26	115002019	下轴	Hook driving shaft	1
27	11522001	油封组件12	oil seal 12	1
28	114122004	下轴前套油封(大)	oil seal	1
29	14003001	下轴前轴套组件	Hook driving shaft bushing front	1
30	115222012	下轴前套油封(大)	oil seal	1
31	13823001	下轴限油芯	Oil wick	1
32	141822002	O形圈3.6×0.8	Rubber ring 3.6×0.8	1
33	101S30005	下轴限油螺钉	set screw	1
34	11418003	广濑中厚料旋梭(扩大缝切范围)	Hook asm (Hirose)	1
	11418004	广濑厚料旋梭(新)(有尾巴)	Hook asm(Hirose)(H)	1
35	10118003	梭心	Bobbin	1
36	11218504	梭壳	Bobbin case asm.	1
37	10112016	旋梭定位钩	Finger postioner	1
	10112032	旋梭定位钩(厚料)	Finger postioner(H)	1
38	116S11005	牙架曲柄螺钉SM11/64"x40 L=13	Screw SM11/64"x40 L=13	1
39	101S11012	下轴挡圈螺钉SM11/64"x40 L=4.8	Screw SM11/64"x40 L=4.8	2
40	113S14020	下轴后套螺钉SM11/64"x40 L=6	Screw SM11/64"x40 L=6	1



## 5. 送料部件/Feed Mechanism Components

序号 NO	公司件号 Part NO	名称 PartName	零件描述 Description	数量 Number
1	115033014	步进电机 (-5,-H)	Stepper motor (-5,-H)	1
	115033013	步进电机 (-7)	Stepper motor (-7)	1
2	114922002	步进电机轴套油封Φ10×Φ16×5	Stepper motor bushing oil seal	1
3	115003002	步进电机轴套	Stepper motor bushing	1
4	115410003	针距凸轮 (-7)	Needle pitch cam (-7)	1
5	S10118	螺钉M6 L=6	Screw M6 L=6	2
6	114926001	针距曲柄销	Needl gage crank pin	1
7	114S16004	螺母SM11/64"x40	Nut SM11/64"x40	1
8	115426001	针距曲柄销	Needl gage crank pin	1
9	115405007	针距调节连杆	Needle pitch adjusting link	1
10	114S30007	弹簧悬置螺钉	Spring mounting screw	1
11	11321005	油管	Tubing	1
12	115027008	针距拉伸弹簧 (-5,-H, )	Pitch reset spring	1
	115427003	针距复位簧 (-7)	Pitch reset spring (-7)	1
13	20628023	送料轴油封	Feed shaft oil seal	1
14	113S14010	左销螺钉	Screw SM3/16"x28 L=7	1
15	115426003	针距曲柄支撑销	Pitch crank support pin	1
16	136S20003	滚轮螺钉	Roller screw	1
17	13609002	滚轮	Roller	1
18	115404003	针距曲柄	Needl gage crank pin	1
19	101S11005	螺钉SM9/64"x40 L=6	Screw SM9/64"x40 L=6	2
20	101S11023	送料调节器轴端螺钉	Feed regulator shaft end screw	1
21	136S17005	滚轮螺母	Roller nut	1
22	14022015	孔塞11.5	Rubber plug	1
23	10126010	送料摆动板座右销	Right pin	1
24	114901001	送料摆动板座	Feed shaking plate	1
25	10126007	短摆动板连杆销	Connecting pin	2
26	11412022	送料短摆动板	Feed short shaking plate	2
	13809007	送料短摆动板(厚料)	Feed short shaking plate (H)	2
	11412022	送料短摆动板(-7)	Feed short shaking plate (-7)	2
27	13809008	送料长摆动板	Feed long shaking plate	2
28	10126009	送料摆动板座右销	Left pin	1
29	101S15010	左销螺钉SM15/64"x28 L=10.5	Screw SM15/64"x28 L=10.5	1
30	101S11005	螺钉SM9/64"x40 L=6	Screw SM9/64"x40 L=6	2
	114S11015	螺钉SM9/64"x40 L=6(厚料)	Screw SM9/64"x40 L=6(H)	2
31	101S14001	螺钉SM1/4"x40 L=6	Screw SM1/4"x40 L=6	1
32	113S14010	螺钉SM15/64"x28 L=12	Screw SM15/64"x28 L=12	1
33	10126011	送料曲柄销	Feed rocker crank pin	1
34	10104002	送料曲柄	Feed rocker shaft crank	1
35	101S11005	螺钉SM9/64"x40 L=6	Screw SM9/64"x40 L=6	1
36	101S11016	螺钉SM3/16"x28 L=14	Screw SM3/16"x28 L=14	1
37	114022002	拾牙送料轴后孔塞		1
38	101S20005	拾牙连杆轴位螺钉SM9/32"x28	hinge Screw SM9/32"x28	1
39	101S11016	螺钉SM3/16"x28 L=14	Screw SM3/16"x28 L=14	1
40	115405003	拾牙连杆	Connecting rod	1
41	115405002	送料连杆	Rocker shaft connecting rod	1
	115405004	送料连杆 (-H, -7)	Rocker shaft connecting rod(-H, -7)	1
42	10126006	送料连杆销	Connecting rod pin	1
43	114S11015	割线刀螺钉SM9/64"x40 L=6	Screw SM9/64"x40 L=6	1
44	101S16003	拾牙连杆轴位螺母 SM9/32"x28	Hinge Screw SM9/32"x28	1
45	114022002	拾牙送料轴后孔塞		1
46	10104004	拾牙后曲柄	Feed driving shaft crank	1
47	115002016	拾牙轴	Feed driving shaft	1
48	14022008	送料轴油线孔塞	Plug	2
49	114022001	送料轴后轴套密封圈	Rubber ring	2
50	14003002	送料轴后轴套	Axle sleeve	2
51	1142200800	油封组件22	Oil seal	2
52	10108003	送料轴挡圈	Feed rocker shaft snap ring	1
53	101S15002	螺钉SM1/4"x40 L=6	Screw SM1/4"x40 L=6	2
54	10403015	轴套	Bushing	1
55	H03001	GB/T894.1-1986挡圈 15	Snap ring 15	1
56	115004006	拾牙叉形曲柄	Driving shaft crank	1
	113804011	拾牙叉形曲柄(厚料、-7)	Driving shaft crank (H, -7)	1
57	1138NS30004	拾牙叉形曲柄螺钉	Driving shaft crank Screw	1
58	11500700200	牙架座组件	Rack seat assembly	1
	11380700300	牙架组件(-H, -7)	Rack Assembly (-H, -7)	1
59	101S11016	螺钉SM3/16"x28 L=14	Screw SM3/16"x28 L=14	1
60	10128003	牙架座螺钉垫圈	Washer	1
61	480095	牙架座	Feed bar bed	1
62	10401007	牙架销(自制)	Feed bar pin	1
63	101S11025	螺钉SM11/64"x40 L=7	Screw SM11/64"x40 L=7	1
64	14022003	送料轴前孔塞	Spout plug	1
65	11414002	送料牙	Feed dog	1
	11314001	送料牙(厚料)	Feed dog (H)	1
	11414001	送料牙(-7)	Feed dog (-7)	1
66	101S11018	螺钉 SM1/8"x44 L=6	Screw SM1/8"x44 L=6	2
67	115002015	送料轴	Feed rocker shaft	1
68	H03001	GB/T894.1-1986挡圈 15	Snap ring 15	1
69	115003009	送料轴前轴套	Bushing	1
70	10108003	送料轴挡圈	Feed rocker shaft snap ring	1
71	101S15002	螺钉SM1/4"x40 L=6	Screw SM1/4"x40 L=6	2
72	1150NS13002	螺钉SM3/16"x28 L=15	Screw SM3/16"x28 L=15	4
73	10122003	面板调节孔螺塞	Rubber plug	1
74	13812081	拉簧固定板	Spring fixing plate	1
75	101S11026	螺钉SM15/64"x28 L=9	Screw SM15/64"x28 L=9	2

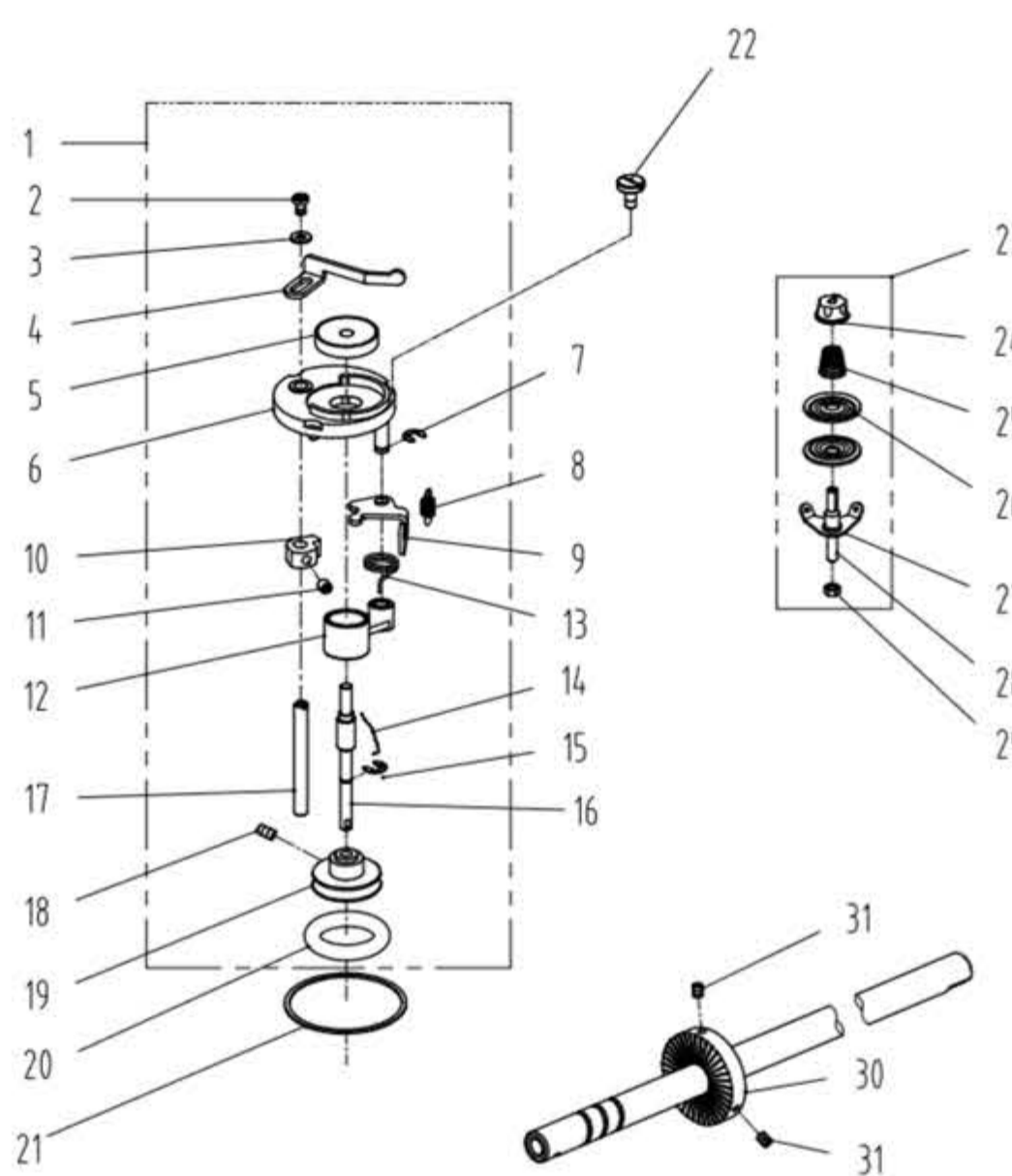
6



## 6. 切线部件/Thread Trimmer Components

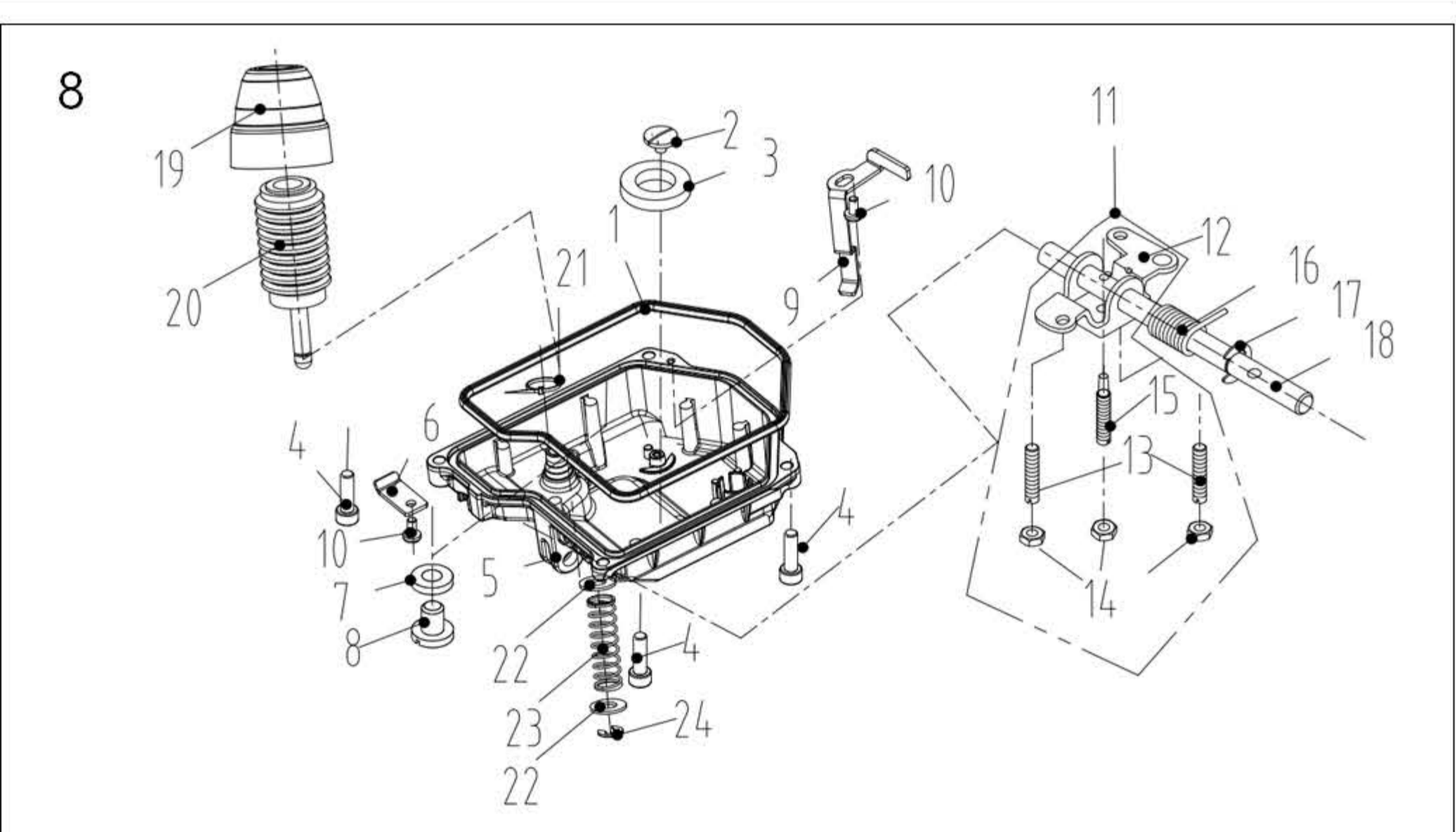
序号NO	公司件号	Part NO	名称	PartName	零件描述	Description	数量	Number
1	113S15002		螺钉SM1/8"x44 L=9.5	Screw SM1/8"x44 L=9.5	Screw SM1/8"x44 L=9.5		1	
2	115019001		定刀	Secant knife	Secant knife		1	
3	113S17001		螺钉SM9/64"x40	Screw SM9/64"x40	Screw SM9/64"x40		1	
4	11312003		分线片	Needle guard patch	Needle guard patch		1	
5	125S11020		松线轴套螺钉	Screw SM9/64"x40 L=5.5	Screw SM9/64"x40 L=5.5		1	
6	113S11001		螺钉SM11/64"x40 L=12	Screw SM11/64"x40 L=12	Screw SM11/64"x40 L=12		2	
7	10128003		牙架座螺钉垫圈	Washer	Washer		2	
8	14012004		刀架压板组件	Knife bracket press component	Knife bracket press component		1	
9	14012032		偏心连杆	Eccentric connecting rod	Eccentric connecting rod		1	
10	11303012		短套	Short bushing	Short bushing		2	
11	113S17002		螺钉SM11/64"x40 L=4.4	Screw SM11/64"x40 L=4.4	Screw SM11/64"x40 L=4.4		2	
12	14019004		活动刀(薄料短槽)	Motorial knife	Motorial knife		1	
	114119002		活动刀(厚料短槽)	Motorial knife(H)	Motorial knife(H)		1	
13	11307001		剪线刀架	Knife bracket	Knife bracket		1	
14	113S20001		连杆螺钉SM11/64"x40	Hinge Screw SM11/64"x40	Hinge Screw SM11/64"x40		2	
15	114112013		连杆	Connecting rod	Connecting rod		1	
16	114S16004		螺母SM11/64"x40	Nut SM11/64"x40	Nut SM11/64"x40		1	
17	115004004		切线曲柄	Crank	Crank		1	
18	115022003		驱动曲柄止动块	Crank driver stopper block	Crank driver stopper block		1	
19	S05004		螺钉M5 L=14	Screw M5 L=14	Screw M5 L=14		1	
20	11327001		弹簧	Spring	Spring		1	
21	11230004		14孔接线器	Plug	Plug		1	
22	11303003		切线轴套	Thread cutting shaft bushing	Thread cutting shaft bushing		1	
23	11503005		驱动曲柄轴衬套	Crank drive shaft bushing	Crank drive shaft bushing		1	
24	113S14020		螺钉SM11/64"x40 L=6	Screw SM11/64"x40 L=6	Screw SM11/64"x40 L=6		1	
25	11322002		扭簧端盖	Spring cover	Spring cover		1	
26	11327002		弹簧	Spring	Spring		1	
27	14104002		切线凸轮曲柄轴	Crank shaft	Crank shaft		1	
28	101S14001		上轴挡圈螺钉SM1/4"x40	Screw SM1/4"x40 L=6	Screw SM1/4"x40 L=6		1	
29	116S14005		螺钉SM1/4"x40 L=10	Screw SM1/4"x40 L=10	Screw SM1/4"x40 L=10		2	
30	113809009		凸轮顶柱	Push rod	Push rod		2	
31	11310004		剪线凸轮	Cam	Cam		1	
32	11324001		滚柱	Roolling pin	Roolling pin		1	
33	1138NS16001		螺母SM11/64"x40	Nut SM11/64"x40	Nut SM11/64"x40		1	
34	1130400500		剪线驱动组件	Thread trimmer drive asm.	Thread trimmer drive asm.		1	
35	11302002		轴	Shaft	Shaft		1	
36	H05013		GB/T896-1986挡圈6	Snap ring 6	Snap ring 6		1	
37	10112003		针杆曲柄护板	Cunter weight protecting	Cunter weight protecting		1	
38	11322003		电磁铁缓冲片	Solenoid cushion rubber	Solenoid cushion rubber		1	
39	N01005		螺母 M4	Nut M4	Nut M4		2	
40	W02018		弹簧垫圈 4	Washer	Washer		2	
41	101S11026		螺钉SM15/64"x28 L=9	Screw SM15/64"x28 L=9	Screw SM15/64"x28 L=9		2	
42	11312006		切线电磁铁支架组件	Bracket	Bracket		1	
43	11309001		切线电磁铁顶销	Solenoid pin	Solenoid pin		1	
44	112S16006		螺母SM1/4"x40	Nut SM1/4"x40	Nut SM1/4"x40		1	
45	113822005		电磁铁橡胶垫	Washer	Washer		1	
46	11463000600		剪线电磁铁组件	Thread trimmer solenoid asm.	Thread trimmer solenoid asm.		1	

7



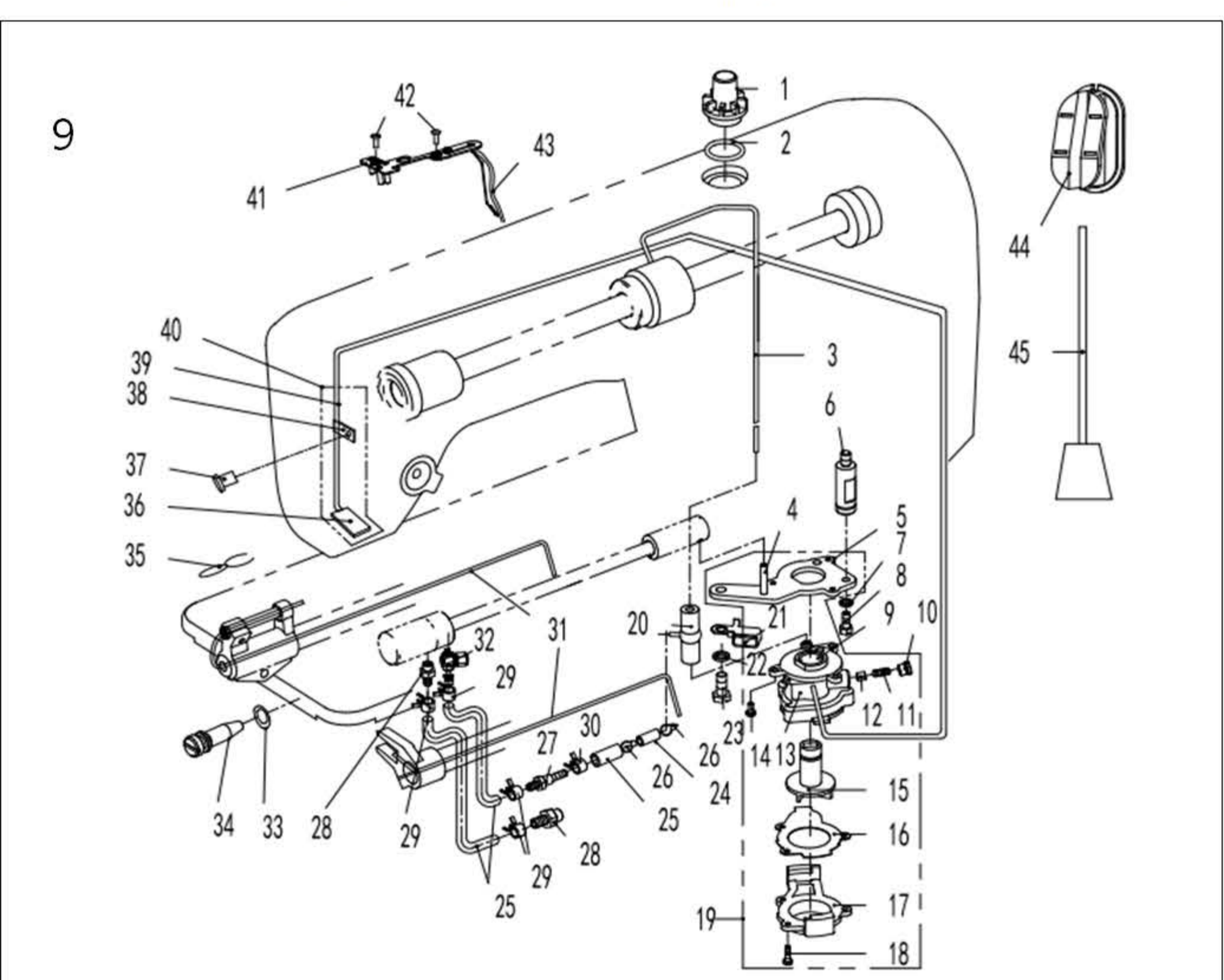
## 7. 绕线部件/ Bobbin Components

序号 NO	公司件号 Part NO	名称 PartName	零件描述 Description	数量 Number
1	1383103900	绕线器组件	Bobbin winder asm	1
	1473100100	绕线器组件(HL)	Bobbin winder asm(HL)	1
2	114S11008	螺钉M4 L=6	Screw M4 L=6	1
3	W01142	垫圈4	Washer 4	1
4	10113030	压线控制板	Thread press control plate	1
5	10111120	绕线衬垫	Winding pad	1
6	13831101	绕线器装置底座	Bobbin winder bed	1
7	H05006	开口挡圈5	Snap ring 5	1
8	10127061	复位板拉簧	Spring	1
9	13812110	调节板	Regulating plate	1
10	10110030	绕线凸轮	Bobbin winder cam	1
11	S09045	螺钉M5 L=5	Screw M5 L=5	1
12	1380510600	绕线器连杆组件	Bobbin winder connecting rod	1
13	13827103	满线复位簧	spring	1
14	10127060	弹簧	Spring	1
15	GB/T 896-1986	开口挡圈4	Snap ring 4	1
16	13802111	绕线器主轴	Bobbin winder mian shaft	1
17	13802026	绕线凸轮轴	Bobbin winder cam shaft	1
18	S09103	绕线轮螺钉M4 L=4	Screw M4 L=4	2
19	13831102	绕线轮	Bobbin winder wheel	1
20	O01110	O型圈	Ring	1
21	11422062	密封垫	Washer	1
22	114S11003	螺钉SM3/16"×28 L=10	Screw SM3/16"×28 L=10	3
23	1411300600	底线夹线器	Bobbin thread tension asm	1
24	141S16019	夹线螺母	Thread tension nut	1
25	11427006	小夹线弹簧	Spring	1
26	14112015	夹线板	Thread tension disk	2
27	11413022	夹线过线板	Thread tension guide plate	1
28	112S13004	夹线螺钉	Screw	1
29	114S16001	螺母SM11/64"×40	Nut SM11/64"×40	1
30	11435013	绕线器驱动轮	Driving wheel	1
31	S10009	螺钉M6 L=8	Screw M6 L=8	2



## 8. 油盘、膝抬压脚部件/Oil Ceservoir & Knee Lifter Components

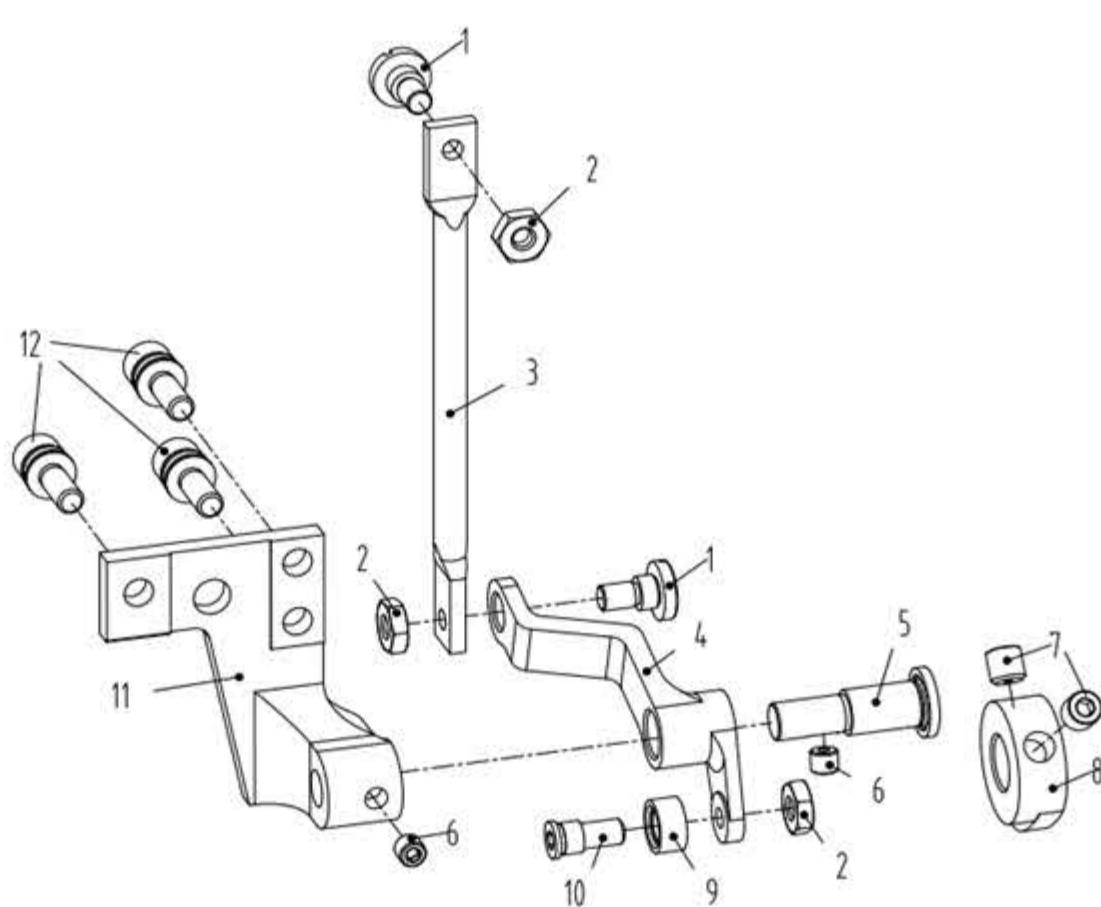
序号NO.	公司件号 Part NO.	名称 PartName	零件描述 Description	数量 Number
1	115022010	油盘密封垫	Seal	1
2	101S11023	送料调节器轴端螺钉	Screw	1
3	10131001	油盘磁铁	Oil reservoir magnet	1
4	S05240	油盘固定螺钉M6x20	Screw M6 L=20	4
5	115001028	油盘	Oil reservoir	1
6	115212004	电线压板	Wire clamp	1
7	20528014	油盘放油垫圈	ring	1
8	207S13002	堵油螺钉	Screw	1
9	114112021	电线压板	Wire clamp	1
10	113S11004	松线导管压板螺钉M4x8	Screw M4x8	2
11	1401202700	抬压脚双向曲柄组件	Lifting foot bidirectional crank asm.	1
12	10112027	抬压脚双向曲柄	Knee lifter crank	1
13	S07020	双向曲柄限位调节螺钉M6 L=20	Screw M6 L=20	2
14	101S16004	双向曲柄限位调节螺母M6	Nut M6	3
15	101S12002	双向曲柄螺钉	Screw	1
16	14027016	双向曲柄扭簧	Knee lifter spring	1
17	H05010	GB/T896-1986挡圈9	Snap ring 9	1
18	11500201400	抬压脚轴组件	Knee lifter shaft	1
19	115022009	顶帽防护帽	Knee lifter push rod hat	1
20	114111012	顶帽组件	Knee lifter push rod	1
21	195413001	2×200耐高温扎带	Cable band	1
22	40128013	垫圈 6.2×13×1	Washer 6.2×13×1	2
23	14327002	顶帽弹簧	Knee lifter push rod Spring	1
24	H05012	开口挡圈4(日标)	Snap ring 4	1



## 9. 润滑、油量检测部件/Oil Lubrication & Oil Measuring Components

序号NO.	公司件号 Part NO.	名称 PartName	零件描述 Description	数量 Number
1	11211004	油窗	Oil sight window	1
2	10122019	油窗O形圈	Rubber ring	1
3	115421003	上轴供油管	Main shaft oil tube	1
4	10121001	下轴供油管	Hook driving shaft oil tube	1
5	10112020	油泵安装板	Oil pump installing base	1
6	101S30008	油泵连接螺柱	Oil pump connecting stud	1
7	W03002	弹垫	Spring washer	1
8	209S12001	压脚螺钉SM11/64 " ×40 L=10.5	Screw SM11/64 " ×40 L=10.5	1
9	10103022	油泵体衬套	Oil pump bushing	1
10	101S30007	柱塞螺钉	Plunger Screw	1
11	10127013	柱塞簧	Plunger spring	1
12	10122018	回油柱塞	Plunger	1
13	10120001	油泵体	Oil pump	1
14	S04093	油泵螺钉	Screw	3
15	10111003	油泵叶轮	Oil pump impeller	1
16	10112021	油泵叶轮托板	Oil pump impeller cover	1
17	10111007	油泵盖	Lubricating oil pump cover	1
18	101S30006	螺钉	Screw	3
19	1012000100	油泵组件	Lubricating oil pump component	1
20	10136001	供油管接头	Rubber joint	1
21	14112007	过线勾	Thread hook	1
22	W02004	GB/T93-1987弹垫M6	Spring Washer M6	1
23	116S30003	拾牙叉固定螺钉SM15/64"x28 L=14.5	Screw SM15/64"x28 L=14.5	1
24	14021003	铝油管	Aluminum tubing	1
25	14021001	PVC油管	Tubing	0.48m
26	113811004	尼龙扎带	Cable band	2
27	14036004	油盘油嘴	Oil nozzle	1
28	14036002	回油嘴	Oil nozzle	2
29	20429001	油管卡簧	Oil pipe clamp spring	4
30	30129007	油管卡簧	Oil pipe clamp spring	1
31	10123010	油线	Oil wick	2
32	115036001	油量调节接头	Oil nozzle	1
33	14022011	O型圈	Rubber ring	1
34	140S30001	油量调节螺钉	Oil volume adjusting screw	1
35	10127015	回油毡夹	Oil felt clamp	1
36	10123006	回油毡	Oil felt felt	1
37	101S11004	挑线杆护罩螺钉SM3/16"x28 L=7	Screw SM3/16"x28 L=7	1
38	10112023	回油管夹	Oil tube clamp	1
39	10121008	回油管	Oil return tube	1
40	10121007	回油管组件	Oil return tube component	1
41	10112025	油线固定板	Oil wick fixing plate	1
42	101S11010	压脚扳手螺钉SM9/64"x40 L=11	Screw SM9/64"x40 L=11	2
43	10123010	油线	Oil wick	1
44	13811015	油窗	Oil window	1
45	11412200200	浮标	Buoy	1

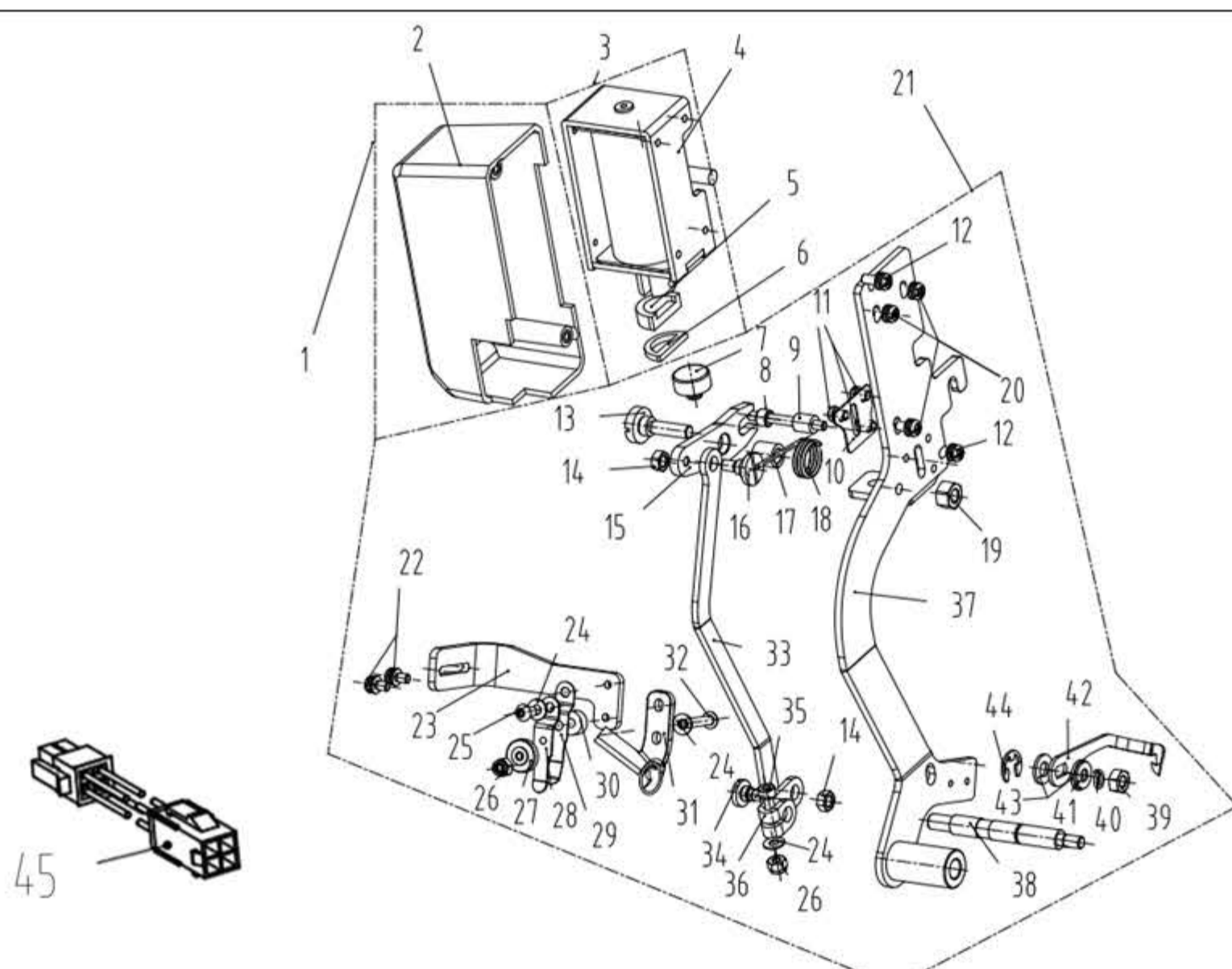
10



## 10. 自动抬压脚部件Auto Lifter Components

序号 NO	公司件号 Part NO	名称 PartName	零件描述 Description	数量 Number
1	1150NS20001	抬压脚顶杆螺钉	Presser foot lifter screw	2
2	136S17005	滚轮螺母	Roller nut	3
3	115412001	自动抬压脚顶杆	Automatic presser foot lifter	1
4	115404002	抬压脚驱动曲柄	Driving crank of presser foot	1
5	115426002	抬压脚驱动曲柄销	Lifting presser foot to drive crank pin	1
6	S10014	螺钉M5 L=4	Screw M5 L=4	2
7	S10118	螺钉M6×0.75×6	Screw M6×0.75×6	2
8	115410002	抬压脚凸轮	Presser foot cam	1
9	13609002	滚轮	Roller	1
10	136S20003	滚轮螺钉	Roller screw	1
11	115401001	抬压脚曲柄支架	Crank bracket for presser foot lifting	1
12	1150NS13002	螺钉SM3/16"x28 L=10	Screw SM3/16"x28 L=10	3

11

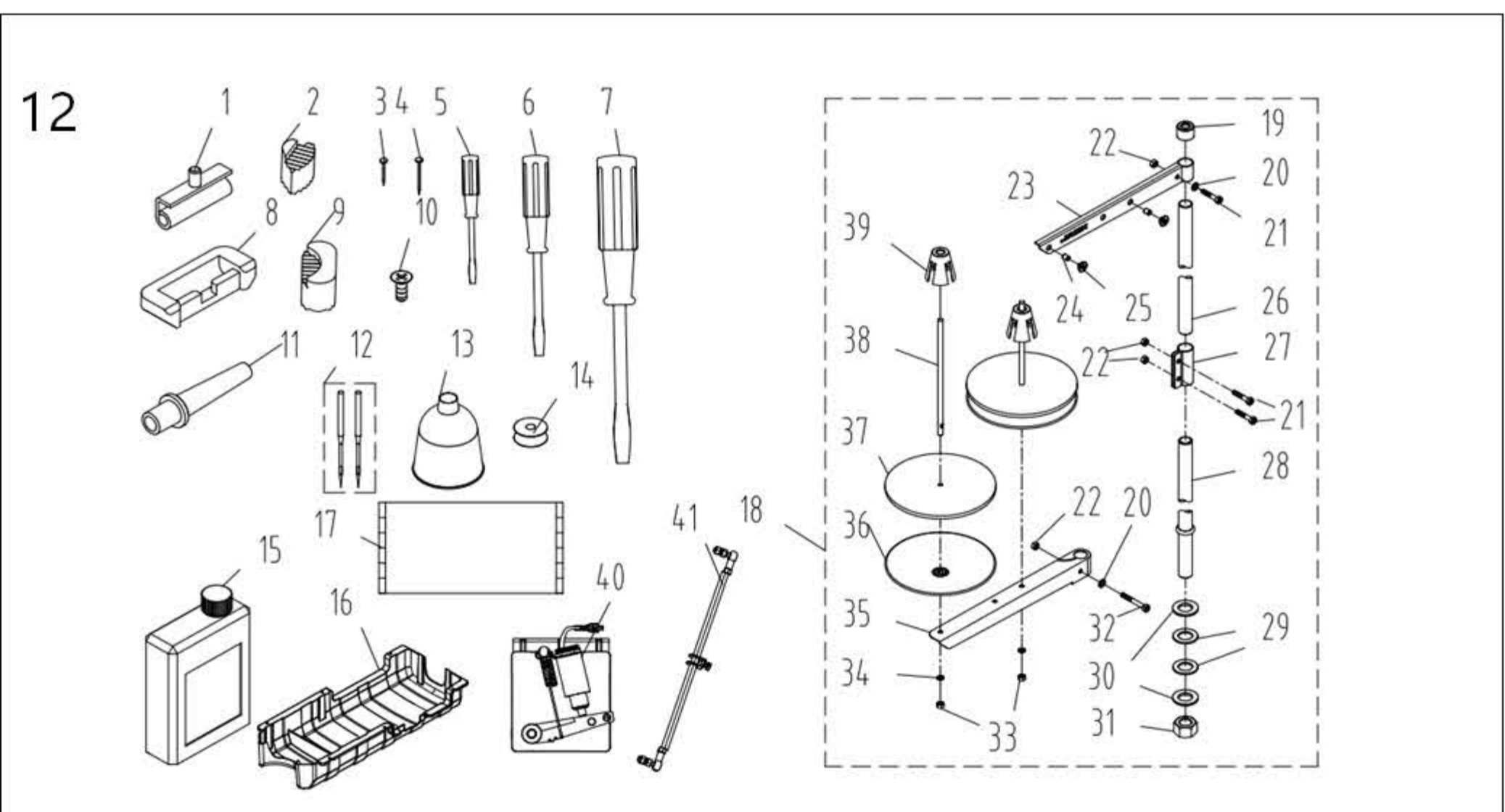


## 11. 少鸟巢装置/ No Bird's Nest Components (1)

序号 NO	公司件号 Part NO	名称 PartName	零件描述 Description	数量 Number
1	11501203900	勾线装置组件	Wire laying device asm	1
2	14411003	罩壳	Shell	1
3	11503004300	拨线电磁铁组件	Dial the line electromagnet	1
4	/	拨线电磁铁	Dial the line electromagnet	1
5	14022026	橡皮垫	Rubber mat	1
6	14028020	缓冲垫片	Buffer gasket	1
7	14022027	橡皮垫块	Rubber pad	1

## 11. 少鸟巢装置/ No Bird's Nest Components (2)

序号NO.	公司件号 Part NO.	名称 PartName	零件描述 Description	数量 Number
8	14008001	滑动衬套	The sliding sleeve	1
9	115026014	拨线传动销	Dial the line drive pin	1
10	115028002	挡片	Block piece	1
11	201S11005	开槽圆柱头螺钉	Screw asm	3
12	S15011	螺钉组合件M3 L=8	Screw asm M3 L=8	2
13	140S20020	拨线传动板轴位螺钉	Dial the line drive board shaft screw	1
14	140S16007	拨线连杆轴位螺母	Dial the line connecting rod shaft nut	2
15	14012024	拨线传动板	Dial the line drive board	1
16	140S20021	拨线连杆轴位螺钉	Dial the line connecting rod shaft screw	1
17	14003008	复位衬套	Reset the bushing	1
18	14027020	复位弹簧	Reset spring	1
19	140S16008	拨线传动板轴位螺母	Dial the line shaft drive plate a nut	1
20	S15010	螺钉组合件M3 L=6	Screw asm M3 L=6	3
21	11501203800	勾线支架组件 (含吸嘴)	Hook bracket asm (including suction nozzle)	1
22	S15010	螺钉组合件M3 L=6	Screw asm M3 L=6	2
23	14012021	压片支架	Tablet bracket	1
24	W01099	平垫圈3	Wwasher 3	2
25	S17885	螺钉M3 L=6	Screw M3 L=6	1
26	N08004	螺母M3	Nut M3	1
27	N06013	滚花螺母3	Knurl nut M3	1
28	14013011	压片	Tablet	1
29	14013010	滑压片	Sliding tablet	1
30	14022025	橡胶圈	Rubber ring	1
31	14011005	吸嘴	Suction nozzle	1
32	S17886	螺钉M3 L=16	Screw M3 L=16	1
33	115012035	拨线连杆	Dial the line connecting rod	1
34	1141NS20002	拨线连杆轴位螺钉	Dial the line connecting rod shaft Screw	1
35	S05973	螺钉M3 L=14	Screw M3 L=14	1
36	14012023	拨线驱动连杆	Line drive connecting rod	1
37	11501203400	拨线电磁铁支架组件	Dial the line electromagnet stent components	1
38	14002008	拨线驱动轴	Line drive shaft	1
39	N01110	螺母M4	Nut M4	1
40	W02018	弹簧垫圈4×0.8	Spring washer 4×0.8	1
41	W01097	平垫圈4	Wwasher 4	1
42	14013009	线勾	Wire hook	1
43	W01098	垫圈5×1	Washer 5×1	2
44	11329020	开口挡圈5	Open ring	1
45	115011009	吸风装置转接线	Suction device adapter	1



## 12. 机头附件/Machine Head Accessories

序号NO.	公司件号 Part NO.	名称 PartName	零件描述 Description	数量 Number
1	1011203100	机头连接钩部件	Hinge component	2
2	14022022	机头座垫	Die cushion	2
3	101S30010	机头连接钩座钉P19	Nail P19	2
4	1141NS30001	机头连接钩座钉P25	Nail P25	4
5	10131004	螺丝刀 (小)	Screw driver,small	1
6	10131003	螺丝刀 (中)	Screw driver,medium	1
7	20731047	螺丝刀 (大)	Screw driver,large	1
8	10122060	机头连接钩座	Head connecting rubber cushion	2
9	14022023	机头支架	Nose support	2
10	101S30014	木螺钉M4×20	Wood screw M4×20	6
11	115011003	机头支柱	Machine head rest pin	1
12	10117001	机针 (定位14#)	Needle	4
	10117002	机针DP×5#21 (厚料)	Needle(H)	4
13	20131039	漏斗	Funnel	1
14	10118003	梭心	Bobbin	2
15	1381101200	油壶组件	Oiler component	1
16	115211002	油盘托盘	Disk tray	1
17	114131001	防尘罩	Dust cover	1
18	11023100400	线架组件	Thread stand asm.	1
19	20131019	线架杆顶防护橡皮	Spool rest rod rubber cap	1
20	W01047	平垫圈5	Washer 5	2
21	S04050	六角螺栓M5×16	Screw M5×16	1
22	N01034	六角螺母M5	Nut M5	4
23	13831022	上线架过线杆	Spool rest arm upper	1
24	10113011	过线圈 (内)	Thread guide ring	2
25	10113010	过线圈 (外)	Thread guide ring	2
26	13831019	线架杆上节	Spool rest rod upper	1
27	13831021	线架杆接头	Spool rest rod joint	1
28	13831020	线架杆下节	Spool rest rod lower	1
29	10122106	橡胶垫圈	Spool rest rod rubber ring	2
30	W01052	平垫圈16	Washer 16	2
31	N02004	六角薄螺母M16×1.5	Spool rest rod nut M16×1.5	1
32	S04051	六角螺栓M5×31.5	Screw M5×31.5	1
33	N01034	六角螺母M5	Nut M5	2
34	W03002	弹簧垫圈 5	Spring washer 5	2
35	13831023	下线架过线杆	Spool rest arm lower	1
36	13831024	线盘	Spool rest	2
37	20131010	线盘垫	Spool rest cushion	2
38	20131006	线托棒	Spool pin	2
39	13831025	线团防松垫	Spool retainer	2
40	11023002800	塑壳调速器(平缝A2)	Molded case governor (flat joint A2)	1
41	11543100300	拉杆组件	Tie rod assembly	1

公司地址(Address of Company) :  
 中国浙江省台州市椒江区三甲东海大道东段1008号  
 NO.1008, DONGHAI AVENUE EAST, JIAOJIANG DISTRICT,TAIZHOU CITY, ZHEJIANG  
 邮编( Zip Code ): 318000  
 国内销售部(Domestic Trade Department):  
 电话(TEL): 0086-0576-88177788 88177789  
 传真(FAX): 0086-0576-88177758  
 国贸部(International Trade Department):  
 电话(TEL): 0086-0576-88177782 88177774  
 传真(FAX): 0086-0576-88177787  
 服务热线: 400-8876858  
<http://www.chinajack.com>



请您扫下杰克服务号

[www.chinajack.com](http://www.chinajack.com)

资料如有更改, 恕不另行通知, 以实物为准。  
 You will be not informed if the file has been revised.Please set sample as standard.  
 日期: 2023.09