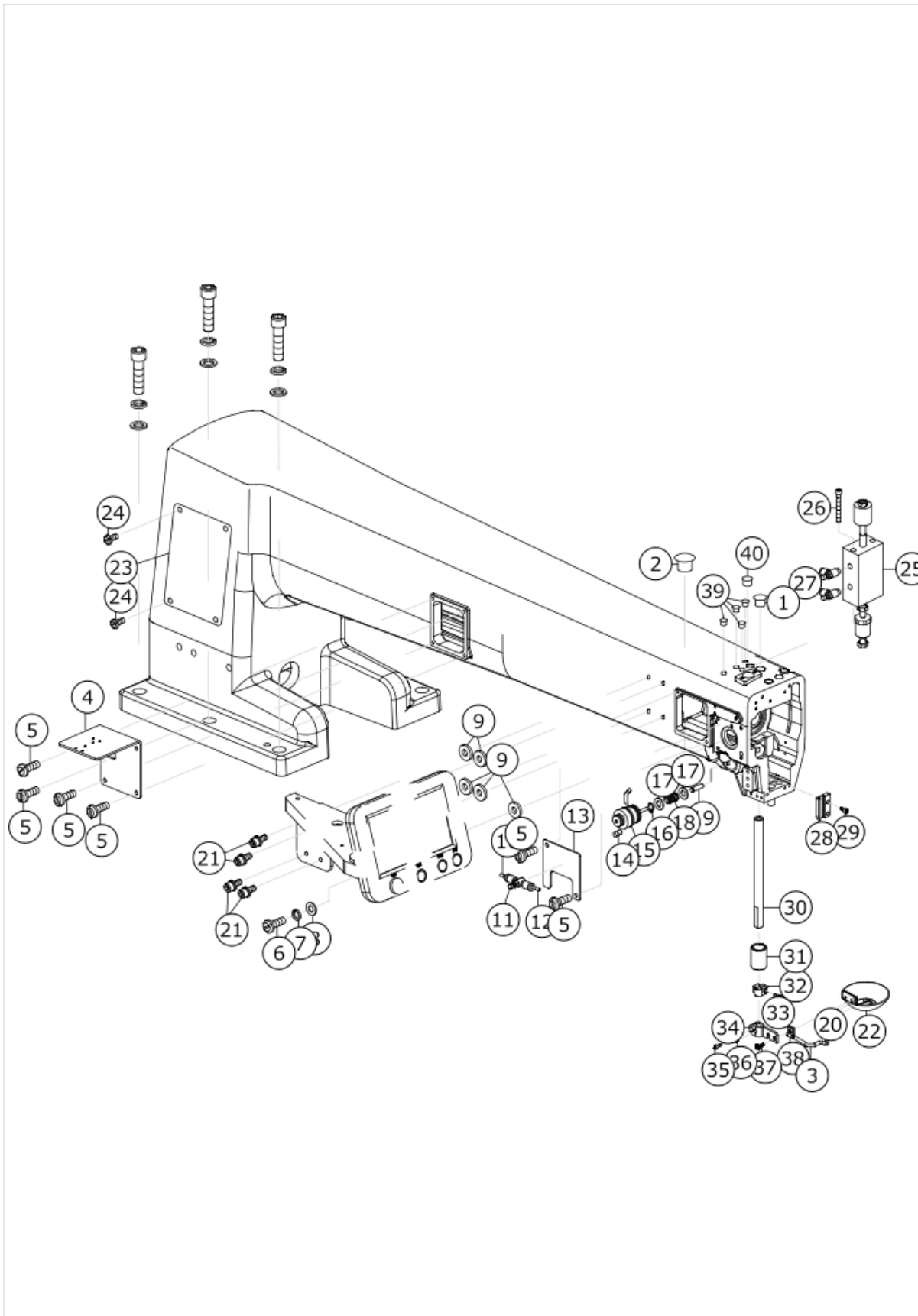


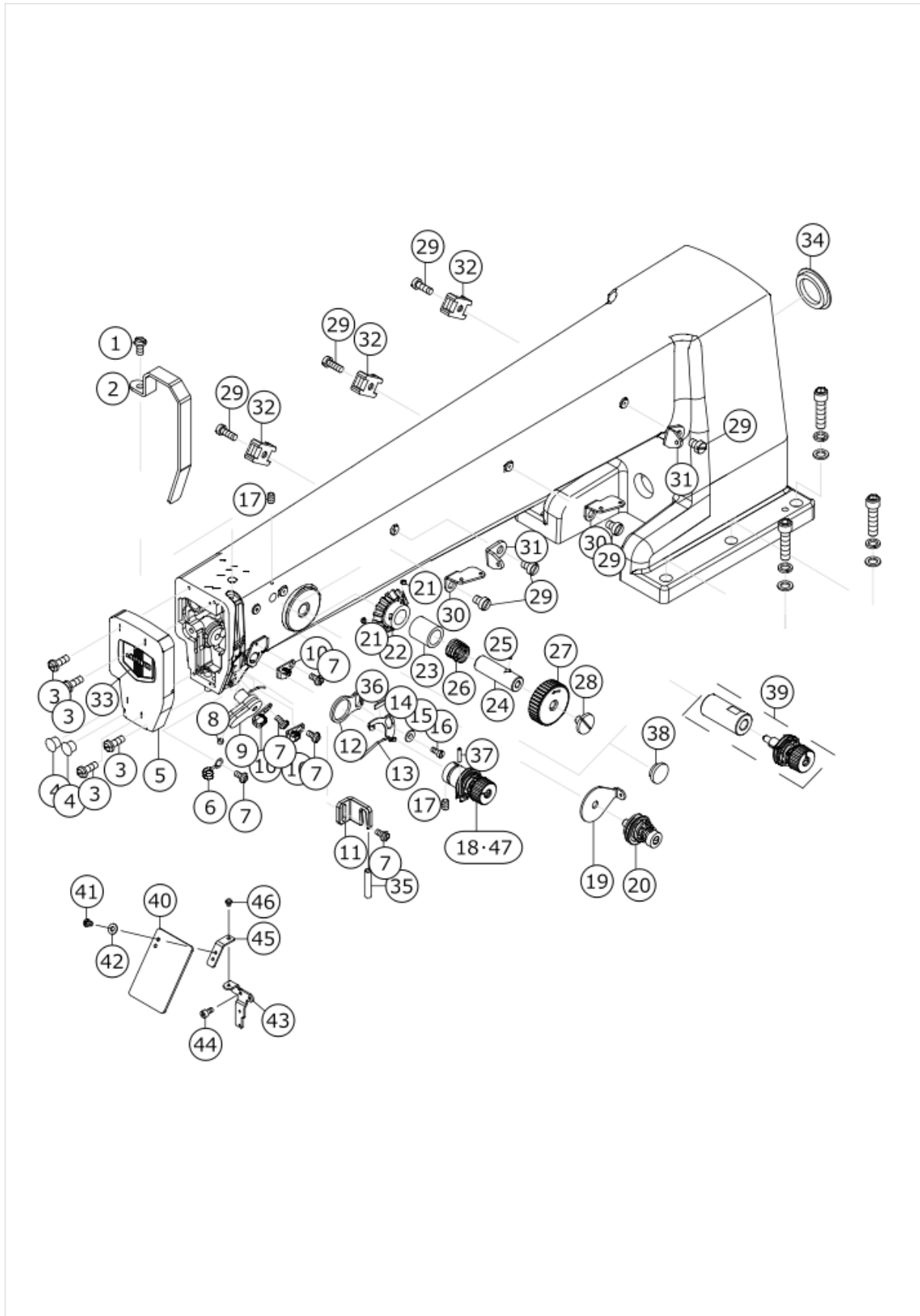
PS-800-12080

MACHINE FRAME & MISCELLANEOUS COVER COMPONENTS (1)



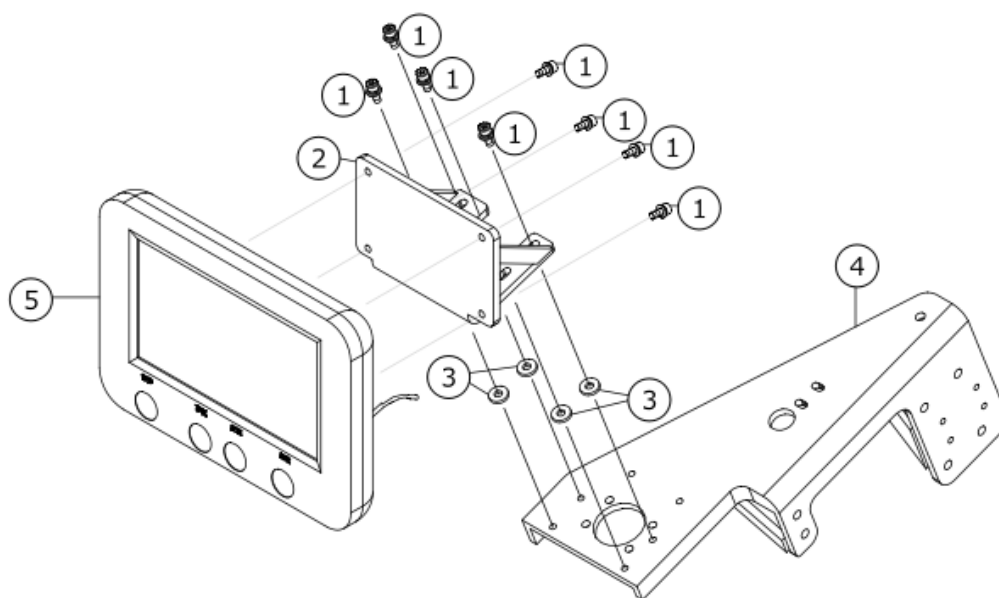
No.	品番	品名	備考	子部品	消耗品	個数
1	40228010	20_RUBBER_PLUG				1.00
2	40228011	26_RUBBER_PLUG				1.00
3	40228012	FACE_THREADER				1.00
4	40227991	SIDE_COVER_REAR				1.00
5	-	SCREW				6.00
6	-	SCREW				1.00
7	-	SPRING_WASHER				1.00
8	-	WASHER				1.00
9	40227992	PANEL_RUBBER_CUSHION				5.00
10	-	UPPER_THREAD_BLOW				1.00
11	40227993	UPPER_THREAD_BLOW_ADJUSTING_JOINT				1.00
12	-	UPPER_THREAD_BLOW_TRACHEA				1.00
13	40227994	SIDE_COVER_FRONT				1.00
14	-	SCREW				1.00
15	40227995	THREAD_LOOSENING_SOLENOID_ASM				1.00
16	-	E_RING				1.00
17	-	WASHER				2.00
18	40227996	THREAD_RELEASE_PIN_SPRING				1.00
19	40227997	THREAD_RELEASE_PIN				1.00
20	-	PIN				2.00
21	-	SCREW				4.00
22	40225491	BOAT_PRESSER_L				1.00
23	40228585	SIDE_COVER_BIG				1.00
24	-	SCREW				4.00
25	40228000	SUPPLEMENTARY_PRESSER_CYLINDER				1.00
26	-	SCREW				2.00
27	40228001	CYLINDER_JOINT				2.00
28	40228002	SUPPLEMENTARY_PRESSER_ROD_GUIDE				1.00
29	-	SCREW				2.00
30	40228003	SUPPLEMENTARY_PRESSER_ROD				1.00
31	40228004	SUPPLEMENTARY_PRESSER_CASE				1.00
32	40228005	SSUPPLEMENTARY_PRESSER_PILLAR				1.00
33	-	SCREW				1.00
34	40228006	SUPPLEMENTARY_PRESSER_CONNECT_PILLARS				1.00
35	-	SCREW				1.00
36	-	SCREW				1.00
37	-	SCREW				2.00
38	40228007	PLANE_THREAD_BRONCHUS				2.00
39	40228008	8_RUBBER_PLUG				4.00
40	40228009	12_RUBBER_PLUG				1.00

MACHINE FRAME & MISCELLANEOUS COVER COMPONENTS (2)



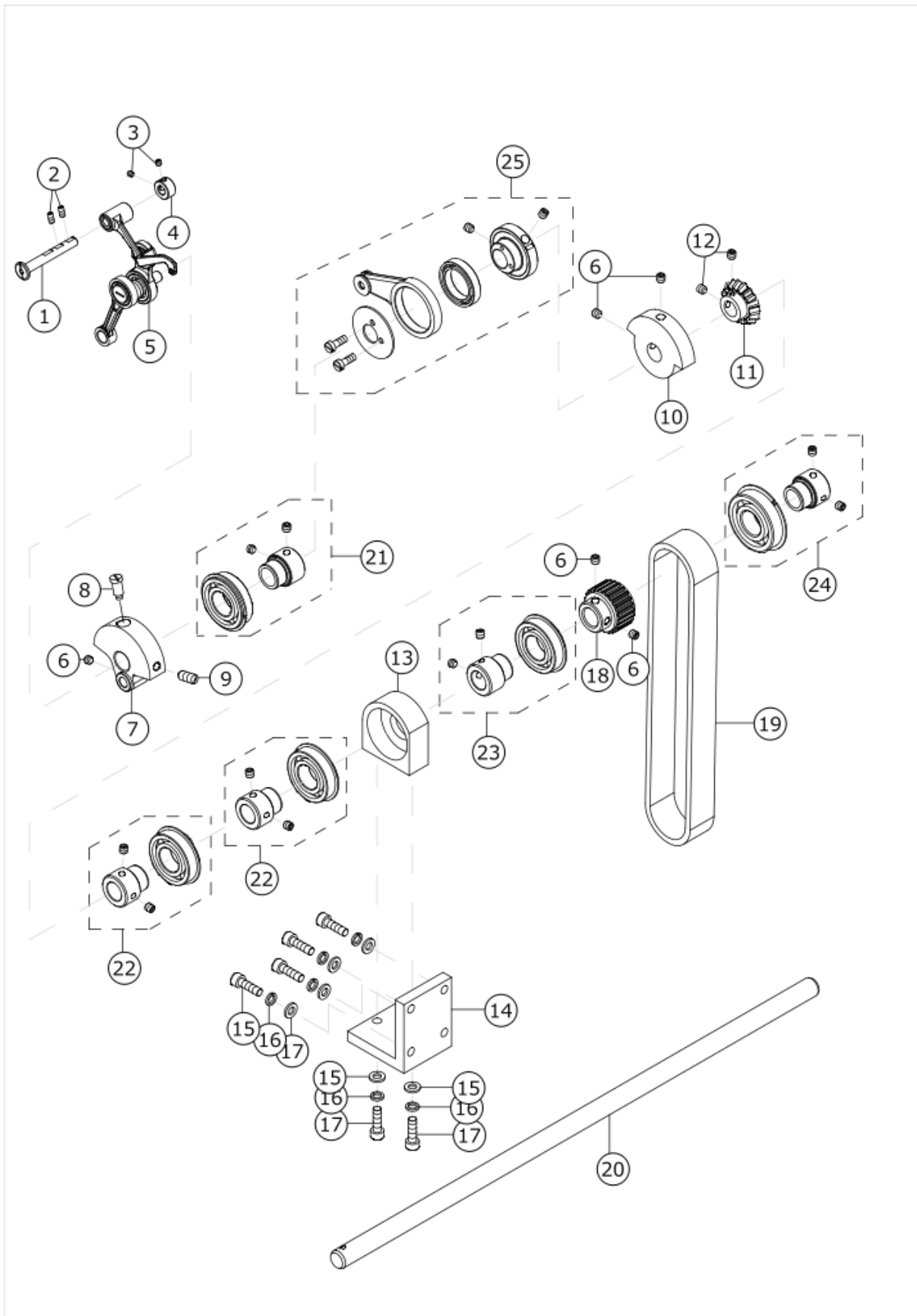
No.	品番	品名	備考	子部品	消耗品	個数
1	-	SCREW				1.00
2	40228013	THREAD_TAKE_UP_COVER				1.00
3	-	SCREW				4.00
4	-	12_RUBBER_PLUG				2.00
5	40228014	FACE_COVER				1.00
6	-	LOWER_GUIDE				1.00
7	-	SCREW				5.00
8	40228015	SCREW				1.00
9	40228016	SOLENOID_ASM				1.00
10	40228017	RIGHT_GUIDE				3.00
11	40228018	VERTICA_GUIDE				1.00
12	40228019	IN-SENSOR_INSULATION_PIECE				1.00
13	40228020	SENSOR_PLATE_THREAD				1.00
14	40228021	SHEAR_THREAD_DETECT_SENSOR_PLATE				1.00
15	-	OUT-SENSOR_INSULATION_PIECE				1.00
16	-	SCREW				1.00
17	-	SCREW				1.00
18	40228022	THREAD_TENSION_ASM	TYPE S			1.00
19	40228023	THREAD_TENSION_GUIDE				1.00
20	40228024	UPPER_THREAD_TENSION_ASM				1.00
21	-	SCREW				2.00
22	40228025	PULLEY_SHAFT_GEAR				1.00
23	40228026	PULLEY_METAL				1.00
24	40228027	PULLEY_SHAFT				1.00
25	-	PIN				1.00
26	40228028	PULLEY_SPRING				1.00
27	40228029	PULLEY				1.00
28	40228030	SCREW				1.00
29	40228031	SCREW				7.00
30	40228032	DOUBLE_HOLE_GUIDE				2.00
31	40228033	SINGLE_HOLE_GUIDE				2.00
32	40228034	FIXING_PLATE				3.00
33	40228586	FACE COVER PLATE				1.00
34	40228035	SPINDLE_BACK_COVER				1.00
35	40228040	GUIDE_TUBE				1.00
36	40228041	THREAD_TENSION_CASE_TUBE				1.00
37	40228042	SHEAR_THREAD_DETECT_SENSOR_PLATE_RUBBER				1.00
38	40228043	RUBBER_PLUG				1.00
39	40228051	3RD THREAD TENSION ASM	SPECIAL ORDER PARTS			1.00
40	-	SAFETY PLATE				1.00
41	-	SCREW M4X0.7 L=6				2.00
42	-	WASHER 4.5X10X0.8				2.00
43	-	BASE_PLATE				1.00
44	-	SCREW M4X0.7 L=8				2.00
45	-	LINK_PLATE				1.00
46	-	SCREW M4 L=8				1.00
47	40234081	THREAD_TENSION_ASM	TYPE H			1.00

DISPLAY UNIT



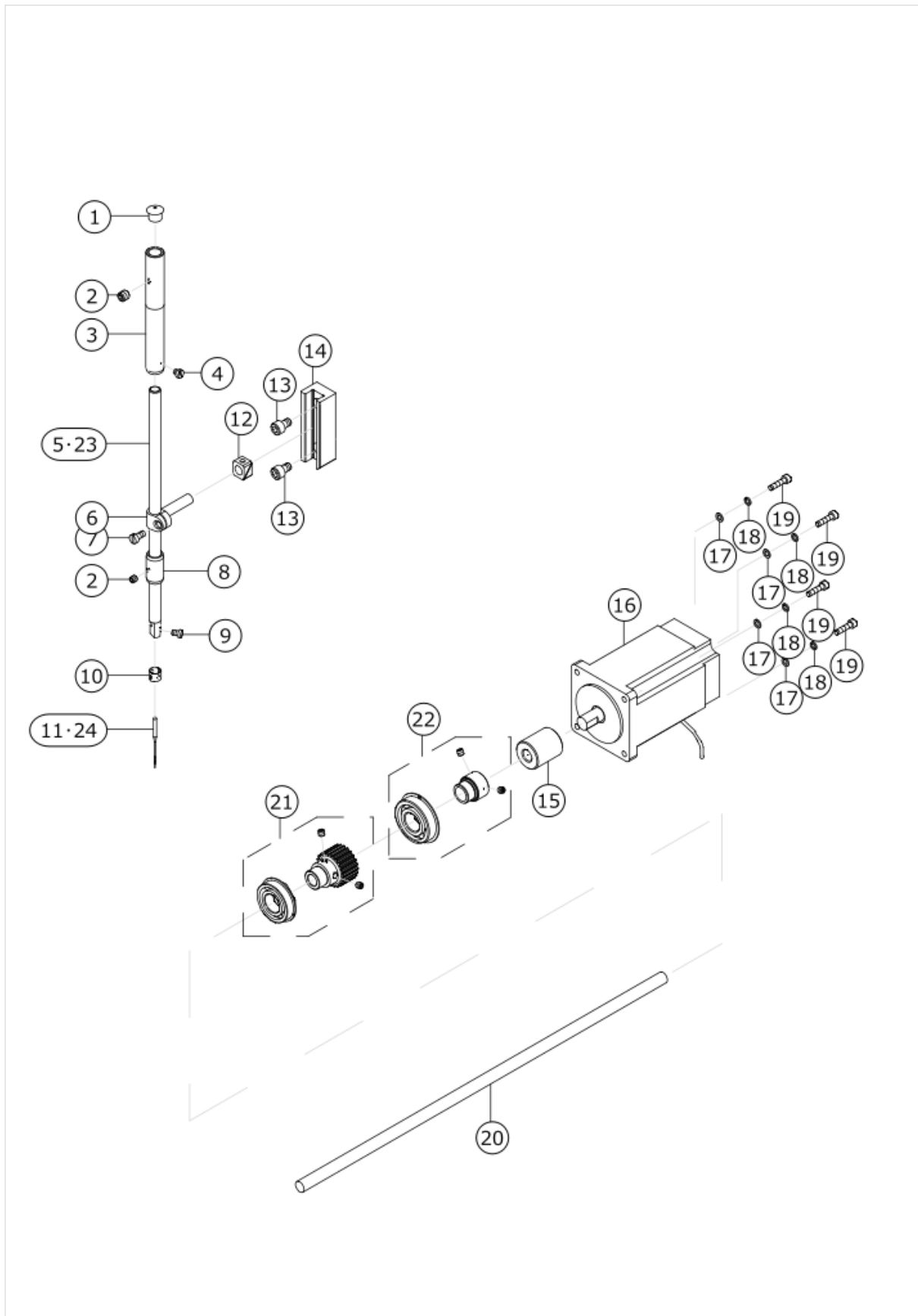
No.	品番	品名	備考	子部品	消耗品	個数
1	-	SCREW				8.00
2	40228052	PANEL_INSTALLATION_CUSHION				1.00
3	40227992	PANEL_RUBBER_CUSHION				4.00
4	40228053	PANEL_INSTALLATION_PLATE				1.00
5	40228054	PANEL				1.00

UPPER SHAFT AND PICK LINE COMPONENTS



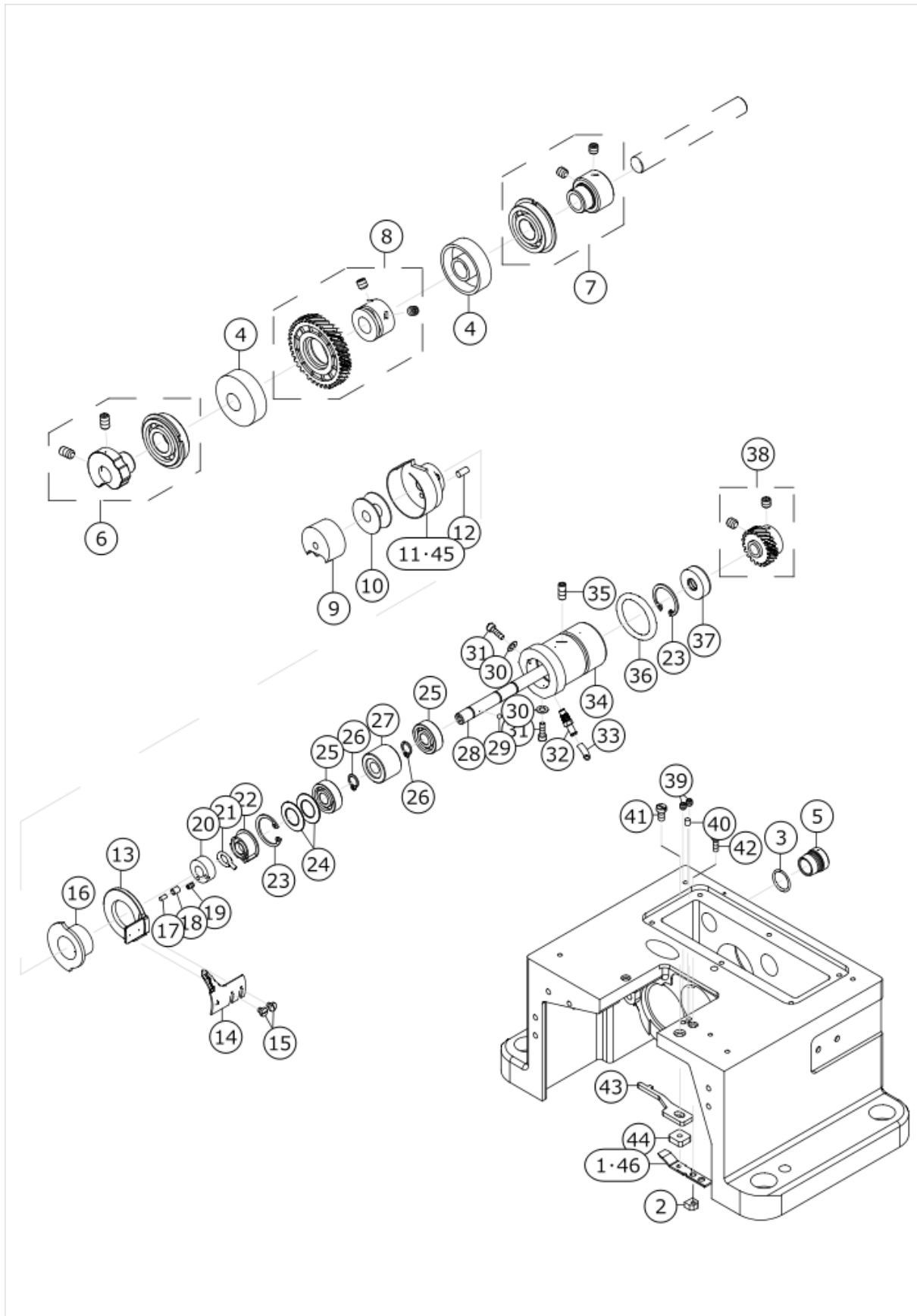
No.	品番	品名	備考	子部品	消耗品	個数
1	40228102	THREAD_TAKE_UP_CONNECT_ROD_HINGE_SHAFT				1.00
2	-	SCREW				2.00
3	-	SCREW				2.00
4	40228103	THRUST				1.00
5	40228104	THREAD_TAKE_UP_ASM				1.00
6	-	SCREW				5.00
7	40228590	COUNTER_WEIGHT_15.2				1.00
8	-	SCREW				1.00
9	-	SCREW				1.00
10	40228591	BALANCER				1.00
11	40228105	UPPER_SHAFT_GEAR				1.00
12	-	SCREW				2.00
13	-	UPPER_SHAFT_SUPPORT_BEARING				1.00
14	-	UPPER_SHAFT_SUPPORT_BEARING_BASE				1.00
15	-	WASHER				6.00
16	-	SPRING_WASHER				6.00
17	-	SCREW				6.00
18	40228592	UPPER_SHAFT_PULLEY				1.00
19	40228106	TIMING_BELT				1.00
20	40228593	UPPER_SHAFT				1.00
21	40228107	UPPER_SHAFT_FRONT_BEARING_ASM				1.00
22	40228290	UPPER_SHAFT_FRONT_REAR_BEARIN_ASM				2.00
23	40228594	UPPER_SHAFT_REAR_&_FRONT_BEARING_ASM				1.00
24	40228109	UPPER_SHAFT_REAR_BEARING_ASM				1.00
25	40228595	ECCENTRIC_CAM_CONNECT_ROD_ASM				1.00

NEEDLE BAR AND LOWER SHAFT PARTS COMPONENTS



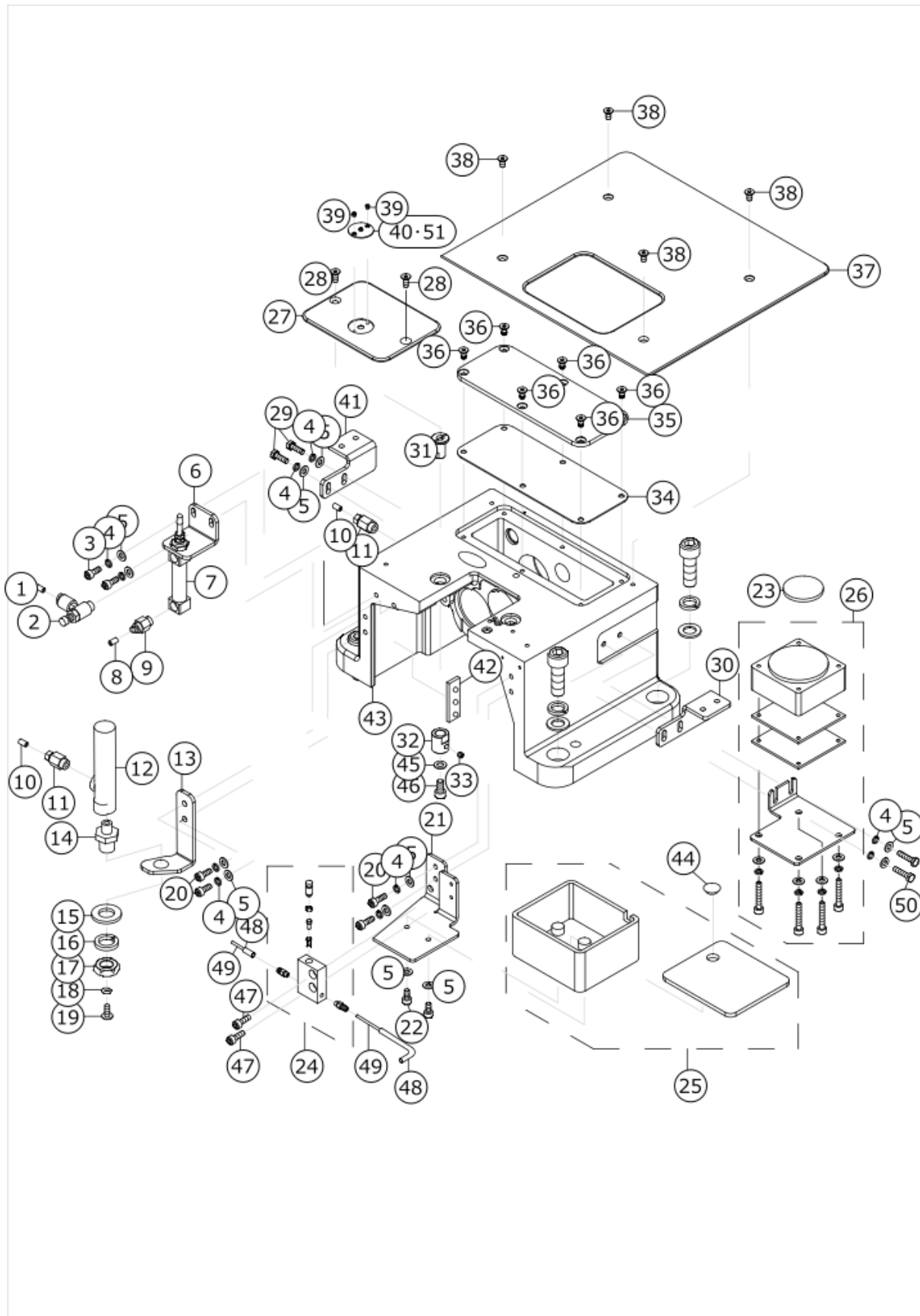
No.	品番	品名	備考	子部品	消耗品	個数
1	40228110	NEEDLE_BAR_UPPER_CAP				1.00
2	-	SCREW				1.00
3	40228111	NEEDLE_BAR_UPPER_METAL				1.00
4	-	SCREW				1.00
5	40228113	NEEDLE_BAR_1.6	TYPE S(FOR DBX1)			1.00
6	40228114	NEEDLE_BAR_CONNECTING				1.00
7	40228115	SCREW				1.00
8	40228116	NEEDLE_BAR_LOWER_BUSHING				1.00
9	40228117	SCREW				1.00
10	40228118	NEEDLE_BAR_THREAD_GUIDE				1.00
11	MDB100B0800	NEEDLE DBX1 #8				1.00
12	40228119	SLIDE_BLOCK				1.00
13	-	SCREW				2.00
14	40228120	SLIP_GROOVE				1.00
15	40228507	MAIN_SHAFT_COUPLING_ASM				1.00
16	40228121	MAIN_SHAFT_MOTOR				1.00
17	-	WASHER				4.00
18	40228598	SPRING_WASHER				4.00
19	-	SCREW				4.00
20	-	LOWER_SHAFT				1.00
21	40228599	LOWER_SHAFT_PULLEY_ASM				1.00
22	40228600	LOWER_SHAFT_REAR_BEARING_ASM				1.00
23	40228112	NEEDLE BAR 2.0	TYPE H(FOR DPX17)			1.00
24	MDP170B2100	NEEDLE DPX17 #21	TYPE H(FOR DPX17)			1.00

ROTARY SHUTTLE TRANSMISSION AND THREAD CUTTING PARTS COMPONENTS



No.	品番	品名	備考	子部品	消耗品	個数
1	40225492	FIX_KNIFE	TYPE S			1.00
2	-	NUT				1.00
3	40228140	O_RING				1.00
4	40228123	PACKING				2.00
5	40228139	EXHAUST_CASE				1.00
6	40228603	THREAD_CUTTER_CAM_ASM				1.00
7	40228604	BEARING_ASM				1.00
8	40228605	LARGE_GEAR_ASM				1.00
9	40225489	BOBBIN_CASE_ASM				1.00
10	40225494	BOBBIN				1.00
11	40225488	HOOK_ASM	TYPE S			1.00
12	40228192	OIL_WICK				1.00
13	40228130	MOVING_KNIFE_SHAKING_TABLE				1.00
14	40225493	MOVING_KNIFE				1.00
15	40228131	SCREW				2.00
16	40228132	DRIVING_POSITION_BASE				1.00
17	40228133	OIL_THREAD				1.00
18	-	TUBE				1.00
19	-	SCREW				1.00
20	-	MOVING_FORT_CASE				1.00
21	40228134	COTTON_OIL_WICK				1.00
22	-	STATIC_FORT_CASE				1.00
23	-	E_BEARING				2.00
24	-	SPRING_WASHER				2.00
25	-	BEARING				1.00
26	-	AXIAL_ELASTIC_THRUST				2.00
27	40228601	CASE				1.00
28	-	HOOK_SHAFT				1.00
29	-	BALL_1.5				1.00
30	-	WASHER				2.00
31	-	SCREW				2.00
32	-	TUBE				1.00
33	-	JOINT				1.00
34	40228602	HOOK_SHAFT_METAL				1.00
35	-	SCREW				1.00
36	-	HOOK_SHAFT_METAL_O_RING				1.00
37	-	PACKING				1.00
38	40228606	HOOK_SHAFT_GEAR_ASM				1.00
39	-	SCREW				2.00
40	40228135	SCREW				1.00
41	-	SCREW				1.00
42	40228136	SCREW				1.00
43	40228137	HOOK_POSITION_HOOK 2.6				1.00
44	40228138	NUT				1.00
45	40234079	HOOK_ASM	TYPE H			1.00
46	40234080	STATIC KNIFE	TYPE H			1.00

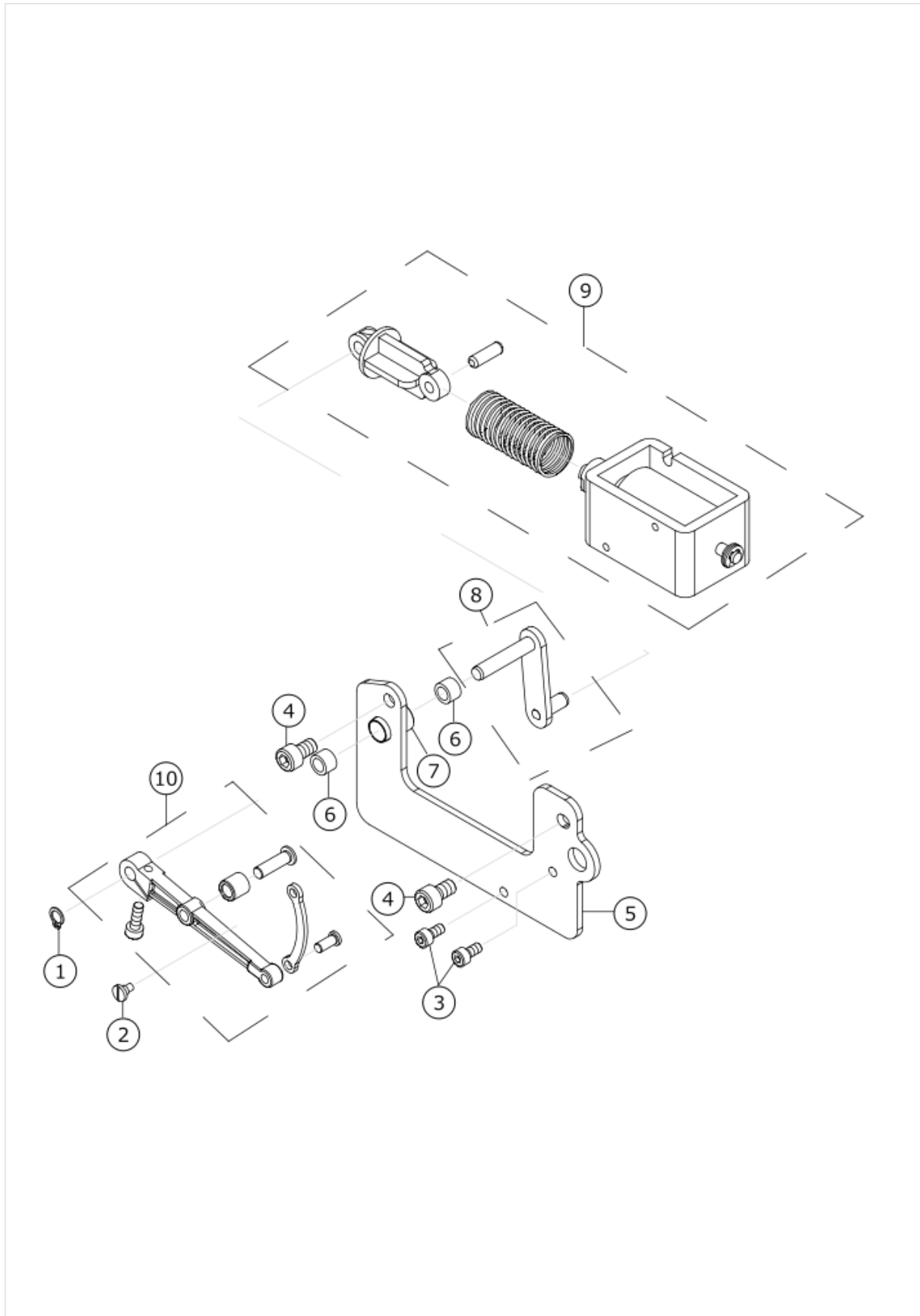
OIL SUPPLY AND NEEDLE PLATE PARTS OF ROTARY COMPONENTS



No.	品番	品名	備考	子部品	消耗品	個数
1	-	RAISING_PLATE_UPPER_PIPE				1.00
2	40228142	CYLINDER_JOINT				1.00
3	-	SCREW				2.00
4	-	SPRING_WASHER				10.00
5	-	WASHER				12.00
6	40228143	CYLINDER_PLATE				1.00
7	40228144	RAISING_PLATE_CYLINDER				1.00
8	-	RAISING_PLATE_LOWER_PIPE				1.00
9	-	CYLINDER_JOINT				1.00
10	-	COPPER_PIPE				1.00
11	40228145	COPPER_PIPE_JOINT_ASM				2.00
12	40228146	OIL_INSTRUCTION_PLATE_ASM				1.00
13	40228147	OIL_INSTRUCTION_PLATE				1.00
14	40228148	OUTER_OIL_INSTRUCTION_SCREW				1.00
15	40228149	WASHER				1.00
16	40228150	SPRING_WASHER				1.00
17	40228151	NUT				1.00
18	40228152	O_RING				1.00
19	-	SCREW				1.00
20	-	SCREW				2.00
21	40228154	OIL_TRAY_FITTING_PLATE				1.00
22	-	SCREW				2.00
23	40228361	IC_CARD				1.00
24	40228166	REFUELING_ADJUSTMENT_ASM				1.00
25	40228167	OIL_TRAY_ASM				1.00
26	40228608	RFID_UNIT				1.00
27	40228168	POLICY_BOARD				1.00
28	40228609	SCREW				2.00
29	-	SCREW				2.00
30	40228155	HOOK_BASE_TABLE_RIGHT_ADJUST_PLATE				1.00
31	40228169	POLICY_BOARD_ADJUST_CONNEC_CASE				2.00
32	40228170	POLICY_BOARD_ADJUST_CONNEC_PRESS_CASE				2.00
33	-	SCREW				2.00
34	40228156	GEAR_BOX_UPPER_COVER_CUSHION				1.00
35	40228157	GEAR_BOX_UPPER_COVER				1.00
36	-	SCREW				6.00
37	40228158	HOOK_COVER				1.00
38	40228159	SCREW				4.00
39	40228160	SCREW				2.00
40	40225486	NEEDLE_PLATE_(SMALL)_D=1.6	TYPE S			1.00
41	40228161	HOOK_BASE_TABLE_LEFT_ADJUST_PLATE				1.00
42	40228162	LED_LAMP				1.00
43	-	HOOK_BASE				1.00
44	-	OIL_TRAY_RUBBER_STOPPER				1.00
45	40228171	WASHER				2.00
46	-	SCREW				2.00
47	-	SCREW				2.00
48	-	TUBE				2.00
49	-	COTTON_OIL_WICK				2.00
50	-	SCREW				2.00

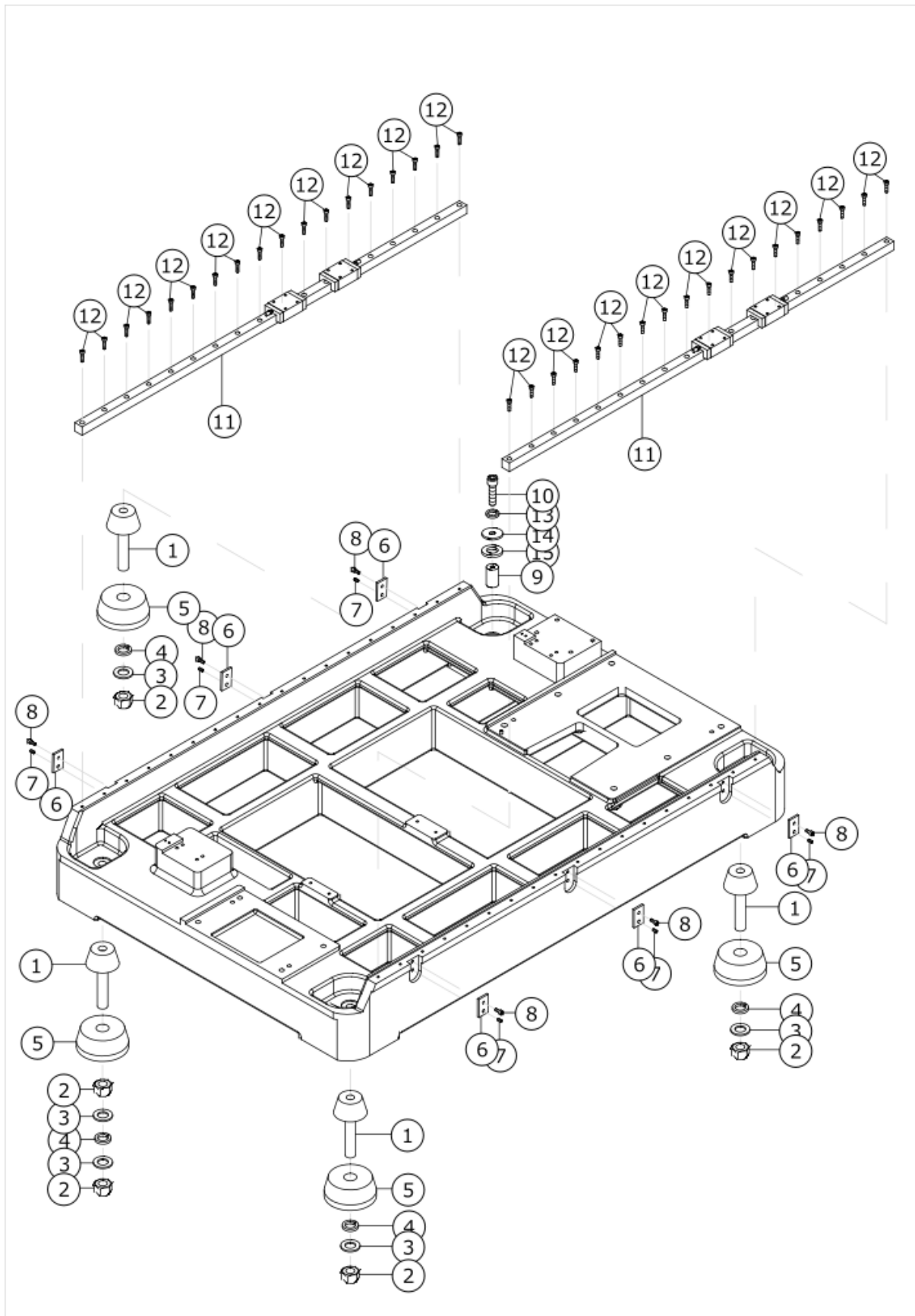
51	40225498	NEEDLE_PLATE_(SMALL)_D2.4	TYPE H			1.00
----	----------	---------------------------	--------	--	--	------

WIRE CUT ELECTROMAGNETIC COMPONENTS



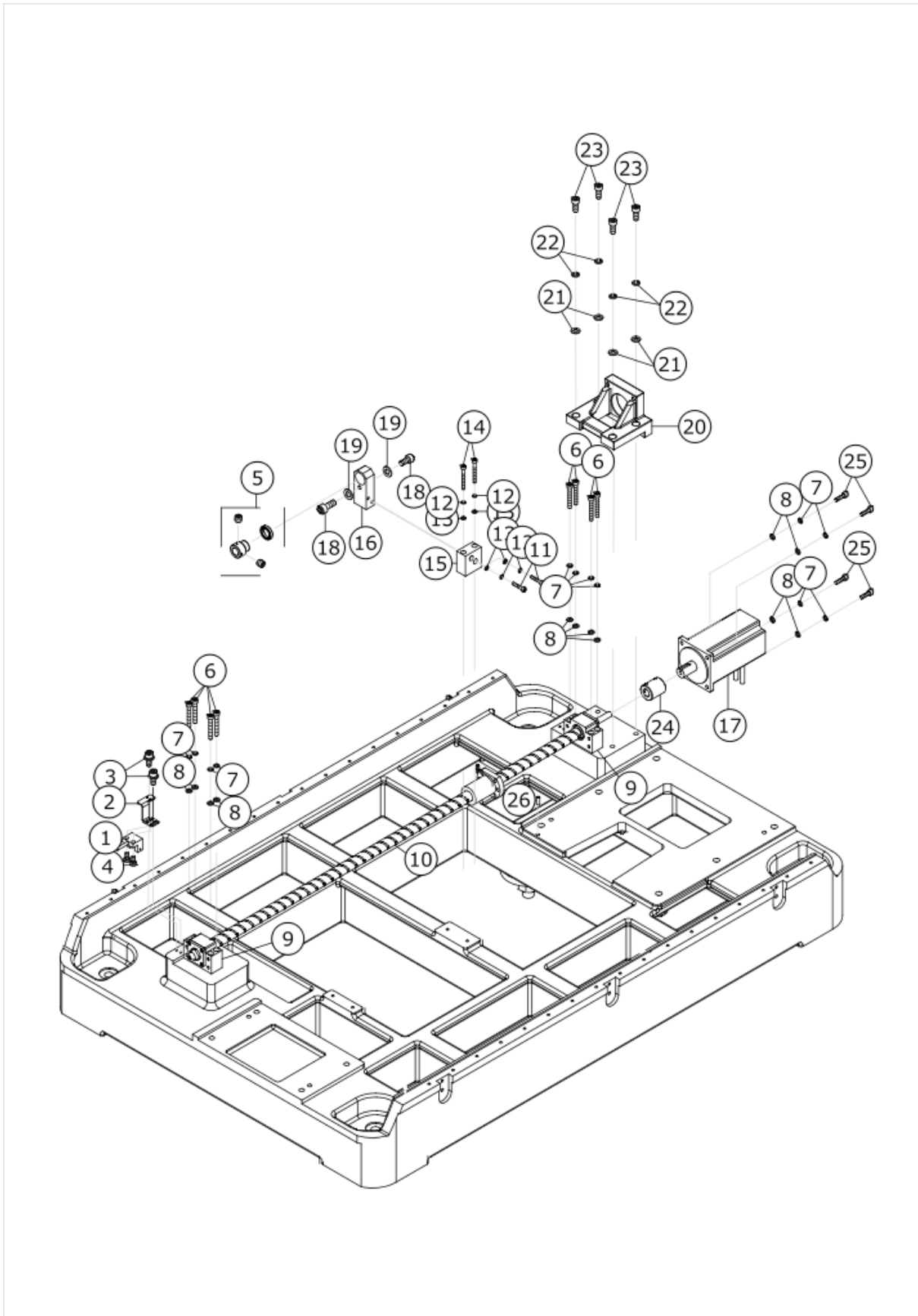
No.	品番	品名	備考	子部品	消耗品	個数
1	40228172	AXIAL_THRUST				1.00
2	40228173	SCREW				1.00
3	-	SCREW				2.00
4	-	SCREW				2.00
5	40228174	SUPPORT_PLATE				1.00
6	40228175	BEARING				2.00
7	-	CASE				1.00
8	40228176	CONNECTING_ROD_PARTS				1.00
9	40228177	THREAD_CUTTER_SOLENOID_PARTS				1.00
10	40228178	THREAD_CUTTER_CONNECTING_ROD_PARTS				1.00

Y BASE UNIT



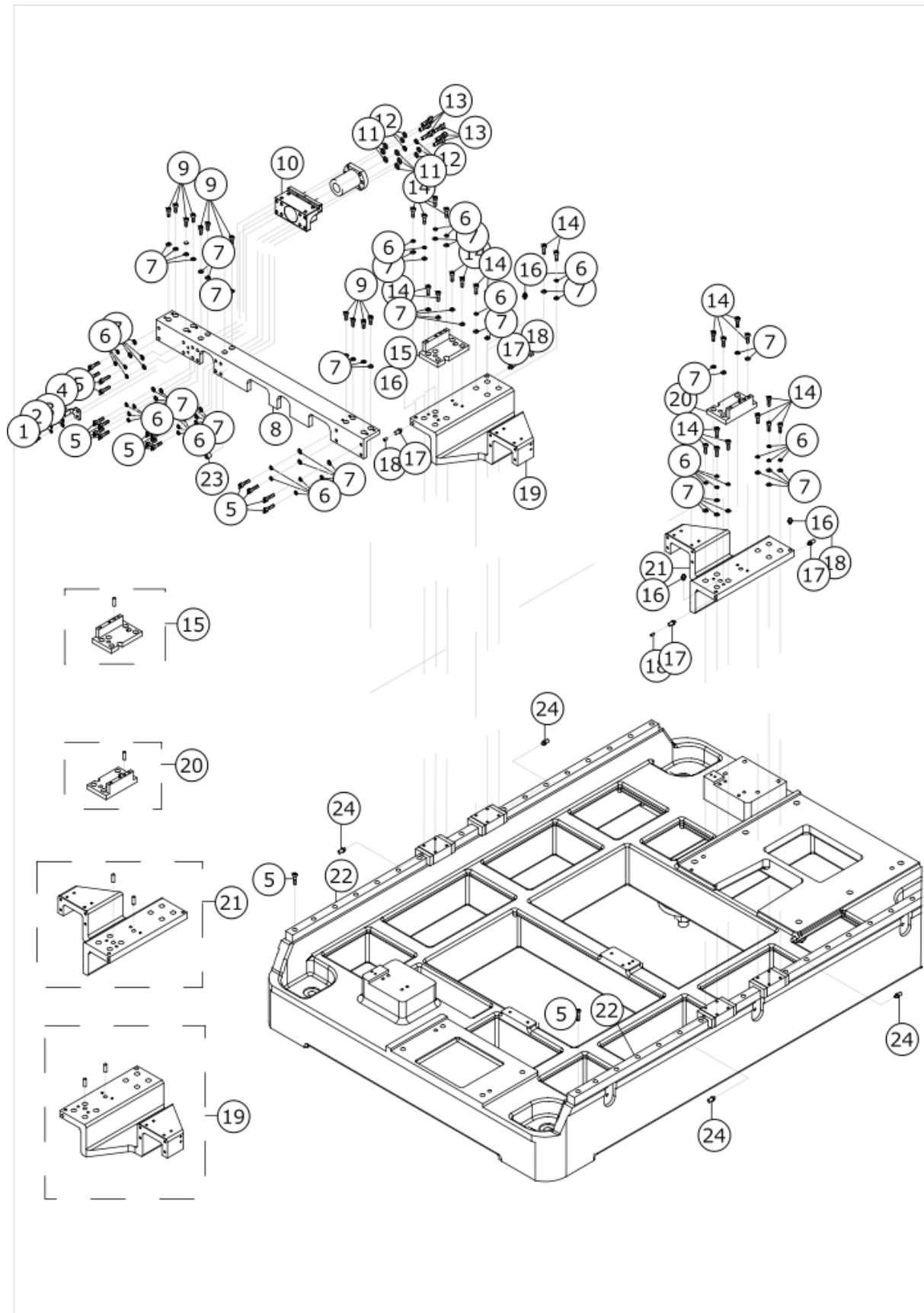
No.	品番	品名	備考	子部品	消耗品	個数
1	40228179	BASE_SITTING_LEG				4.00
2	-	NUT				5.00
3	-	WASHER				6.00
4	-	SPRING_WASHER				4.00
5	40228180	SUPPORT_SEAT				4.00
6	40228181	GUIDE RAIL_CLAMP				6.00
7	40228182	SCREW				6.00
8	40228183	SCREW				6.00
9	40228186	COUPLING_COVER				4.00
10	-	SCREW				2.00
11	40228184	Y_AXIS_RAIL_ASM				2.00
12	40228185	SCREW				36.00
13	-	SPRING_WASHER				4.00
14	-	WASHER				4.00
15	-	BED_VIBRATION_CONTROL_SEAT				8.00

Y SCREW ROD MOTOR UNIT



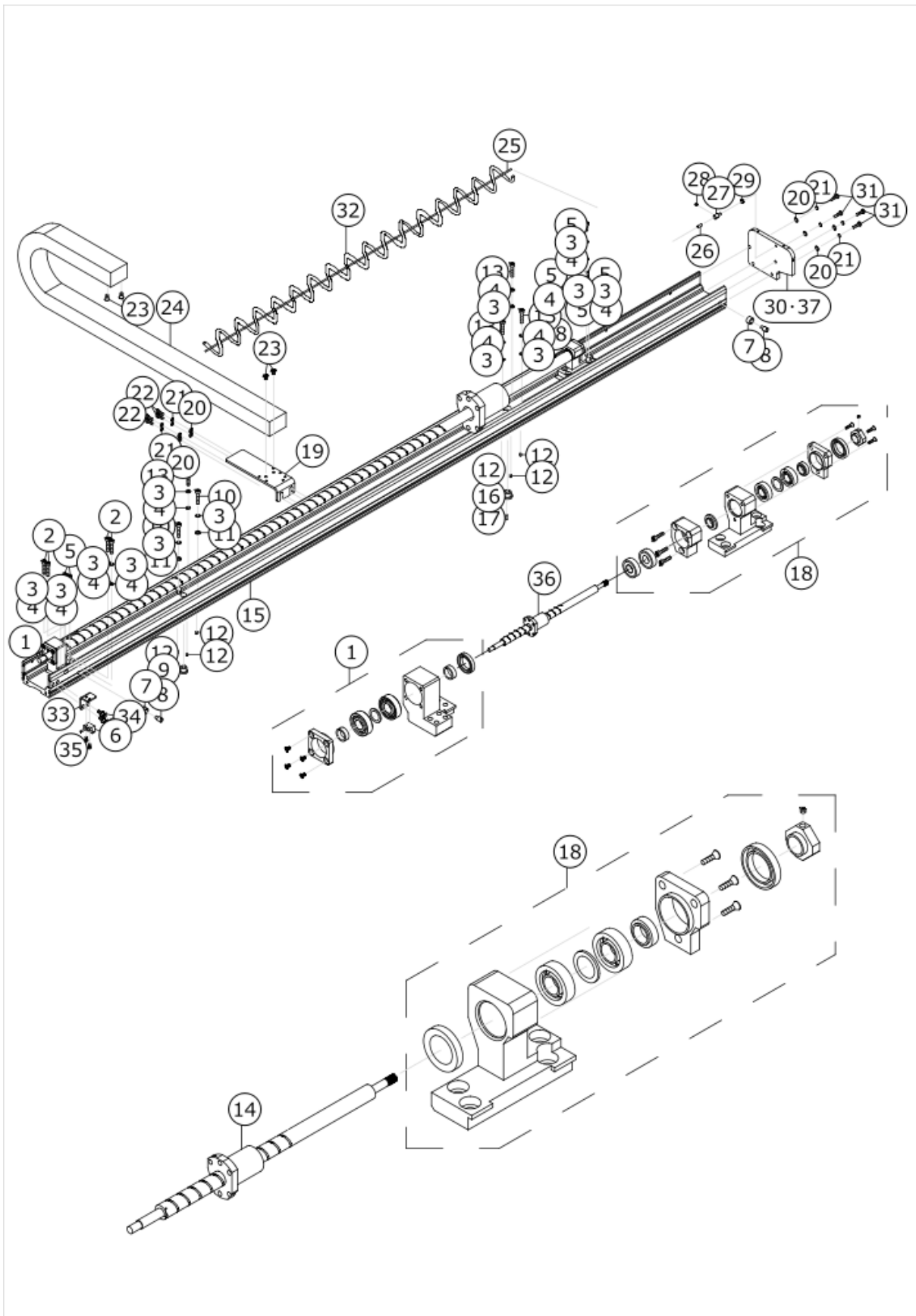
No.	品番	品名	備考	子部品	消耗品	個数
1	40228187	Y_AXIS_POSITION_SENSOR				1.00
2	40228188	Y_AXIS_SENSOR_FRONT_BASE				1.00
3	-	SCREW				2.00
4	-	SCREW				2.00
5	40228189	AUXILIARY_BEARING_ASM				1.00
6	-	SCREW				8.00
7	-	SPRING_WASHER				8.00
8	-	WASHER				8.00
9	40228610	Y_AXIS_FIXED_SEAT_ASM				2.00
10	40228190	Y_AXIS_BALL_SCREW_ASM				1.00
11	-	SCREW				2.00
12	-	SPRING_WASHER				4.00
13	-	WASHER				4.00
14	-	SCREW				2.00
15	-	LOWER_AXIS_AUXILIARY_ADJUSTMENT_SEAT				1.00
16	-	LOWER_SHAFT_SUPPORT_BEARING_SEAT				1.00
17	40228191	Y_AXIS_MOTOR				1.00
18	-	SCREW				2.00
19	-	WASHER				2.00
20	-	Y_AXIS_MOTOR_SEAT				1.00
21	-	WASHER				4.00
22	-	SPRING_WASHER				4.00
23	-	SCREW				4.00
24	40228611	Y_AXIS_COUPLING				1.00
25	-	CASE_POSITION_PIN				1.00
26	-	SCREW				4.00

Y CONNECTION SEAT COMPONENTS



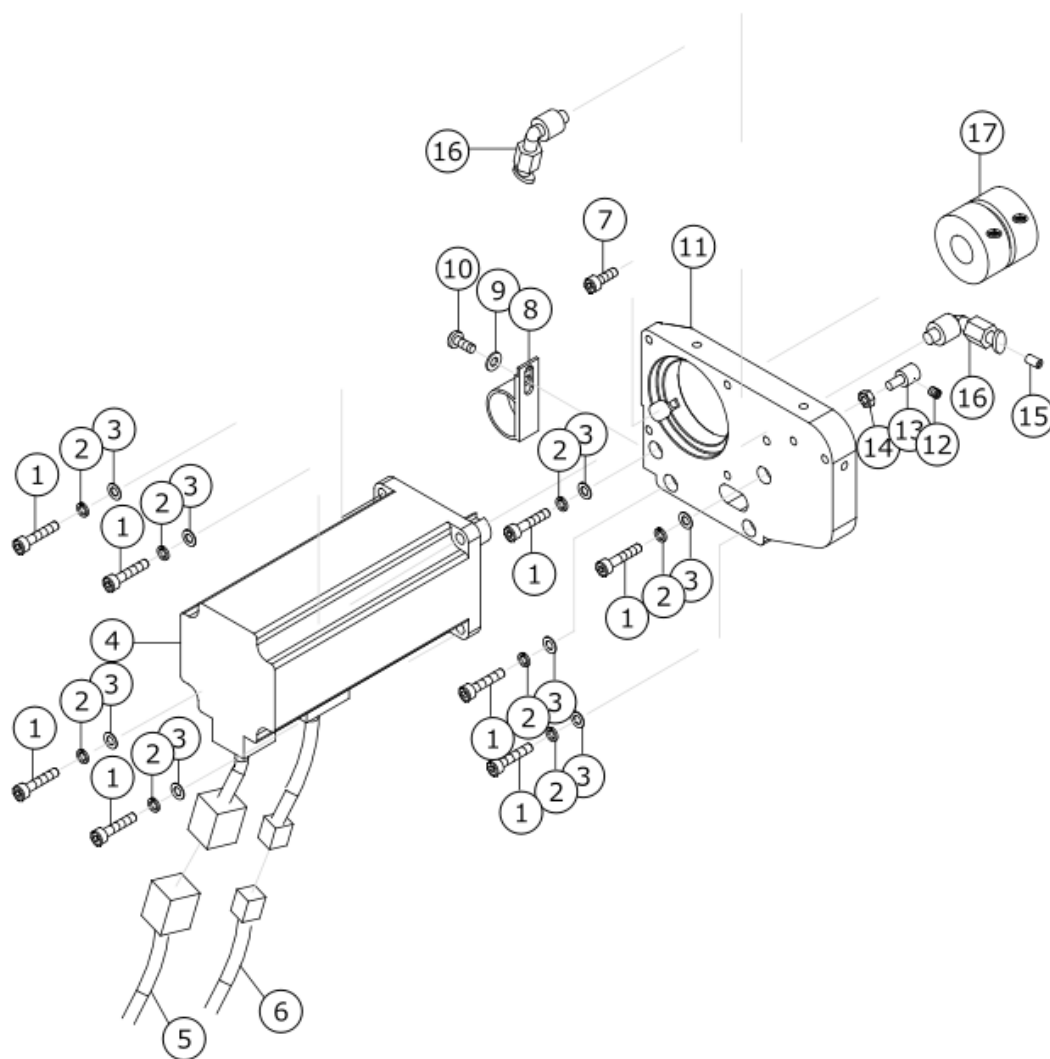
No.	品番	品名	備考	子部品	消耗品	個数
1	-	SCREW				2.00
2	-	SPRING_WASHER				2.00
3	-	WASHER				2.00
4	40228192	Y_AXIS_SENSOR_FRONT_SENSING_BOARD				1.00
5	-	SCREW				52.00
6	-	SPRING_WASHER				32.00
7	-	WASHER				52.00
8	-	Y-AXIS_BALL_SCREW_CONNECTION				1.00
9	-	SCREW				12.00
10	-	Y_AXIS_NUT_CONNECTION				1.00
11	-	WASHER				6.00
12	-	SPRING_WASHER				6.00
13	-	SCREW				6.00
14	-	SCREW				28.00
15	40228612	DRIVE_LEFT_SUPPORT_SEAT_ASM				1.00
16	-	REFUELING_NOZZLE				4.00
17	-	OIL_PIPE_JOINT				4.00
18	-	OIL_PIPE				4.00
19	40228613	Y_AXIS_SLIDE_LEFT_CONNECTION_ASM				1.00
20	40228614	X_AXIS_DRIVE_RIGHT_SUPPORT_ASM				1.00
21	40228615	Y_AXIS_SLIDE_RIGHT_CONNECTION_ASM				1.00
22	-	Y_AXIS_SLIP_ASM				1.00
23	-	Y_AXIS_POSITION_COVER				2.00
24	40228193	OIL_PIPE_JOINT				4.00

X BASE UNIT



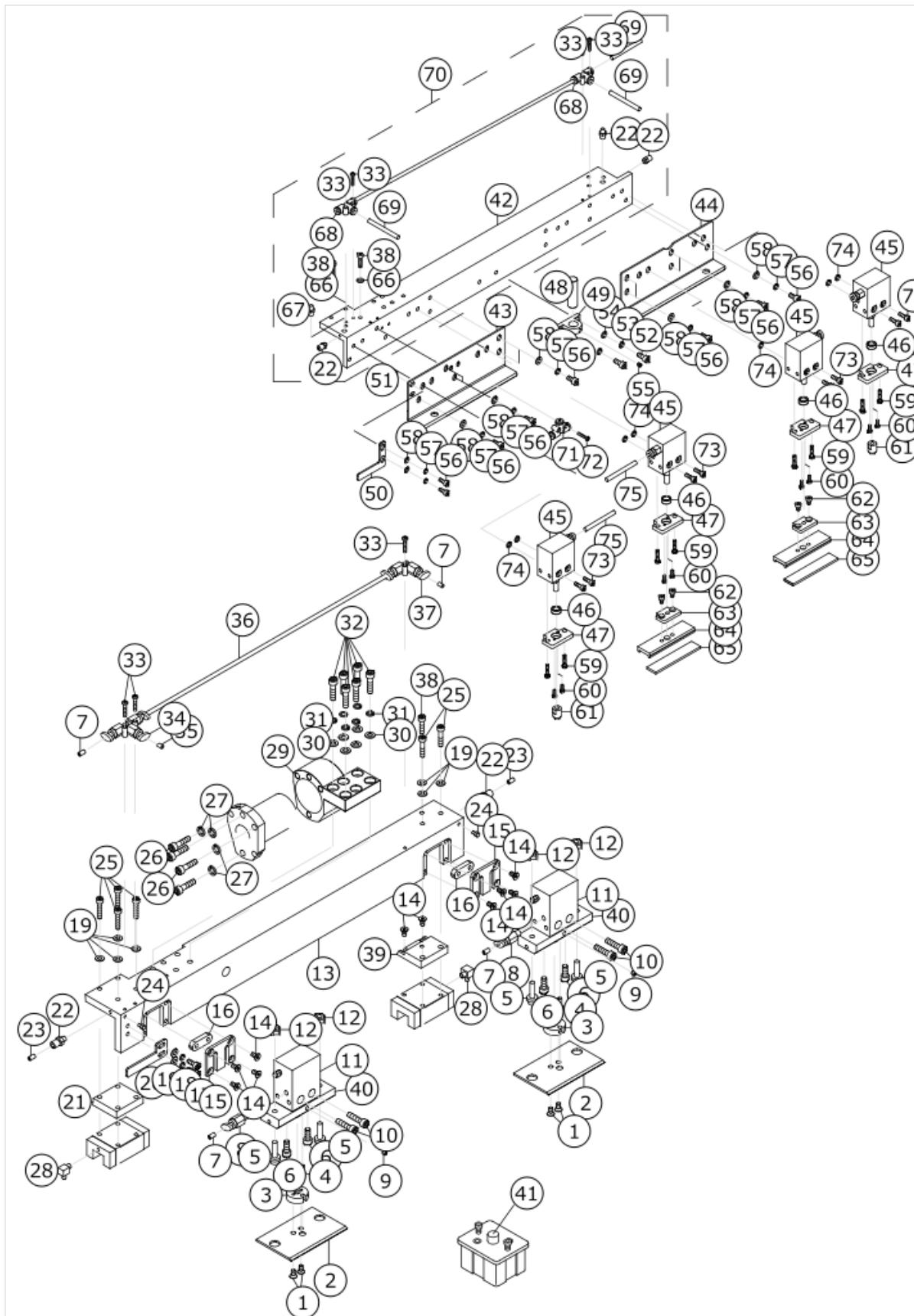
No.	品番	品名	備考	子部品	消耗品	個数
1	40228616	X_AXIS_LEFT_FIXED_ASM				1.00
2	-	SCREW				2.00
3	-	SPRING_WASHER				7.00
4	-	WASHER				7.00
5	-	SCREW				5.00
6	40228194	X_AXIS_POSITION_SENSOR				1.00
7	-	X_AXIS_RUBBER_SEAT				2.00
8	-	SCREW				2.00
9	-	LEFT_PIN_CASE				1.00
10	-	SCREW				8.00
11	-	SPRING_WASHER				8.00
12	-	SCREW_FIXED_RUBBER_COLUMN				6.00
13	-	SCREW				2.00
14	40228197	X_AXIS_BALL_SCREW_ASM_(120)				1.00
15	-	X_AXIS_DRIVE_BASE				1.00
16	-	RIGHT_PIN_CASE				1.00
17	-	PIN				1.00
18	40228617	X_AXIS_FIXED_SEAT_ASM				1.00
19	-	CABLE_LANE_LOWER_SUPPORT				1.00
20	-	WASHER				16.00
21	-	SPRING_WASHER				16.00
22	-	SCREW				4.00
23	-	SCREW				4.00
24	40228199	CABLE_LANE_25X38				1.00
25	-	TRACHEAL_FIXATION_THREAD				1.00
26	-	TRACHEAL_FIXED_TRACHEA_COVER				2.00
27	-	X_AXIS_BRONCHIAL_COLUMN_JOINT				2.00
28	-	SCREW				1.00
29	-	NUT				1.00
30	-	X_AXIS_DRIVE_SIDE_PLATE	TYPE S			1.00
31	-	SCREW				4.00
32	40228200	HELICAL_TRACHEA				1.00
33	40228203	X_AXIS_POSITION_SENSOR_BASE				1.00
34	-	SCREW				2.00
35	-	SCREW				1.00
36	40228204	X AXIS BALL SCREW ASM (120)				1.00
37	40235605	X_FEEDED_SIDE_COVER	TYPE H			1.00

X MOTOR COMPONENTS



No.	品番	品名	備考	子部品	消耗品	個数
1	-	SCREW				8.00
2	-	SPRING_WASHER				8.00
3	-	WASHER				8.00
4	40228205	X_AXIS_MOTOR				1.00
5	40228206	X_AXIS_MOTOR_COMMUNICATION_CABLE(INPUT)				1.00
6	40228207	X_AXIS_MOTOR_COMMUNICATION_CABLE(OUTPUT)				1.00
7	-	SCREW				1.00
8	40228211	CABLE_BAND				1.00
9	-	WASHER				1.00
10	-	SCREW				1.00
11	40228619	X_AXIS_MOTOR_BASE				1.00
12	-	SCREW				1.00
13	-	X_AXIS_BRONCHIAL_COLUMN_JOINT				1.00
14	-	NUT				1.00
15	-	AIR_GUN_TUBE				1.00
16	40228210	L_TYPE_JOINT				2.00
17	40228618	X_AXIS_COUPLING				1.00

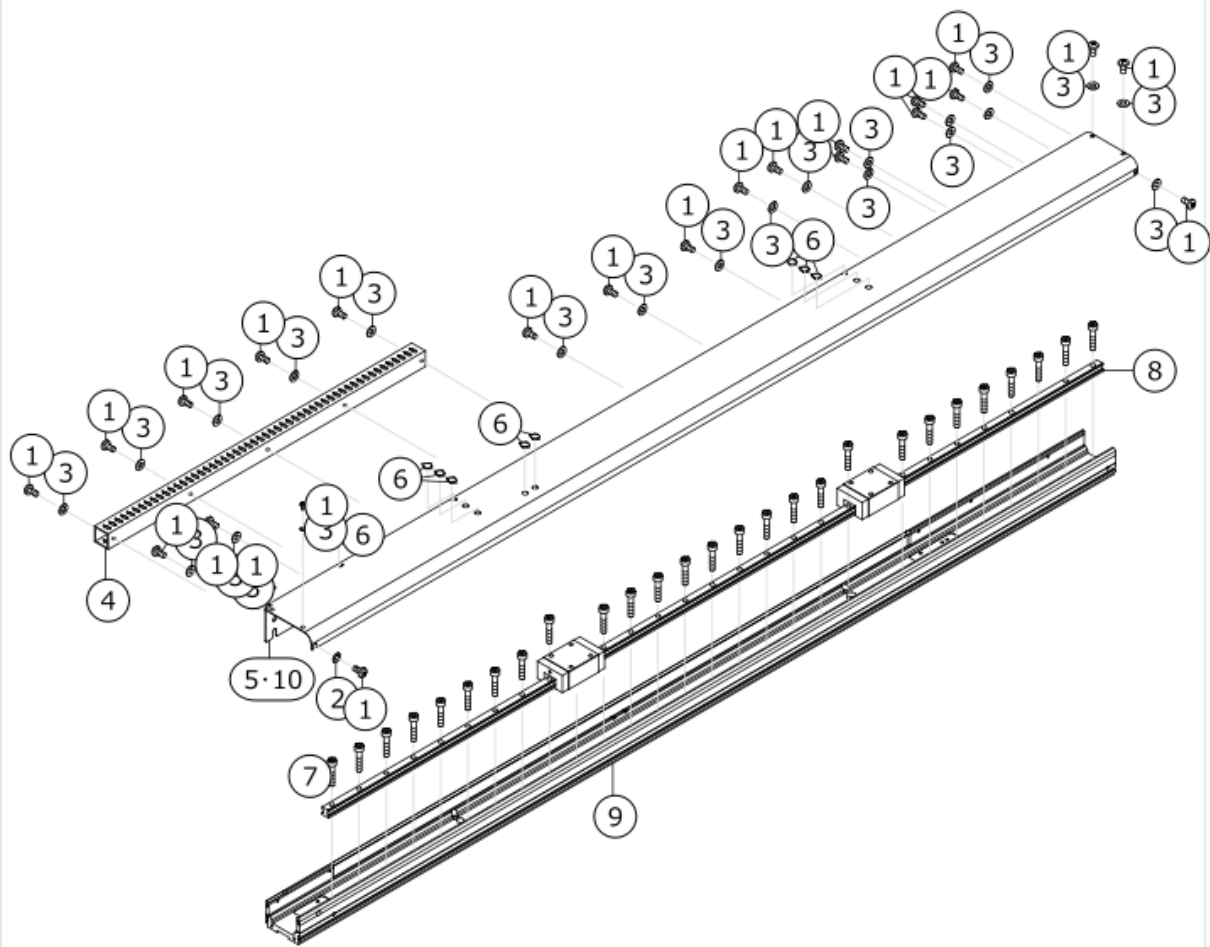
X PRESSURE PLATE COMPONENTS



No.	品番	品名	備考	子部品	消耗品	個数
1	-	SCREW				4.00
2	40228212	CLAMP				2.00
3	40228213	CYLINDER_CONNECTING_COLUMN				2.00
4	40228620	PIN				2.00
5	-	PUTTER_POSITION_PILLAR				4.00
6	-	SCREW				4.00
7	-	TRACHEA				2.00
8	-	JOINT				2.00
9	-	SCREW				2.00
10	-	SCREW				4.00
11	40228214	CLAMP_CYLINDER	TYPE S			2.00
12	-	NUT				4.00
13	40228621	X_AXIS_SLIDE_CONNECTING_PLATE	TYPE S			1.00
14	-	SCREW				10.00
15	40228215	X_AXIS_CYLINDER_ADJUSTMENT_PLATE				2.00
16	40228216	X_AXIS_CYLINDER_FIXING_PLATE				2.00
17	-	SCREW				2.00
18	-	SPRING_WASHER				2.00
19	-	WASHER				9.00
20	40228217	X_AXIS_POSITION_SENSOR_PIECE				1.00
21	-	LEFT_BLOCK				1.00
22	40228218	TUBE_JOINT				5.00
23	-	TUBE_I				2.00
24	-	OIL_NOZZLE				2.00
25	-	SCREW				6.00
26	-	SCREW				4.00
27	40228219	WASHER				4.00
28	-	TUBE_JOINT				2.00
29	40228622	CONNECTING_SEAT				1.00
30	-	WASHER				6.00
31	-	SPRING_WASHER				6.00
32	-	SCREW				6.00
33	-	SCREW				7.00
34	40228220	T_TYPE_TRIPLE_CONNECTION				1.00
35	-	AIR_GUN_TUBE				1.00
36	-	TRACHEA_(100)				1.00
37	40228221	L-TYPE_DOUBLE_CONNECTION				1.00
38	-	SCREW				3.00
39	-	RIGHT_BLOCK				1.00
40	-	CYLINDER_CONNECTING_PLATE				2.00
41	40234603	LIFT_BOSS				2.00
42	40236748	CLAMP_BLACKET	TYPE H			1.00
43	40234756	LEFT_CLAMP_BASE	TYPE H			1.00
44	40234757	RIGHT_CLAMP_BASE	TYPE H			1.00
45	40236631	CYLINDER	TYPE H			4.00
46	40236391	CYLINDER_STOPPER_BUSHING	TYPE H			4.00
47	40234759	CYLINDER_STOPPER_PLATE	TYPE H			4.00
48	-	BANKING_PIN	TYPE H			1.00
49	-	BANKING_PIN_CONNECTING	TYPE H			1.00
50	-	X_AXIS_POSITION_SENSOR_PIECE				1.00

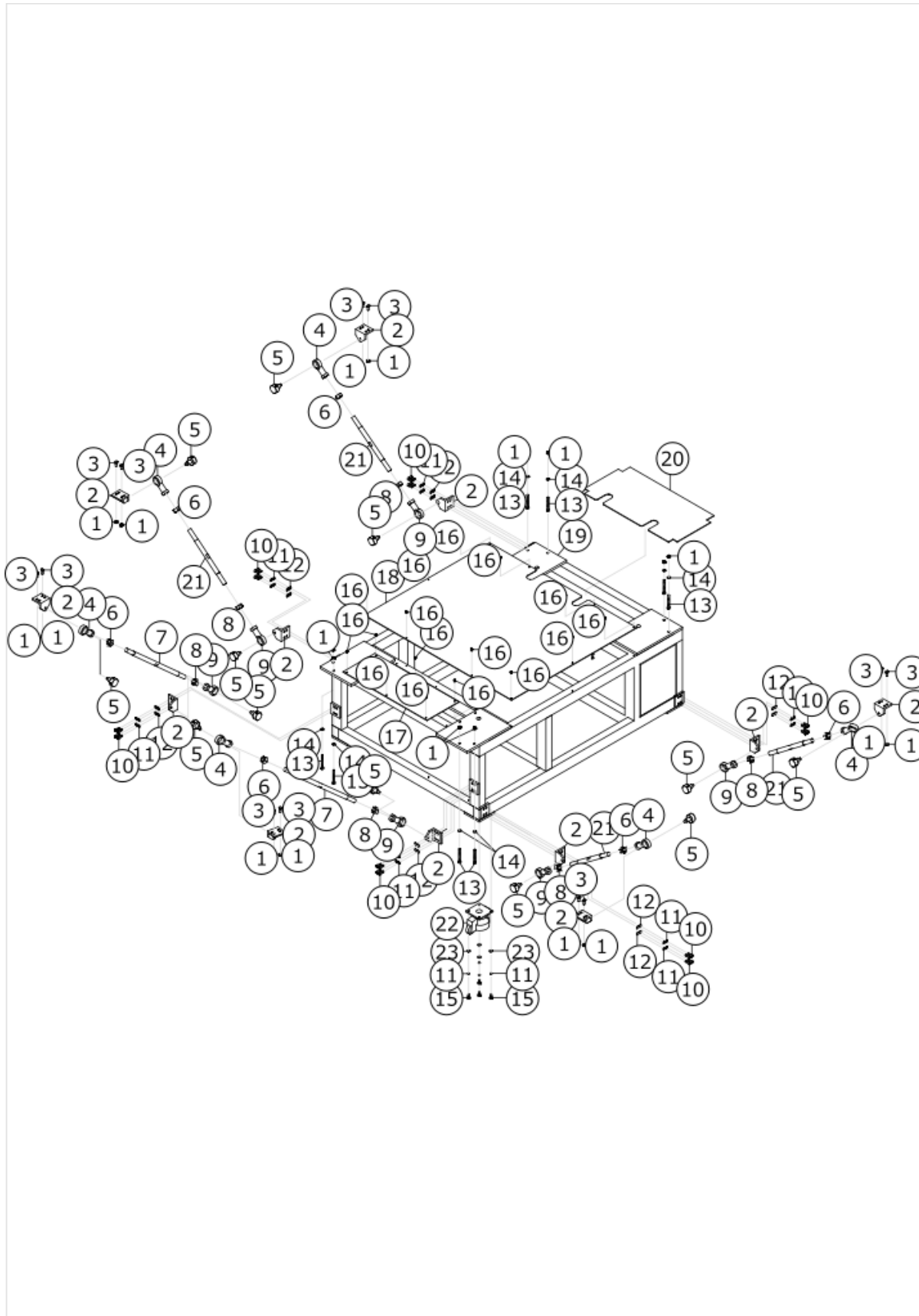
51	-	BREAKET				1.00
52	-	SCREW				2.00
53	-	SPRING_WASHER				2.00
54	-	WASHER				2.00
55	-	SCREW				1.00
56	-	SCREW				12.00
57	-	SPRING_WASHER				12.00
58	-	WASHER				12.00
59	-	SCREW				8.00
60	-	SCREW				8.00
61	-	PIN				2.00
62	-	SCREW				4.00
63	-	PLATE_CONNECTING_PLATE				2.00
64	-	CYLINDER_SHORT_PLATE				2.00
65	-	PRESSER_BLOCK				2.00
66	-	WASHER		*		2.00
67	-	OIL NOZZLE		*		1.00
68	-	T TYPE TRIPLE CONNECTION		*		2.00
69	-	AIR TUBE		*		3.00
70	40228634	12080_H_CLAMP_ASSY				1.00
71	-	T TYPE TRIPLE CONNECTION				1.00
72	-	SCREW				2.00
73	-	SCREW				8.00
74	-	WASHER				8.00
75	-	AIR TUBE				2.00

X SHELL PARTS COMPONENTS



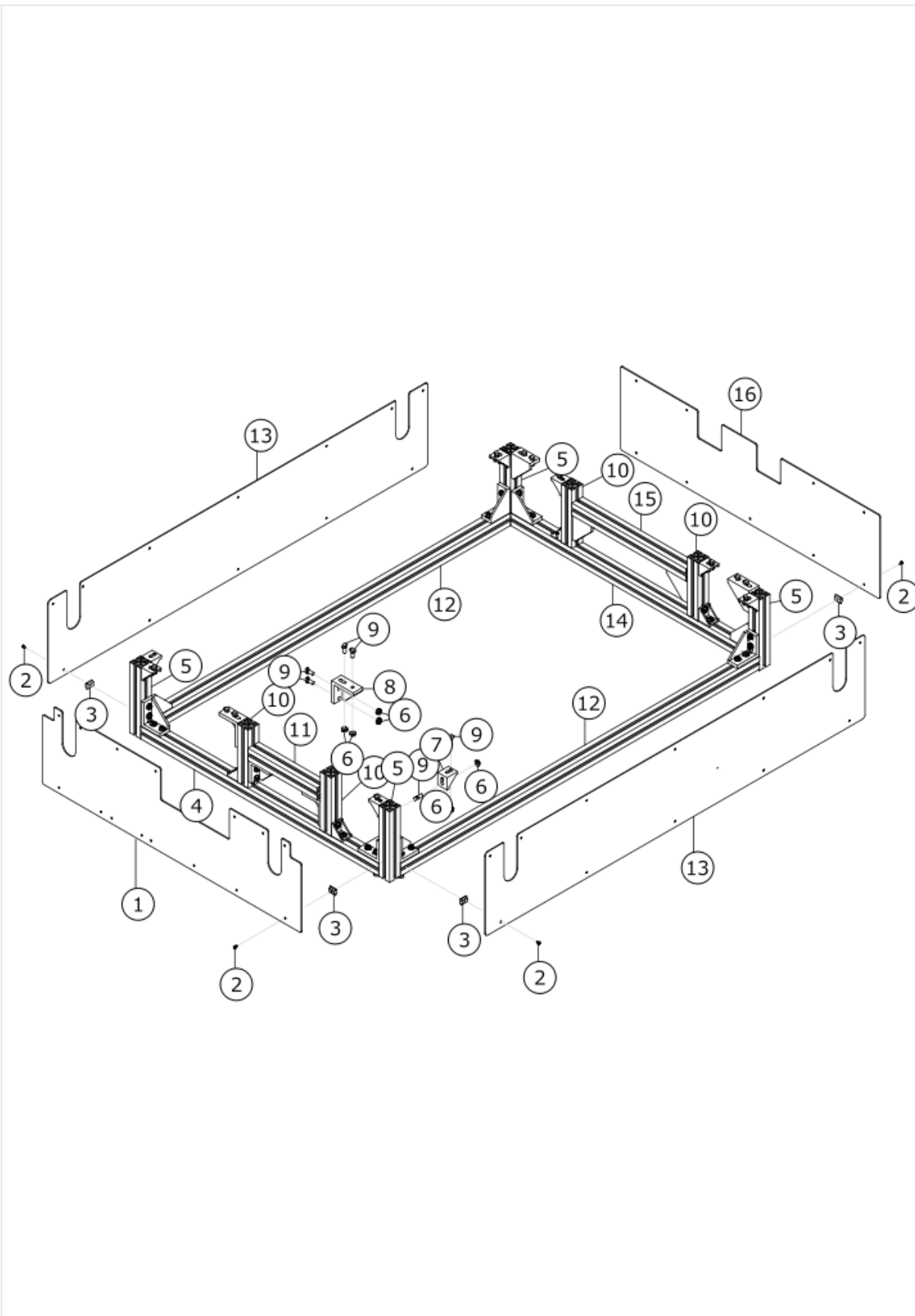
No.	品番	品名	備考	子部品	消耗品	個数
1	-	SCREW				24.00
2	-	WASHER				1.00
3	-	WASHER				23.00
4	40228222	DUCT				1.00
5	-	X_AXIS_DRIVE_COVER_(120)	TYPE S			1.00
6	-	X_AXIS_DRIVE_COVER_STOPPER				9.00
7	40228223	SCREW				26.00
8	40228224	X_AXIS_RAIL_ASM_(120)				1.00
9	40228623	X_AXIS_DRIVE_BASE_(120)				1.00
10	40235606	X_FEEDED_COVER	TYPE H			1.00

PACK UNIT



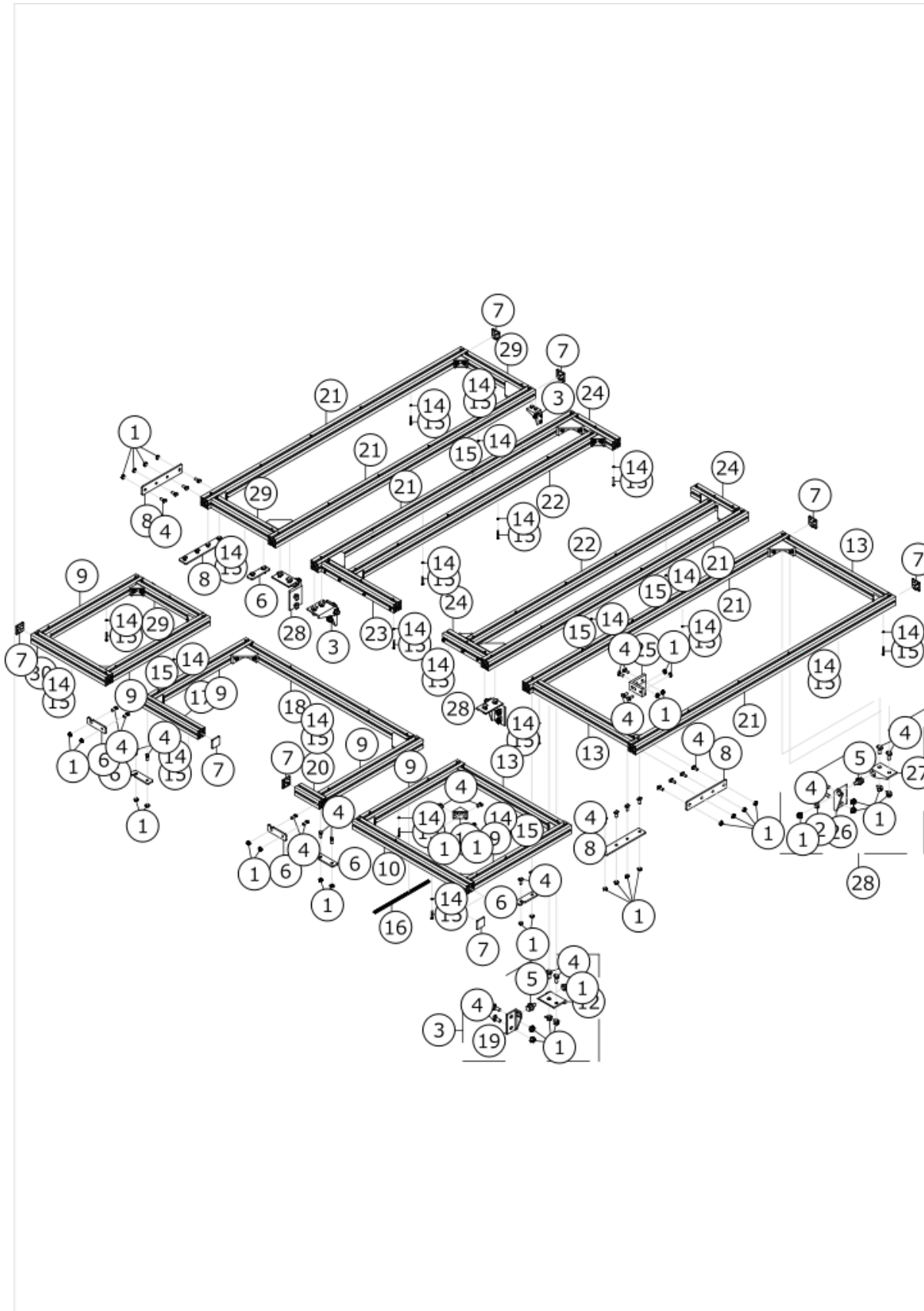
No.	品番	品名	備考	子部品	消耗品	個数
1	-	NUT_M8				20.00
2	40228225	ALUMINUM_FRAME_ROTATING_SUPPORT				12.00
3	-	SCREW_M8X20				12.00
4	-	JOINT				6.00
5	40228226	SCREW				6.00
6	-	NUT				6.00
7	-	SCREW				2.00
8	40228227	NUT				6.00
9	40228228	JOINT				6.00
10	-	SCREW				24.00
11	-	SPRING_WASHER				40.00
12	-	WASHER				24.00
13	-	SCREW				8.00
14	-	WASHER				8.00
15	-	SCREW				16.00
16	-	SCREW				16.00
17	40228624	MACHINE_FRONT_COVER				1.00
18	40228625	MEDIUM_COVER				1.00
19	40228626	MACHINE_RACK				1.00
20	-	MACHINE_REAR_COVER				1.00
21	40228229	SCREW				4.00
22	-	CASTER				4.00
23	-	WASHER				16.00

FRAME CONNECTION ALUMINUM PARTS COMPONENTS



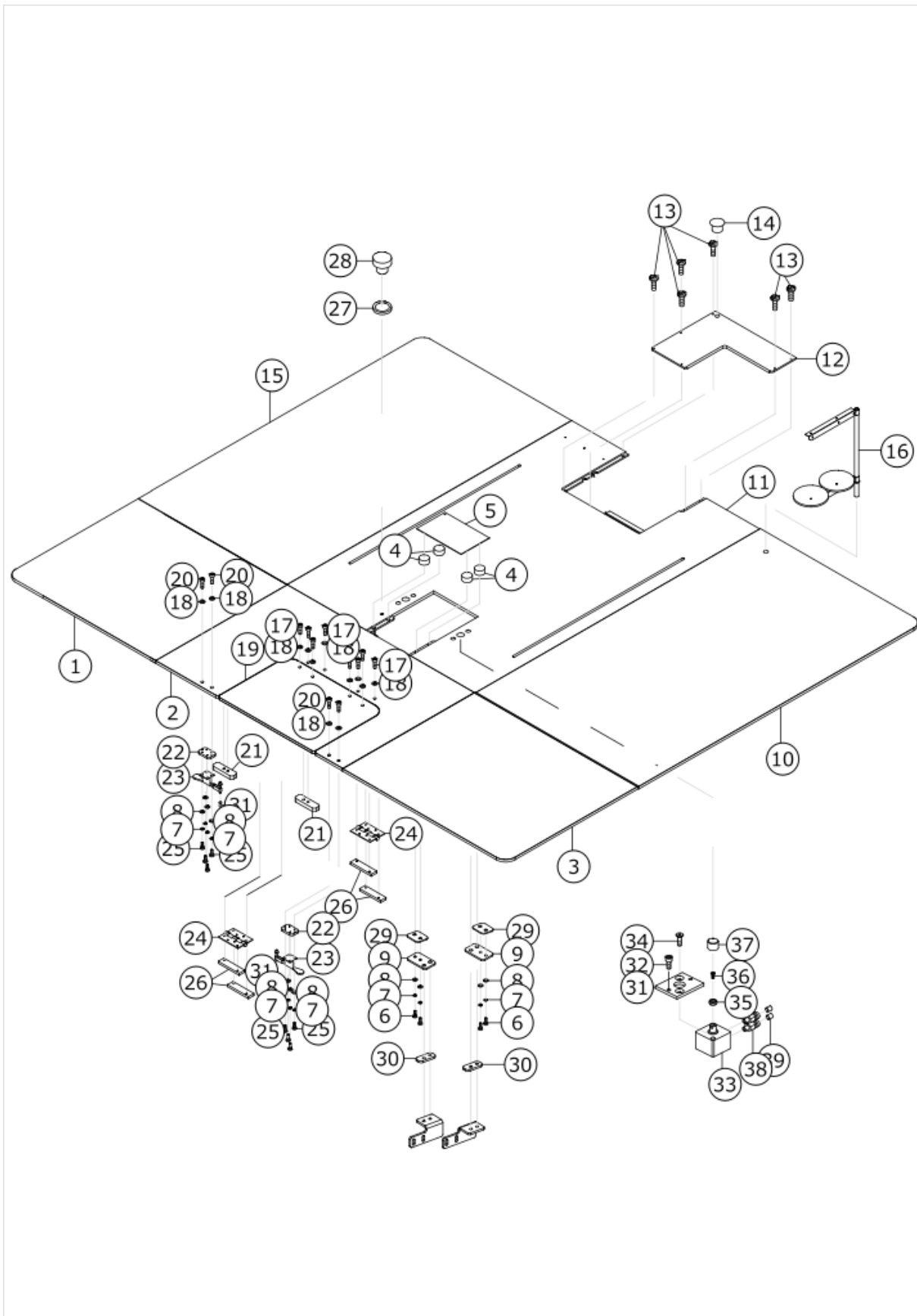
No.	品番	品名	備考	子部品	消耗品	個数
1	40228627	FRONT_COVER				1.00
2	-	SCREW				47.00
3	40228230	NUT_M4				47.00
4	-	FRONT_CONNECTION_ALUMINUM_FRAME				1.00
5	-	UPPER_AND_LOWER_CONNECTED_ALUMINUM_FRAME				4.00
6	-	NUT_M8				88.00
7	-	ALUMINUM_ANGLE				12.00
8	-	ALUMINUM_ANGLE				16.00
9	-	SCREW_M8X20				88.00
10	-	UPPER_AND_LOWER_CONNECTED_ALUMINUM_FRAME				4.00
11	-	CONNECTED_ALUMINUM_FRAME				1.00
12	-	LEFT_CONNECTED_ALUMINUM_FRAME				2.00
13	40228628	MACHINE_COVER				2.00
14	-	REAR_CONNECTION_ALUMINUM_FRAME				1.00
15	-	REAR_MIDDLE_CONNECTED_ALUMINUM_FRAME				1.00
16	40228629	REAR_COVER				1.00

PLATEN CONNECTION ALUMINUM PARTS (120) COMPONENTS



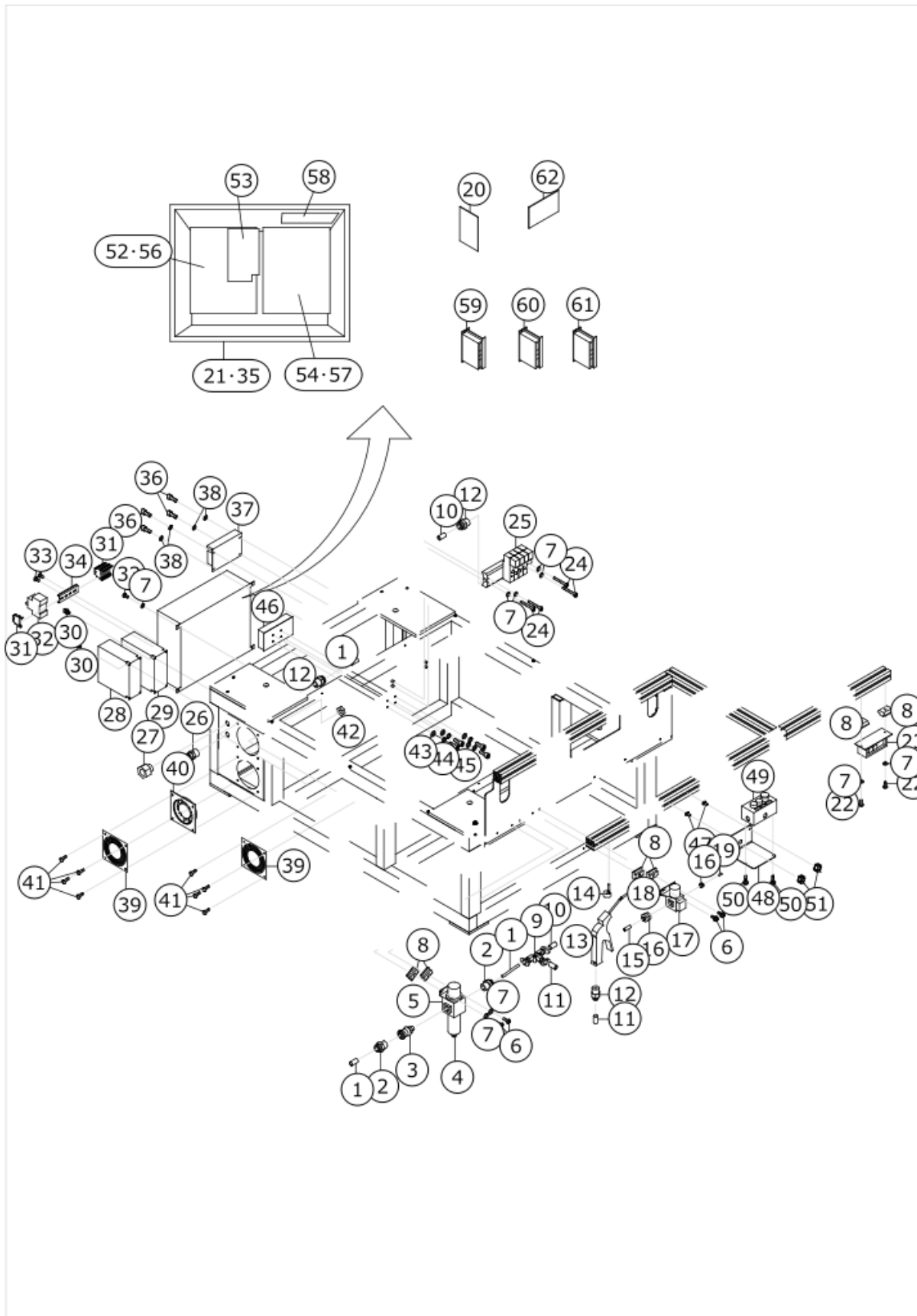
No.	品番	品名	備考	子部品	消耗品	個数
1	-	NUT_M8		*		134.00
2	-	WASHER		*		6.00
3	-	HINGE_LEFT_COLUMN_ASM				3.00
4	-	SCREW_M8X20		*		134.00
5	-	HINGE_AXIS		*		6.00
6	-	ALUMINUM_FRAME_ROTARY_CONNECTION_PLATE				6.00
7	-	COVER				8.00
8	-	ALUMINUM_FRAME_CONNECTING_PLATE				4.00
9	-	LEFT_CONNECTED_ALUMINUM_FRAME				6.00
10	-	FRONT_CONNECTION_ALUMINUM_FRAME_(120)				1.00
11	-	ALUMINUM_ANGLE				18.00
12	-	HINGE_LEFT_COLUMN		*		3.00
13	-	REAR_CONNECTION_ALUMINUM_FRAME_(120)				3.00
14	-	WASHER				71.00
15	-	SCREW				71.00
16	-	SEAL_PLATE				1.00
17	-	LEFT_CONNECTED_ALUMINUM_FRAME				1.00
18	-	REAR_CONNECTION_ALUMINUM_FRAME				1.00
19	-	HINGE_LEFT_TURN_SEAT		*		3.00
20	-	RIGHT_CONNECTION_ALUMINUM_FRAME				1.00
21	-	RIGHT_CONNECTION_ALUMINUM_FRAME				6.00
22	-	MIDDLE_CONNECTING_ALUMINUM_FRAME				2.00
23	-	LEFT_CONNECTED_ALUMINUM_FRAME				1.00
24	-	REAR_LEFT_CONNECTED_ALUMINUM_FRAME				3.00
25	-	ALUMINUM_ANGLE				10.00
26	-	HINGE_RIGHT_POST		*		3.00
27	-	HINGE_RIGHT_TURN_SEAT		*		3.00
28	-	HINGE_RIGHT_POST_ASM				3.00
29	-	REAR_CONNECTION_ALUMINUM_FRAME_(100)				3.00
30	-	FRONT_CONNECTION_ALUMINUM_FRAME_(120)				1.00

PLATEN PARTS (120) COMPONENTS



No.	品番	品名	備考	子部品	消耗品	個数
1	40228630	FRONT_LEFT_TABLE_(120)				1.00
2	-	PRE-FIXED_TABLE				1.00
3	40228631	FRONT_RIGHT_INSIDE_TABLE_(120)				1.00
4	-	MAGNET				4.00
5	40228449	CYLINDER_RASING_PLATE_ASM				1.00
6	-	SCREW				4.00
7	-	SPRING_WASHER				4.00
8	-	WASHER				4.00
9	-	TABLE_ADJUSTMENT_BOARD				2.00
10	40228632	RIGHT_TABLE_(120)				1.00
11	40228633	MEDIUM_TABLE				1.00
12	40228247	INSIDE_TABLE_BACK_LID				1.00
13	-	SCREW				6.00
14	40228010	20_RUBBER_PLUG				1.00
15	40228635	LEFT_TABLE_(120)				1.00
16	40228636	THREAD_STAND				1.00
17	-	SCREW				8.00
18	-	WASHER				12.00
19	40228637	MEDIUM_TABLE				1.00
20	-	SCREW				4.00
21	-	ROTATING_TABLE_FIXING_PLATE				2.00
22	-	TABLE_ROTATION_CLAMP				2.00
23	-	TABLE_CLAMP				2.00
24	-	TABLE_ROTATION_HINGE				2.00
25	-	SCREW				8.00
26	-	TABLE_ROTATING_HINGE_CLAMP				4.00
27	-	RUBBER_RING				1.00
28	-	MEDIUM_TABLE_STOPPER				1.00
29	-	TABLE_ADJUSTMENT_RUBBER_SEAT				2.00
30	-	TABLE_AUXILIARY_CLAMP				1.00
31	40234602	CYLINDER_PLATE				2.00
32	40228183	SCREW				4.00
33	40234600	CYLINDER				2.00
34	40234596	SCREW				4.00
35	40234604	FIXING_BLOCK				2.00
36	40228659	SCREW				2.00
37	40234603	LIFT_BOSS				2.00
38	40228282	JOINT				4.00
39	40234597	TUBE				4.00

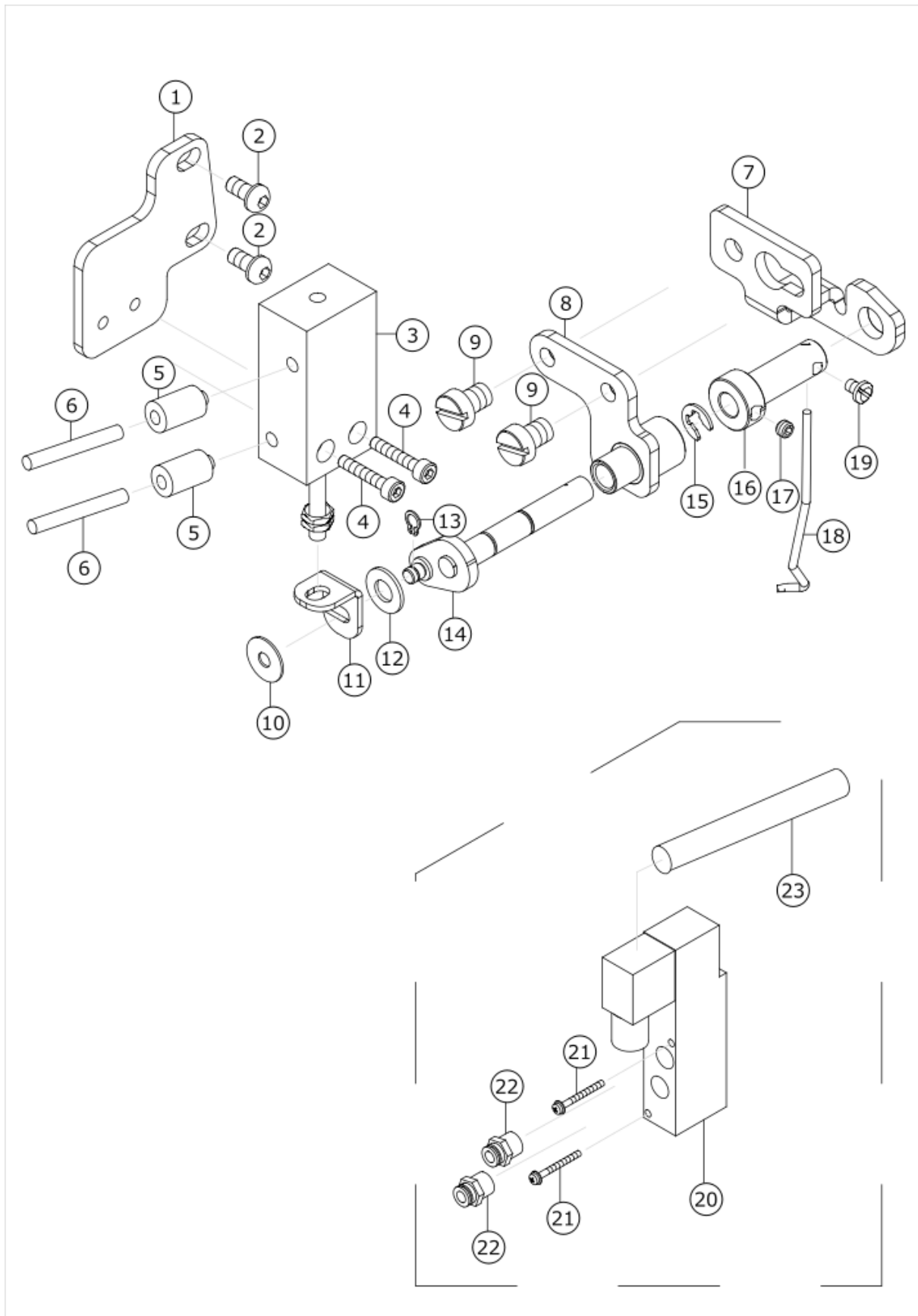
ELECTRICAL COMPONENTS



No.	品番	品名	備考	子部品	消耗品	個数
1	-	TUBE				1.00
2	40228250	JOINT				2.00
3	40228251	AIR_COCK				1.00
4	40228252	PRESSURE_CONTROL_VALVE				1.00
5	40228253	PRESSURE_CONTROL_VALVE_POST				1.00
6	-	SCREW				4.00
7	-	WASHER				7.00
8	-	NUT_M4				4.00
9	40228254	JOINT				1.00
10	-	TUBE				1.00
11	40228255	SPIRAL_TUBE				1.00
12	40228256	AIR_GUN_JOINT				3.00
13	40228257	AIR_GUN				1.00
14	-	HOOK				1.00
15	-	TUBE				1.00
16	-	ADJUSTMENT_VALVE_JOINT				2.00
17	40228258	TUNING_VALVE				1.00
18	-	ADJUSTMENT_VALVE_SUPPORT				1.00
19	-	TUBE				1.00
20	40243044	HEAD2 PCB ASSY	TYPE SPIN KNIFE			1.00
21	40247794	CONTROL_BOX_K	TYPE SPIN KNIFE			1.00
22	-	SCREW				2.00
23	40228260	POWER_SWITCH				1.00
24	-	SCREW				4.00
25	40228261	SOLENOID_VALVE_ASM				8.00
26	40228262	JOINT				4.00
27	40228263	JOINT				1.00
28	40228264	Y_FEEDER_DRIVER	TYPE SPIN KNIFE			1.00
29	40228265	X_FEEDER_DRIVER				1.00
30	-	SCREW				4.00
31	40228266	TERMINAL_BLOCK				9.00
32	40228267	CIRCUIT_BREAKER				1.00
33	-	SCREW				6.00
34	-	AIR_SWITCH_BASE				1.00
35	40228268	CONTROL_BOX_BP				1.00
36	-	SCREW				4.00
37	40228269	TERMINAL_BLOCK_ASM				1.00
38	-	WASHER				4.00
39	40228270	FILTER				2.00
40	40228271	FAN				1.00
41	-	SCREW				8.00
42	-	NUT				4.00
43	-	WASHER				4.00
44	-	SPRING_WASHER				4.00
45	-	SCREW				4.00
46	40228272	SWITCH_POWER_SUPPLY				1.00
47	-	SCREW_M8X20				2.00

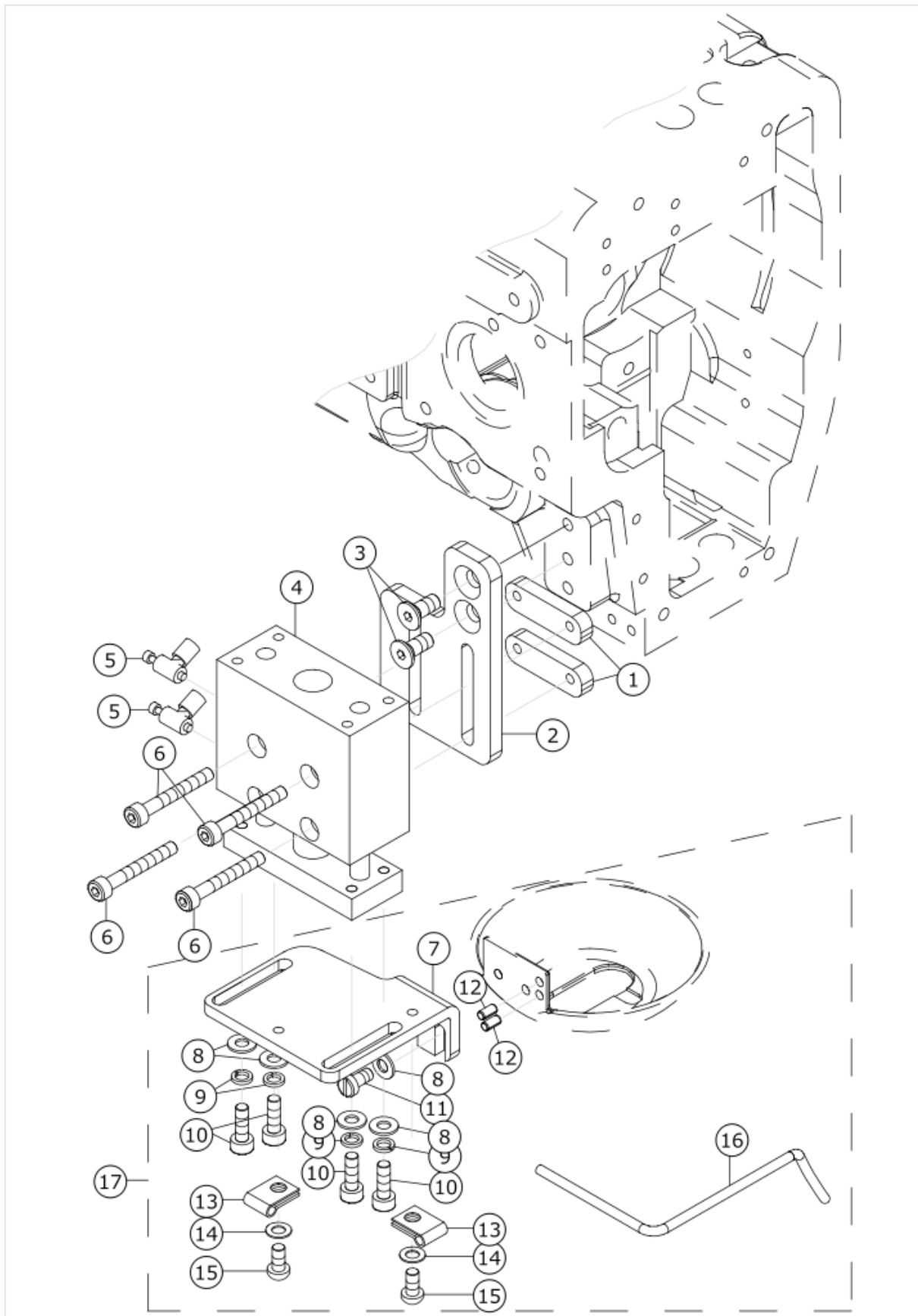
48	40228273	PAUSE_SWITCH_MOUNTING_PLATE				1.00
49	40228274	BUTTON_BOX				1.00
50	-	SCREW				2.00
51	-	NUT_M8				2.00
52	40229462	PWR_PCB_ASSY				1.00
53	40229464	DRV_PCB_ASSY				1.00
54	40229465	MAIN_PCB_ASSY_BP				1.00
55	40228268	CONTROL_BOX_BP				1.00
56	40229463	PWR_PCB_ASSY_K	TYPE SPIN KNIFE			1.00
57	40243036	MAIN_PCB_ASSY_K	TYPE SPIN KNIFE			1.00
58	40243039	CON_PCB_ASSY	TYPE SPIN KNIFE			1.00
59	40242580	LOWER_KNIFE_MOTOR_DRIVER	TYPE SPIN KNIFE			1.00
60	40242122	UPPER_ROTARY_MOTOR_DRIVER	TYPE SPIN KNIFE			1.00
61	40242123	LOWER_ROTARY_MOTOR_DRIVER	TYPE SPIN KNIFE			1.00
62	40243041	HEAD1_PCB_ASSY	TYPE SPIN KNIFE			1.00

WIPER CYLINDER COMPONENTS



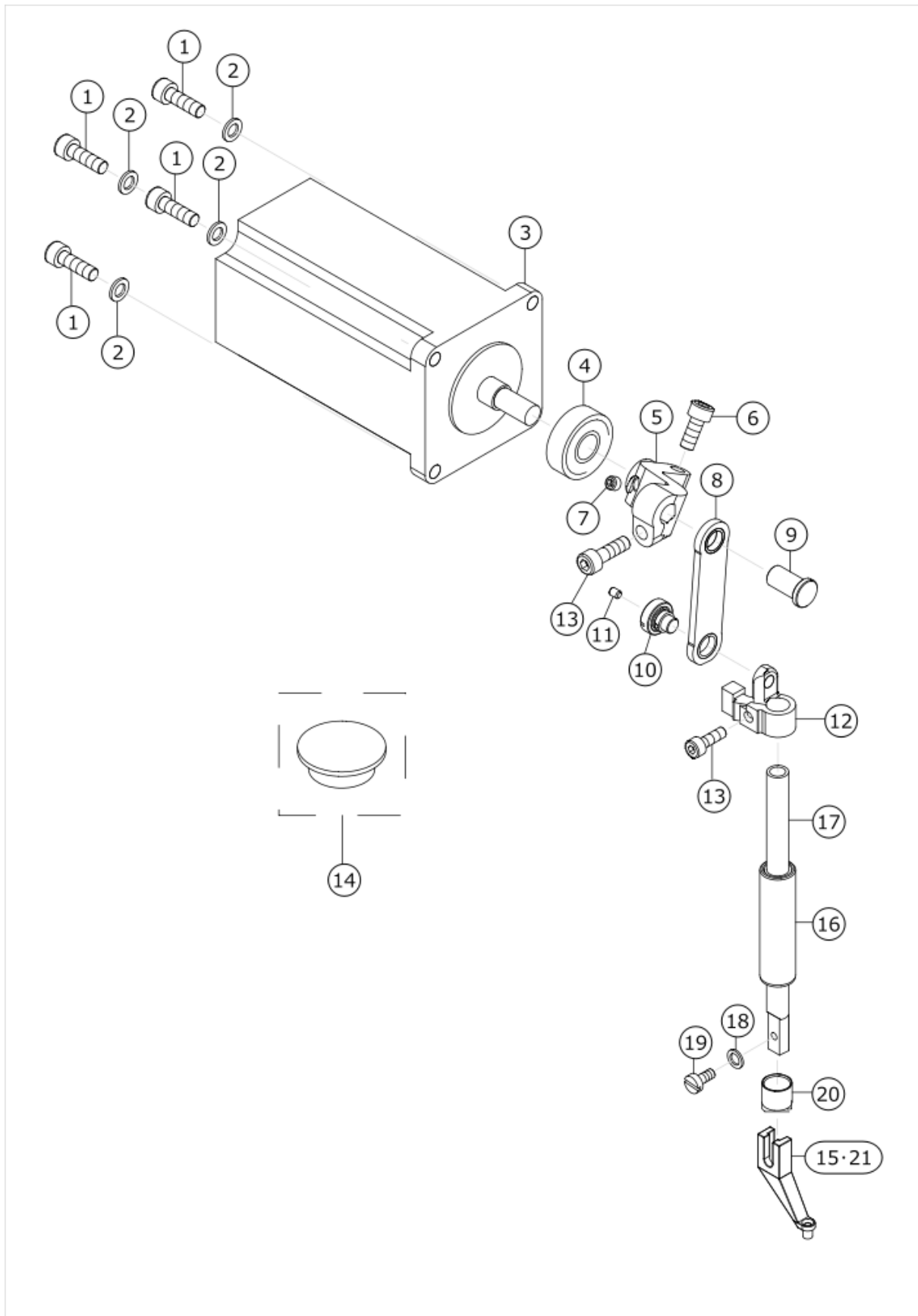
No.	品番	品名	備考	子部品	消耗品	個数
1	40228303	TIN_THREAD_CYLINDER_MOUNTING_PLATE				1.00
2	-	SCREW				2.00
3	40228304	WIPER_CYLINDER				1.00
4	-	SCREW				2.00
5	-	JOINT				2.00
6	-	TUBE				2.00
7	-	SLIDING_ARM_MOUNTING_PLATE				1.00
8	40228305	WIPER_SHAFT_BASE				1.00
9	-	SCREW				2.00
10	40228306	WASHER				1.00
11	40228307	WIPER_DRIVE_BEARING_PLATE				1.00
12	-	WASHER				1.00
13	40228308	THRUST				1.00
14	40228309	WIPER_DRIVE_SHAFT				1.00
15	40228310	THRUST				1.00
16	40228311	TWINE_ROD_SLIDING_ARM				1.00
17	-	SCREW				1.00
18	40228056	SILK_THREAD_ROD				1.00
19	-	SCREW				1.00
20	40228047	SOLENOID_VALVE				1.00
21	-	SCREW				2.00
22	-	JOINT				2.00
23	-	ELECTRICAL_WIRE				1.00

NEEDLE COOLER PARTS COMPONENTS



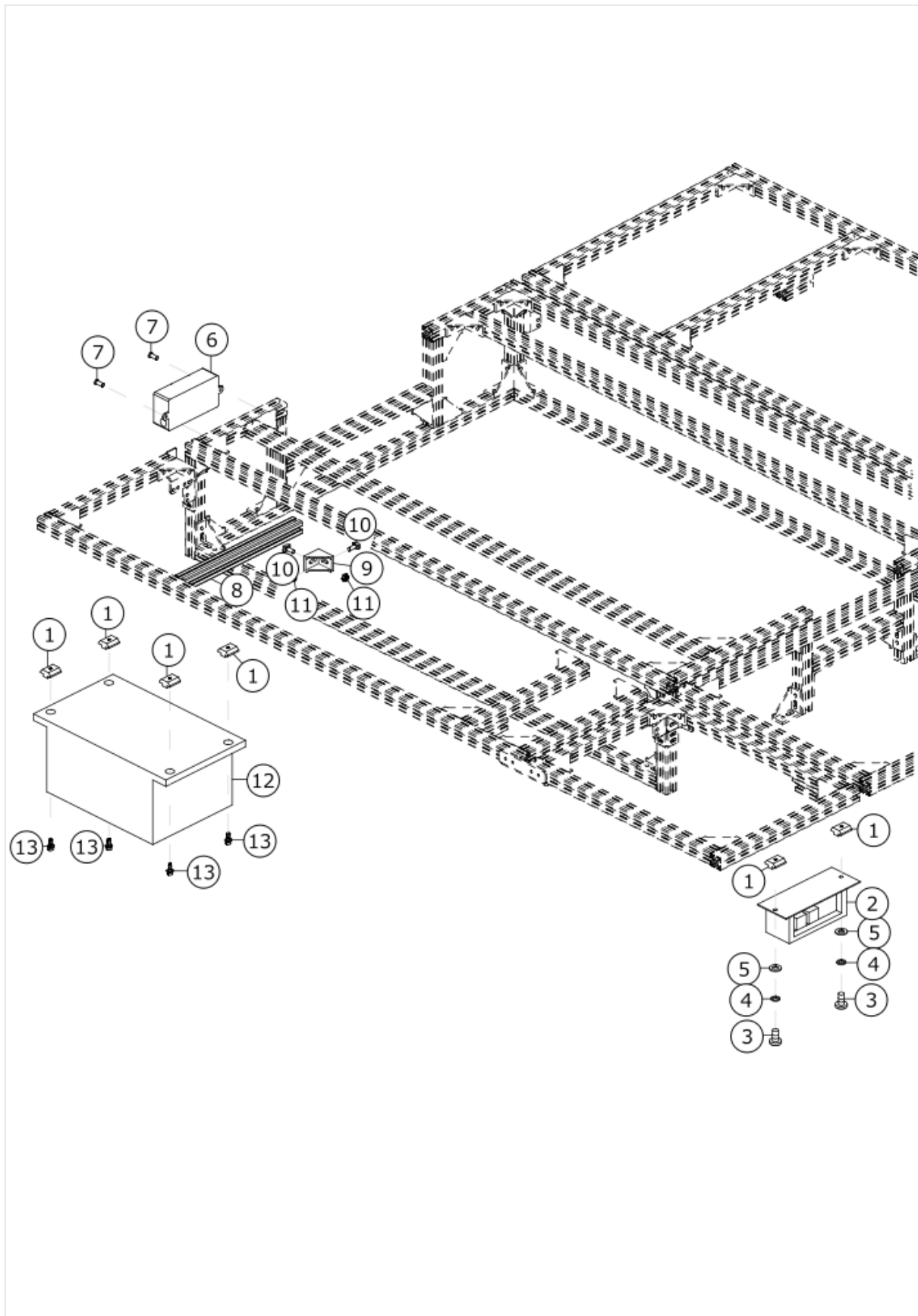
No.	品番	品名	備考	子部品	消耗品	個数
1	40228312	CYLINDER_FIXING_PLATE				2.00
2	40228313	CYLINDER_CONNECTING_PLATE				1.00
3	-	SCREW				2.00
4	40228314	AUXILIARY_PRESSER_CYLINDER				1.00
5	-	CYLINDER_JOINT				2.00
6	-	SCREW				4.00
7	40228315	AUXILIARY_PRESSER_CONNECTION_PLATE		*		1.00
8	-	WASHER		*		6.00
9	-	SPRING_WASHER		*		4.00
10	-	SCREW		*		4.00
11	-	SCREW		*		2.00
12	40228316	PIN		*		2.00
13	-	PLANE_THREAD_BRONCHUS		*		2.00
14	-	WASHER		*		2.00
15	-	SCREW		*		2.00
16	40228317	UPPER_THREAD_AIR_BLOW		*		1.00
17	-	AUXILIARY_PRESSER_ASM				1.00

ELECTRONIC PRESSER FOOT COMPONENTS



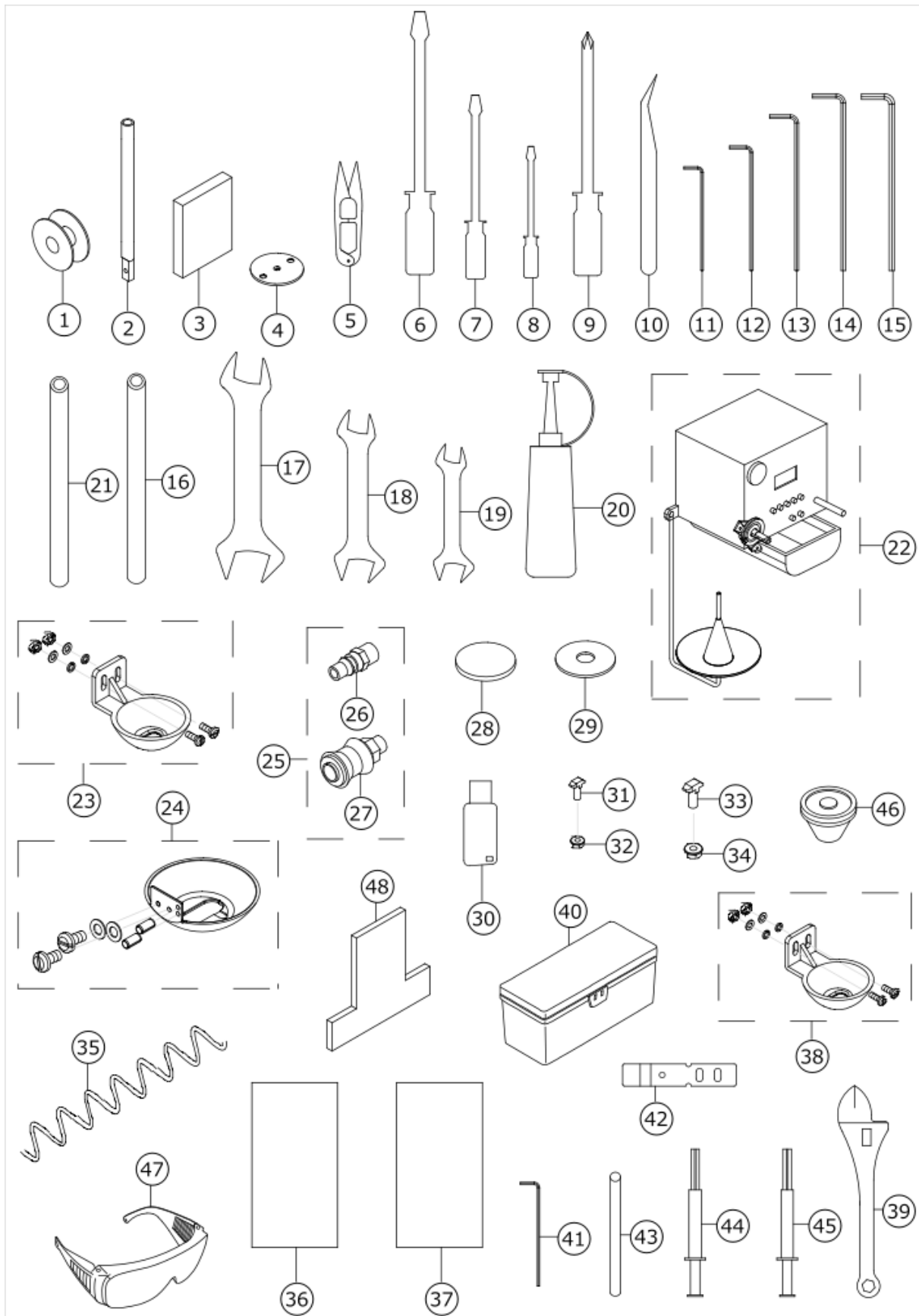
No.	品番	品名	備考	子部品	消耗品	個数
1	-	SCREW				4.00
2	-	WASHER				4.00
3	40228723	MOTOR				1.00
4	40228320	BEARING				1.00
5	40228324	ELECTRONIC_HOLDING_ARM(26.5)				1.00
6	-	SCREW				1.00
7	-	SCREW				1.00
8	40228327	CONNECTION_PLATE_SET				1.00
9	40228329	TRANSMISSION_SHAKING_ROD_PIN				1.00
10	-	COUPLING_SHAFT_SCREW				1.00
11	-	SCREW				1.00
12	40228331	ELECTRONIC_HOLDING_AND_HOLDING				1.00
13	-	SCREW				2.00
14	40228334	13_RUBBER_PLUG				1.00
15	40225490	PRESSER_D22	TYPE S			1.00
16	40228066	PRESS_BUSHING				1.00
17	40228067	PRESSER BAR				1.00
18	-	WASHER				1.00
19	40228069	SCREW				1.00
20	40228084	PRESS_DUST_CASE				1.00
21	40225509	INTERMEDIATE_PRESSER_D3.5	TYPE H			1.00

POWER SUPPLY WIRING COMPONENT



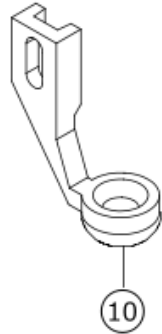
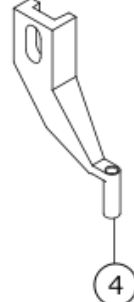
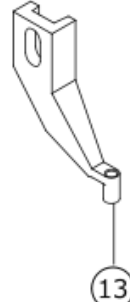
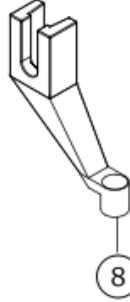
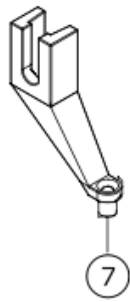
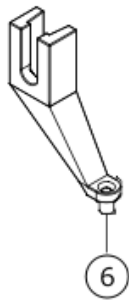
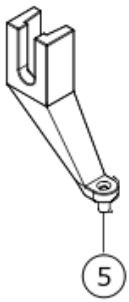
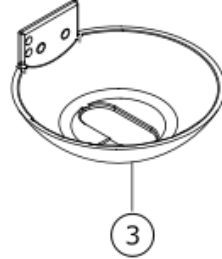
No.	品番	品名	備考	子部品	消耗品	個数
1	-	NUT_M4				6.00
2	-	POWER_SWITCH				1.00
3	-	SCREW				2.00
4	-	SPRING_WASHER				2.00
5	-	WASHER				2.00
6	-	SEAT_PLATE				1.00
7	-	SCREW				2.00
8	-	REAR_CONNECTION_ALUMINUM_FRAME				1.00
9	-	ALUMINUM_ANGLE				2.00
10	-	T-TYPE_SCREW_M8X20				8.00
11	-	NUT_M8				8.00
12	-	LASER_POWER_SUPPLY_100W				1.00
13	-	SCREW				2.00

ACCESSORY BOX PART COMPONENTS (SPECIAL ORDER PARTS)



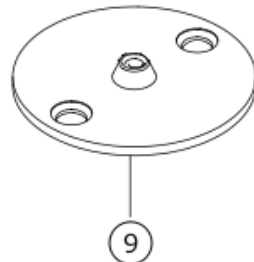
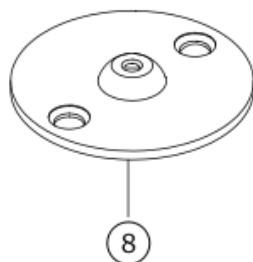
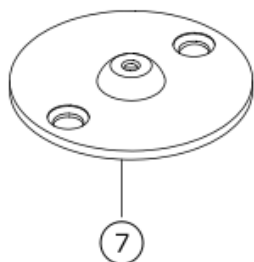
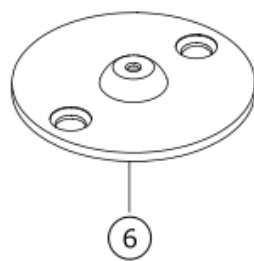
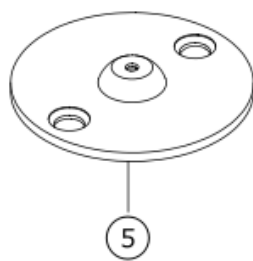
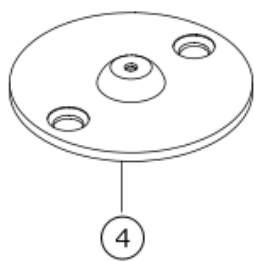
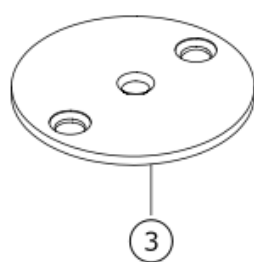
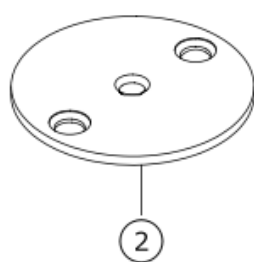
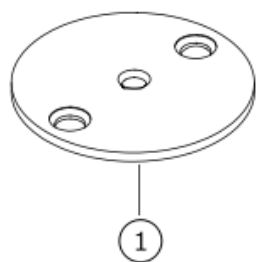
No.	品番	品名	備考	子部品	消耗品	個数
1	40225494	BOBBIN				5.00
2	40228067	PRESS				1.00
3	MDB100B0800	NEEDLE DBX1 #8				10.00
4	40225495	NEEDLE_PLATE_(SMALL)_D=1.4				1.00
5	-	SCISSORS				1.00
6	-	SCREW_DRIVER_(6X200)				1.00
7	-	SCREW_DRIVER_(5X75)				1.00
8	-	SCREW_DRIVER_(3X100)				1.00
9	-	PLUS_DRIVER_(6X200)				1.00
10	-	TWEEZERS_ASM				1.00
11	-	HEX_WRENCH 2				1.00
12	-	HEX_WRENCH 2.5				1.00
13	-	HEX_WRENCH 3				1.00
14	-	HEX_WRENCH 4				1.00
15	-	HEX_WRENCH 5				1.00
16	-	BOOSTER_ROD				1.00
17	-	SPANNER_24X27				1.00
18	-	SPANNER_13X15				1.00
19	-	SPANNER_8X10				1.00
20	-	OIL_CANS				1.00
21	40228112	NEEDLE BAR 2.0	TYPE S(FOR DPX5)			1.00
22	-	BOBBIN THREAD WINDING DEVICE				1.00
23	-	SUPPLEMENTARY_SMALL_PRESSER_ASM				1.00
24	40228583	SUPPLEMENTARY_SMALL_PRESSER_ASM				1.00
25	-	TUBE_JOINT				1.00
26	40228359	JOINT		*		1.00
27	40228360	JOINT		*		1.00
28	40228361	IC_CARD				10.00
29	-	RUBBER_CUSHION				10.00
30	40228780	USB				1.00
31	40228363	SCREW_M6X16				3.00
32	40228364	NUT_M6				3.00
33	-	SCREW_M8X20				3.00
34	-	NUT_M8				3.00
35	-	AIR_GUN_TUBE				1.00
36	-	INSTRUCTION_BOOK				1.00
37	-	CASSETTE_DRAWING				1.00
38	40228357	PLASTIC_PRESSER_COMPONENTS				1.00
39	-	MONKEY_WRENCH				1.00
40	-	TOOL_CABINET				1.00
41	-	HEX_WRENCH_6				1.00
42	40225492	FIX_KNIFE				1.00
43	40228003	SUBSIDIARY_PRESSER_BAR				1.00
44	-	GREASE_(NEEDLE_TUBING_5ML)				1.00
45	-	GREASE_(NEEDLE_TUBING_10ML)				1.00
46	-	GREASE_(BOX_100ML)				1.00
47	40238556	GOGGLES	LASER SPECIFICATION ONLY			1.00
48	40228641	LASER_TOOL	LASER SPECIFICATION ONLY			1.00

PRESSER FOOT COMPONENTS (SPECIAL ORDER PARTS)



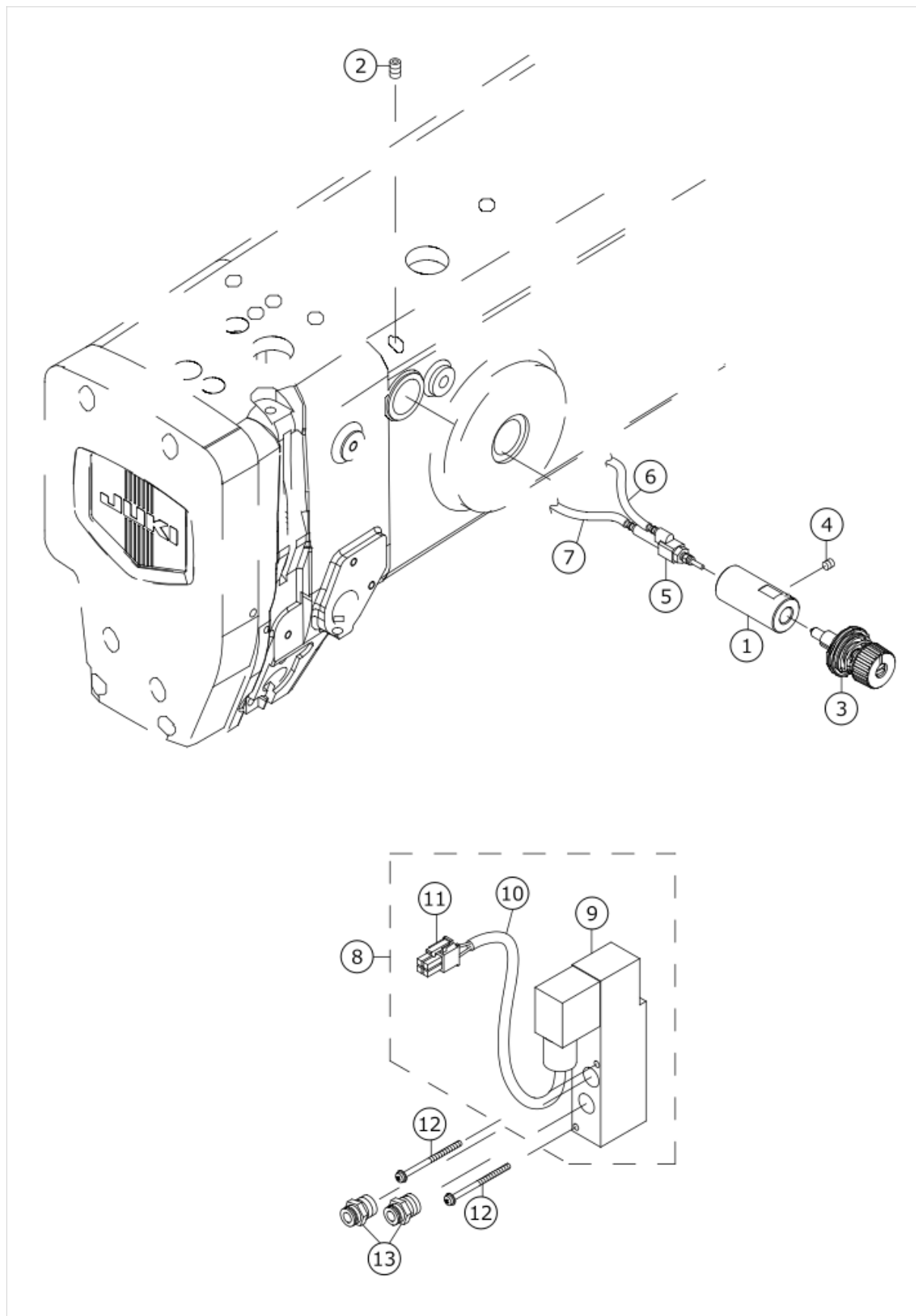
No.	品番	品名	備考	子部品	消耗品	個数
1	40225516	BOAT_PLASTIC_PRESSER				1.00
2	40225496	BOAT_PRESSER_S				1.00
3	40225491	BOAT_PRESSER_L				1.00
4	40225515	INTERMEDIATE_PRESSER_D2.2L				1.00
5	40225490	INTERMEDIATE_PRESSER_D2.2				1.00
6	40225508	INTERMEDIATE_PRESSER_D2.7				1.00
7	40225509	INTERMEDIATE_PRESSER_D3.5				1.00
8	40225510	INTERMEDIATE_PRESSER_D4.0				1.00
9	40225511	INTERMEDIATE_PRESSER_D2.0				1.00
10	40225512	INTERMEDIATE_PRESSER_D2.5				1.00
11	40225505	INTERMEDIATE_PRESSER_D2.5L				1.00
12	40225513	INTERMEDIATE_PRESSER_D3.0				1.00
13	40225514	INTERMEDIATE_PRESSER_D2.2S				1.00

NEEDLE PLATE COMPONENTS (SPECIAL ORDER PARTS)



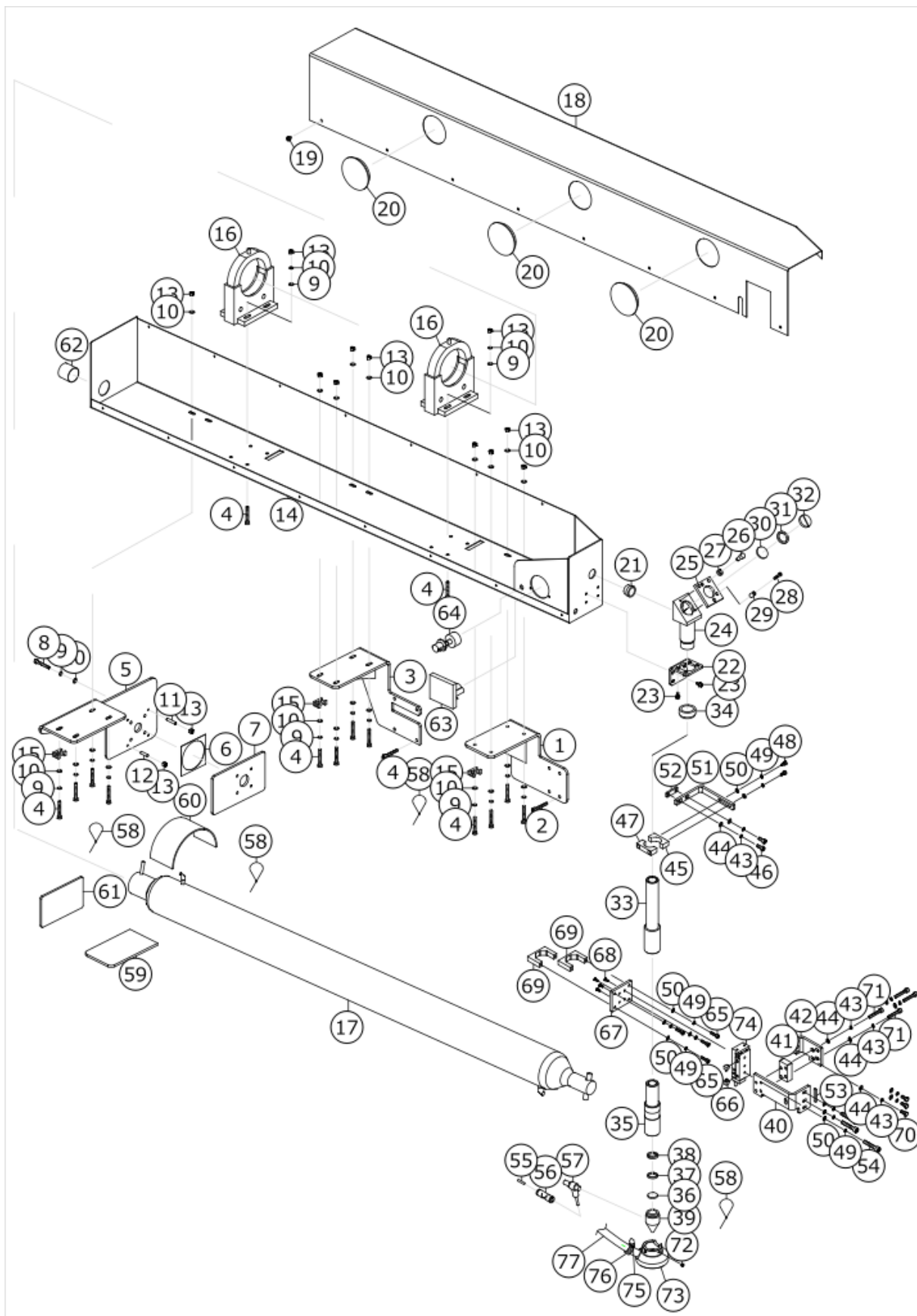
No.	品番	品名	備考	子部品	消耗品	個数
1	40225498	NEEDLE_PLATE_D2.4				1.00
2	40225499	NEEDLE_PLATE_D3.0				1.00
3	40225500	NEEDLE_PLATE_SMALL_D3.5				1.00
4	40225495	NEEDLE_PLATE_CONVEX_D1.4				1.00
5	40225486	NEEDLE_PLATE_CONVEX_D1.6				1.00
6	40225501	NEEDLE_PLATE_CONVEX_D2.0				1.00
7	40225502	NEEDLE_PLATE_CONVEX_D2.2				1.00
8	40225503	NEEDLE_PLATE_CONVEX_D2.4				1.00
9	40225504	NEEDLE_PLATE_SMALL_D1.6				1.00

THE THIRD THREAD TENSION REGULATOR (OPTIONAL PARTS)



No.	品番	品名	備考	子部品	消耗品	個数
1	40228788	CYLINDER_BASE				1.00
2	40228089	SCREW				1.00
3	40228051	THIRD_THREAD_TENSION_ASSY				1.00
4	40228783	SCREW				1.00
5	40228804	CYLINDER				1.00
6	40228814	TUBE				1.00
7	40228815	TUBE				1.00
8	40228803	SOLENOIDO_VALVE_ASSY				1.00
9	40228047	SOLENOIDO_VALVE		*		1.00
10	40228813	CABLE		*		1.00
11	40232400	CONNECTOR		*		1.00
12	40228810	SCREW				2.00
13	40228812	UNION				2.00

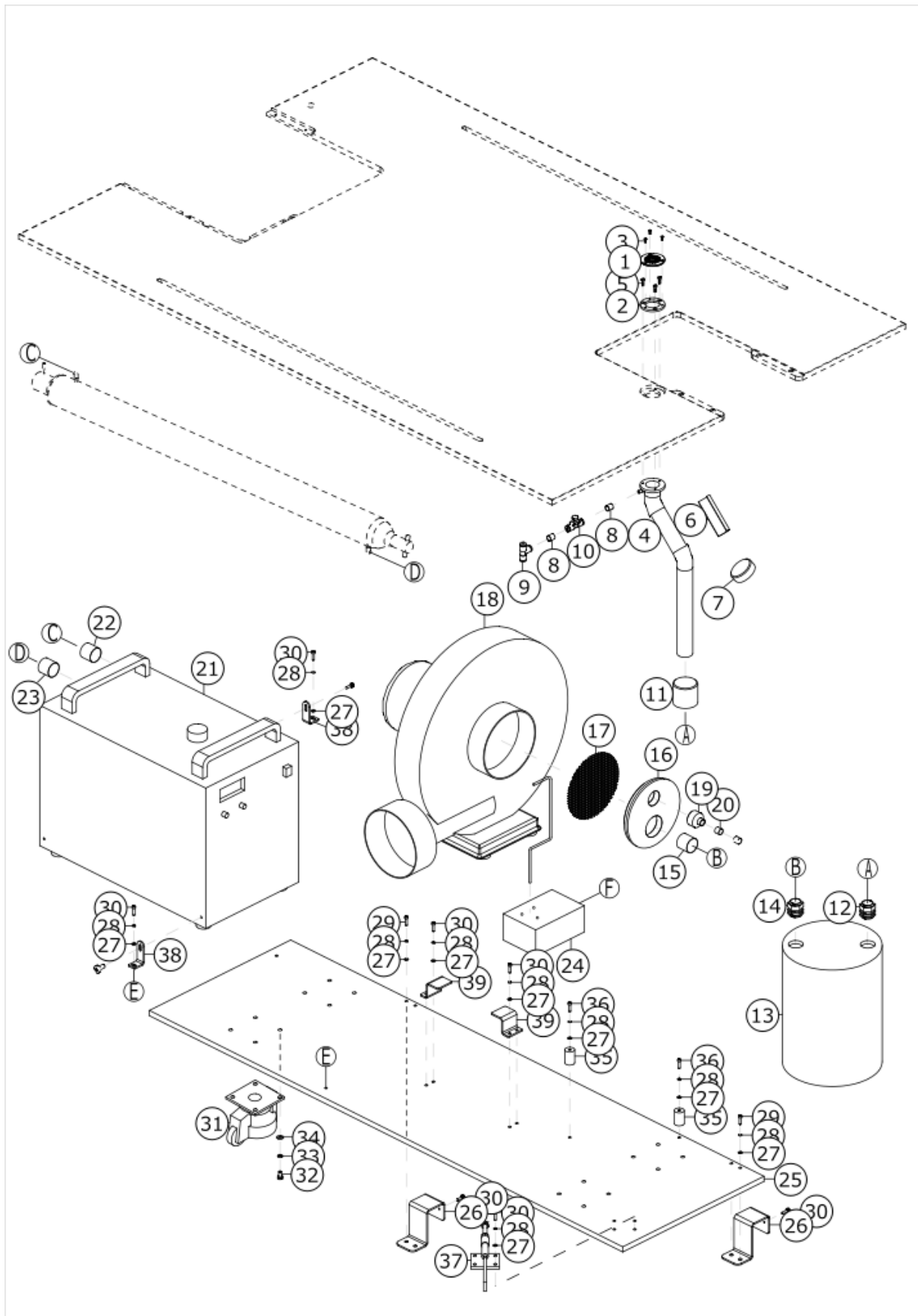
LASER TUBE COMPONENTS (SUBCLASS)



No.	品番	品名	備考	子部品	消耗品	個数
1	-	LASER_COVER_FRONT_MOUNTING_PLATE				1.00
2	-	SCREW				4.00
3	-	LASER_COVER_MIDDLE_MOUNTING_PLATE				1.00
4	-	SCREW				24.00
5	-	LASER_COVER_BACK_MOUNTING_PLATE				1.00
6	-	WASHER				1.00
7	-	LASER_BACK_POST_PLATE				1.00
8	-	SCREW				1.00
9	-	SPRING_WASHER				24.00
10	-	WASHER				36.00
11	-	SCREW				2.00
12	-	SCREW				2.00
13	-	NUT				24.00
14	-	LASER_TUBE_LOWER_COVER				1.00
15	-	FIXING_PLATE				3.00
16	-	LASER_TUBE_SUPPORT_ASM				2.00
17	40228772	LASER-TUBE				1.00
18	-	LASER_TUBE_TOP_COVER				1.00
19	-	SCREW				15.00
20	-	CAP				3.00
21	-	LASER_TUBE_CASE				1.00
22	-	LASER_TIP_SUPPORT_PLATE				1.00
23	-	SCREW				8.00
24	-	LASER_TIP_BLOCK				1.00
25	-	LASER_TIP_BLOCK_COVER				1.00
26	-	SCREW				3.00
27	-	NUT				3.00
28	-	SCREW				2.00
29	-	SPRING				2.00
30	40228771	REDLECTOR				1.00
31	-	LASER_SAFE_REFLECTOR_SEAT				1.00
32	-	LASER_REFLECTOR_CLAMP				1.00
33	-	LASER_NECK_CONNECTION_COVER				1.00
34	-	NUT				1.00
35	-	LASER-CONCAVE_MIRROR_TUBE				1.00
36	40228770	LENS				1.00
37	-	LASER_LOCUS_WHITE_PROTECTIVE_SEAT				1.00
38	-	NUT				1.00
39	-	LASER_NECK_LOWER_CONNECTING_TUBE				1.00
40	-	LASER_FIXED_PLATE_A				1.00
41	-	LASER_FIXED_BLOCK				1.00
42	-	LASER_FIXED_PLATE_B				1.00
43	-	SPING_WASHER				9.00
44	-	WASHER				9.00
45	-	LASER_TUBE_BLOCK_TOP				1.00
46	-	SCREW				2.00
47	-	BELOW_THE_LASER_TUBE_BLOCK				1.00
48	-	SCREW				2.00
49	-	SPRING_WASHER				9.00
50	-	WASHER				9.00

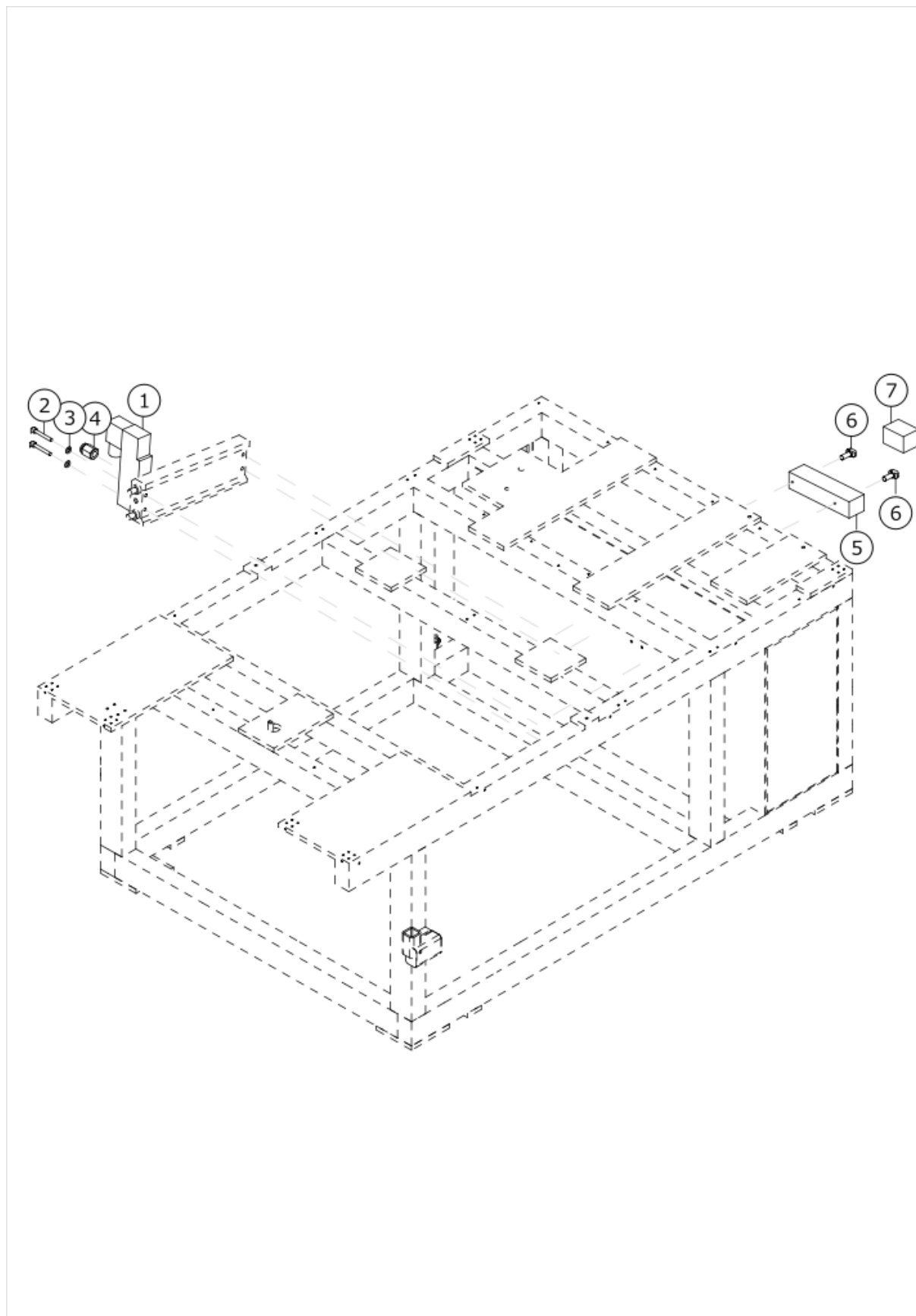
51	-	LASER_TUBE_SUPPORT_POST				1.00
52	-	WASHER_PLATE				1.00
53	40228646	LASER_CYLINDER_SENSOR				1.00
54	-	SCREW				3.00
55	-	CABLE_BAND				4.00
56	-	TUBE				1.00
57	-	ADJUSTMENT_JOINT				1.00
58	-	TUBE				1.00
59	-	LASER_UPPER_AIR_BLOWING_TUBE				1.00
60	-	UNDER_THE_LASER_TUBE_RUBBER_PLATE				1.00
61	-	LASER_TUBE_ON_RUBBER_PLATE				1.00
62	-	LASER_TUBE_RUBBER_PLATE_BEHIND				1.00
63	-	TEST_50A				1.00
64	-	CURRENT_REGULATOR				1.00
65	-	SCREW				4.00
66	-	JOINT				2.00
67	-	DRIVE_CYLINDER_MOUNTING_PLATE				1.00
68	-	SCREW				4.00
69	40228654	LASER_SUCTION_FIXED_BLOCK				2.00
70	-	SCREW				3.00
71	-	SCREW				4.00
72	-	SCREW				2.00
73	-	LASER_SHIELD_COVER				1.00
74	-	CYLINDER				1.00
75	-	SCREW				1.00
76	-	BUCKLE_RING				1.00
77	-	SUCTION_TUBE				1.00

LASER AIR SUCTION COMPONENTS (SUBCLASS)



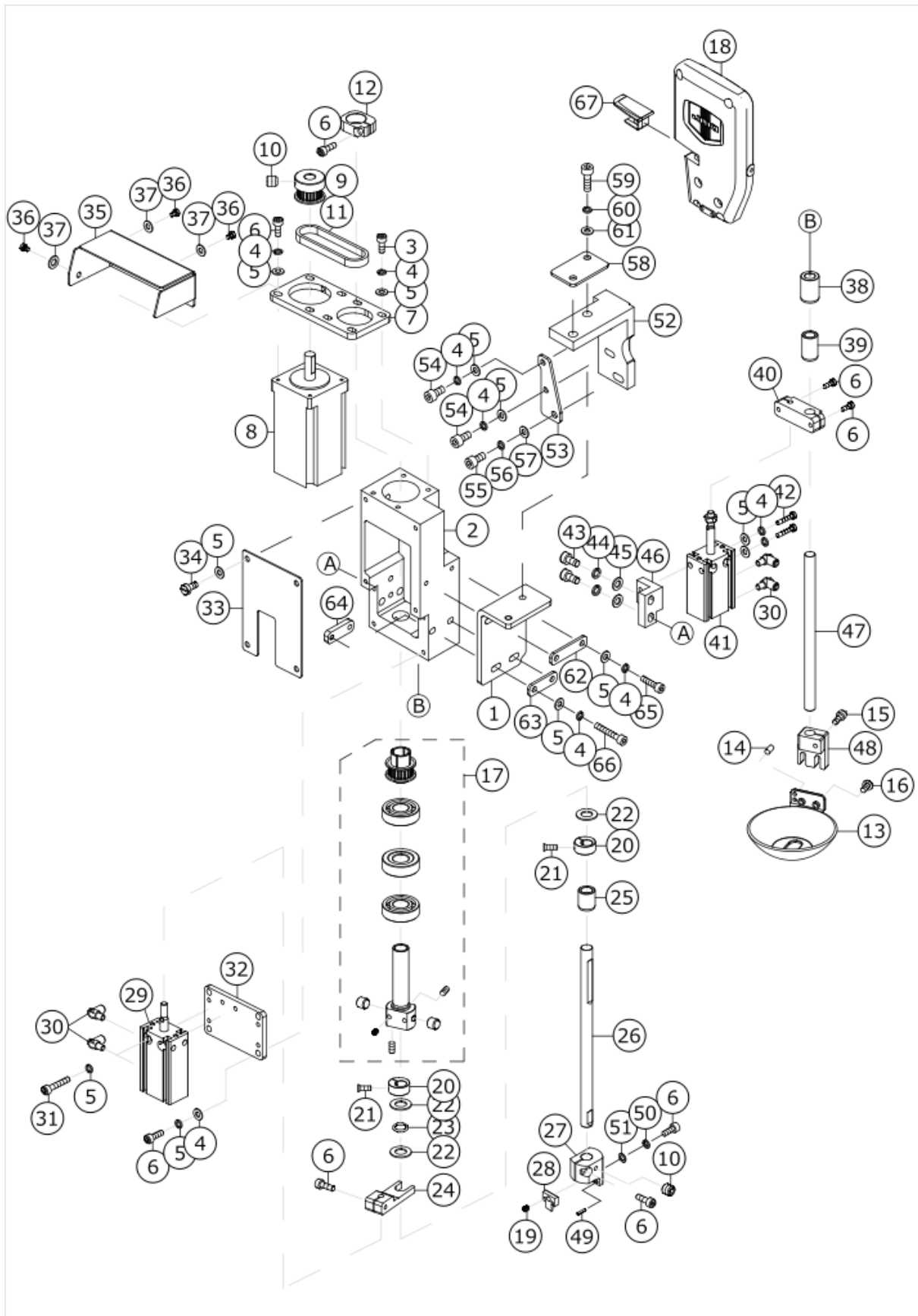
No.	品番	品名	備考	子部品	消耗品	個数
1	-	SUCTION_TOP_COVER				1.00
2	-	COVER_DURING_SUCTION				1.00
3	-	SCREW				3.00
4	-	SUCTION_CONNECTION_TUBE_ASM				1.00
5	-	SCREW				3.00
6	-	COVER				1.00
7	-	BOAR_NECK				2.00
8	-	TUBE				1.00
9	-	T_UNION				1.00
10	-	SPEAKON				1.00
11	-	IRON_PIPE				1.00
12	-	JOINT				1.00
13	-	FILTER_CAN				1.00
14	-	JOINT				1.00
15	-	IRON_PIPE				1.00
16	-	AIR_SUCTION_CASE				1.00
17	-	FILTER_NET				1.00
18	-	HAIRDRYER				1.00
19	-	SUCTION_PIPE_CONNECTION_COVER				1.00
20	-	BOAR_NECK				1.00
21	-	COLD_WATER_MACHINE_3000_TYPE				1.00
22	-	LASER_LAUNCHING_TUBE				1.00
23	-	LASER_OUTLET_TUBE				1.00
24	-	PRESSURE_REGULATOR				1.00
25	-	WATER_TANK_FIXED_PLATE				1.00
26	-	WATER_TANK_LEAVING_PLATE				2.00
27	-	WASHER				12.00
28	-	SPRING_WASHER				12.00
29	-	SCREW				4.00
30	-	SCREW				14.00
31	-	CASTER				4.00
32	-	SCREW				16.00
33	-	SPRING_WASHER				16.00
34	-	WASHER				16.00
35	-	PILLAR				2.00
36	-	SCREW				2.00
37	-	SUCTION_CUP_SUPPORT				1.00
38	-	CHILLER_FIXED_PLATE				2.00
39	-	BLOWER_CLAMP				2.00

LASER ELECTRONIC CONTROL PARTS COMPONENTS (SUBCLASS)



No.	品番	品名	備考	子部品	消耗品	個数
1	-	LASER_SOLENOID_VALVE				1.00
2	-	SCREW				2.00
3	-	WASHER				2.00
4	-	LASER_CYLENDER_SOLENOID_VALVE_COUPLING				1.00
5	-	ELECTROMAGNETIC_RELAY_BASE				1.00
6	-	SCREW				2.00
7	-	ELECTROMAGNETIC_RELAY				1.00

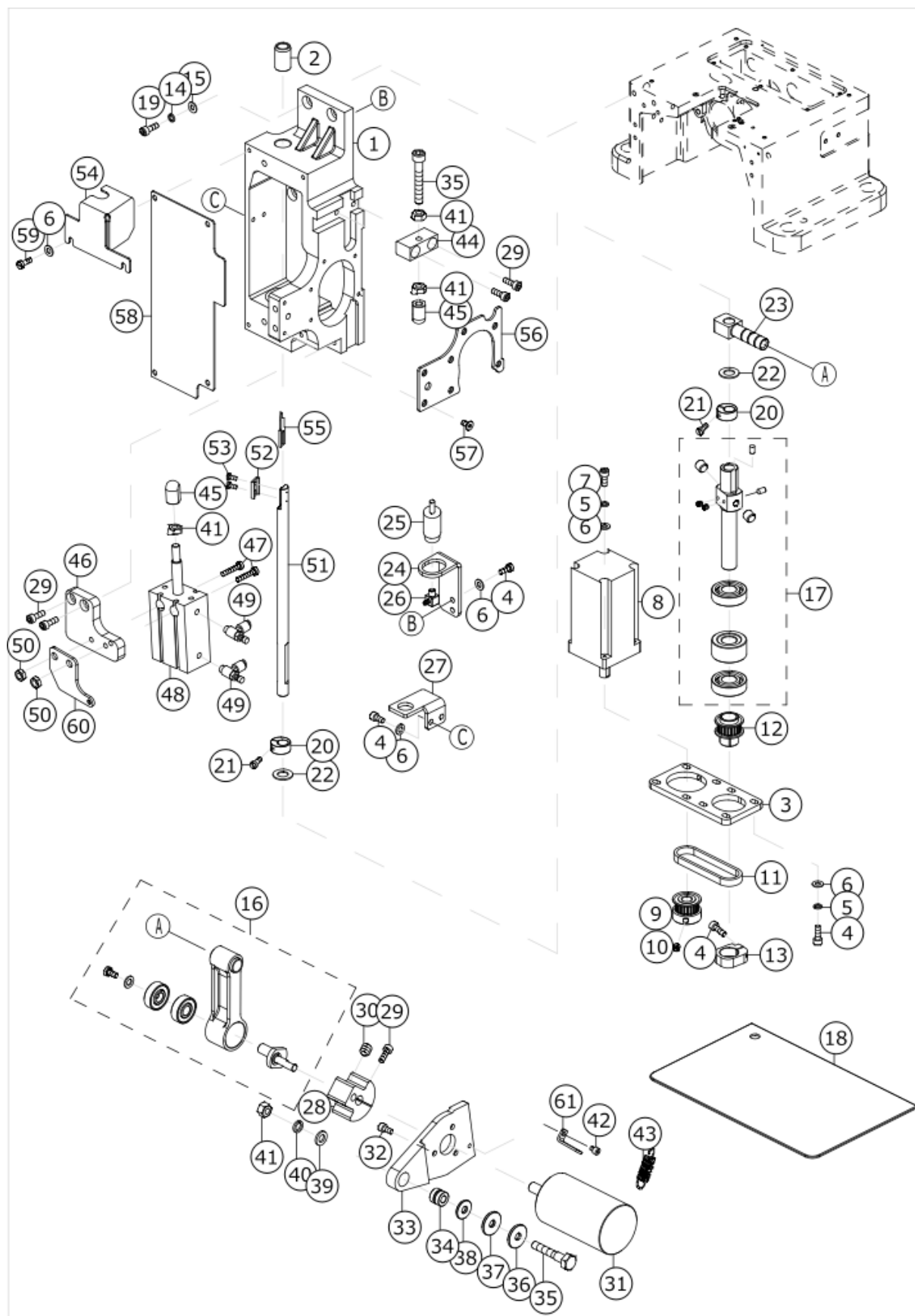
ROTARY CUTTER MEMBER COMPONENTS (SUBCLASS)



No.	品番	品名	備考	子部品	消耗品	個数
1	-	BRACKET_B				1.00
2	-	FIXED_FEMALE_BASE				1.00
3	40228223	SCREW				4.00
4	-	SPRING_WASHER				24.00
5	-	WASHER				22.00
6	40234451	SCREW				12.00
7	-	ROTARY_MOTOR_MOUNTING_PLATE				1.00
8	40228419	SPIN_KNIFE_MOTOR				1.00
9	40228420	MOTOR_TIMING_SPROCKET				1.00
10	-	SCREW				3.00
11	40228421	MOTOR_TIMING_BELT				1.00
12	40228422	CONNECTION				1.00
13	40225491	BOAT_PRESSER_L				1.00
14	-	PIN				2.00
15	40235588	SCREW				1.00
16	40228435	SCREW				2.00
17	40228436	FIXED_KNIFE_SHAFT_BUSHING_ASM				1.00
18	40228437	FACE PLATE				1.00
19	40234438	SCREW				2.00
20	40228423	MOVING_KINFE_SHAFT_CONNECTING				2.00
21	-	SCREW				3.00
22	-	WASHER				1.00
23	-	O-RING				1.00
24	40228564	SPIN_FIXED_KNIFE_BASE				1.00
25	40228455	FIX_KNIFE_LOWER_BUSHING				1.00
26	40228424	SPIN_FIXED_KNIFE_SHAFT				1.00
27	40228425	FIXED_FEMALE_BASE				1.00
28	40228426	FIXED_KNIFE				1.00
29	40228427	CYLINDER				1.00
30	-	TUBE_JOINT				4.00
31	-	SCREW				2.00
32	-	DRIVE_CYLINDER_MOUNTING_PLATE				1.00
33	-	FIXED_FEMALE_BASE_COVER				1.00
34	-	SCREW				4.00
35	40228428	LOWER_TIMING_BELT_COVER				1.00
36	-	SCREW				3.00
37	-	WASHER				3.00
38	40228429	PRESSER_BUSHING_UPPER				1.00
39	40228430	PRESSER_LOWER_BUSHING				1.00
40	40228431	PRESSER_CYLINDER_ARM				1.00
41	40228432	CYLINDER				1.00
42	-	SCREW				2.00
43	-	SCREW				2.00
44	-	WASHER				2.00
45	-	SPRING_WASHER				2.00
46	-	CUTTING_CYLINDER_BASE				1.00
47	40228433	KNIFE_PRESSER_SHAFT				1.00
48	40228434	BASE				1.00
49	PS0200082KH	SPRING PIN				1.00
50	WS0410002KP	SPRING WASHER				1.00

51	WP0460556SD	WASHER 4.6X7.5X0.5				1.00
52	-	BRACKET_A				1.00
53	-	PLATE_A				1.00
54	-	SCREW				2.00
55	-	SCREW				1.00
56	-	SPRING_WASHER				1.00
57	-	WASHER				1.00
58	-	PLATE_B				1.00
59	-	SCREW				2.00
60	-	SPRING_WASHER				2.00
61	-	WASHER				2.00
62	-	PLATE_C				1.00
63	-	PLATE_D				1.00
64	-	SCREW_PLATE				1.00
65	-	SCREW				2.00
66	-	SCREW				2.00
67	-	DUST_PROOF_RUBBER				1.00

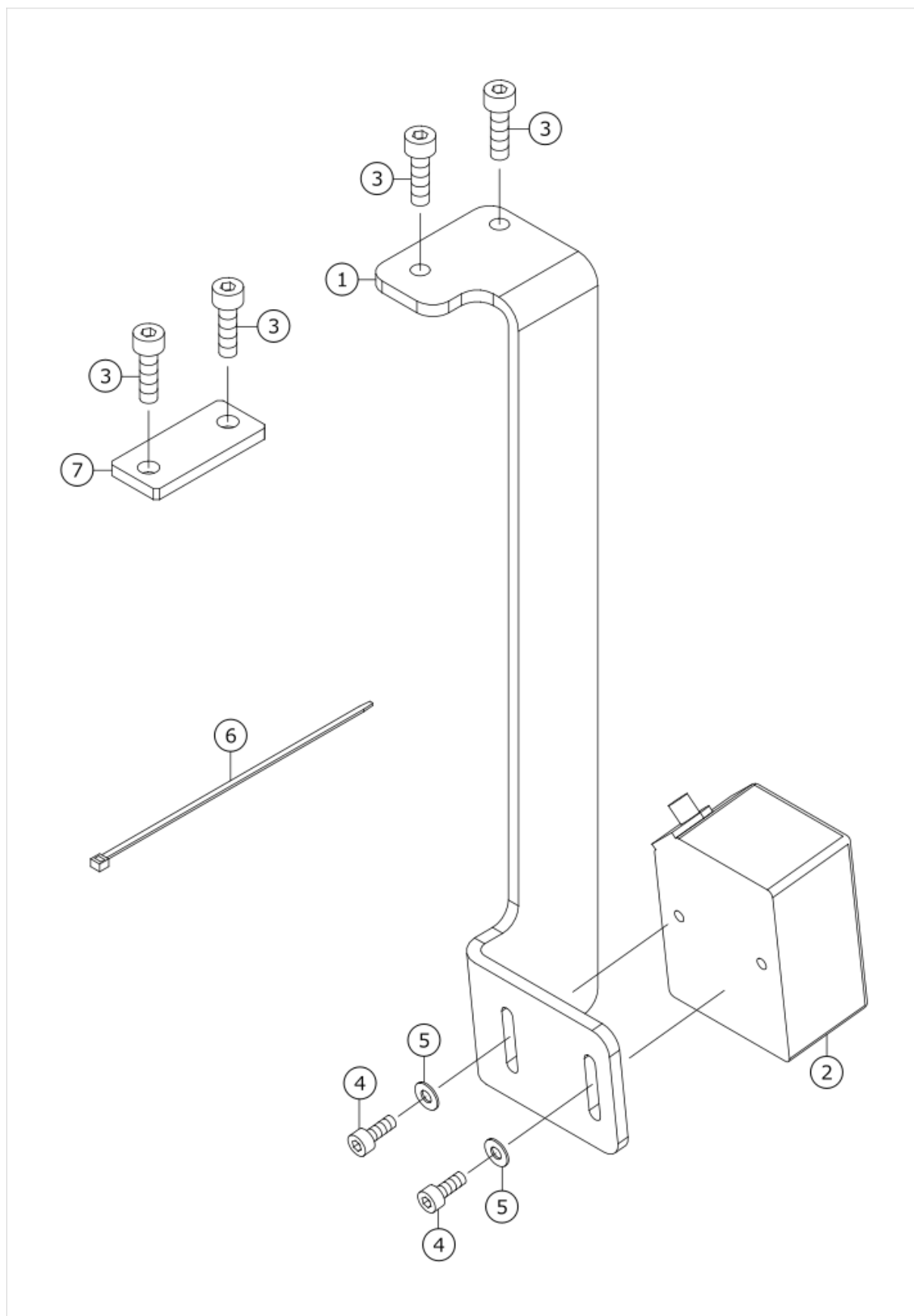
ROTARY KNIFE COMPONENTS (SUBCLASS)



No.	品番	品名	備考	子部品	消耗品	個数
1	-	MOVING_KNIFE_BASE				1.00
2	40228438	MOVING_KNIFE_BUSHING_UPPER				1.00
3	-	ROTARY_MOTOR_MOUNTING_PLATE				1.00
4	40234451	SCREW				8.00
5	-	SPRING_WASHER				8.00
6	-	WASHER				14.00
7	-	SCREW				4.00
8	40228419	SPIN_KNIFE_MOTOR				1.00
9	40228420	MOTOR_TIMING_SPROCKET				1.00
10	-	SCREW				2.00
11	40228421	MOTOR_TIMING_BELT				1.00
12	40235592	TIMING_SPROCKET				1.00
13	40228422	CONNECTION				1.00
14	-	SPRING_WASHER				5.00
15	-	WASHER				5.00
16	40228448	MOVING_KNIFE_PIN_ASM				1.00
17	40228569	MOVING_KNIFE_LOWER_BUSHING_ASM				1.00
18	40228449	CYLINDER_LIFTING_PLATE_ASM				1.00
19	-	SCREW				5.00
20	40228423	MOVING_KINFE_SHAFT_CONNECTING				2.00
21	40235593	SCREW				2.00
22	40228563	WASHER				2.00
23	40228439	SPIN_MOVING_KNIFE_PIN				1.00
24	40228450	RAISING_PLATE_CYLINDER_BASE				1.00
25	40228451	RAISING_PLATE_CYLINDER				1.00
26	40228452	PIPE_JOINT				1.00
27	40228453	OIL_INSTRUCTION_PLATE				1.00
28	40235594	MOVING_KNIFE_ARM				1.00
29	-	SCREW				5.00
30	-	SCREW				4.00
31	40228440	MOVING_KNIFE_MOTOR				1.00
32	-	SCREW				4.00
33	-	MOVING_KNIFE_MOTOR_PLATE				1.00
34	-	MOVING_KNIFE_MOTOR_PLATE_METAL				1.00
35	-	SCREW				2.00
36	-	WASHER				1.00
37	-	WASHER				1.00
38	-	WASHER				1.00
39	-	WASHER				1.00
40	-	SPRING_WASHER				1.00
41	-	NUT				4.00
42	-	SCREW				1.00
43	40228442	REVERSION_SPRING				1.00
44	-	HEIGHT_BLOCK				1.00
45	40228443	NUT				2.00
46	-	MOVING_KNIFE_CYLINDER_PLATE				1.00
47	-	SCREW				1.00
48	40228444	CYLINDER				1.00
49	-	PIPE_JOINT				2.00
50	-	NUT				2.00

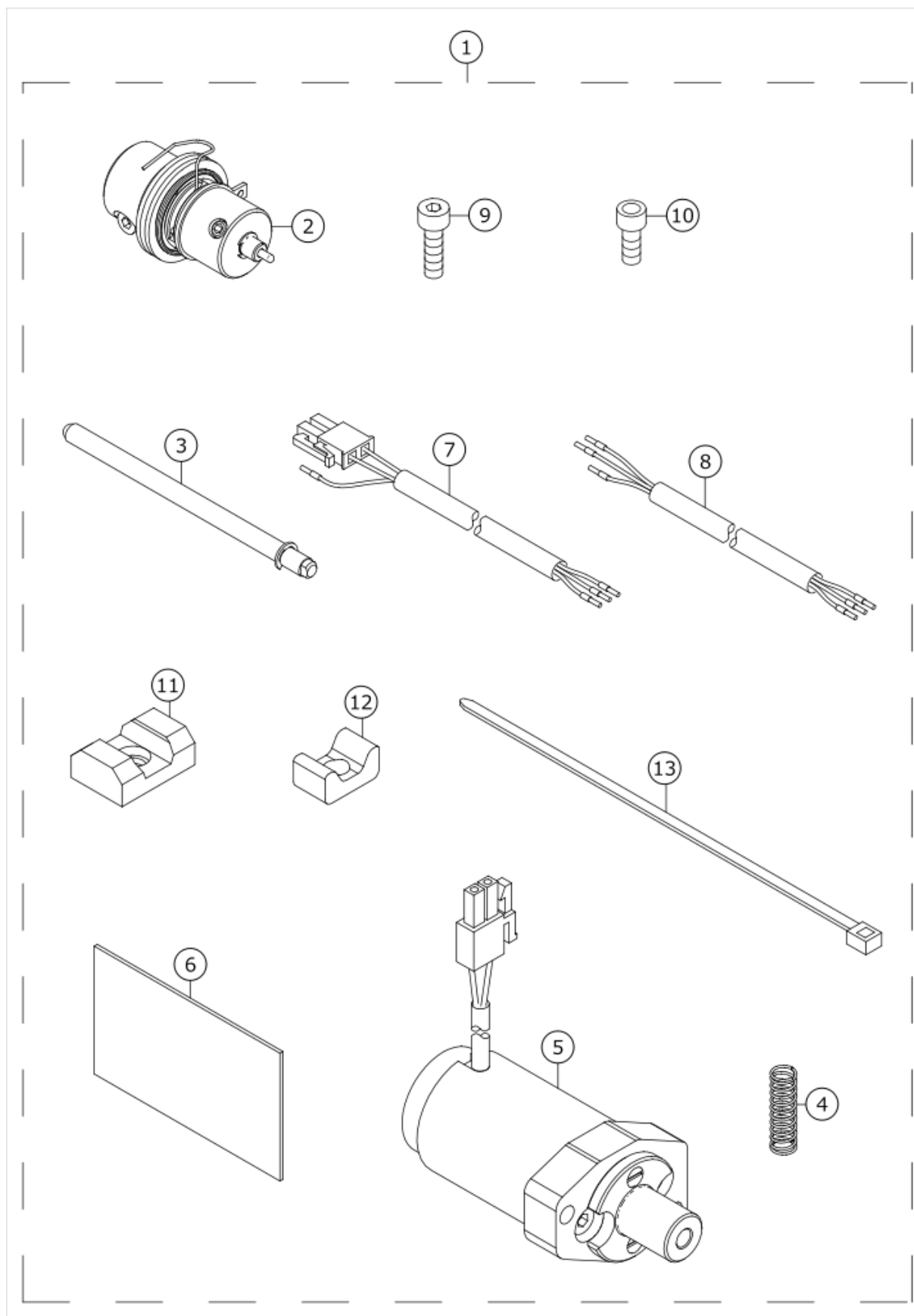
51	40228445	SPIN_MOVING_KNIFE_SHAFT				1.00
52	-	MOVING_KNIFE_CLAMP				1.00
53	40234439	SCREW				2.00
54	40237598	MOVING_KNIFE_COVER				1.00
55	40228712	MOVING_KNIFE				1.00
56	40228447	MOVING_KNIFE_BASE_SEAT_PLATE				1.00
57	-	SCREW				7.00
58	40228568	MOVING_KNIFE_COVER				1.00
59	-	SCREW				4.00
60	40239269	REST_SPRING_LINK_PLATE_B				1.00
61	40238353	RESET_SPRING_LINK_PLATE				1.00

BARCODE READER (SUBCLASS)



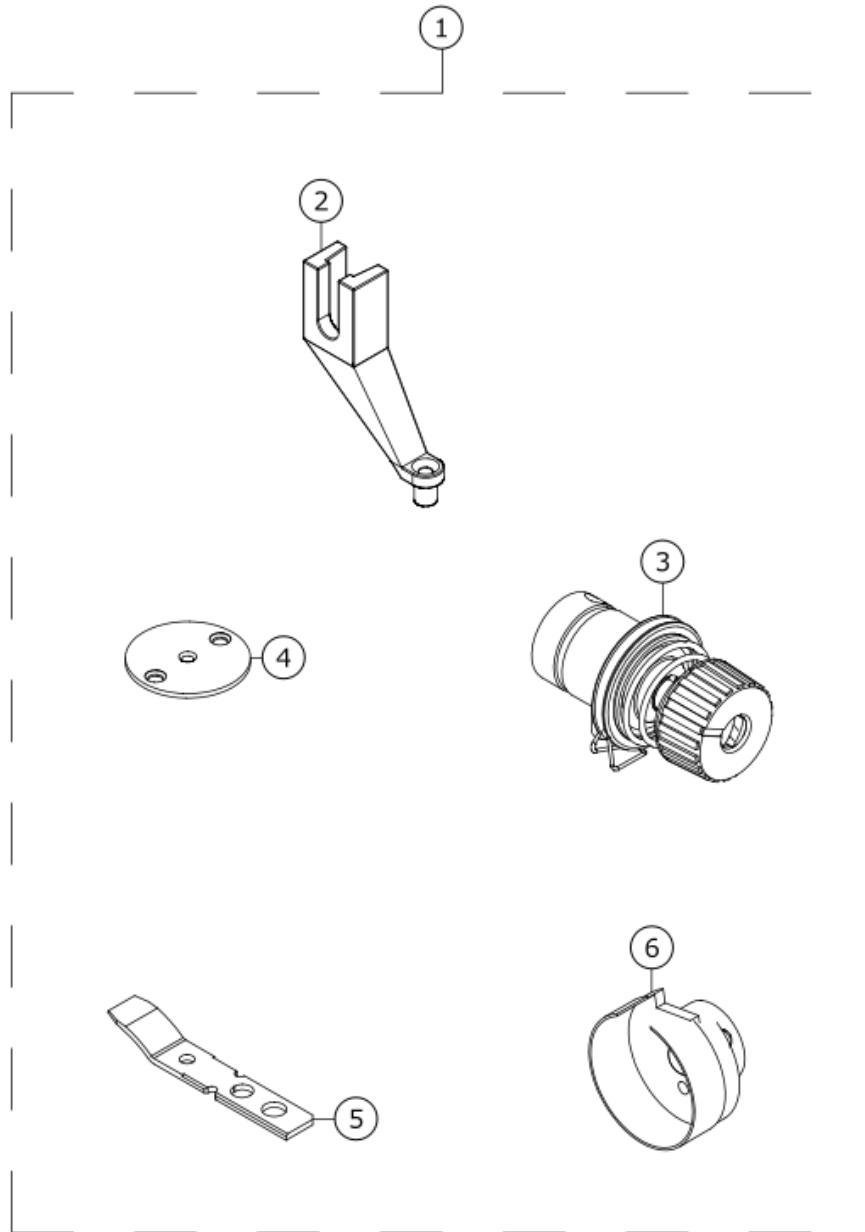
No.	品番	品名	備考	子部品	消耗品	個数
1	40234788	BARCODE_READER_PLATE				1.00
2	40235199	BARCODE_READER				1.00
3	40234468	SCREW				4.00
4	40235200	SCREW				2.00
5	40234514	WASHER				2.00
6	40235332	CABLE_BAND				1.00
7	40240831	PLATE				1.00

ACTIVE TENSION COMPONENTS



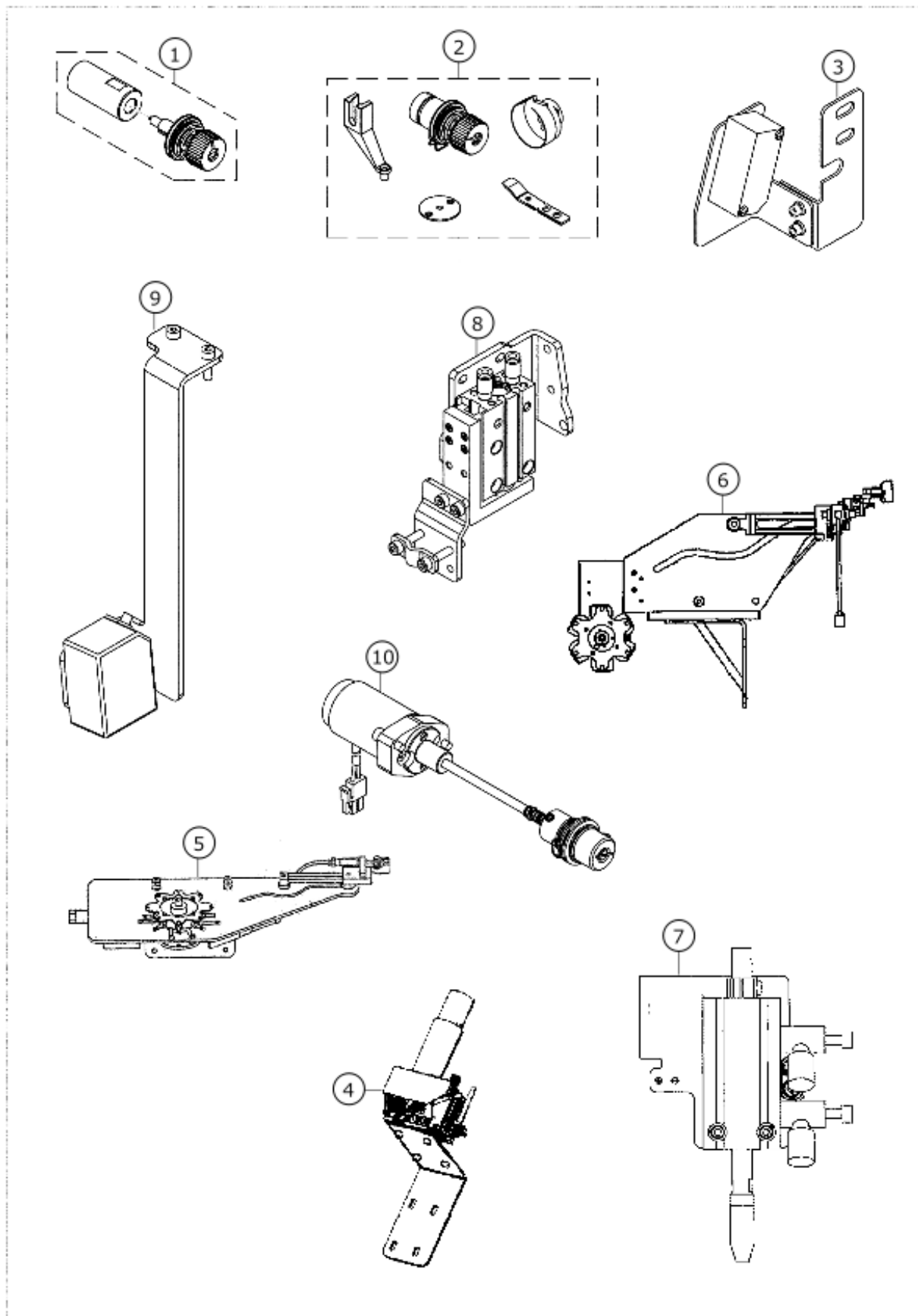
No.	品番	品名	備考	子部品	消耗品	個数
1	40228700	ACTIVE_TENSION_DEVICE				1.00
2	40172470	THREAD_TENSION_ASM		*		1.00
3	40244934	THREAD_TENSION_SHAFT_ASSY		*		1.00
4	40243919	AT_SPRING		*		1.00
5	40244974	AT_SOLENOID_ASSY		*		1.00
6	40243045	AT_SOL_PCB_ASSY		*		1.00
7	40243046	AT_SOL_CABLE ASSY_A		*		1.00
8	40243047	AT_SOL_CABLE ASSY_B		*		1.00
9	SM6041402TP	SCREW M4 L=14		*		2.00
10	SM6041002TN	SCREW		*		1.00
11	KX000000210	SADDLE TYPE TIE MOUNT		*		2.00
12	HX002940000	FIXED BASE		*		1.00
13	EA9500B0200	CABLE BAND 150		*		6.00

THICK MATERIAL KIT COMPONENTS



No.	品番	品名	備考	子部品	消耗品	個数
1	40228701	THICK_MATERIAL_KIT				1.00
2	40225509	INTERMEDIATE_PRESSER_D3.5		*		1.00
3	40234081	THREAD_TENSION_ASM		*		1.00
4	40225499	NEEDLE_PLATE_D3.0		*		1.00
5	40234080	FIXED_KNIFE		*		1.00
6	40234079	HOOK_ASM		*		1.00

OPTIONAL PARTS COMPONENTS



No.	品番	品名	備考	子部品	消耗品	個数
1	40228696	THIRD_THREAD_TENSION_UNIT				1.00
2	40228701	THICK_MATERIAL_KIT				1.00
3	40228698	LOWER_THREAD_DETECTOR_ASSY				1.00
4	40228695	BIRD_NEST_PREVENTION_DEVICE				1.00
5	40228699	AUTO_BOBBIN_CHANGER BK-8				1.00
6	40228702	BOBBIN_CHANGER_DEVICE				1.00
7	40228670	PEN_STICK_ASSY				1.00
8	40228686	PEN_STICK_ASSY				1.00
9	40235197	BARCODE_READER_UNIT				1.00
10	40228700	ACTIVE_TENSION_DEVICE				1.00

ABOUT PS-800 OPTION

※PS800のオプション装置は後から仕様追加しているため、対応実施号機以前のものは、一時的に別途対応が必要となります。オプションの種類によって対応が異なりますので、下の表にもとづき対応をお願いします。また装置の詳細情報は、web取説（別売品）を参考にしてください。

PS-800 OP一覧表	持ち上げ装置	厚物キット	第3系調子	へん利し装置	
				N社タイプ	P S700タイプ
	40239772	40228701	40228696	40228670	40228686
8045	S仕様	0	0	0	0
	H仕様	0	0	0	0
	回転メス	0	0	0	0
	レーザー	0	0	0	0
12080	S仕様	-	0	0	0
	H仕様	-	0	0	0
	回転メス	-	0	0	0
	レーザー	-	0	0	0
13085	S仕様	-	0	0	0
	H仕様	-	0	0	0
	回転メス	-	0	0	0
	レーザー	-	0	0	0

PS-800 OP一覧表	下系残量検知装置	バーコードリーダ	鳥の巣防止装置	アクティブテンション		
				装置	ボピンチェンジャー BK-8	BK-9
	40228698	40235197	40228695	40228700	40228699	40228702
8045	S仕様	1	1	1	2	2
	H仕様	1	1	1	2	2
	回転メス	1	1	1	2	2
	レーザー	1	1	1	2	2
12080	S仕様	1	1	1	2	2
	H仕様	1	1	1	2	2
	回転メス	1	1	1	2	2
	レーザー	1	1	1	2	2
13085	S仕様	1	1	1	2	2
	H仕様	1	1	1	2	2
	回転メス	1	1	1	2	2
	レーザー	1	1	1	2	2

注1)

- 0 記載品番手配のみで対応可
- 1 記載品番手配と別に対応が必要なもの① + 1 パネルソフトバージョンアップ (ver162N以降)
- 2 記載品番手配と別に対応が必要なもの② + 1 パネルソフトバージョンアップ (ver162N以降) + 2 パラメータファイル書換標準装備されているもの

注1) アクティブテンションを取付には、フレームの素材(型)を変更する必要があるため、対応実施号機以前は対応不可。

- ① パネルソフトバージョンアップ オプションに対応するため、パネルソフトを更新する必要があります。
- ② パラメータファイル書換 オプションに対応するため、パラメータファイルを書き出し書換が必要となります。(信号出力ポート割当変更)
- ① パネルソフトバージョンアップ(下系残量検知、バーコードリーダ、鳥の巣装置、アクティブテンション、ボピンチェンジャーへの対応は必要となります。パネルソフトver162N以上に書き換え、JOLIに添付)
- ② パラメータファイル書換についてボピンチェンジャーBK-8、BK-9への対応は必要となります。
パラメータファイル書き出し(添付資料参照) → JUKI (開発中心) → パラメータ ファイル書換

※注意 ボピンチェンジャーについて

ボピンチェンジャーを取付するためには、アルミフレーム(カバー含む)の交換が必要となります。2020年8月生産ミシンより、出荷状態で対応となりますので交換は不要となります。対応実施号機以前のミシンにおいては、アルミフレームを含めた下記品番での手配をお願いします。

OP装置	機種名	品番				
BK-8	8045	40246945	40228699 BK-8	+	アルミフレーム	2020年8月以前生産のミシンはアルミフレームを含めた品番での手配が必要です。
	12080	40246947				
	13085	40246949				
BK-9	8045	40246951	40228702 BK-9	+	アルミフレーム	
	12080	40246953				
	13085	40246955				

2020年8月以降生産のミシンは対象機種BK-8か、BK-9装置のみのPS800-8045 1MP5PH0050～PS800-12080 1MP6PH0050～PS800-13085 1MP6PH0050～

※注意 アクティブテンションについて

アクティブテンションを取付するためには、フレームの素材変更が必要となります。対象号機でない場合は、取付ができません。

機番	実施号機	
8045	1MP5NM0030～	2019年 12月生産分より切替
12080	1MP6NM0043～	
13085	1MP7NM0027～	

HOW TO MAKE USE OF THIS PARTS LIST

1.Explanation of codes

1)"*"mark.....means this part is changed from the previous parts book.

As to the details of the change, refer to the "List for information of change".

2)"#01".....refer to "Note" explanation at bottom of page.

2.Codes on the "Qty" column

· Each numeral indicates the number of parts required.

· "0.1" and "2.5" indicate the length (in meters) of the respective parts.

3.Parentheses mean that the corresponding part is a subpart that constructs an assembly part.

4.Dotted lines on the Figures indicate assembly parts.

5.As to the parts with marks of "☆"(consumable parts) and "◎"(optional parts)on the respective parts, it is recommended to prepare spares.

1."注記"欄の記号説明

1) "*"印.....前回のパーツブックに比較して今回変更された部品を意味します。

変更内容は、"変更情報リスト"を参照してください。

2) "#01".....ページ下の"注記"の説明を参照してください。

2.数量欄の数字は、個数を表し、0.1、2.5等の数値は、長さ（単位メートル）を表します。

3.数量欄の（ ）は、組部品を構成している子部品であることを意味します。

4.イラストページの-----枠は、組構成であることを意味します。

5.リストページの"☆"（消耗部品）、"◎"（オプション部品）の印がついた部品は、予備を準備しておくことをお奨めします。