

SIRUBA®

銀箭牌工業用縫紉機

INDUSTRIAL SEWING MACHINE

L818F-DM1

WITH TRIMMER


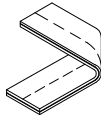
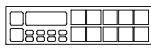
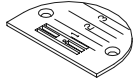
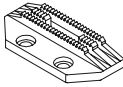
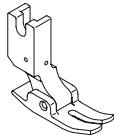

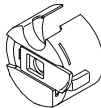


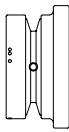


零件圖 PARTS LIST



CE

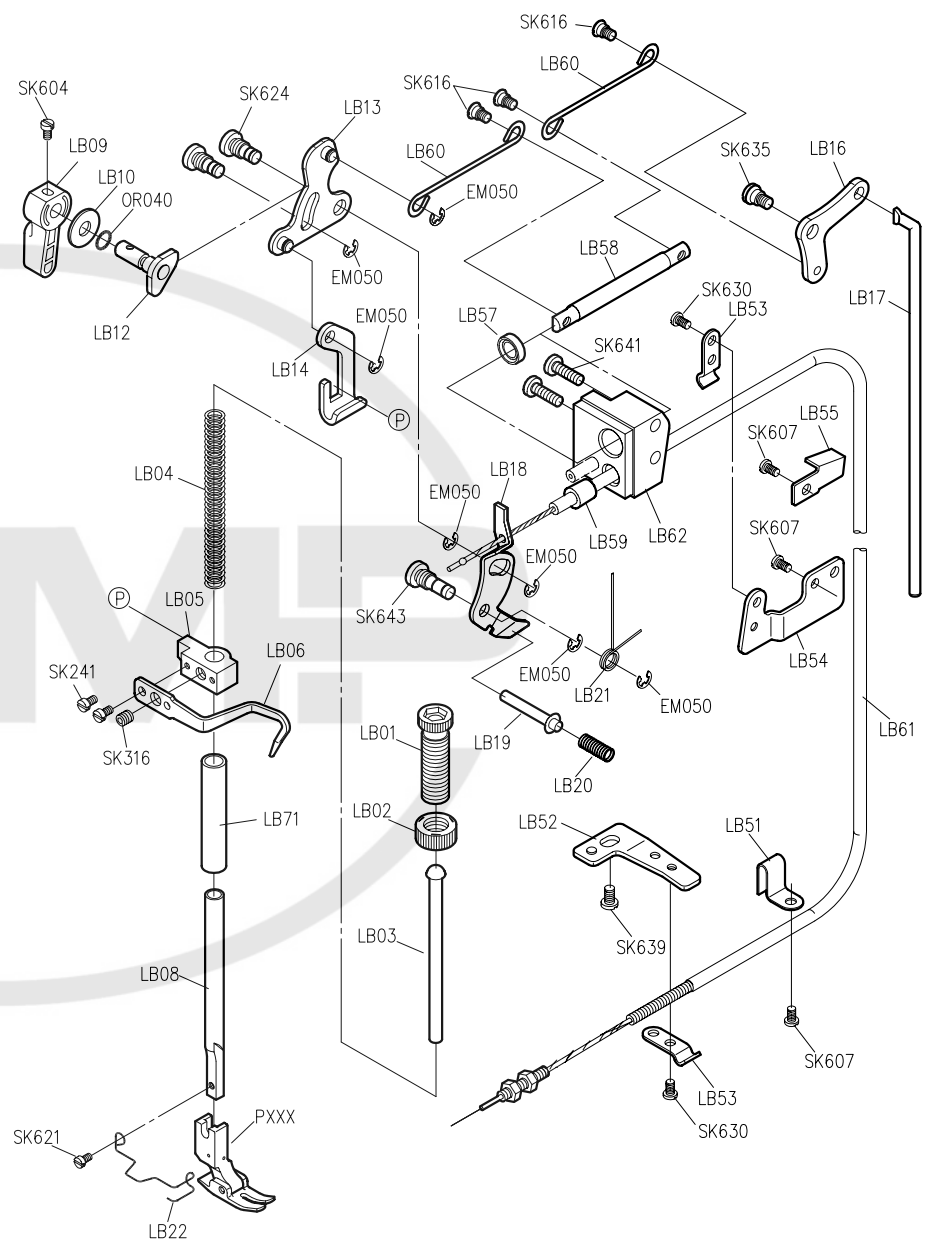
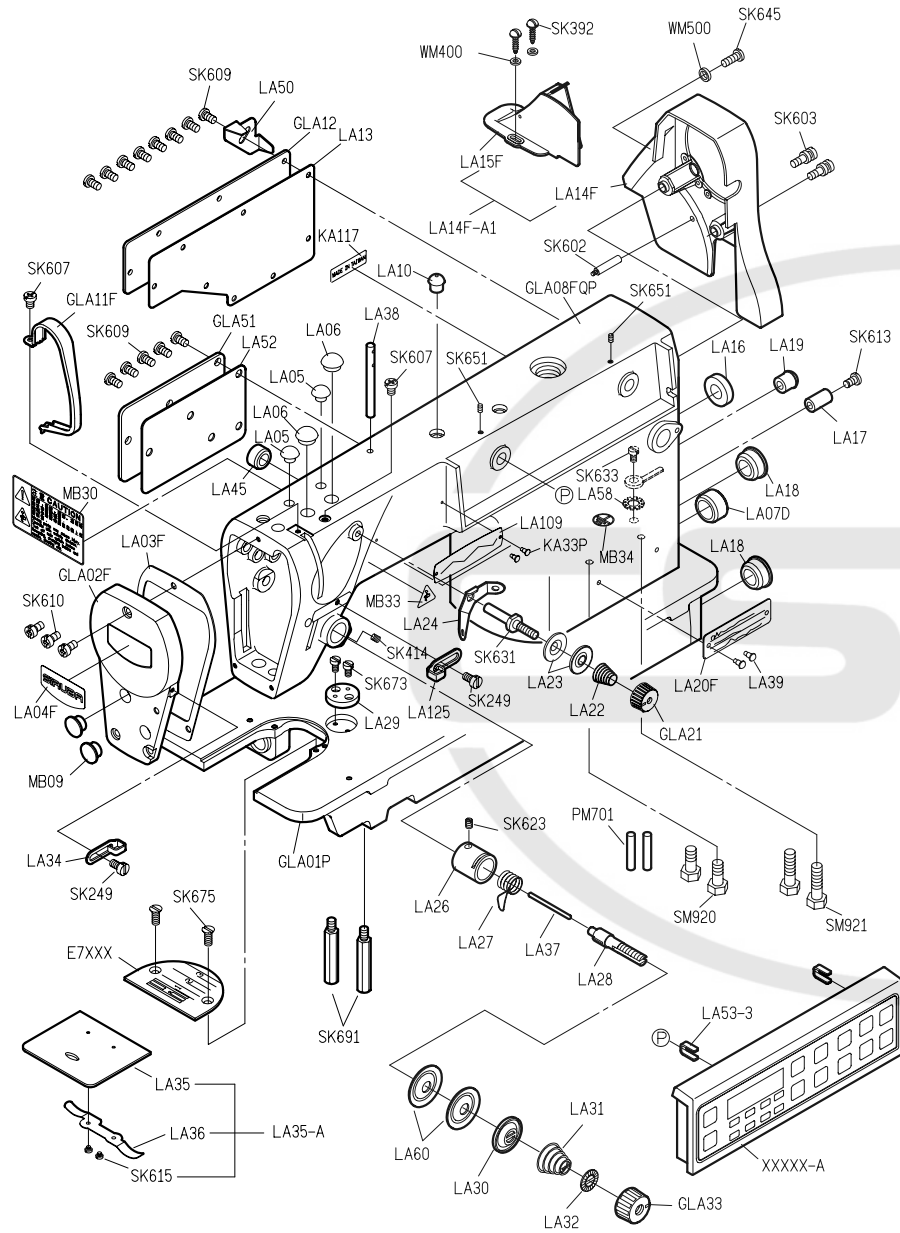


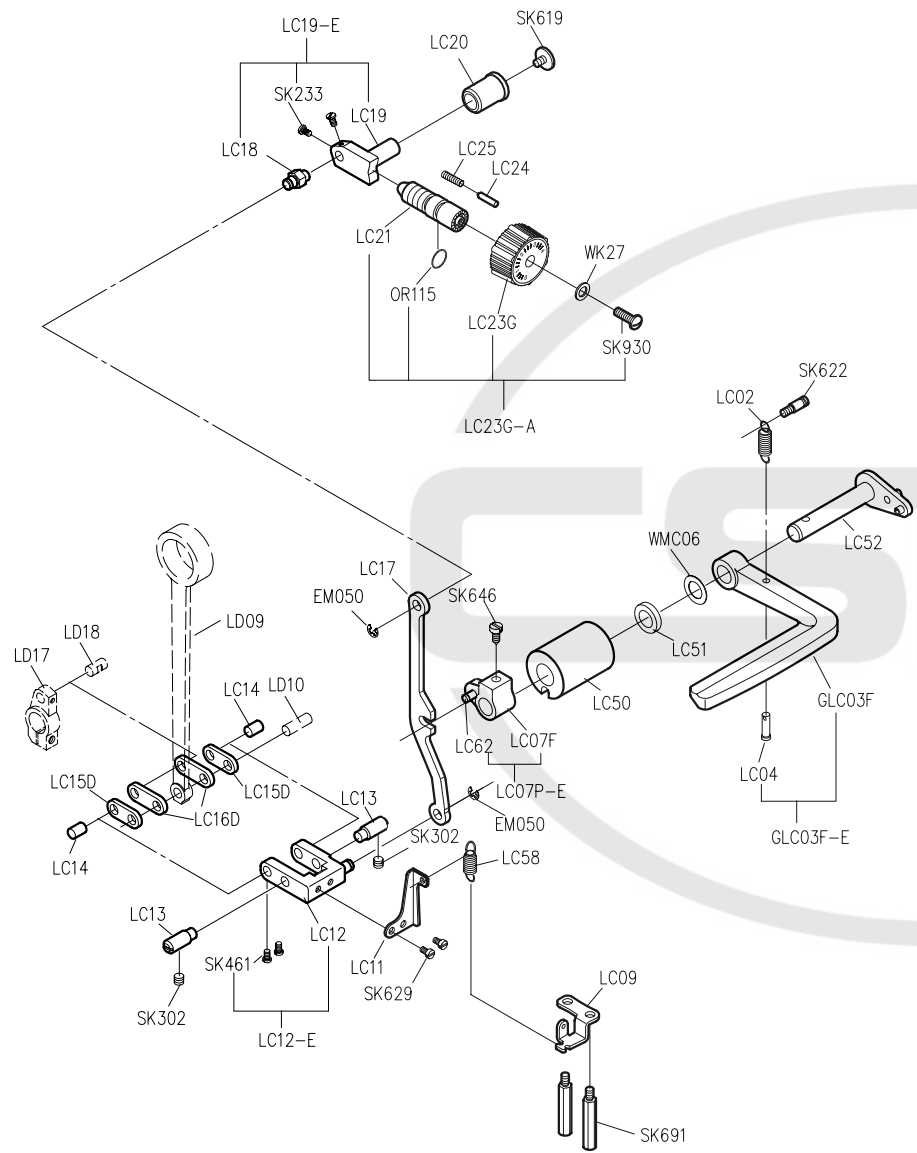
高林股份有限公司
KAULIN MFG. CO., LTD.

										
MODEL	SUB-CLASS	OPERATING PANEL	NEEDLE PLATE	FEED DOG	PRESSER FOOT	HOOK ASM	BOBBIN CASE ASM	BOBBIN	NEEDLE	HAND WHEEL
機 型	規 格	操作盒	針 板	送 具	押 具	梭 頭	梭 殼	梭 子	針 號	皮 帶 輪
L818F-DM1-00 ? L818F-DM1-03	半無油式	LA55F-A	E704	D701	P701	G121	G202	G303	DB*1#11	GLH01-A1
L818F-DM1-00A ? L818F-DM1-03A			中厚布料	E704D	D701	P701	G121	G202	G303	DB*1#11
L818F-DM1-10 ? L818F-DM1-13		 L600	E704	D701	P701	G121	G202	G303	DB*1#11	GLH01-A1
L818F-DM3-00 ? L818F-DM3-03	無油式	LA55F-A	E701	D701	P701	G141	G206	G303	DB*1#11	GLH01-A1
L818F-DM3-00A ? L818F-DM3-03A			中厚布料	E701	D701	P701				
L818F-DM3-10 ? L818F-DM3-13		 L600	E701	D701	P701	G141 G142	G206	G303	DB*1#11	GLH01-A1

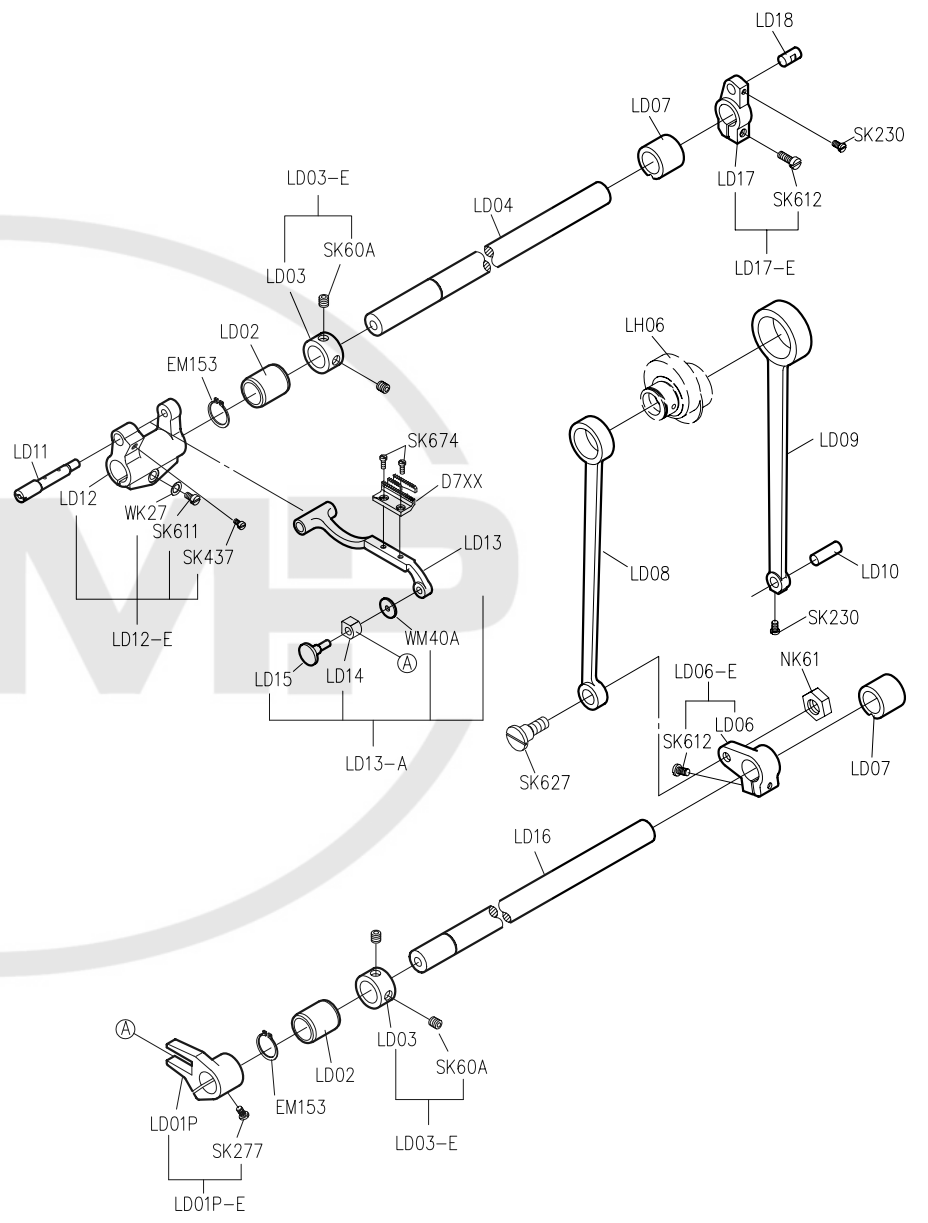
PARTS LIST FOR LA GROUP

PARTS LIST FOR LB GROUP





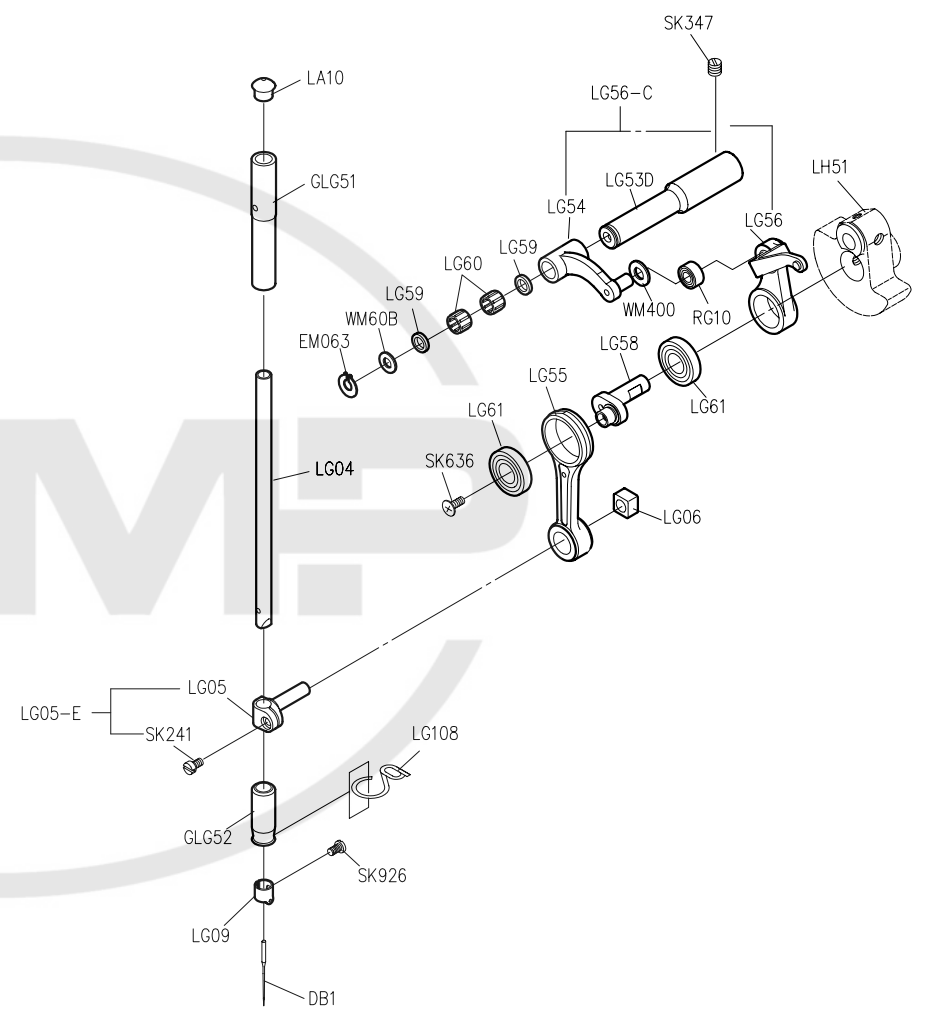
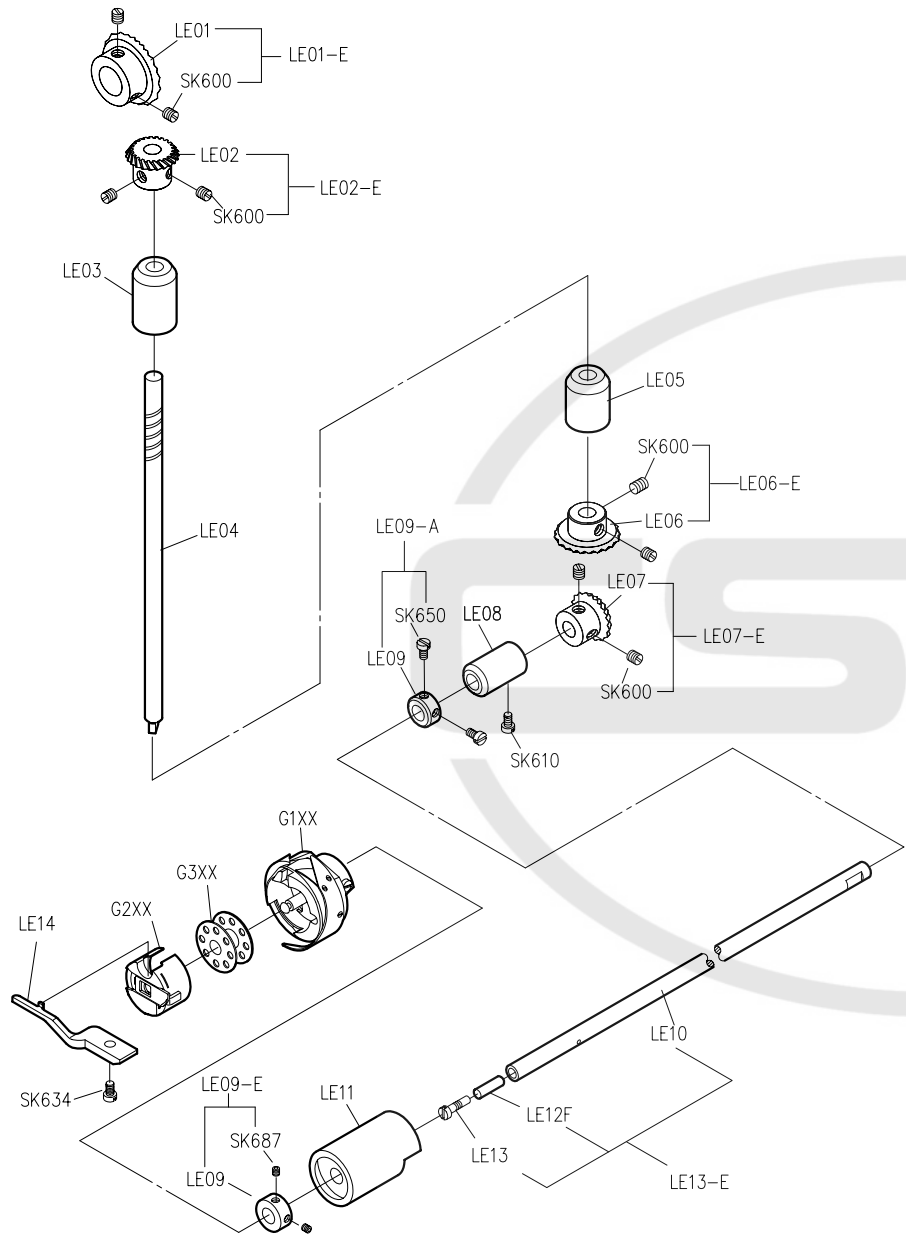
PARTS LIST FOR LC GROUP

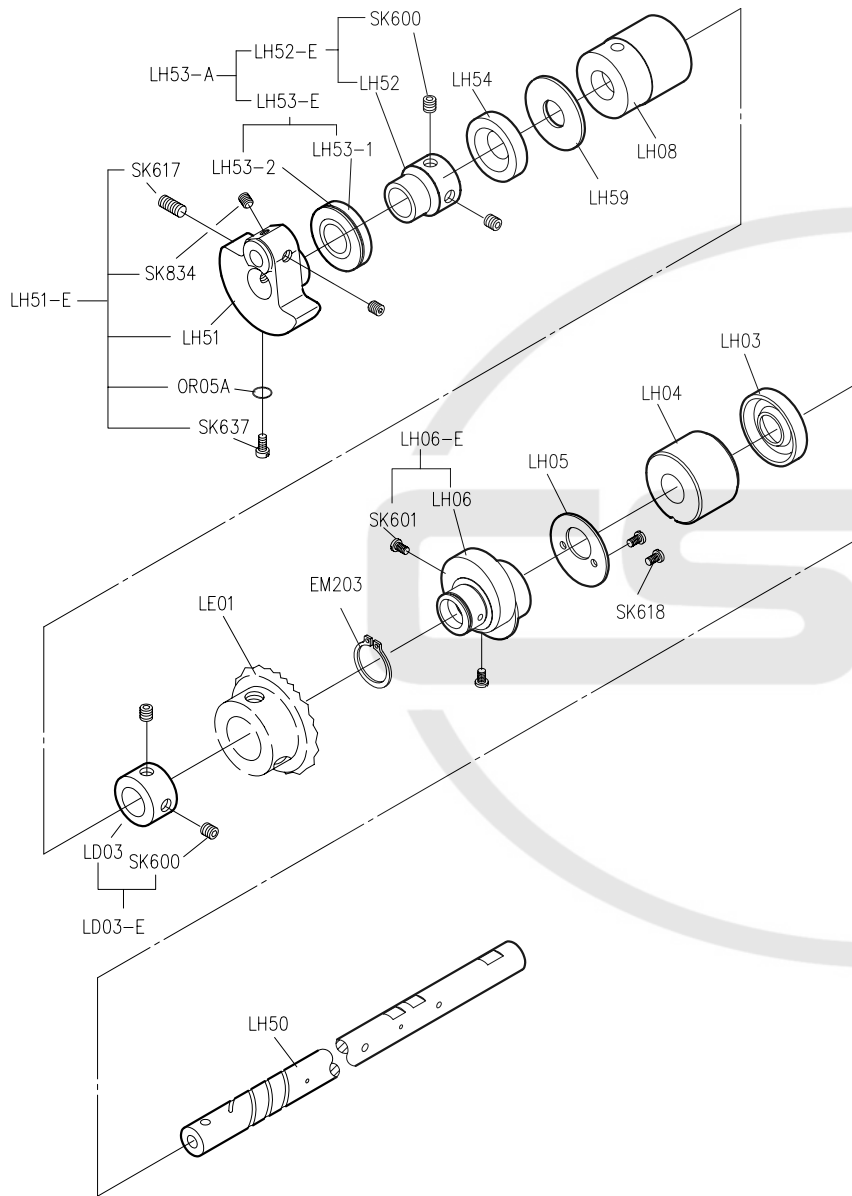


PARTS LIST FOR LD GROUP

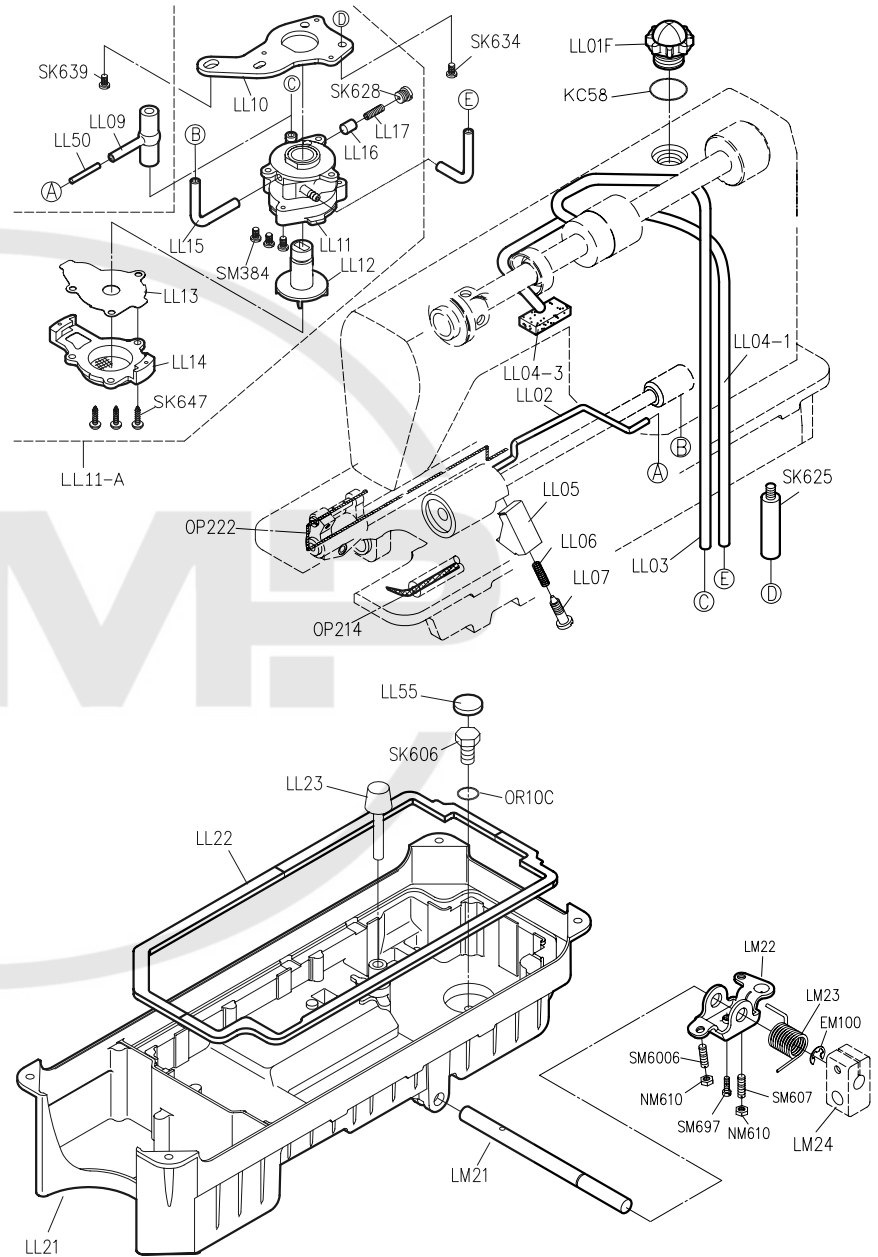
PARTS LIST FOR LE GROUP

PARTS LIST FOR LG GROUP





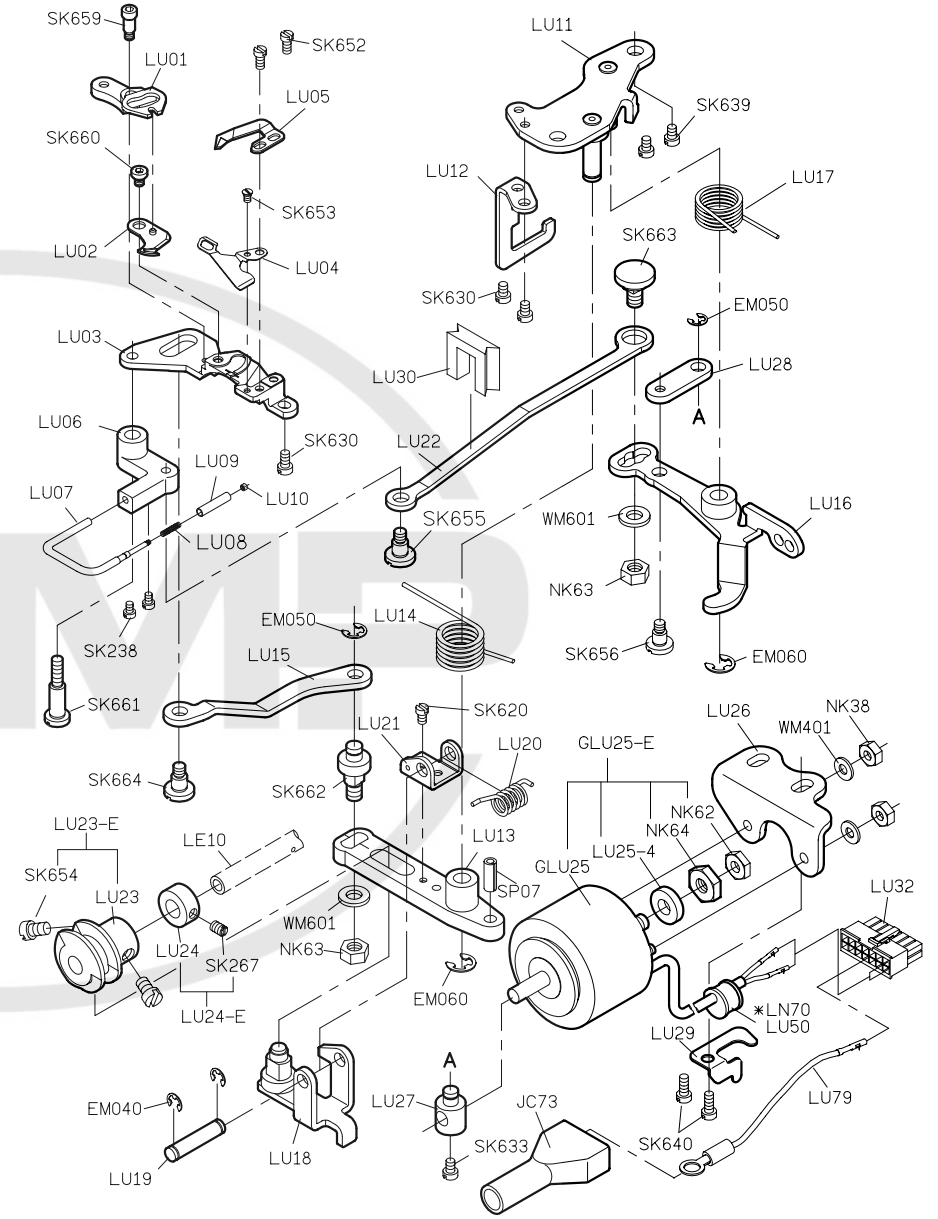
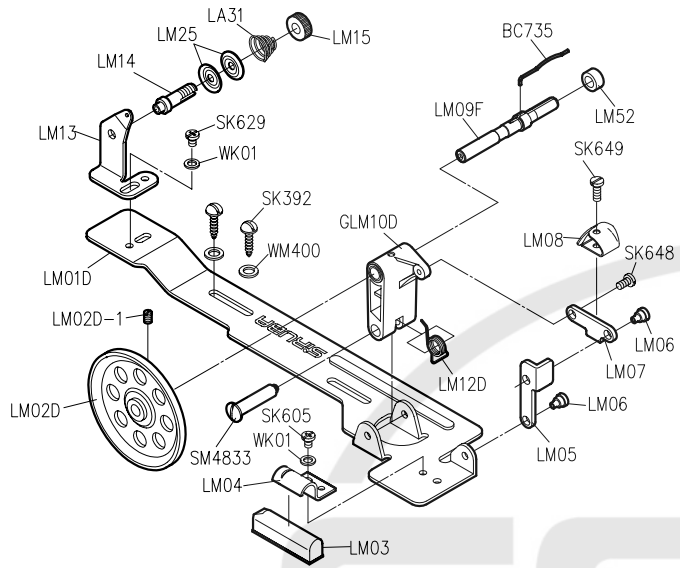
PARTS LIST FOR LH GROUP



PARTS LIST FOR LL GROUP

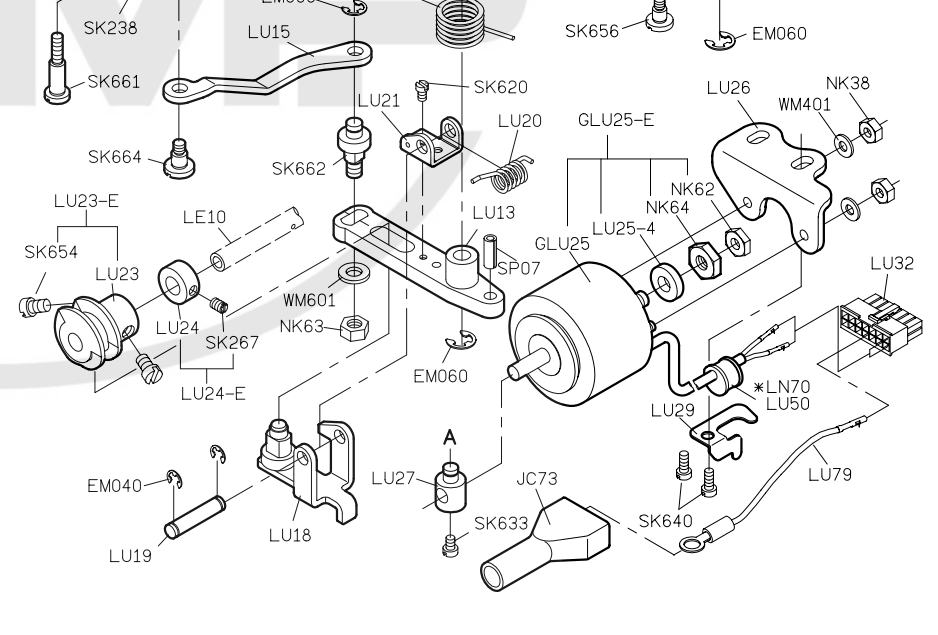
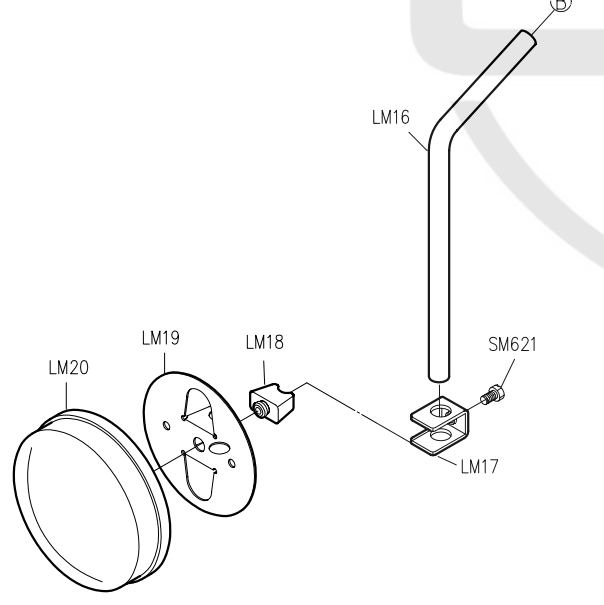
PARTS LIST FOR LM GROUP

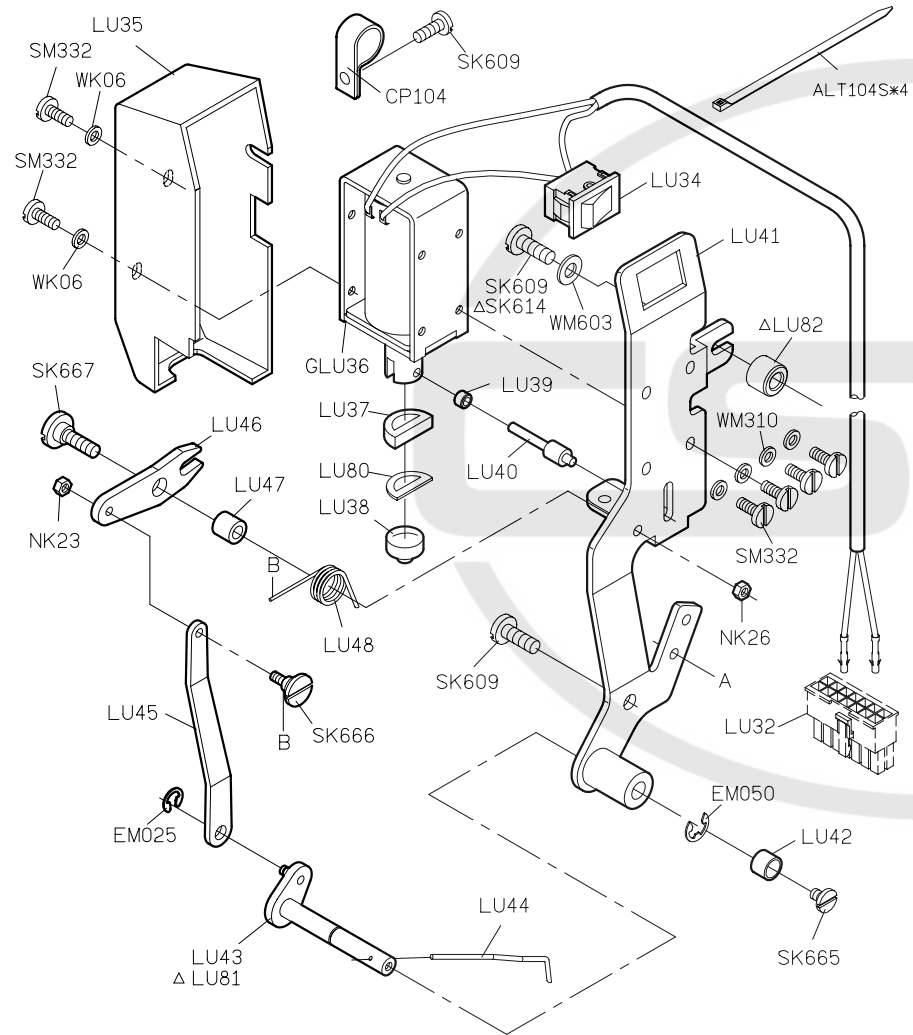
PARTS LIST FOR LU (1) GROUP



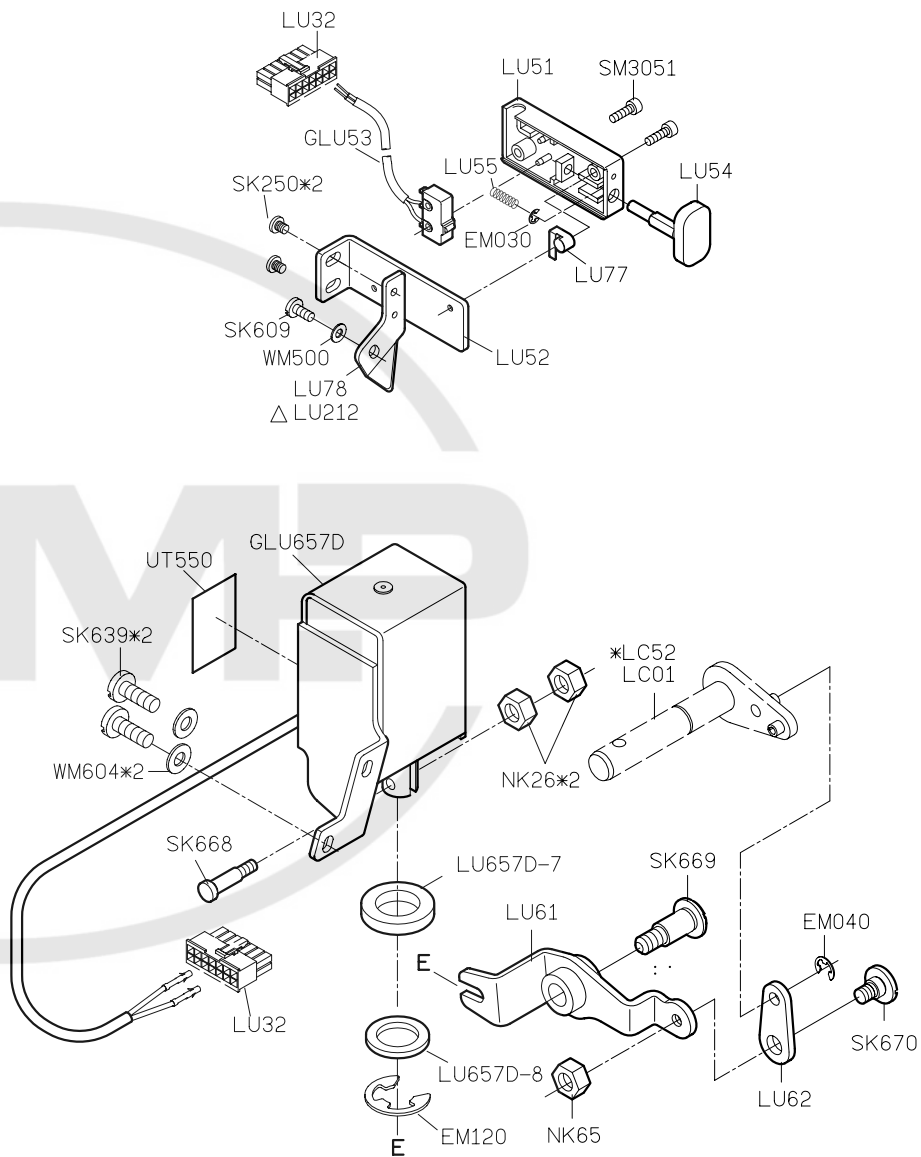
LM20-A

LM24-E





PARTS LIST FOR LU (2) GROUP

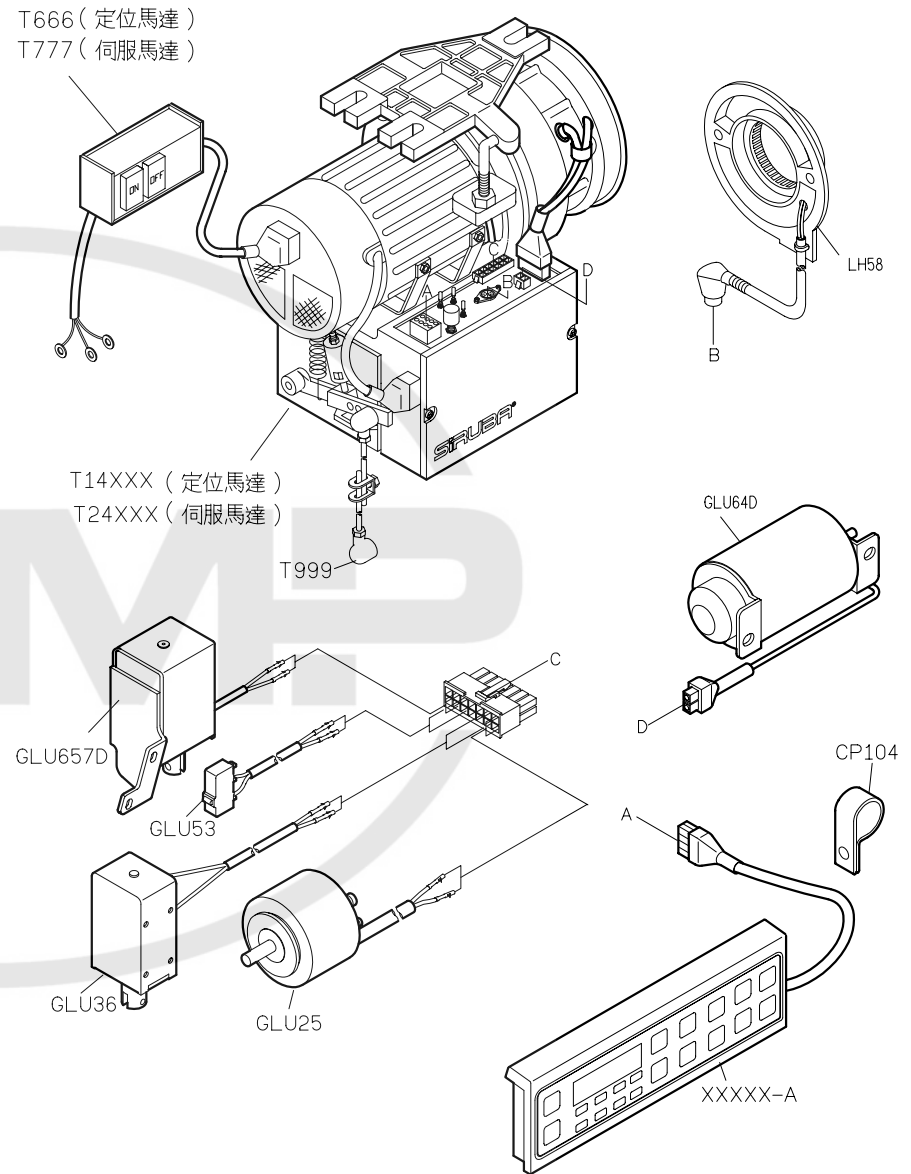
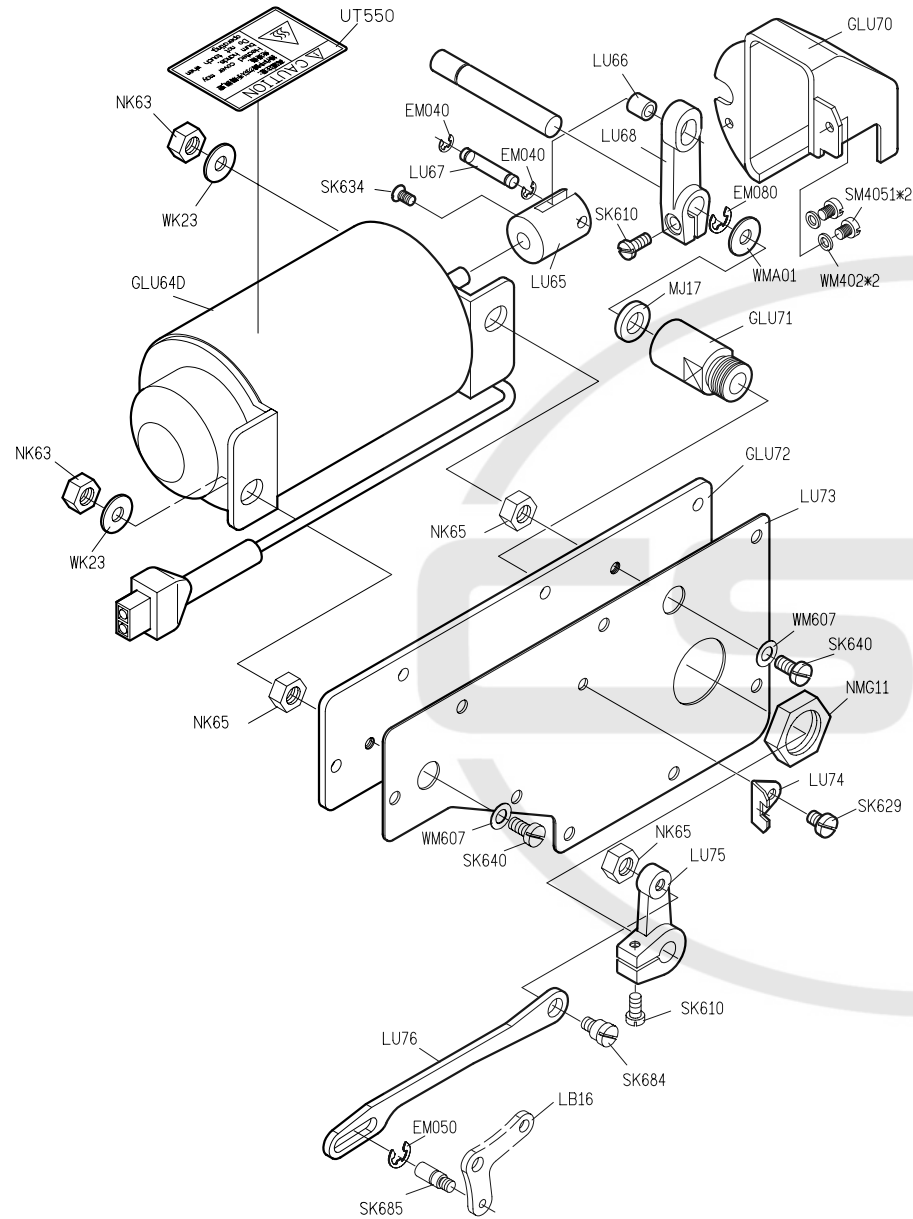


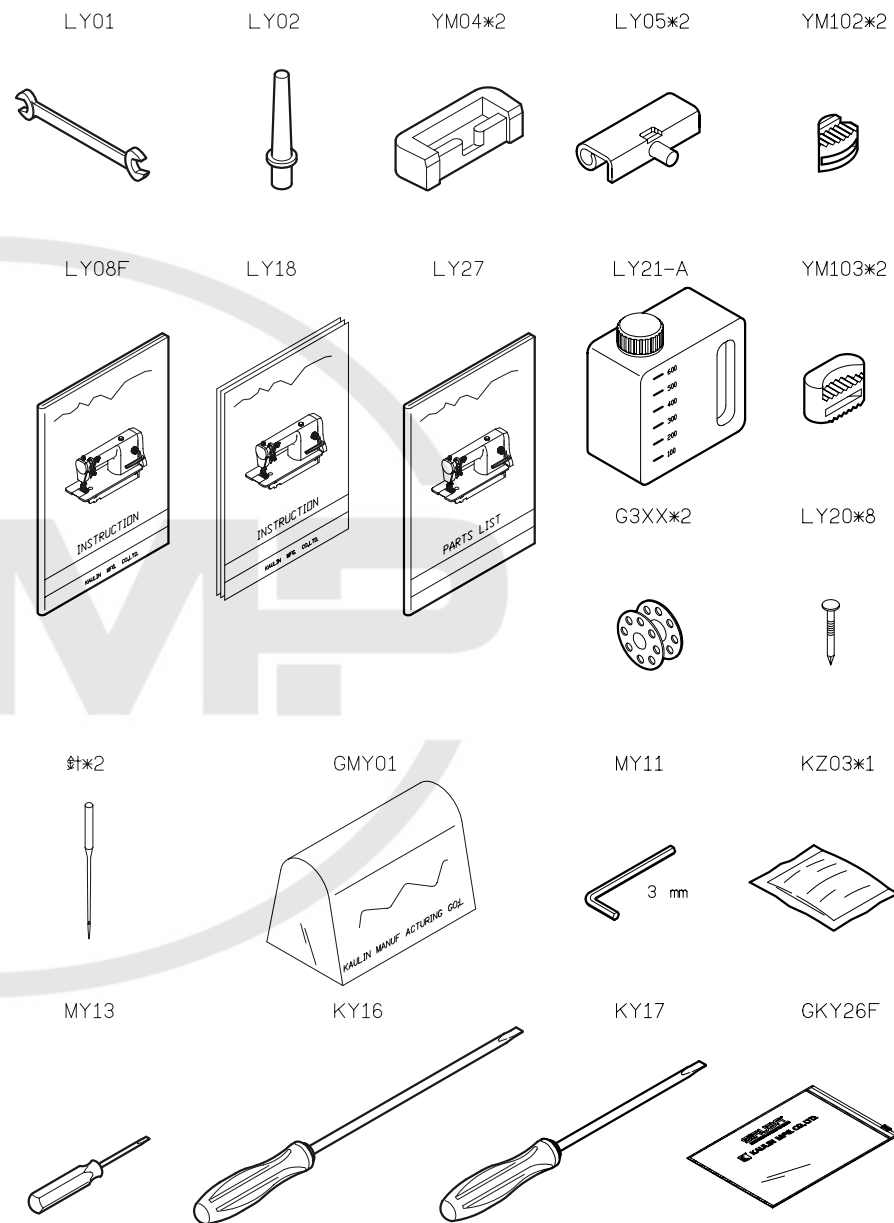
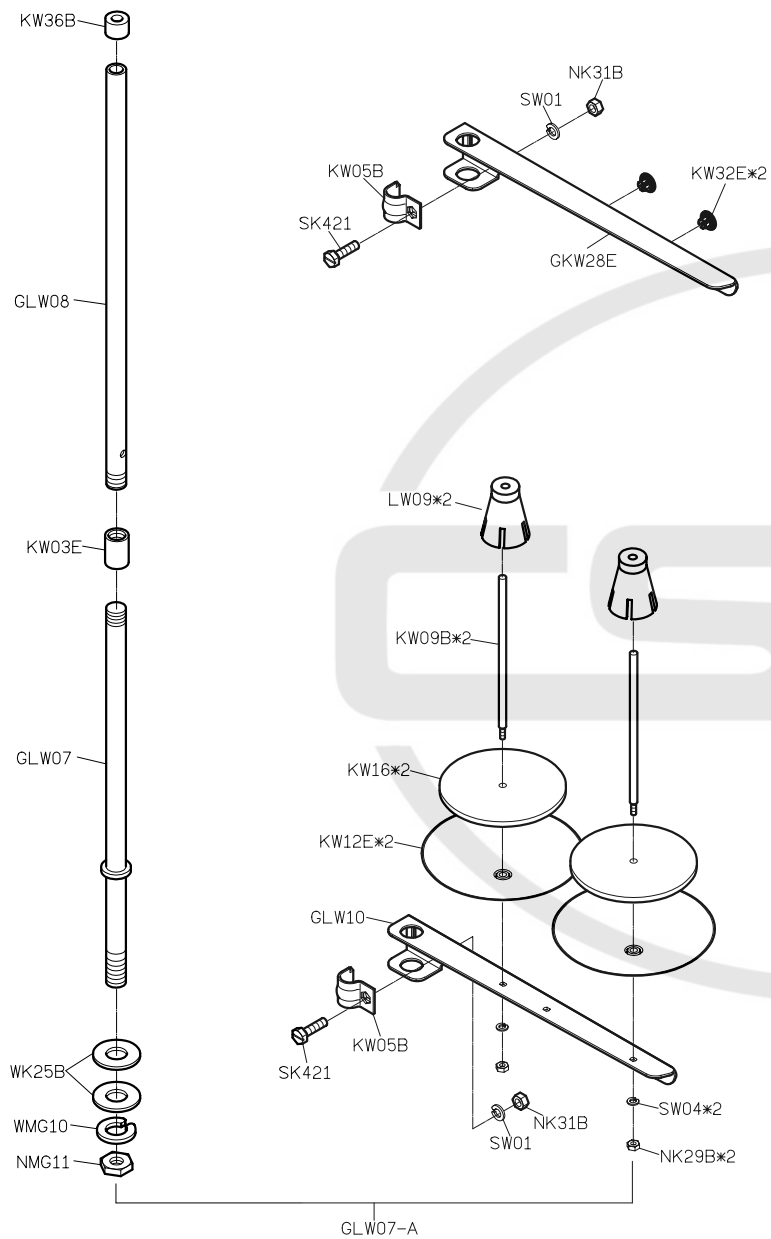
* ONLY FOR L818F-DM1 TRIMMER/L818F-DM3 TRIMMER
 △ ONLY FOR L818F-RM1 TRIMMER

PARTS LIST FOR LU (3) GROUP

PARTS LIST FOR LU (4) GROUP

PARTS LIST FOR LU (5) GROUP

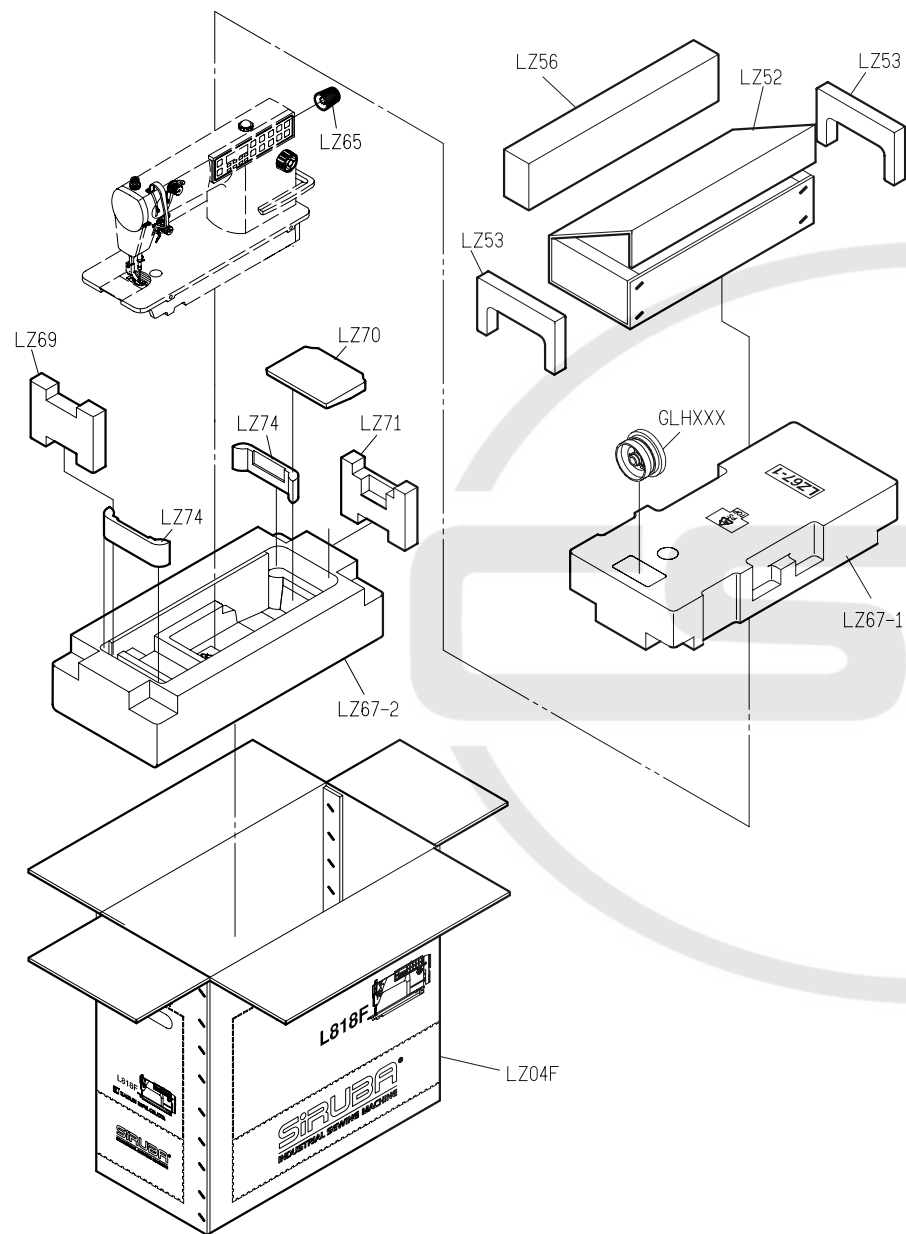




PARTS LIST FOR THREAD STAND GROUP

PARTS LIST FOR LY GROUP

PARTS LIST FOR LZ GROUP





L818F-DM1

WITH TRIMMER

高林股份有限公司 KAULIN MFG. CO., LTD.



The specification and/or appearances of the equipment described in this parts list are subject to change because of modification without previous notice.

LY27. NOV. 2006