

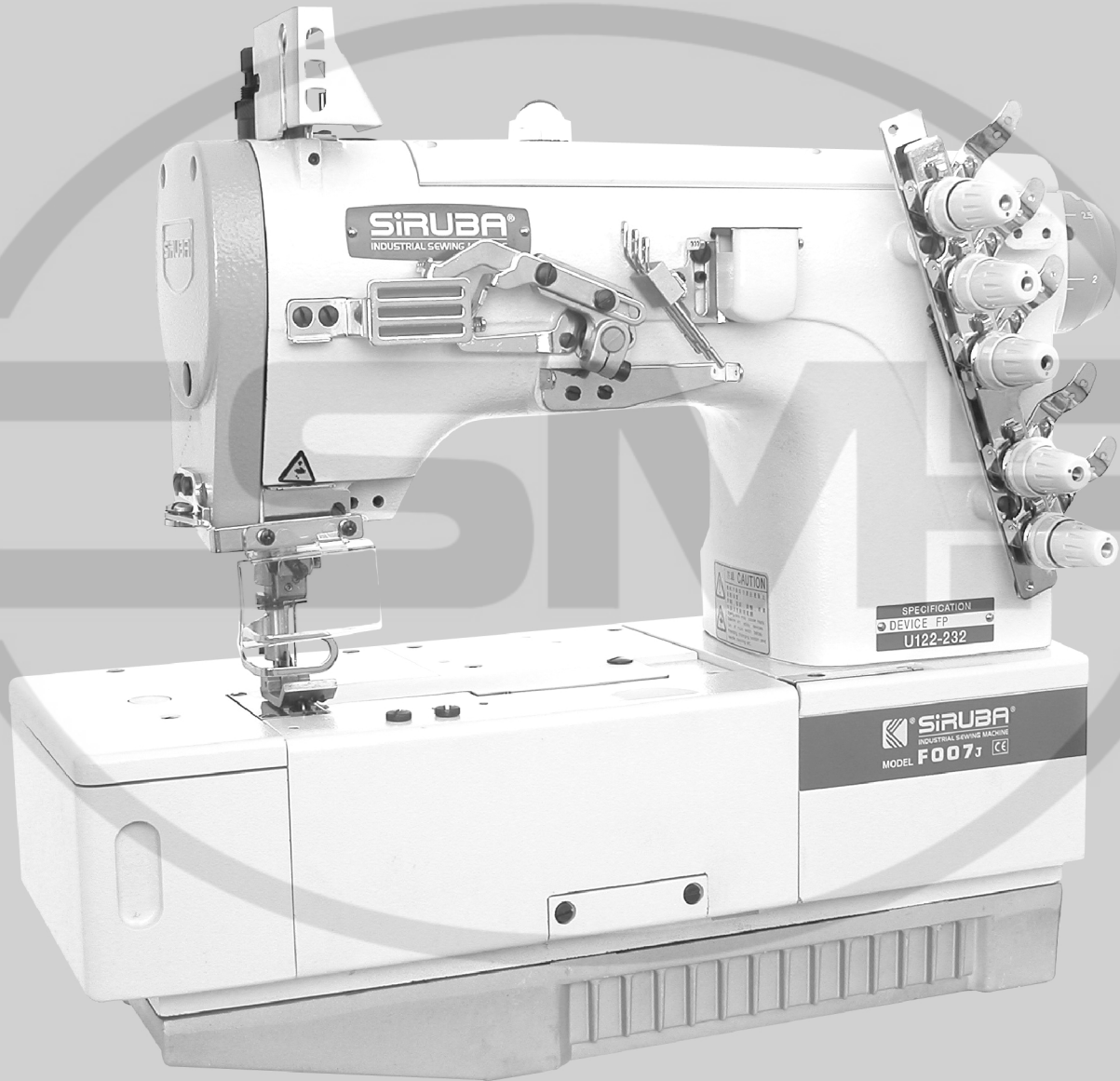
# SIRUBA®

銀箭牌工業用縫紉機

INDUSTRIAL SEWING MACHINE

# F007J/JD ATTACHMENT

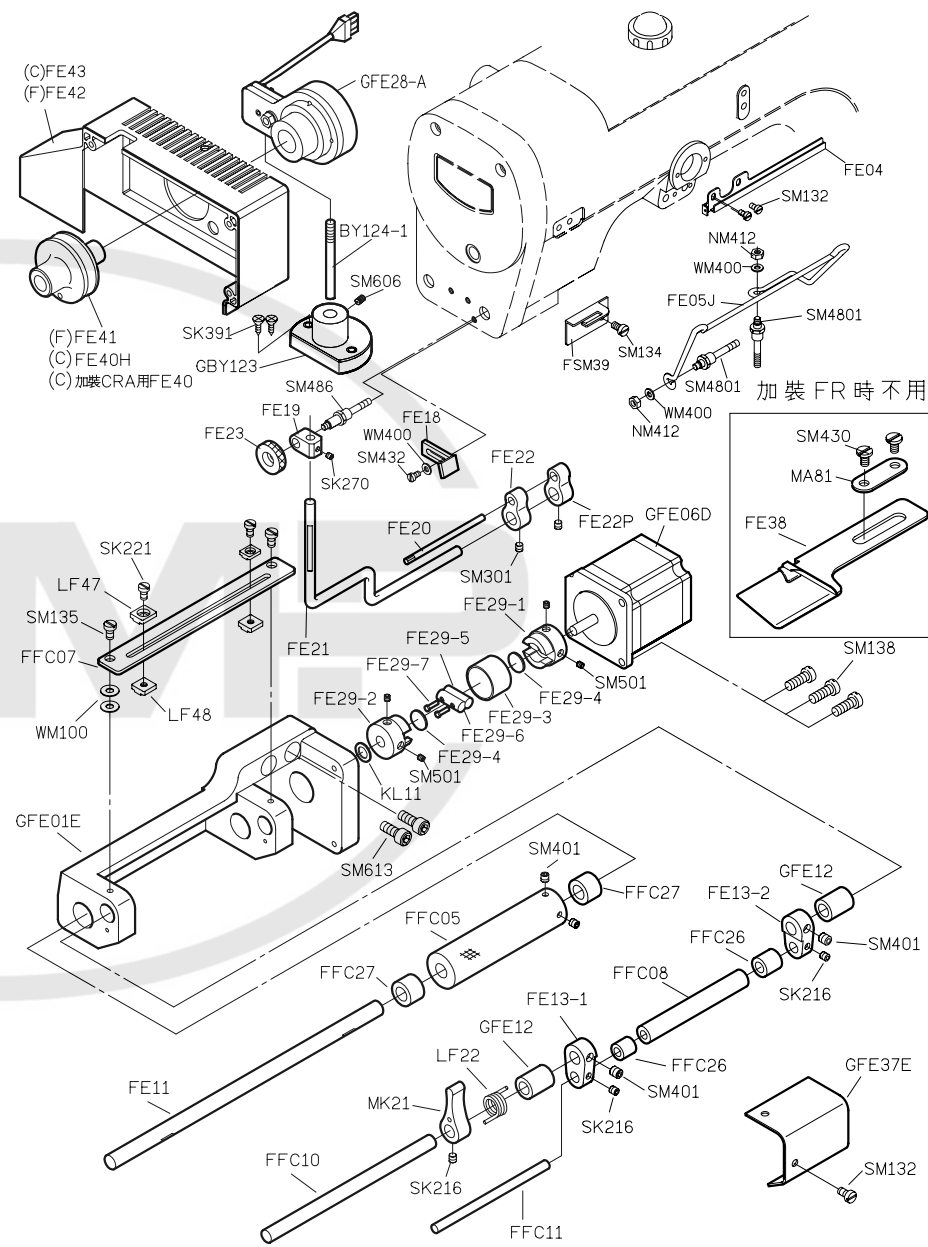
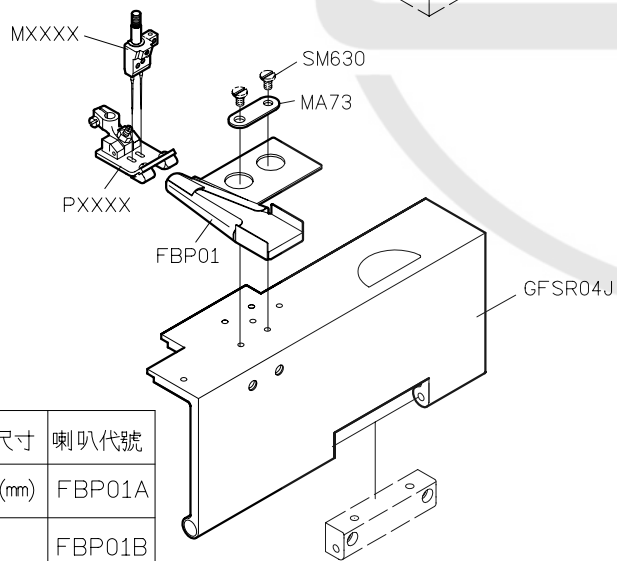
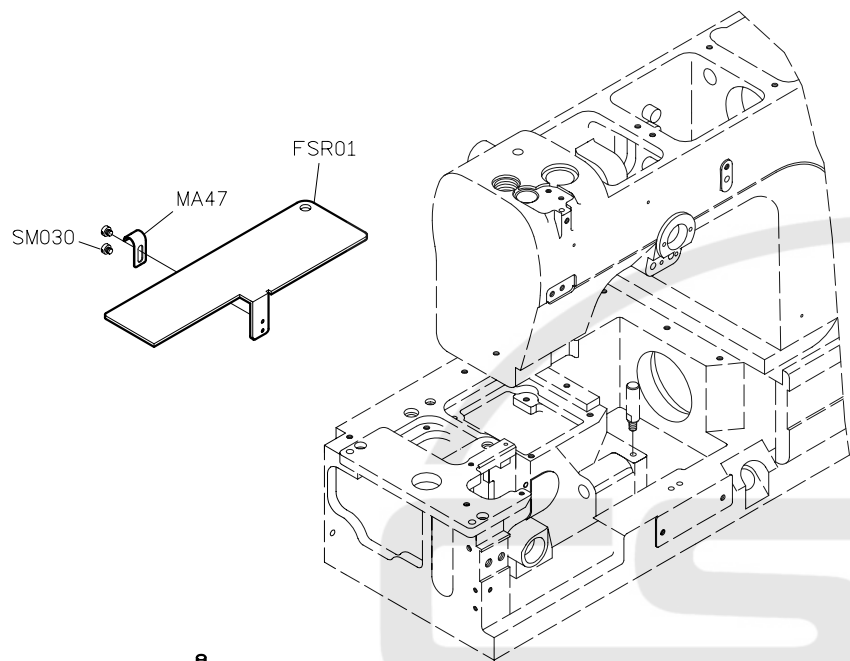
## 輔助件零件圖 AUXILIARY PARTS LIST



CE



高林股份有限公司  
KAULIN MFG. CO., LTD.



針距	成品尺寸	喇叭代號
5.6	9 (mm)	FBP01A
5.6	10	FBP01B
6.4	12	FBP01C

FOR F007J/F007JD

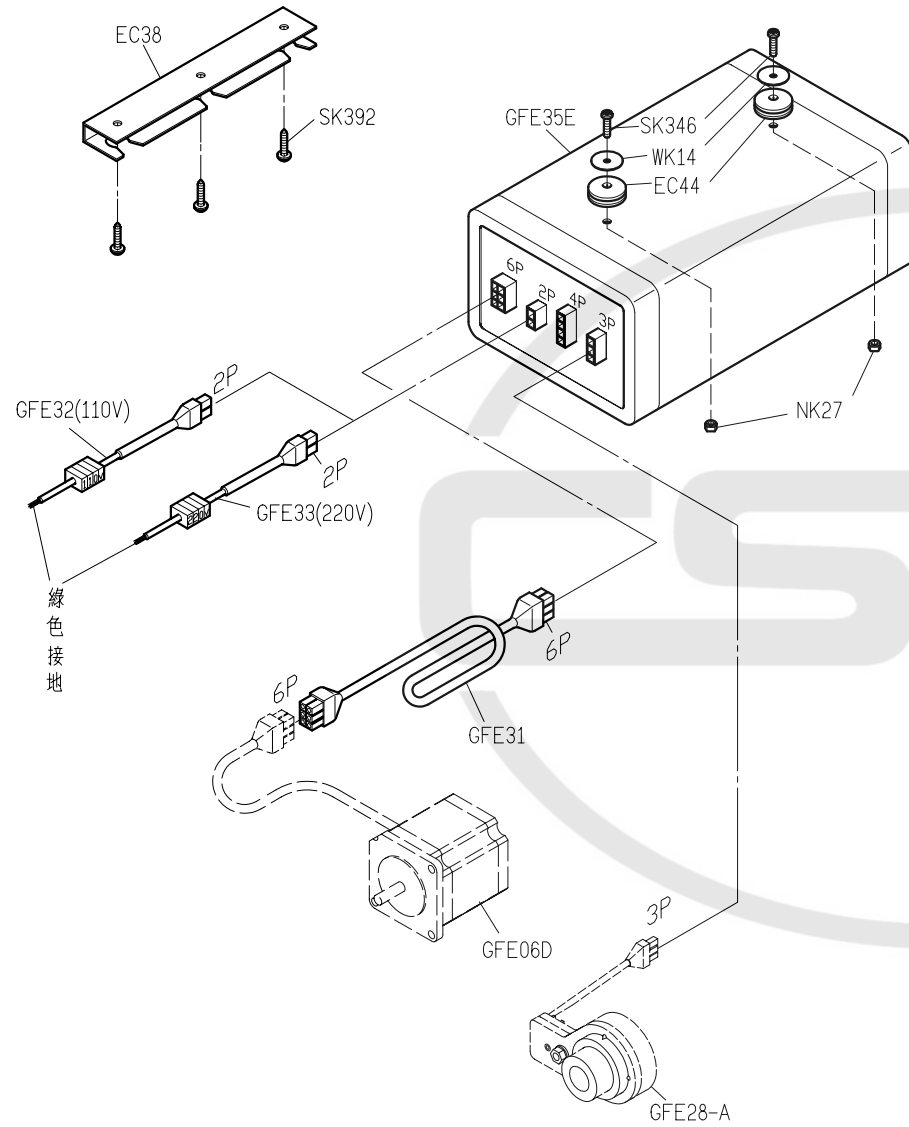
FOR F007J/F007JD

## PARTS LIST FOR FBP GROUP

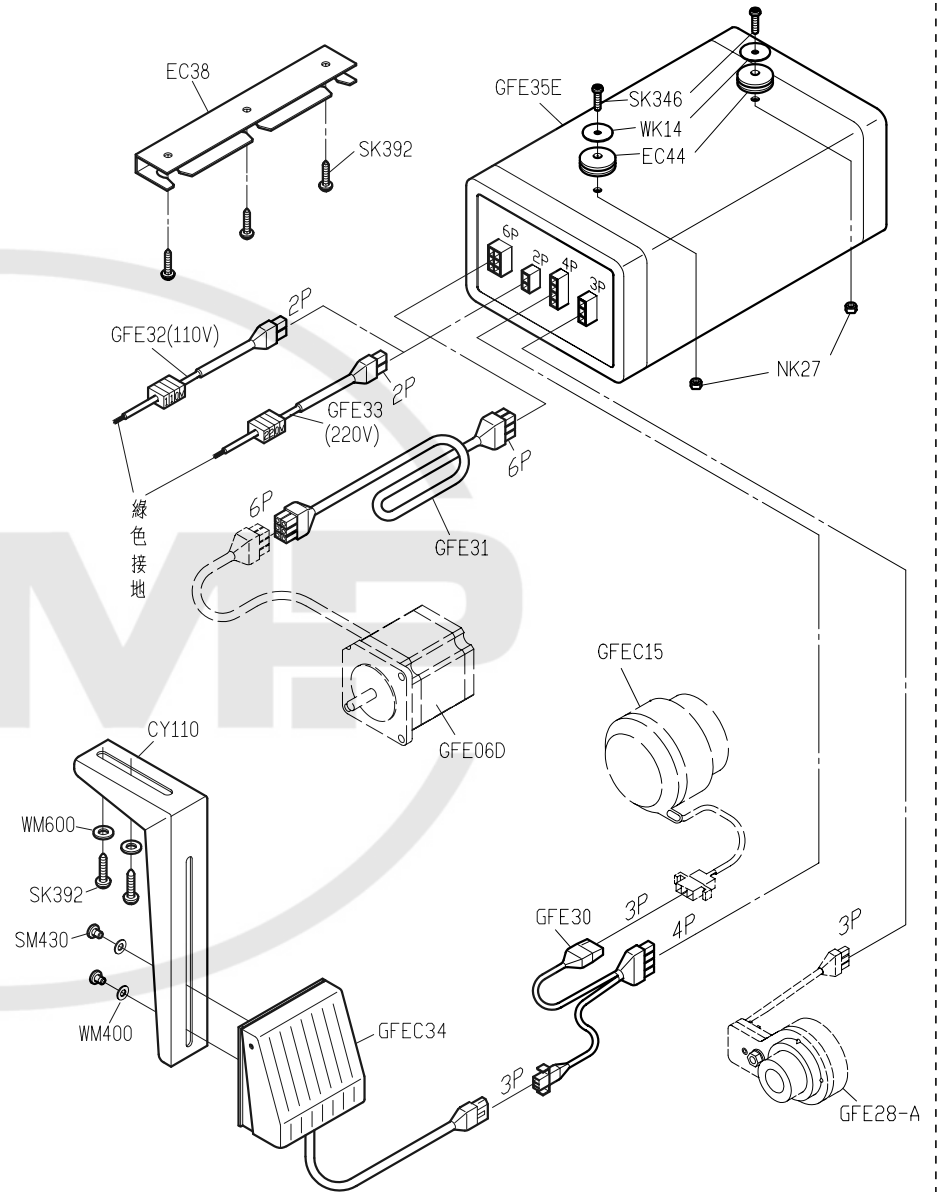
## PARTS LIST FOR FE (1) GROUP

# PARTS LIST FOR FE (2) GROUP

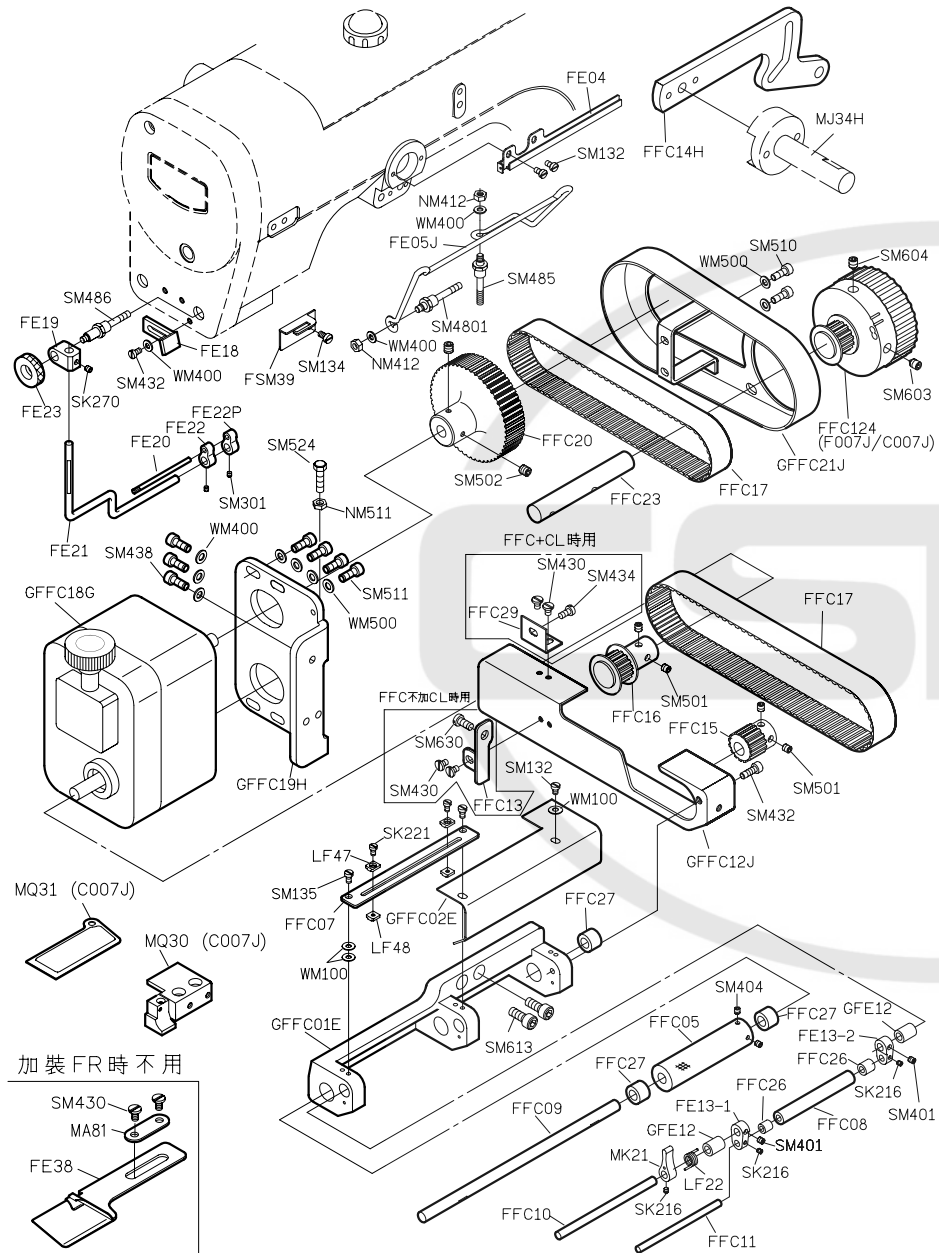
# PARTS LIST FOR FE/FEC GROUP



FOR F007J/F007JD

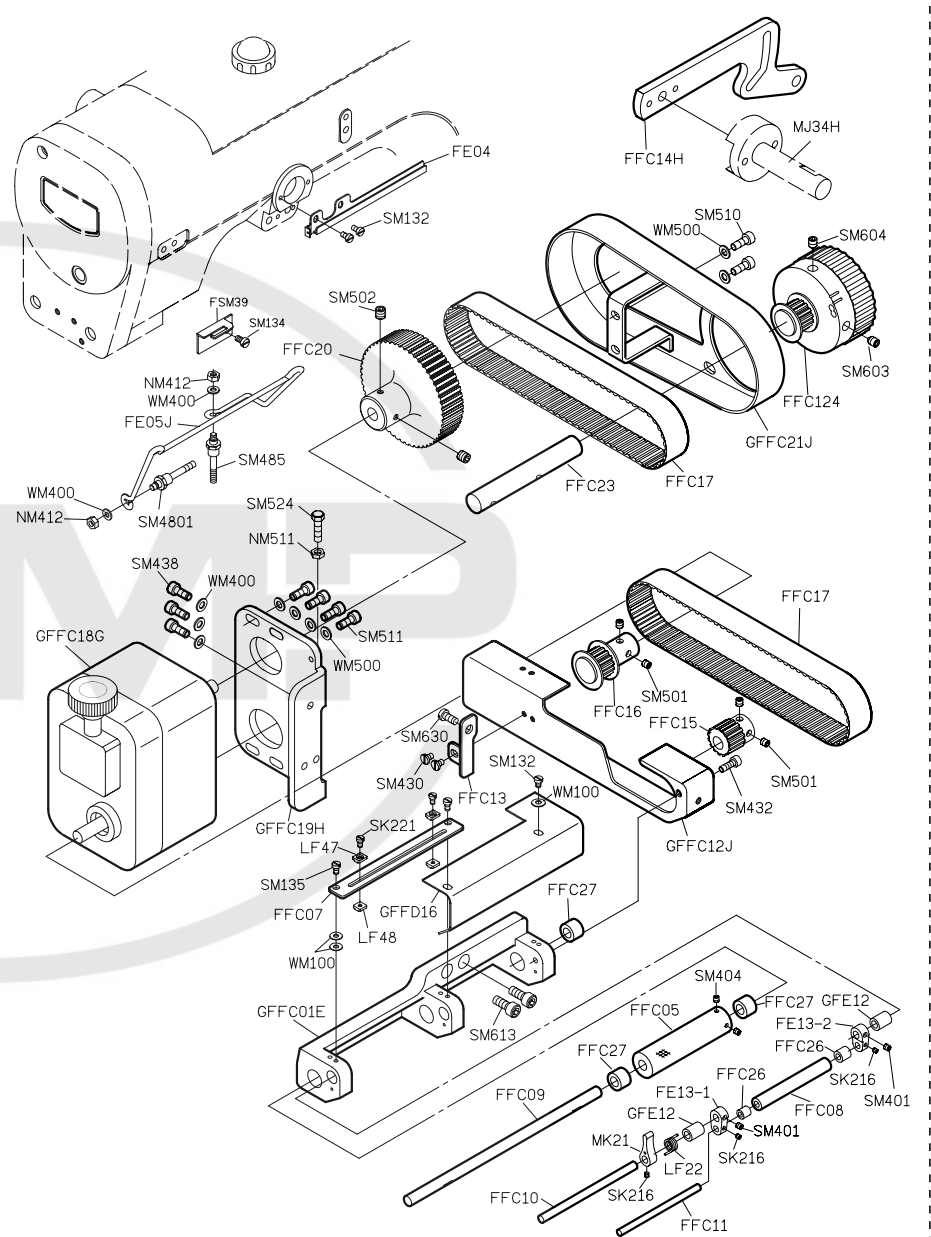


FOR F007J/F007JD



FOR F007J

### PARTS LIST FOR FFC GROUP

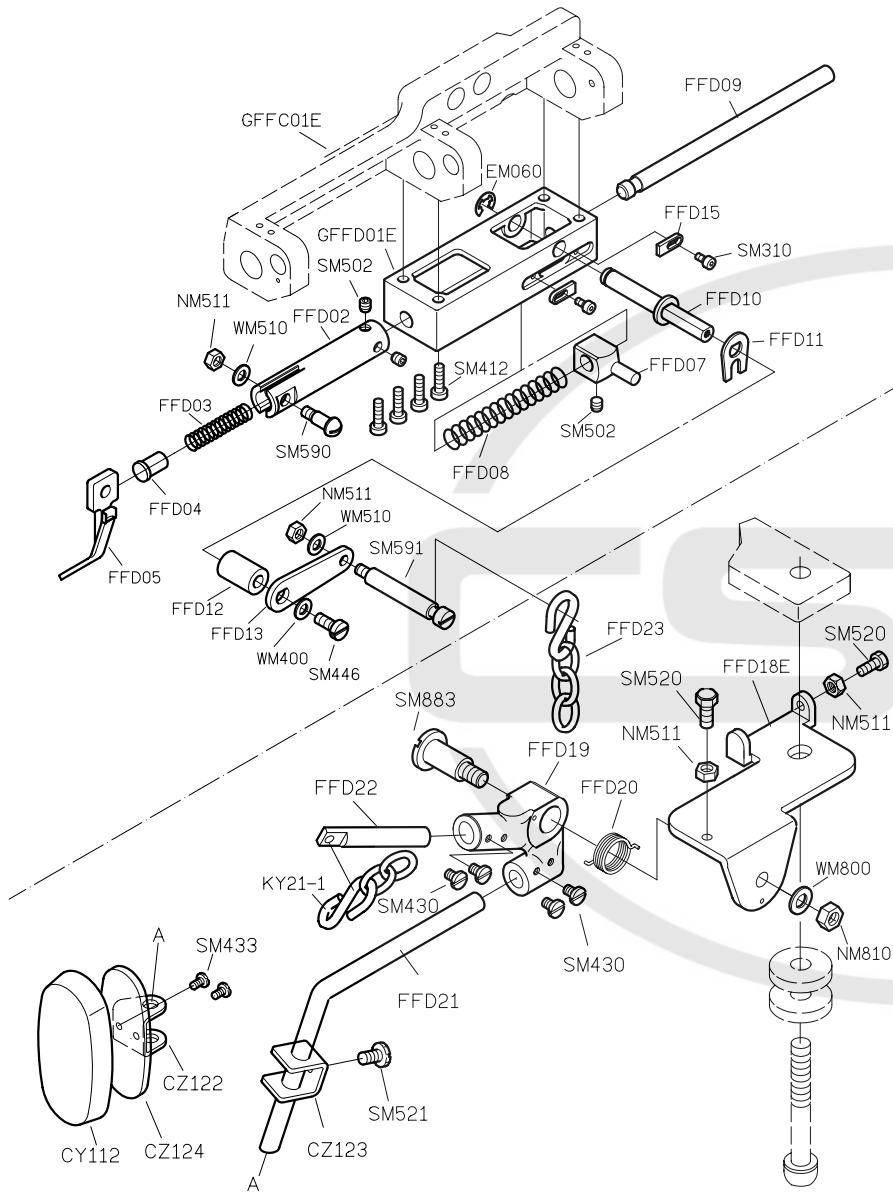


FOR F007J

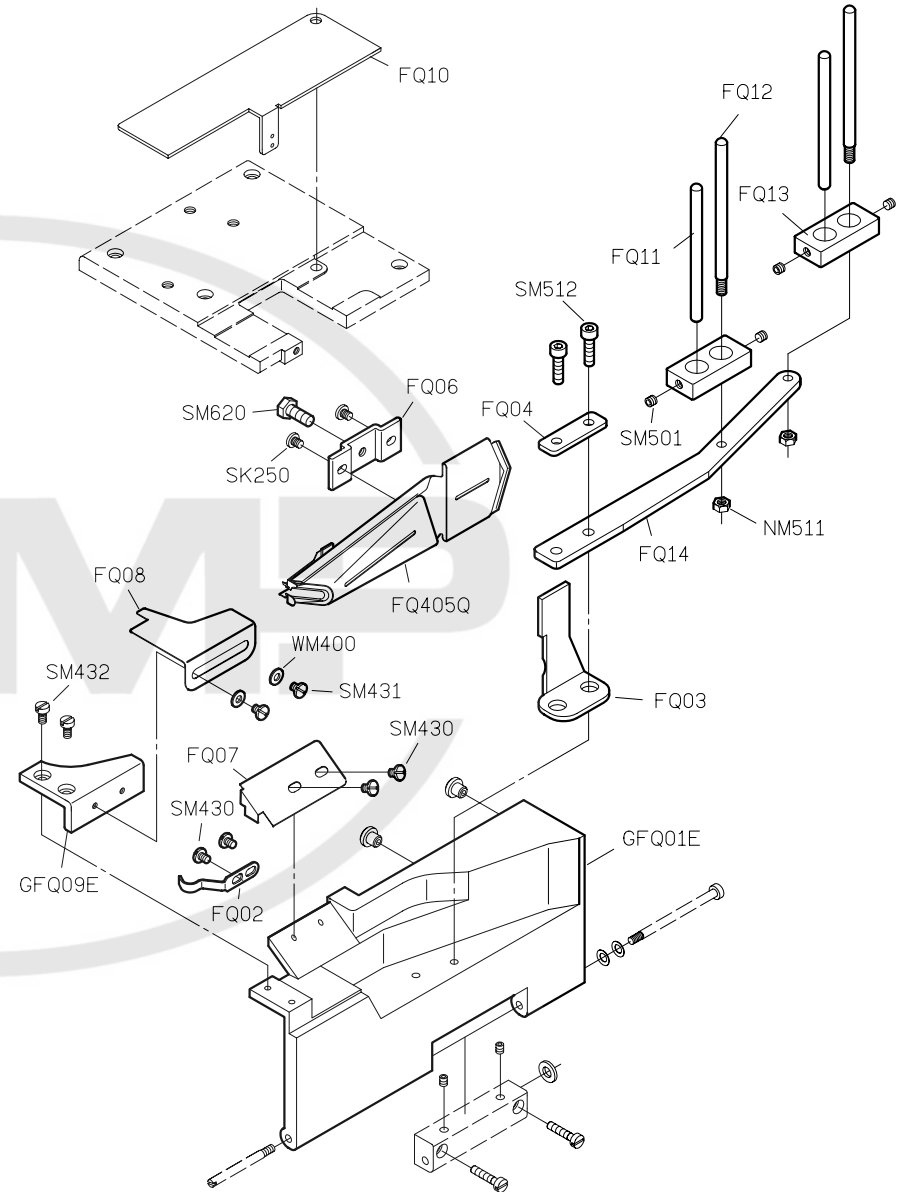
### PARTS LIST FOR FFD (1) GROUP

# PARTS LIST FOR FFD (2) GROUP

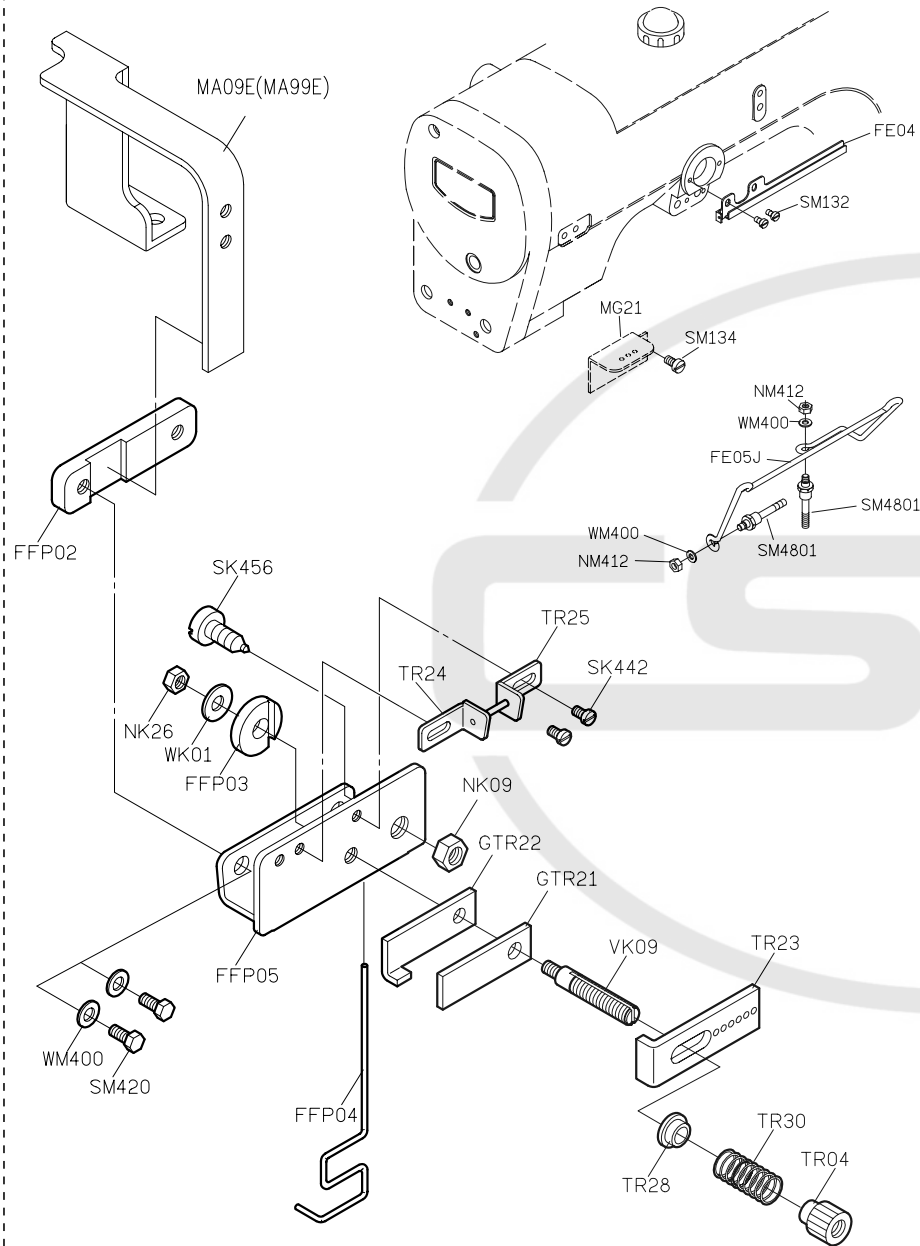
# PARTS LIST FOR FFD (3) GROUP



FOR F007J

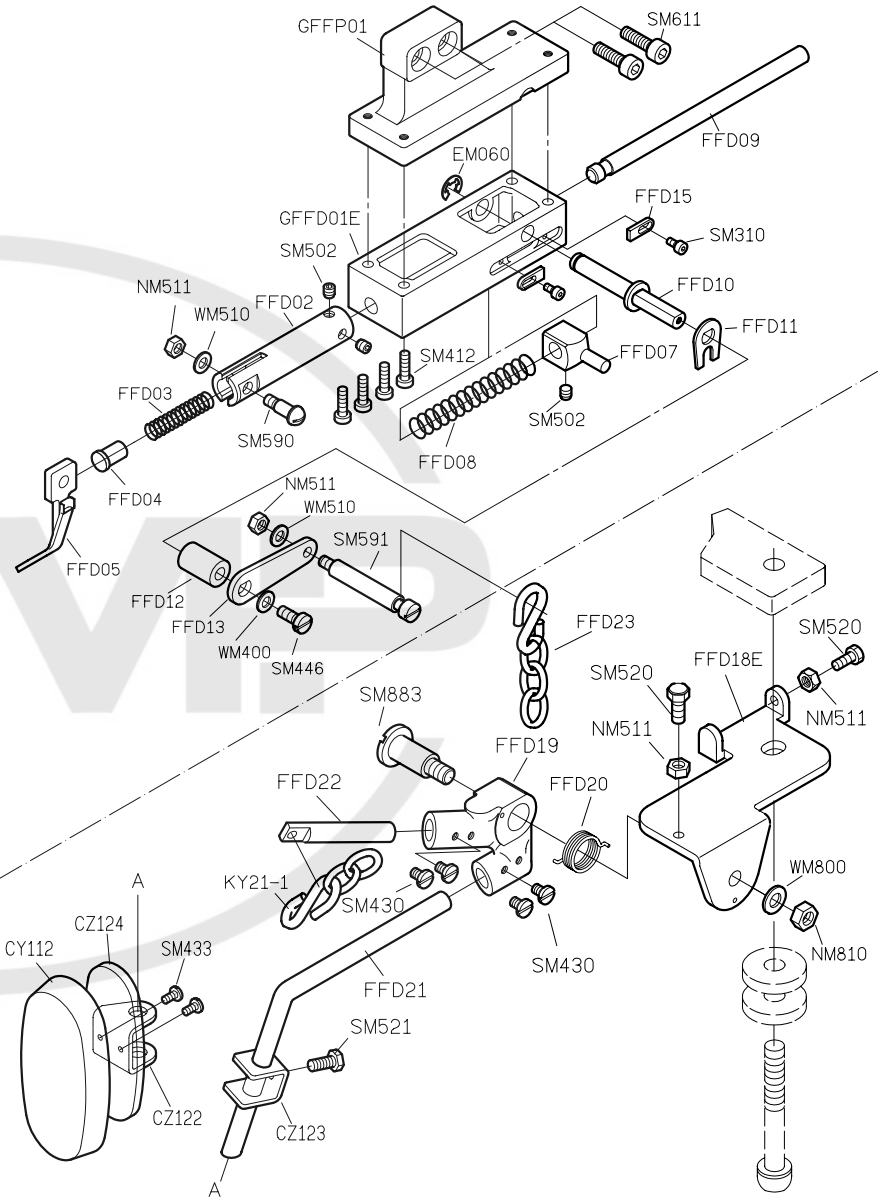


FOR F007J



FOR F007J/F007JD

### PARTS LIST FOR FFP (1) GROUP

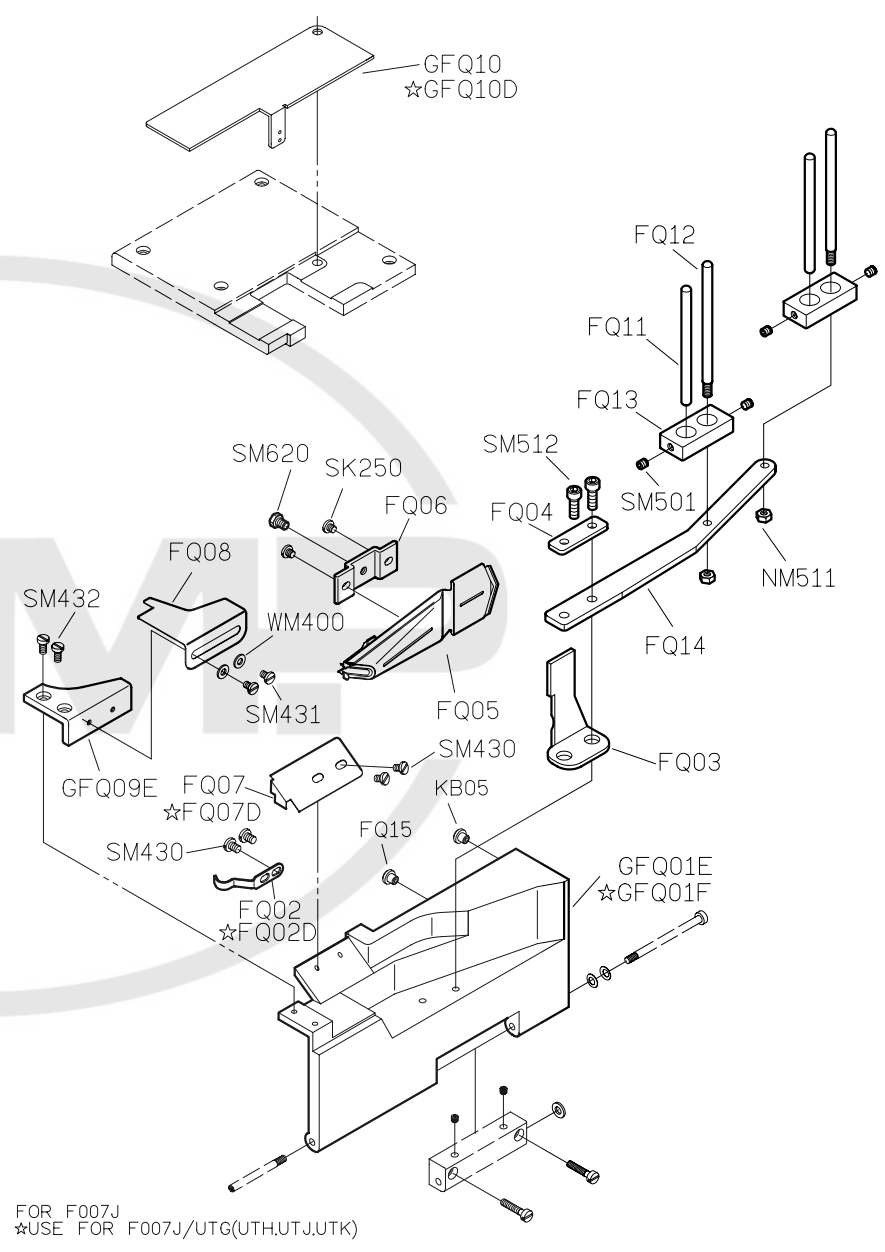
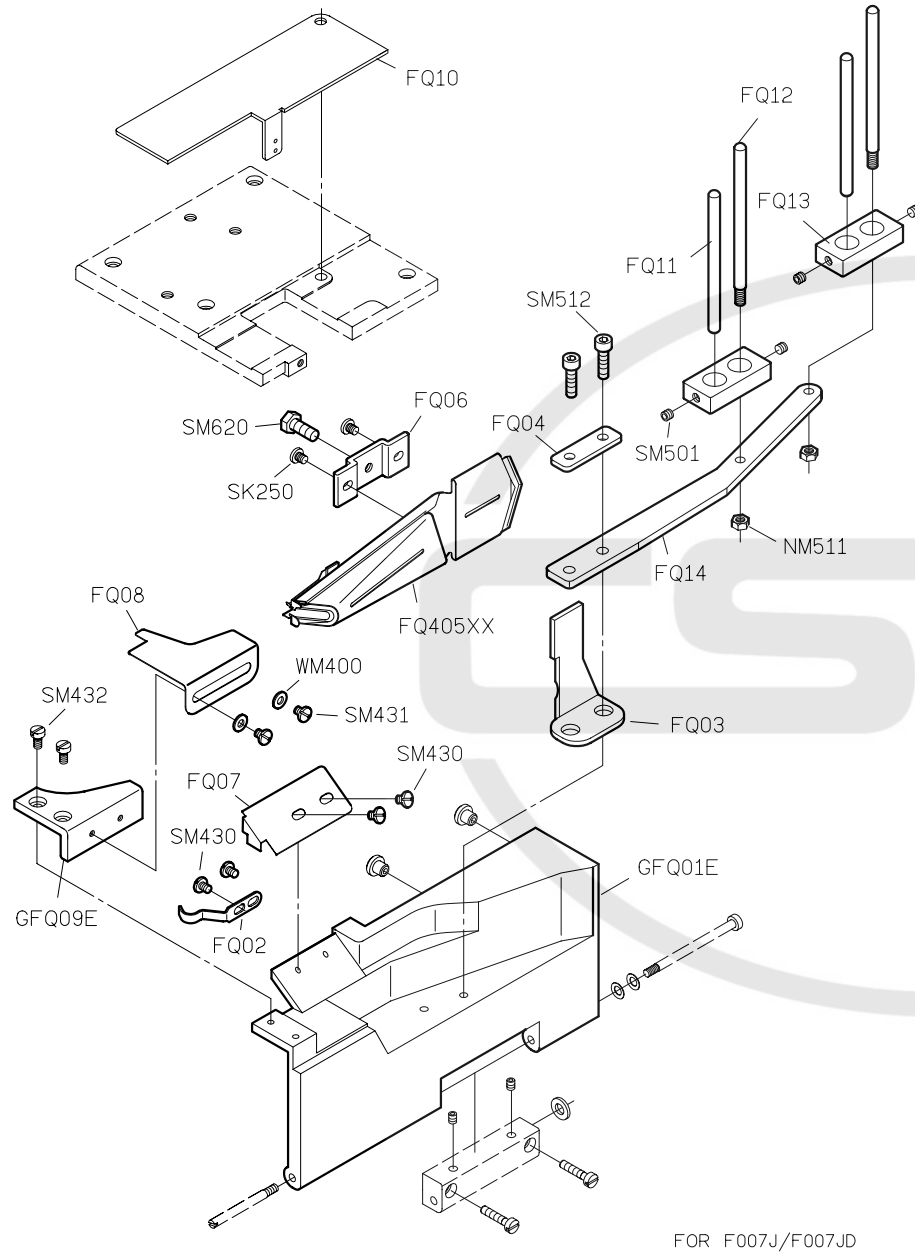


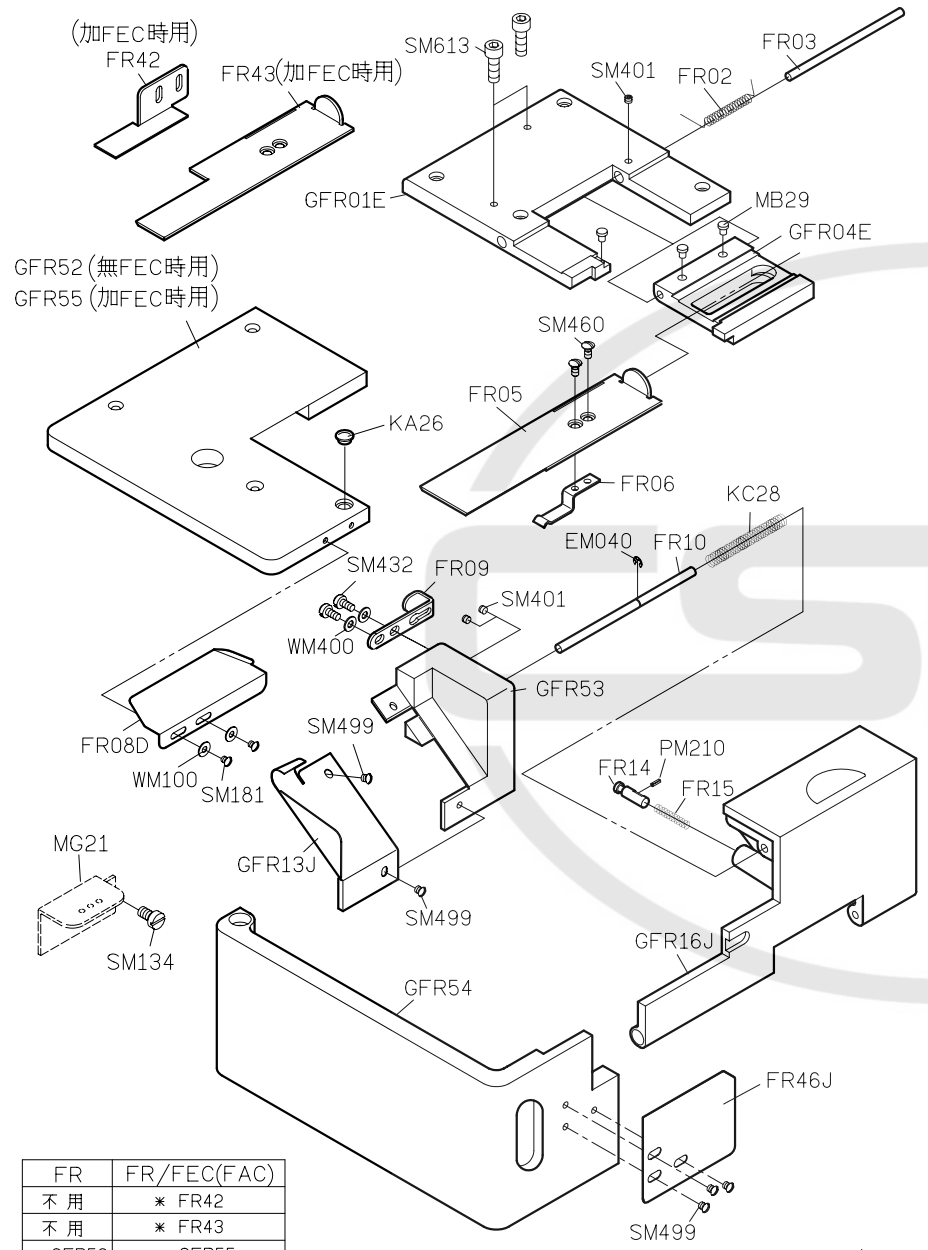
FOR F007J/F007JD

### PARTS LIST FOR FFP (2) GROUP

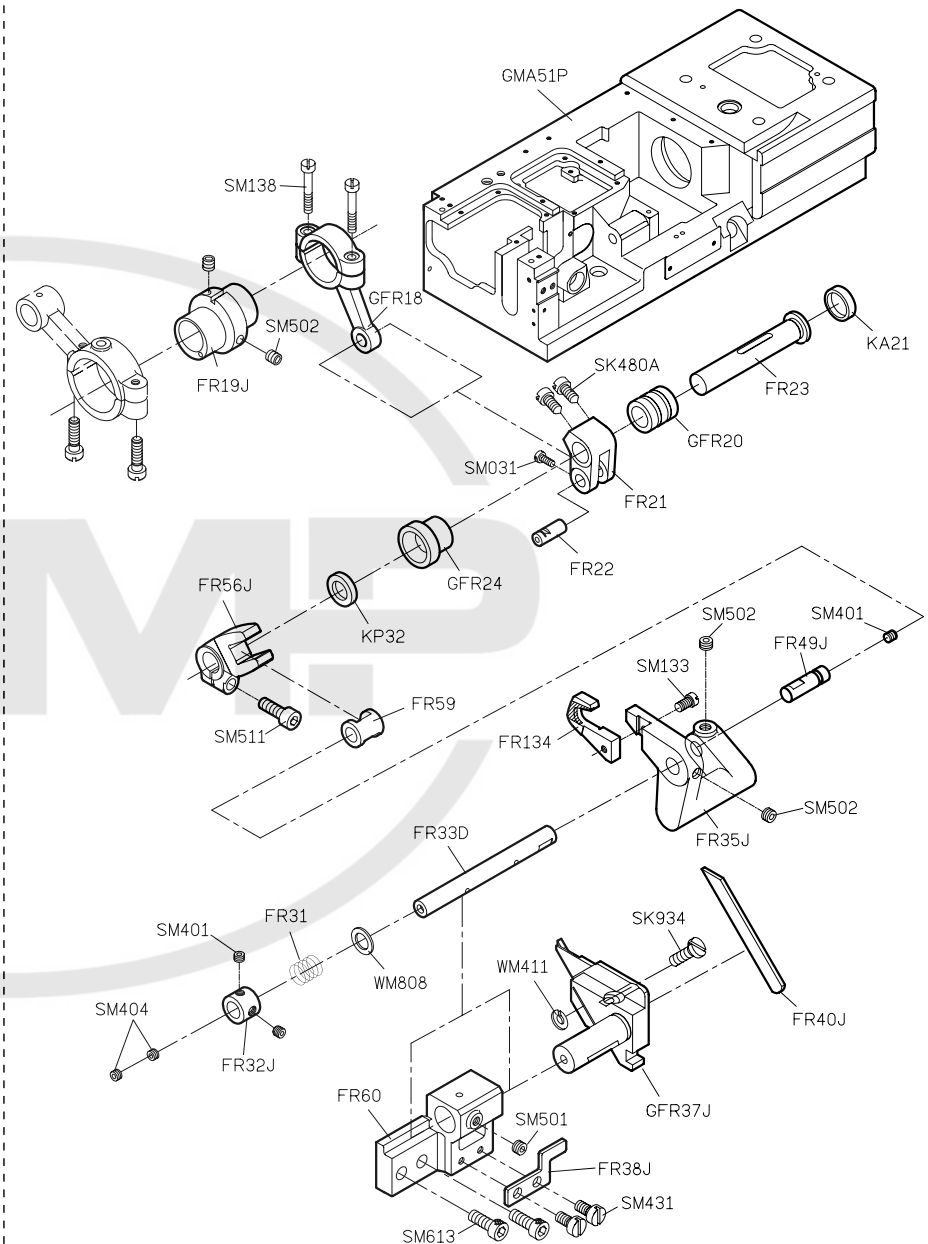
# PARTS LIST FOR FFP (3) GROUP

# PARTS LIST FOR FQ GROUP





FOR F007J/F007JD



FOR F007J/F007JD

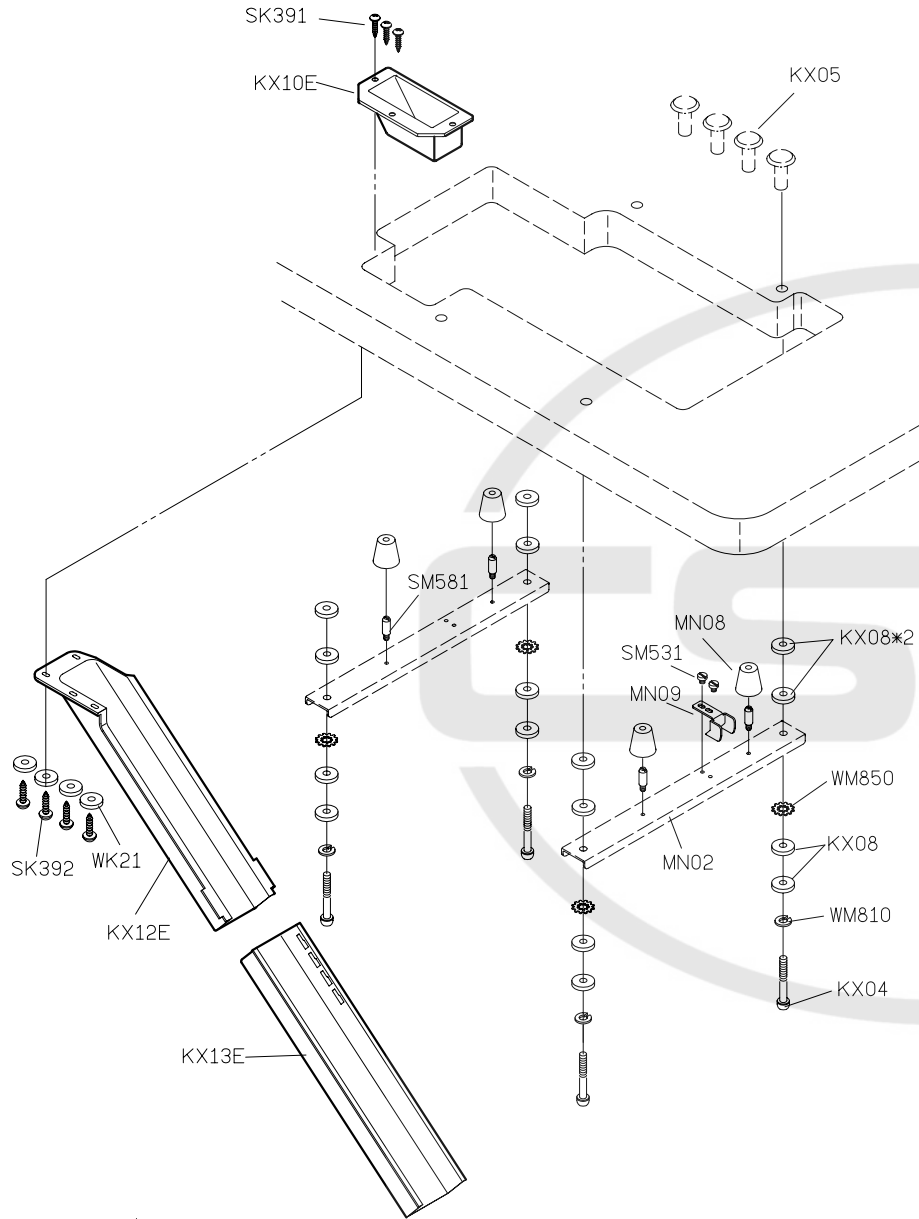
**PARTS LIST FOR FR (1) GROUP**

**PARTS LIST FOR FR (2) GROUP**

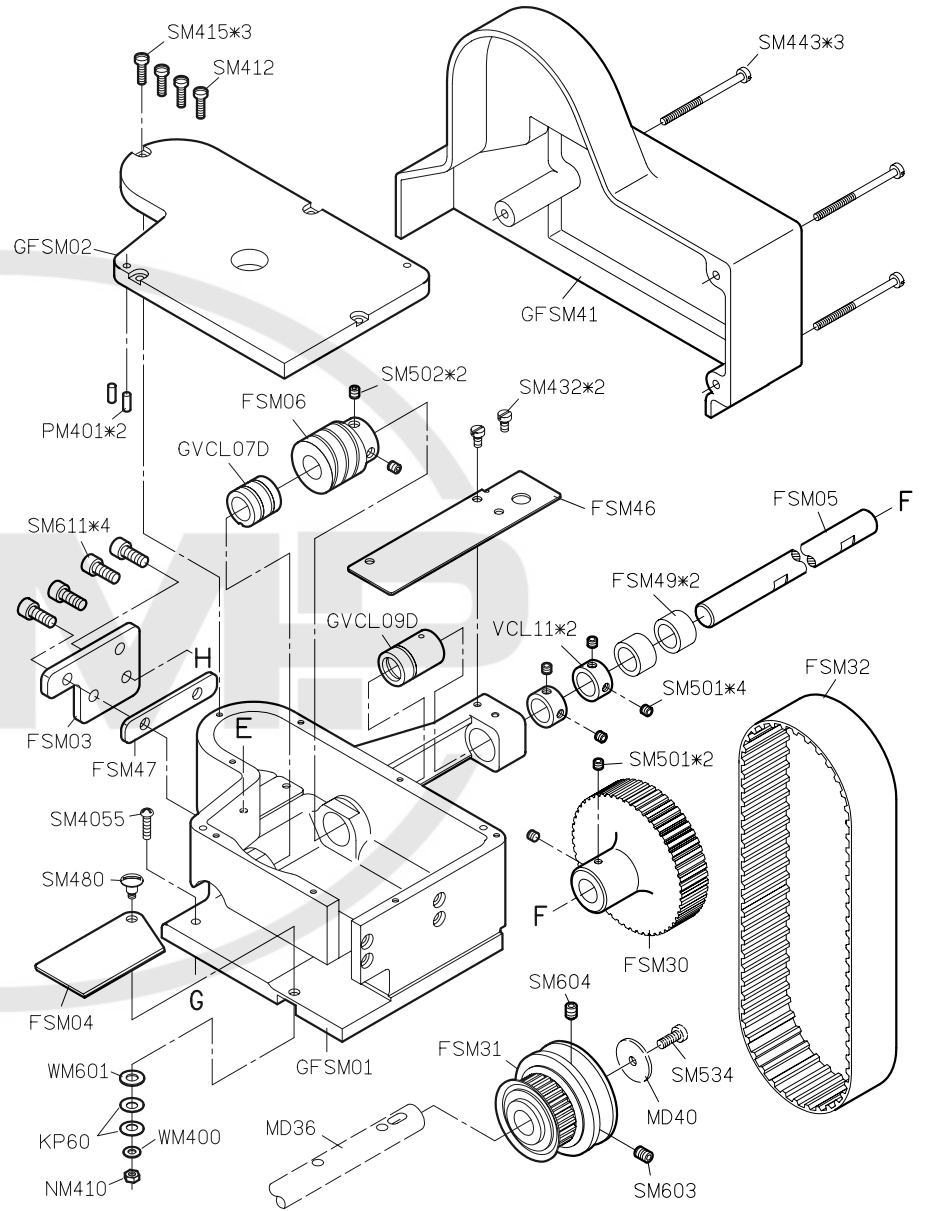


# PARTS LIST FOR FR (3) GROUP

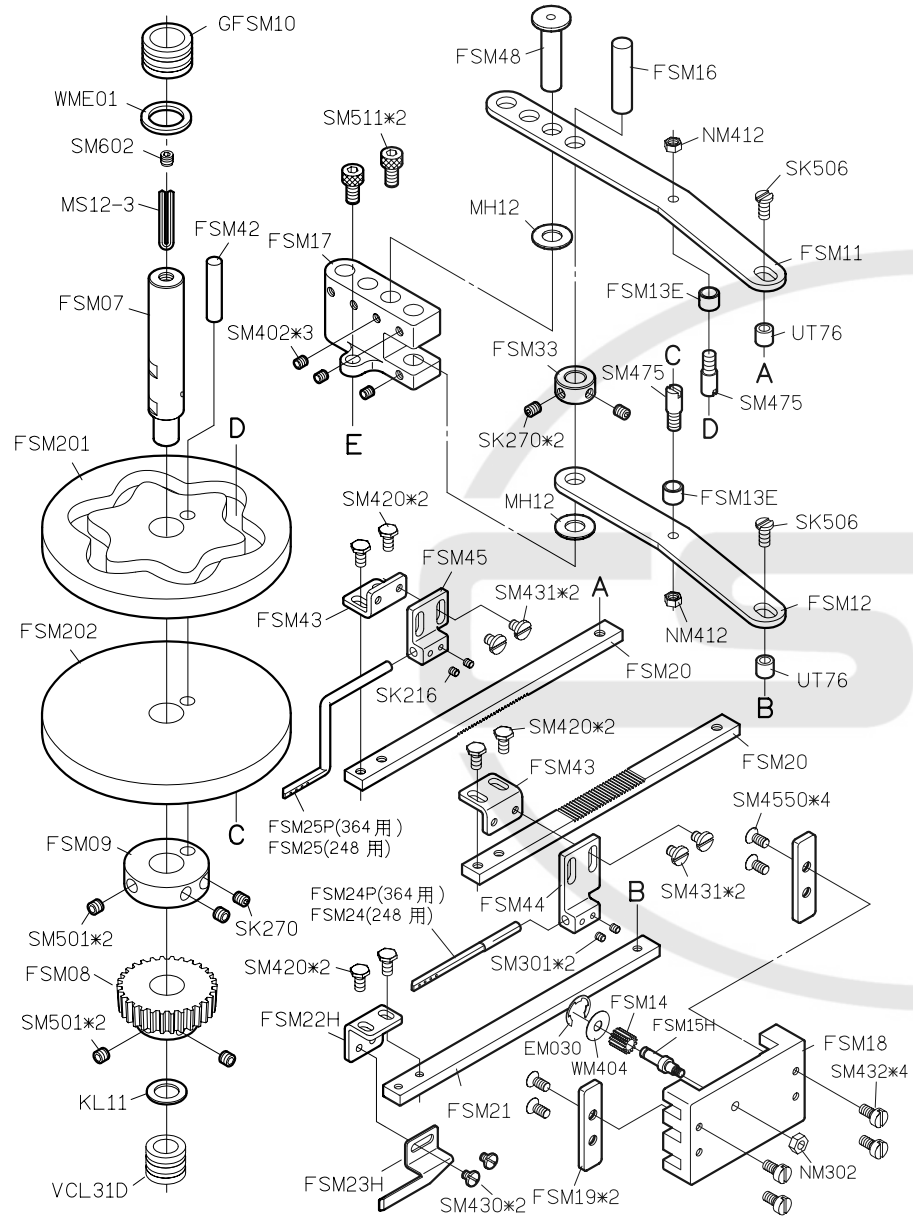
# PARTS LIST FOR FSM (1) GROUP



FOR F007J/F007JD

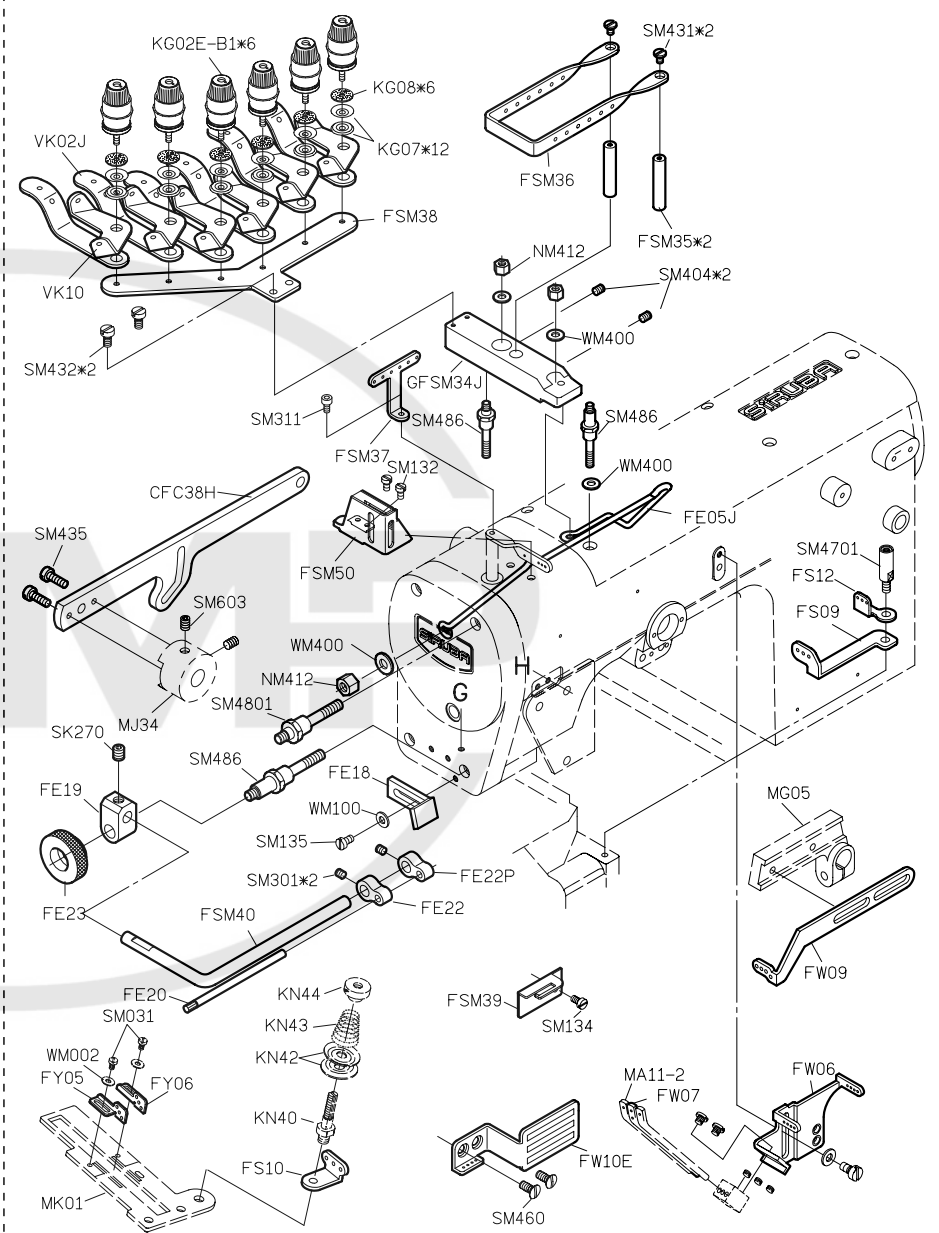


FOR F007J/F007JD



FOR F007J/F007JD

註：凸輪 FSM220/222 為備品



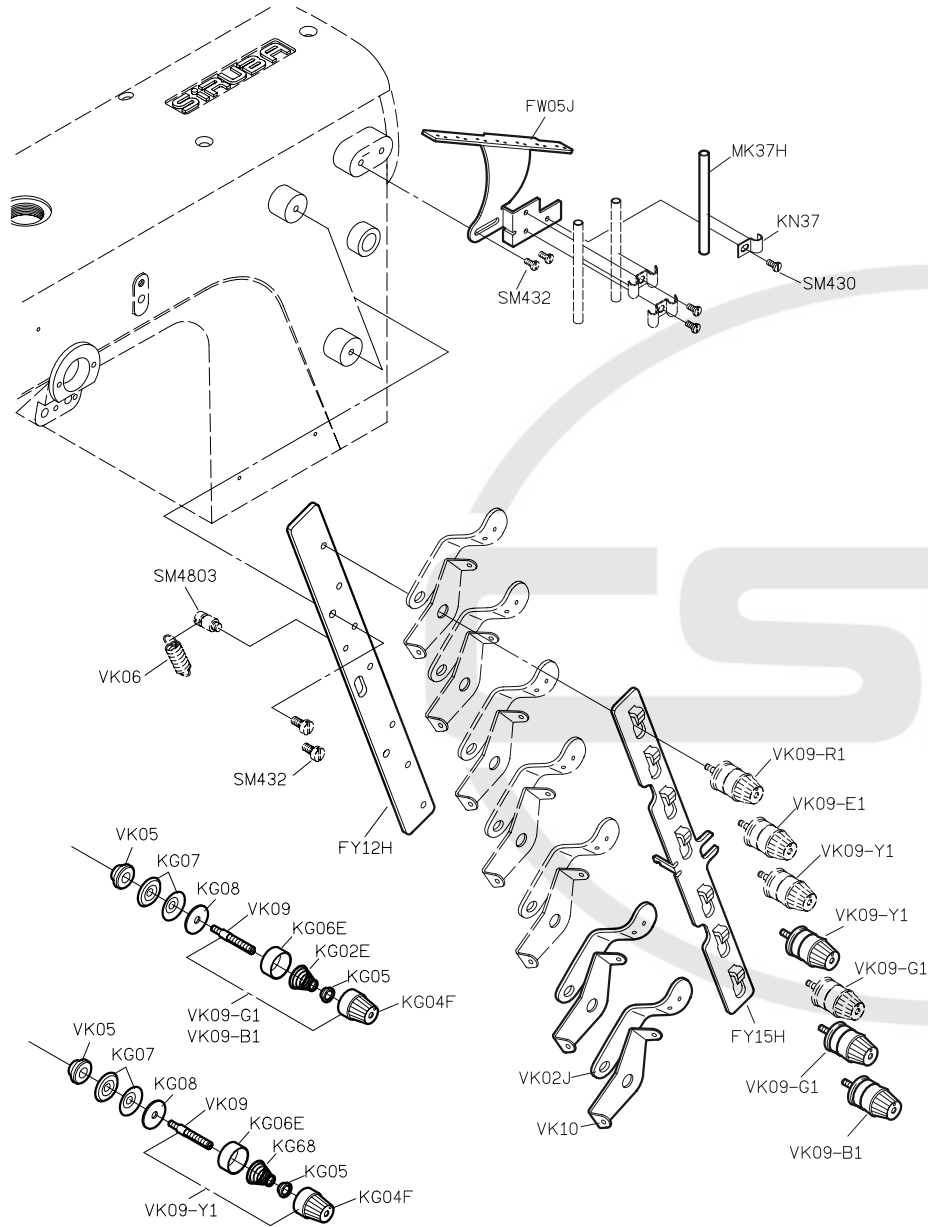
FOR F007J/F007JD

## PARTS LIST FOR FSM (2) GROUP

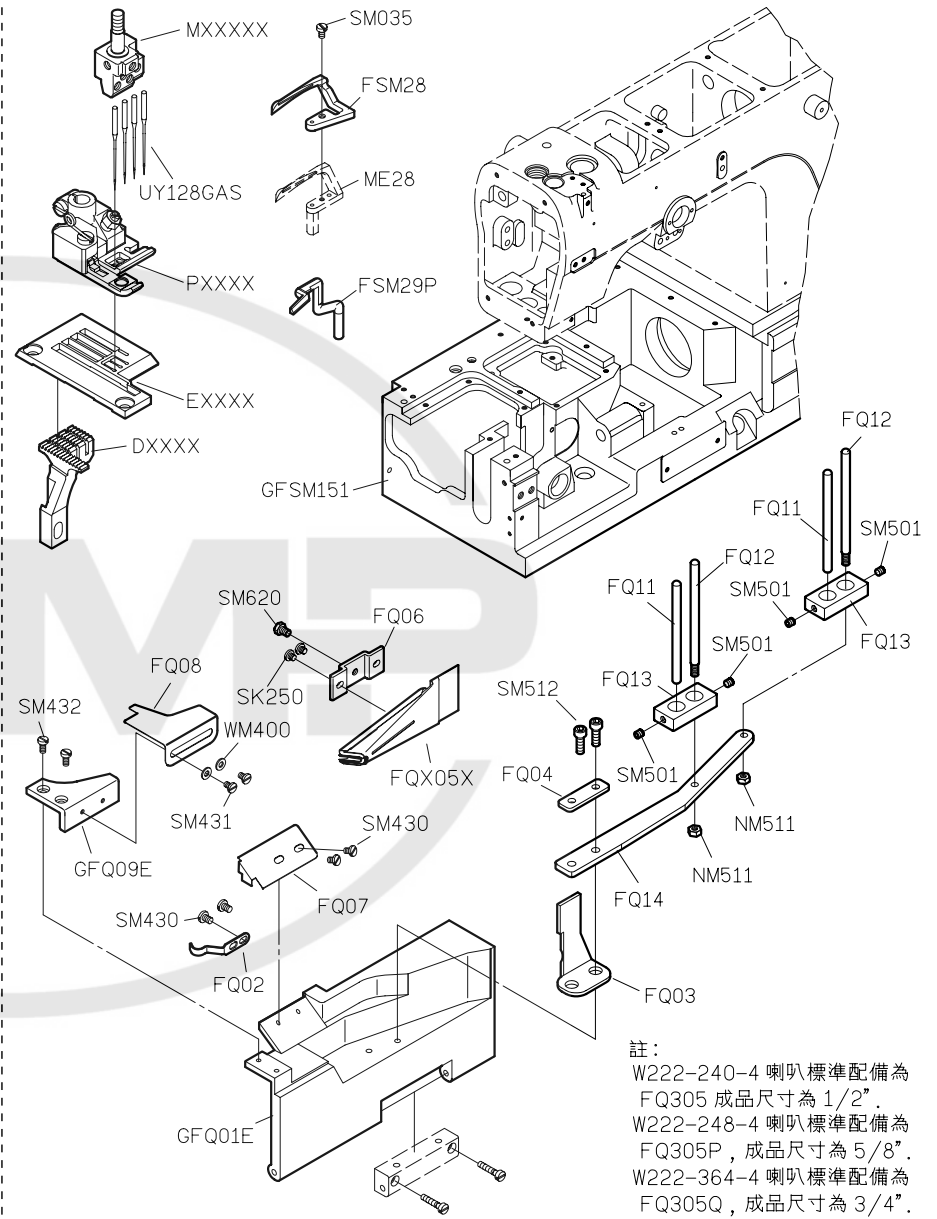
## PARTS LIST FOR FSM (3) GROUP

# PARTS LIST FOR FSM (4) GROUP

# PARTS LIST FOR FSM (5) GROUP

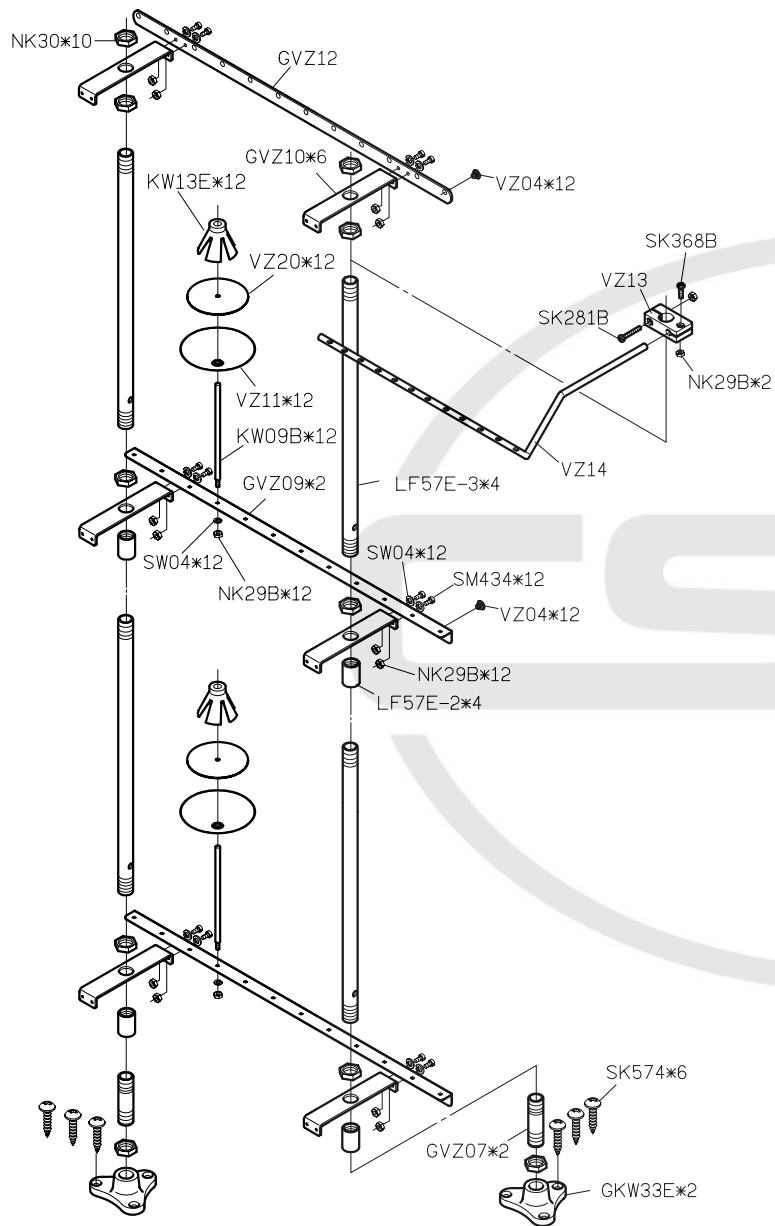


FOR F007J/F007JD

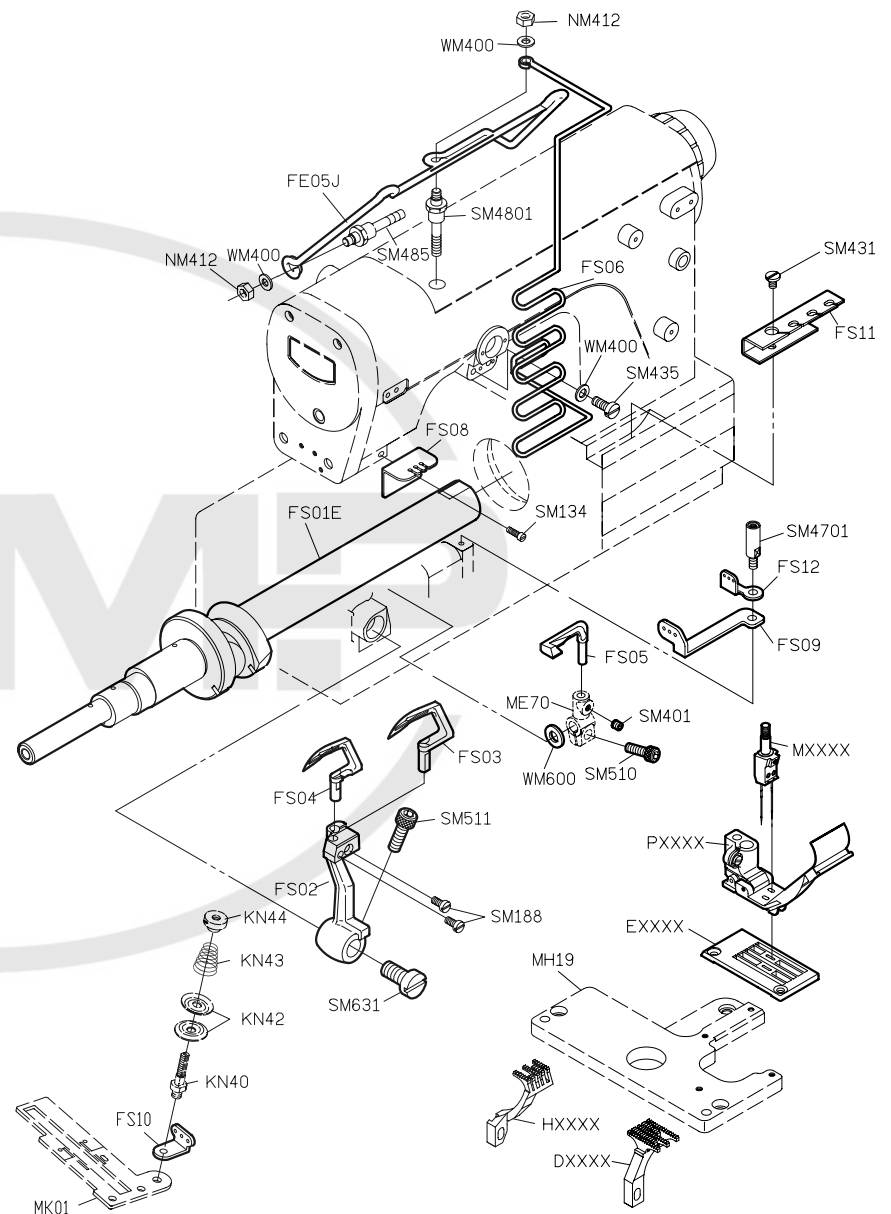


FOR F007J/F007JD

註：  
 W222-240-4 喇叭標準配備為 FQ305 成品尺寸為 1/2"。  
 W222-248-4 喇叭標準配備為 FQ305P，成品尺寸為 5/8"。  
 W222-364-4 喇叭標準配備為 FQ305Q，成品尺寸為 3/4"。



FOR F007J/F007JD



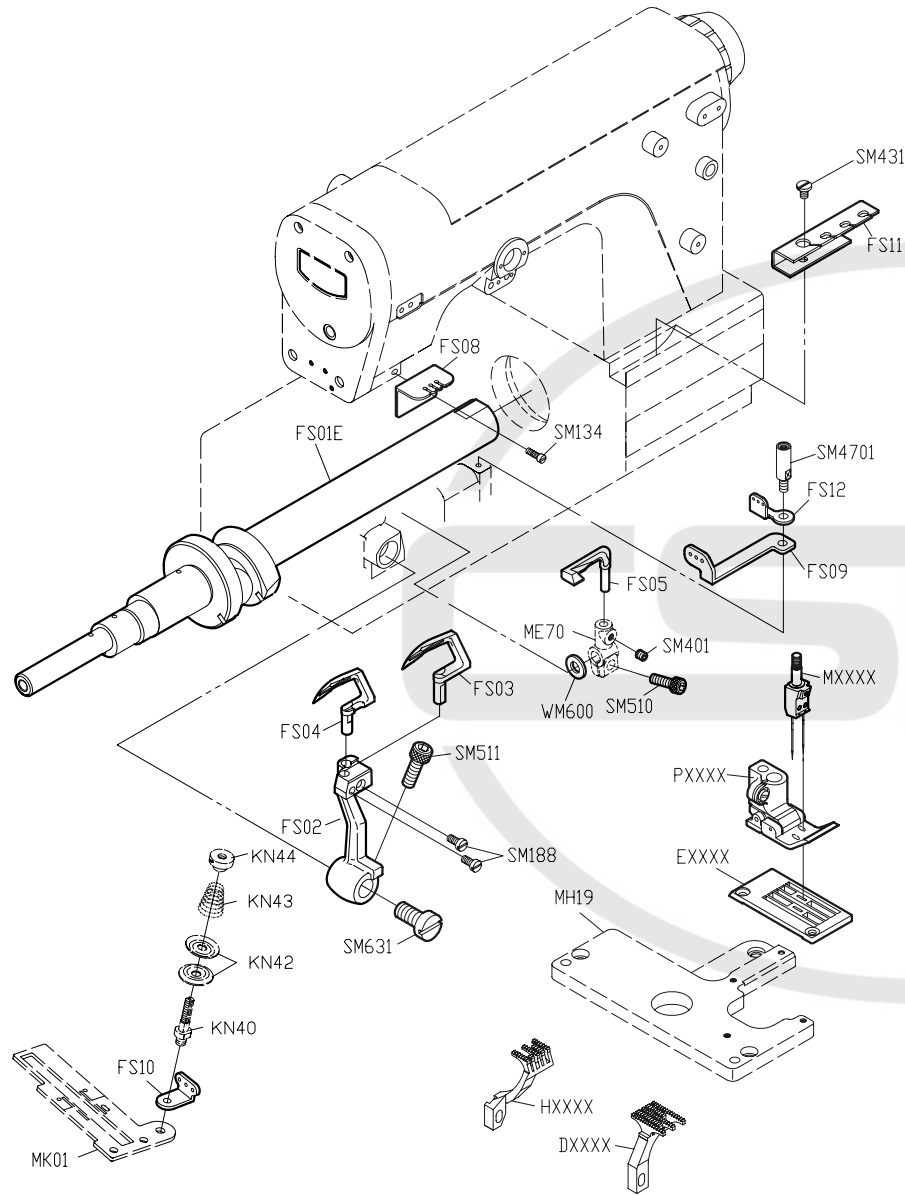
FOR F007J/F007JD

## PARTS LIST FOR FSM (6) GROUP

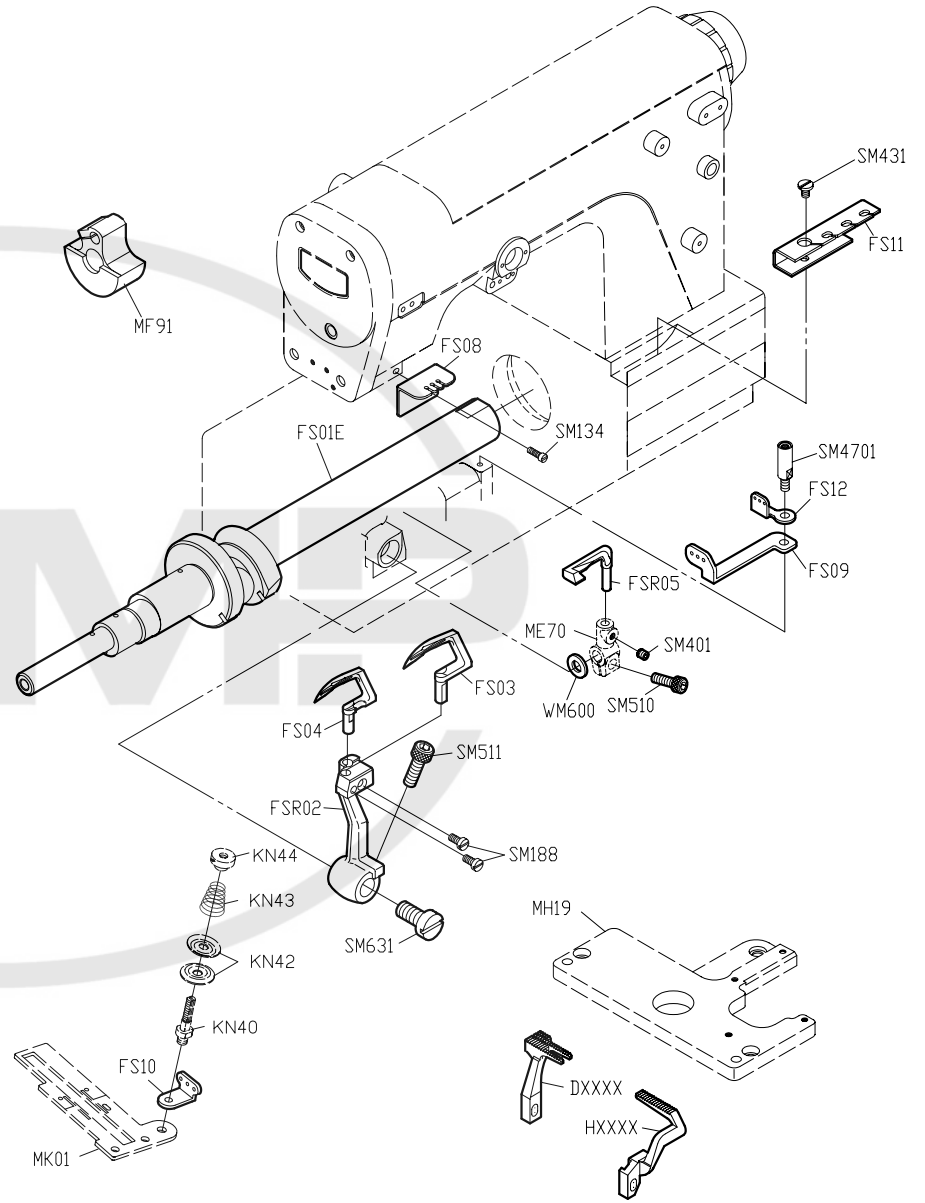
## PARTS LIST FOR FSP GROUP

# PARTS LIST FOR FSQ GROUP

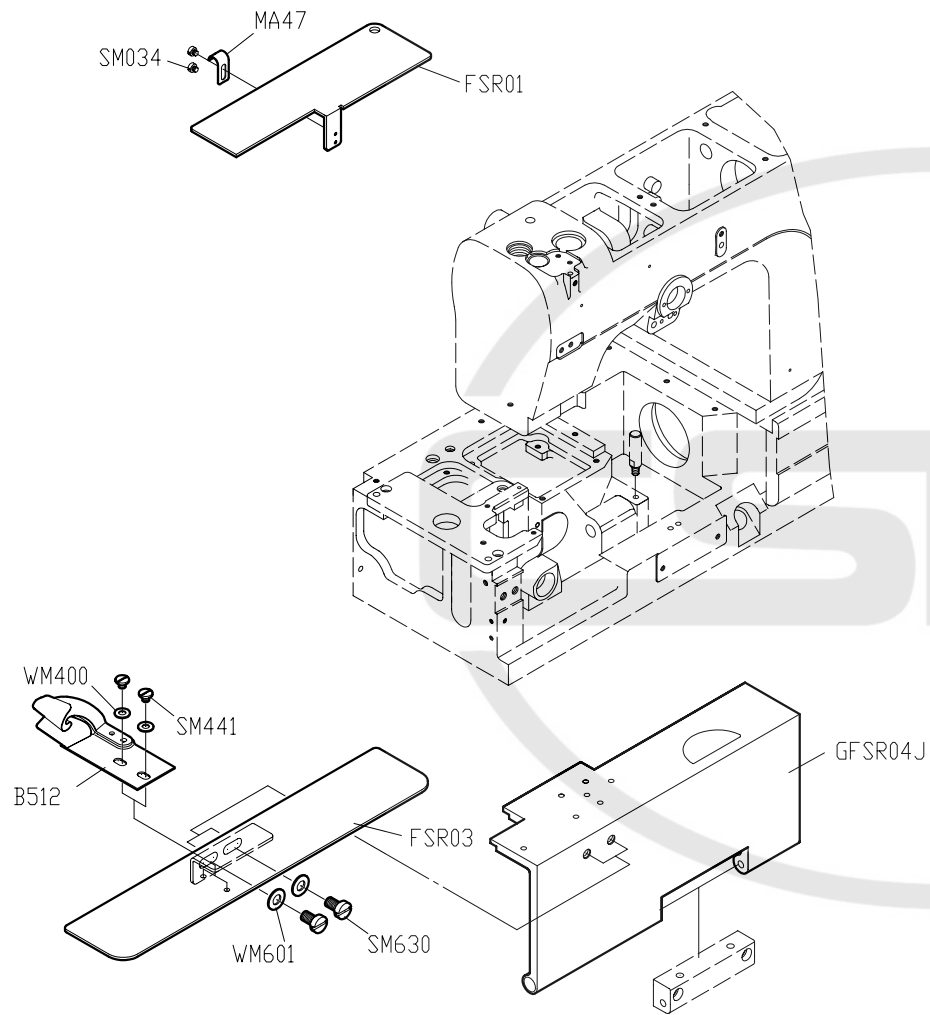
# PARTS LIST FOR FSR (1) GROUP



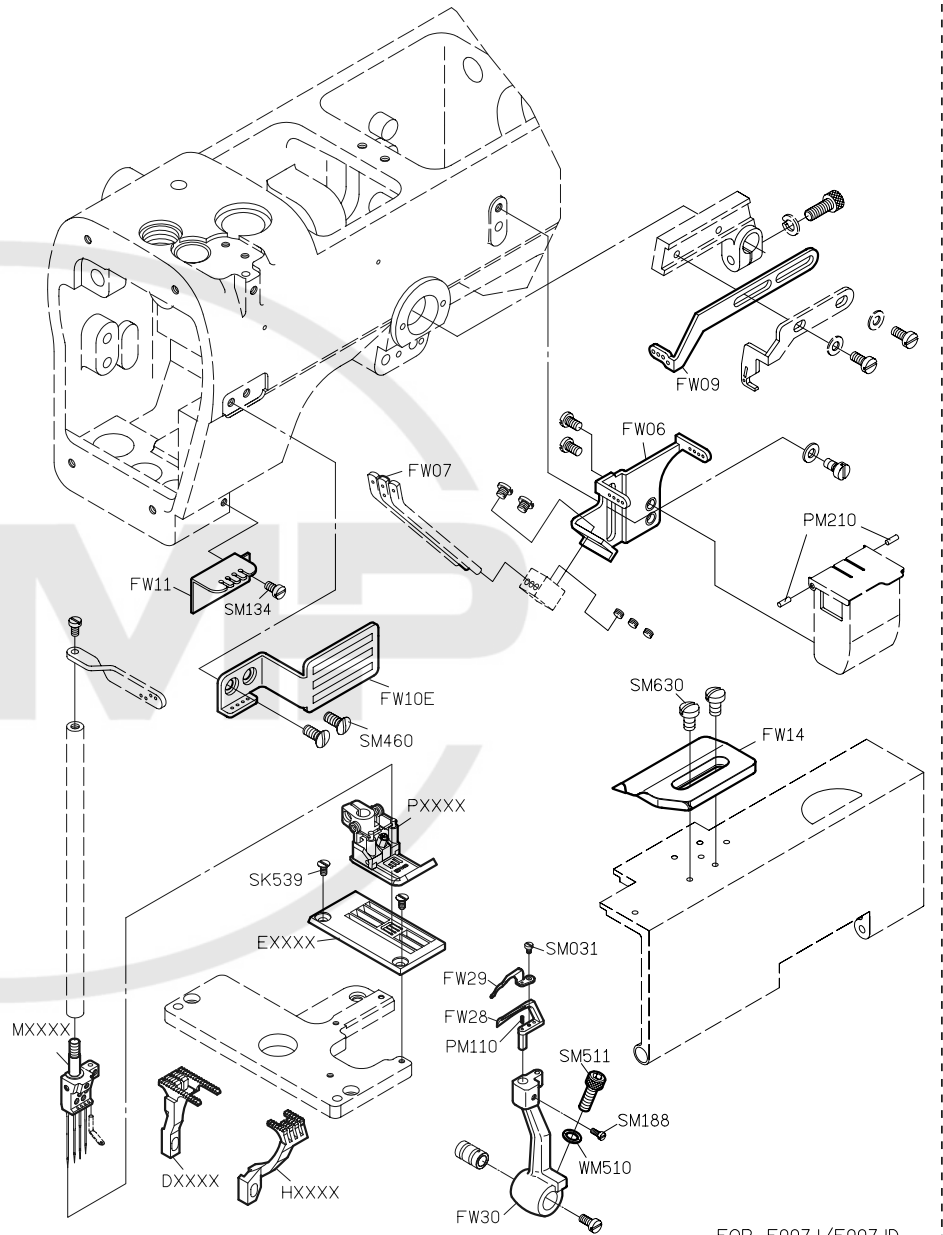
FOR F007J/F007JD



FOR F007J/F007JD



FOR F007J/F007JD



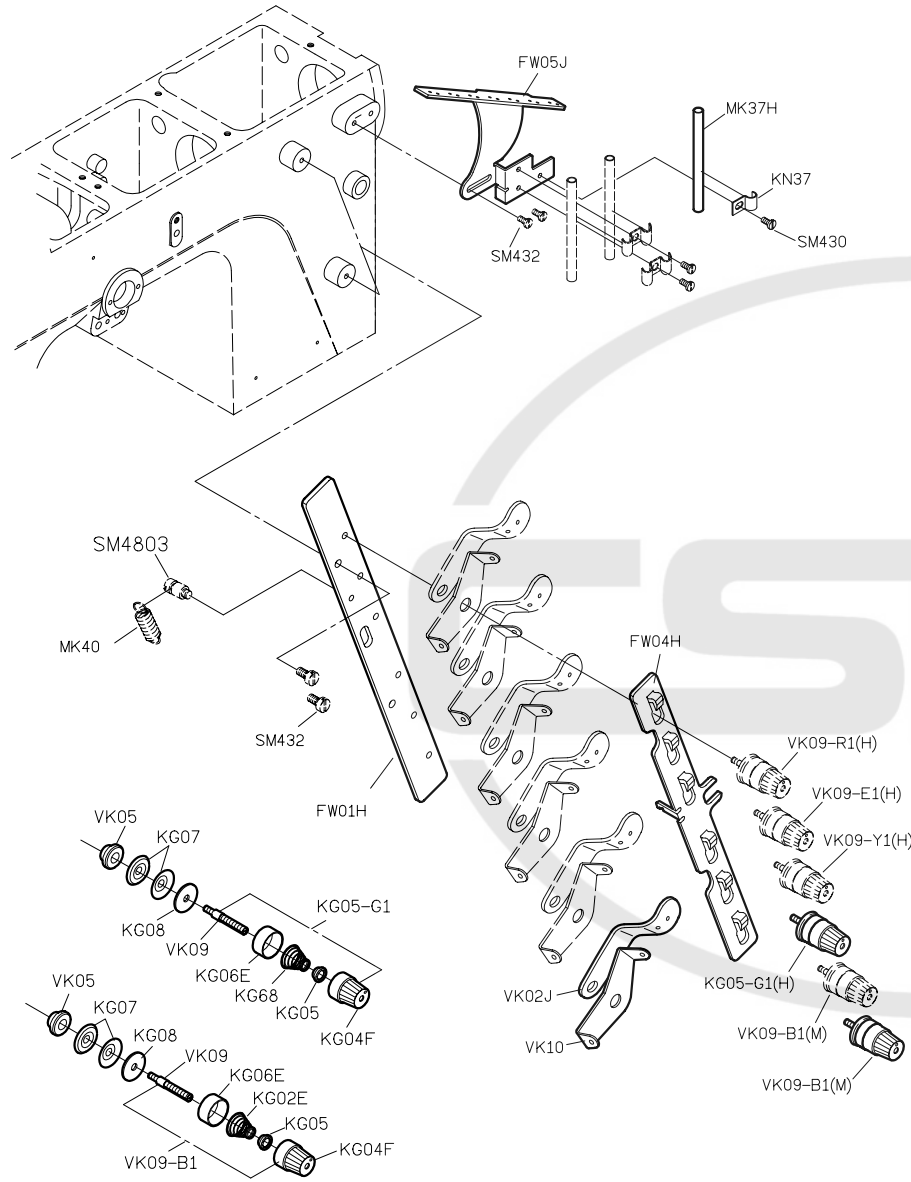
FOR F007J/F007JD

**PARTS LIST FOR FSR (2) GROUP**

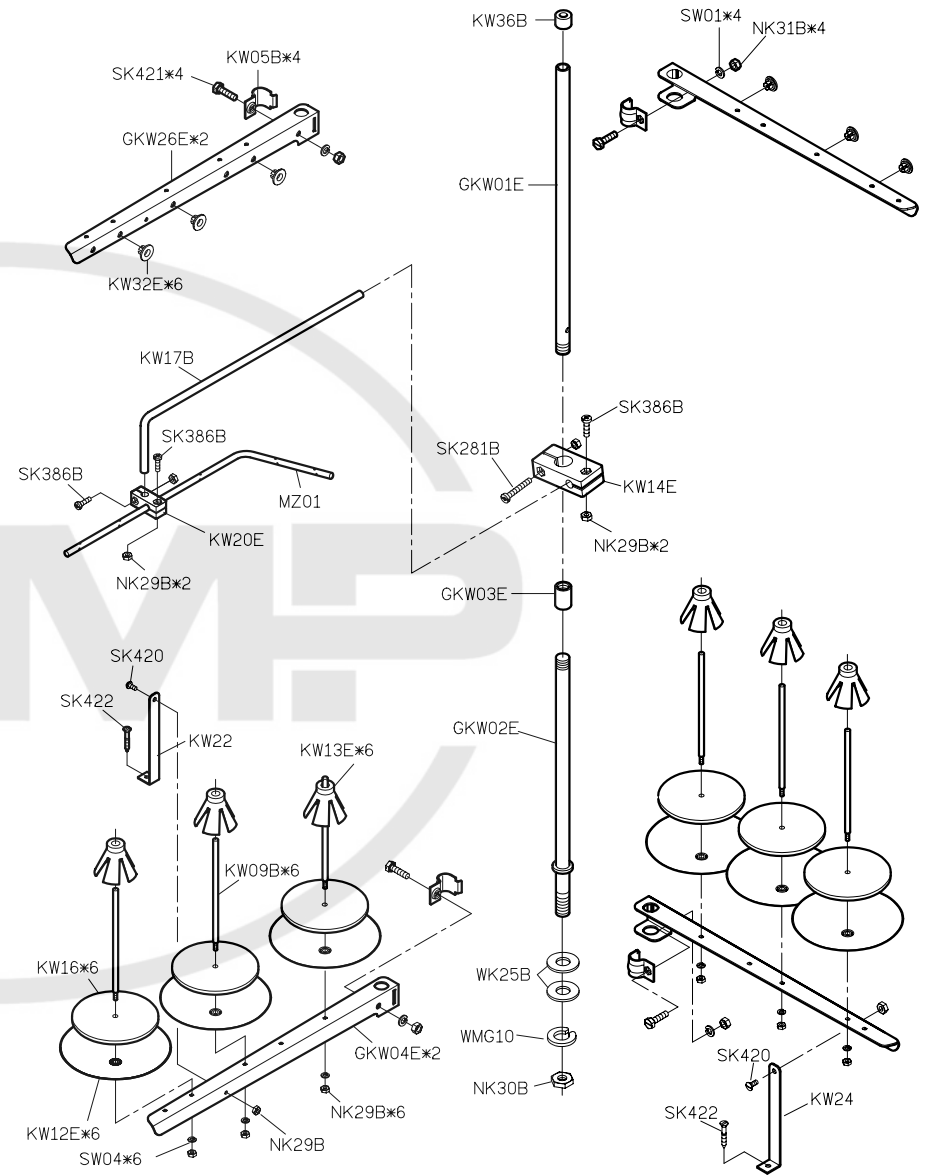
**PARTS LIST FOR FW (1) GROUP**

# PARTS LIST FOR FW (2) GROUP

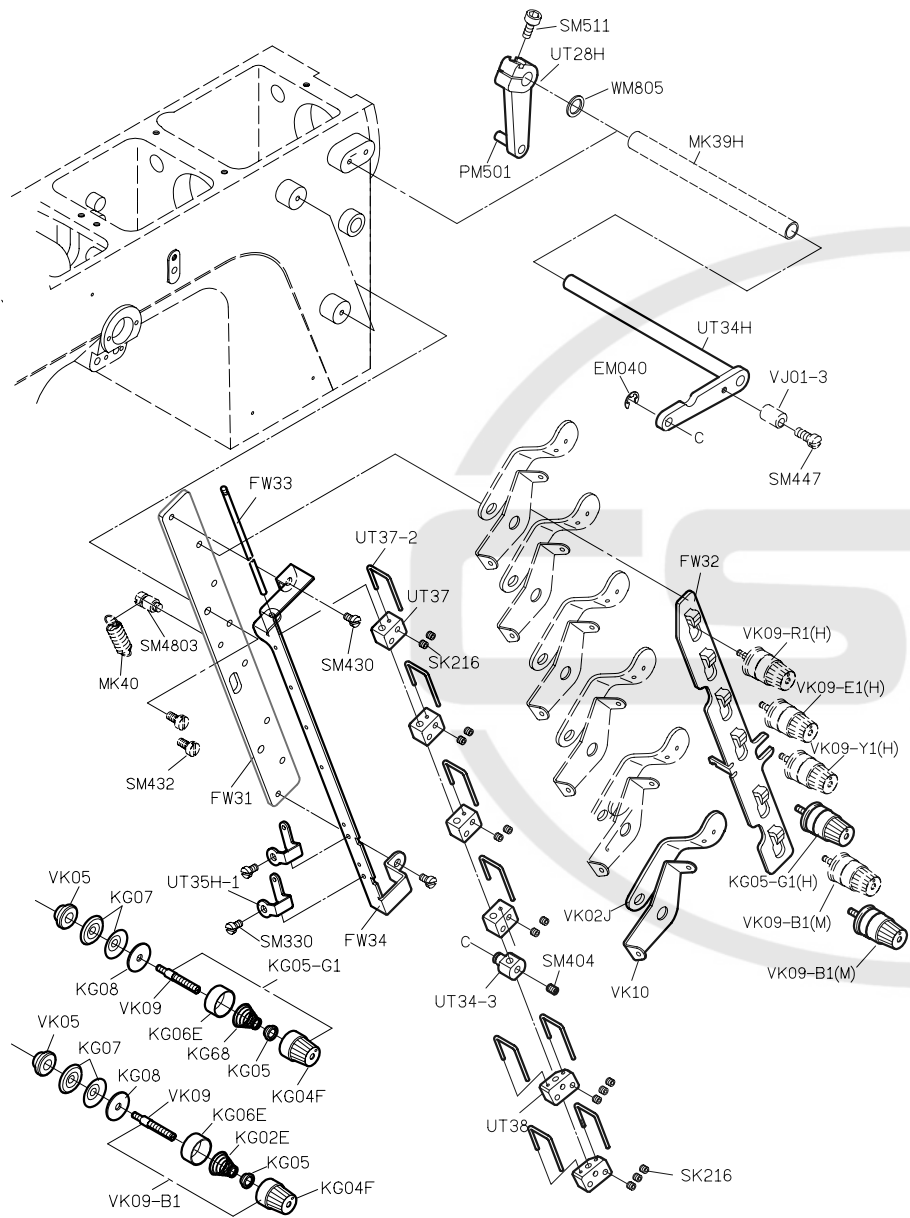
# PARTS LIST FOR FW (3) GROUP



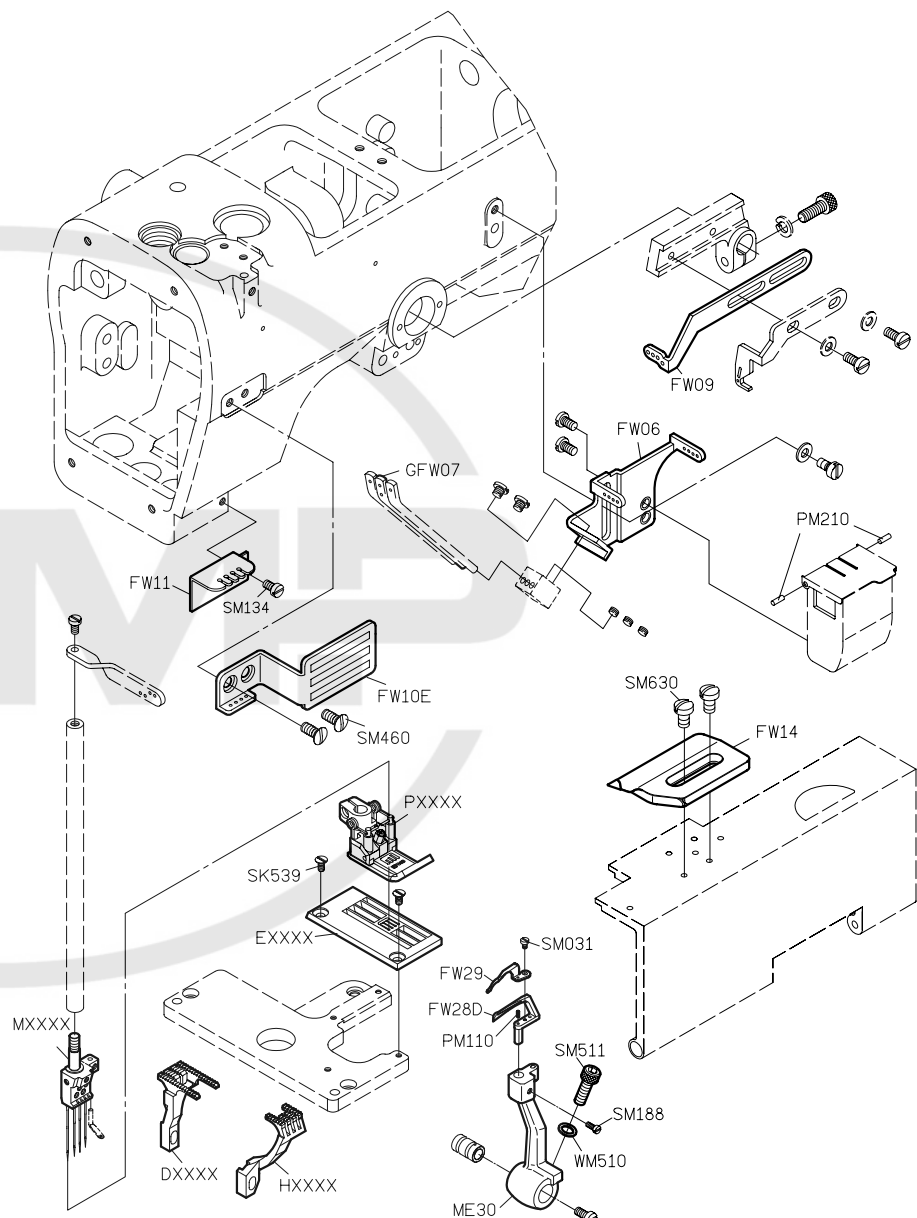
FOR F007J/F007JD/C007J/C007JD/S007J/S007JD



FOR F007J/F007JD/C007J/C007JD/S007J/S007JD



FOR CW-UT/FW-UT



FOR F007J/F007JD

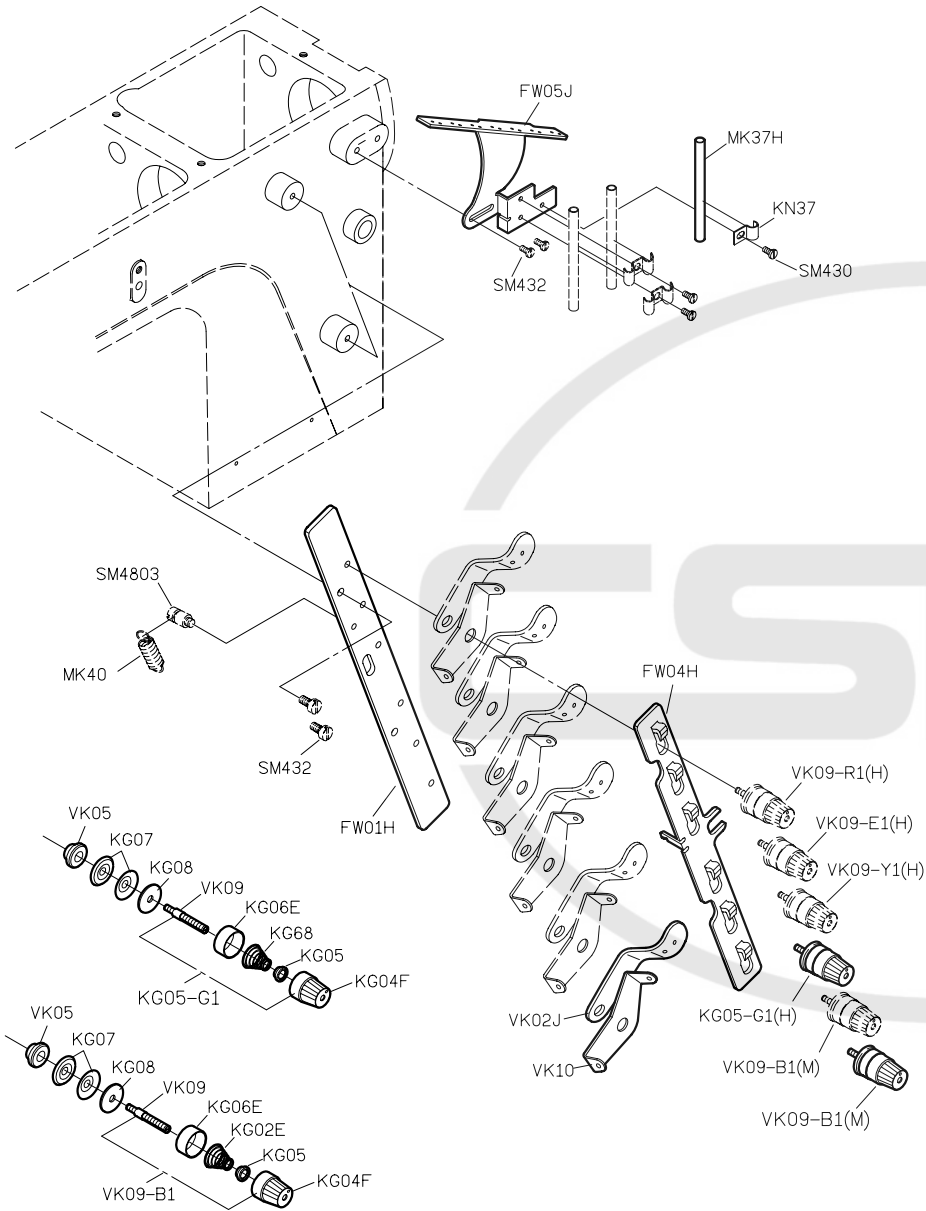
**PARTS LIST FOR FW (4) GROUP**

**PARTS LIST FOR FWP (1) GROUP**

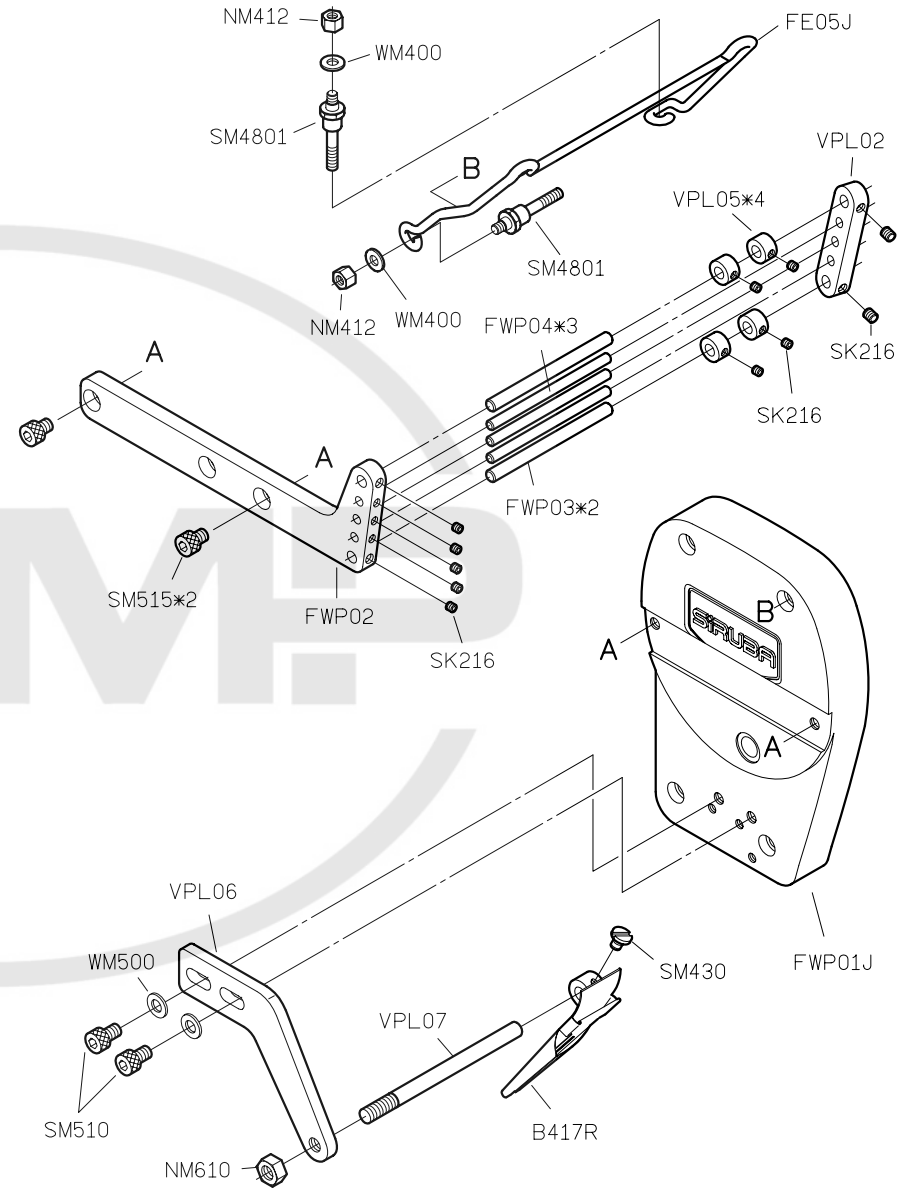


# PARTS LIST FOR FWP (2) GROUP

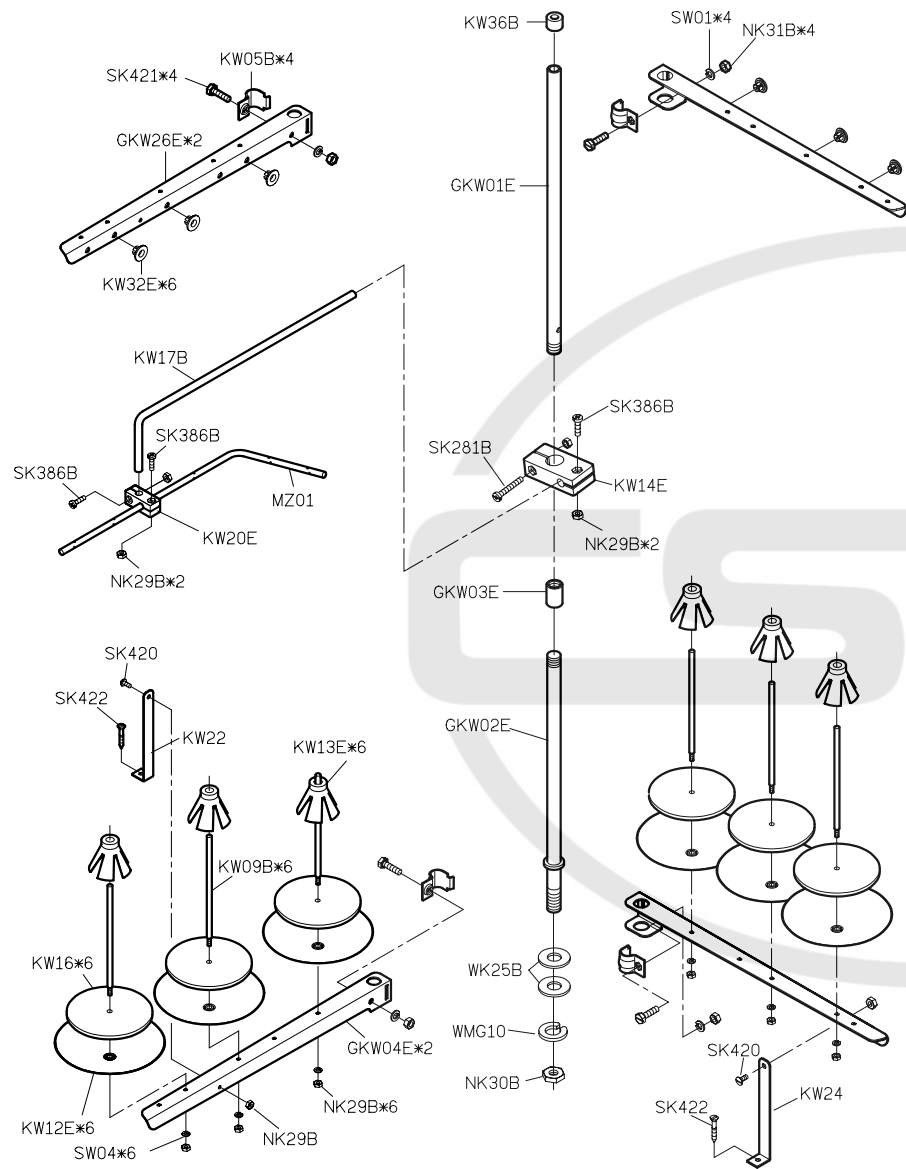
# PARTS LIST FOR FWP (3) GROUP



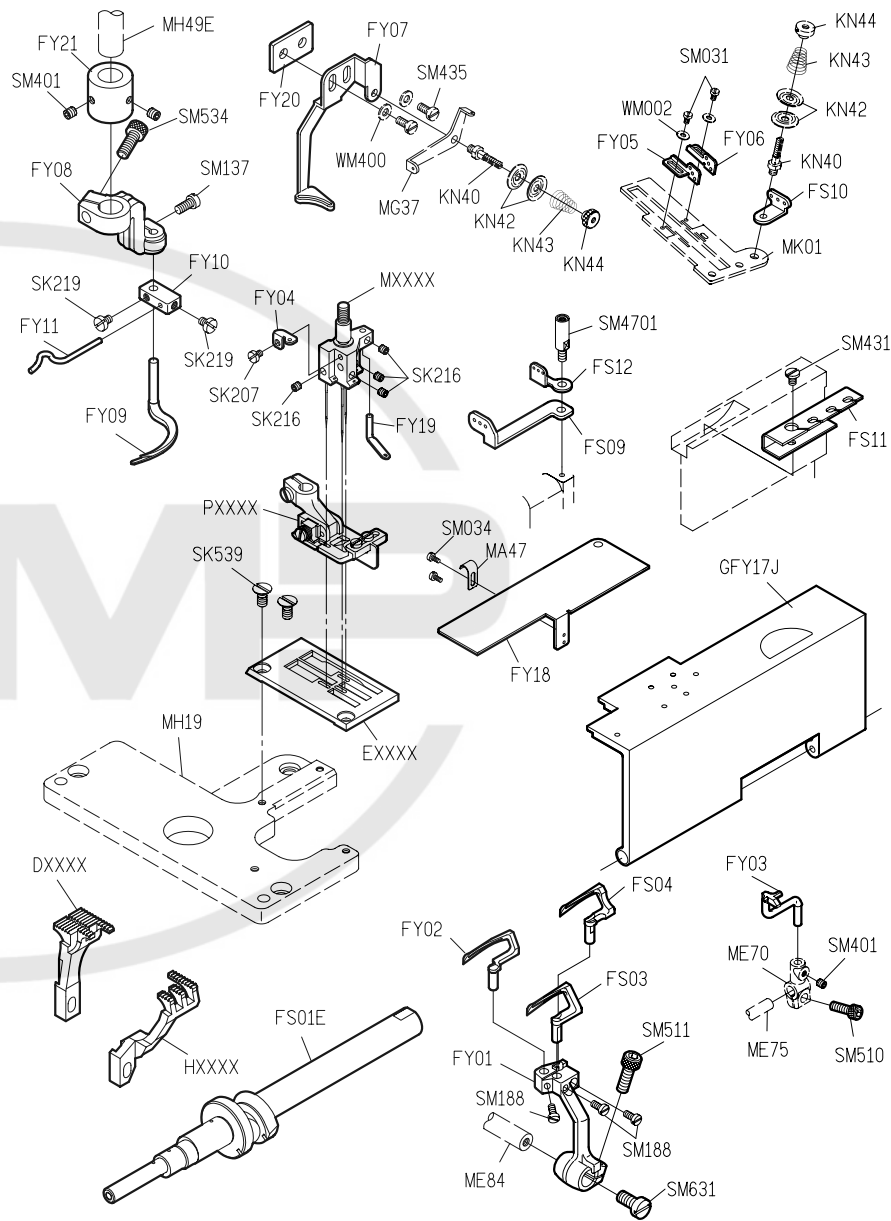
FOR F007J/F007JD



FOR F007J/F007JD



FOR F007J/F007JD/C007J/C007JD/S007J/S007JD

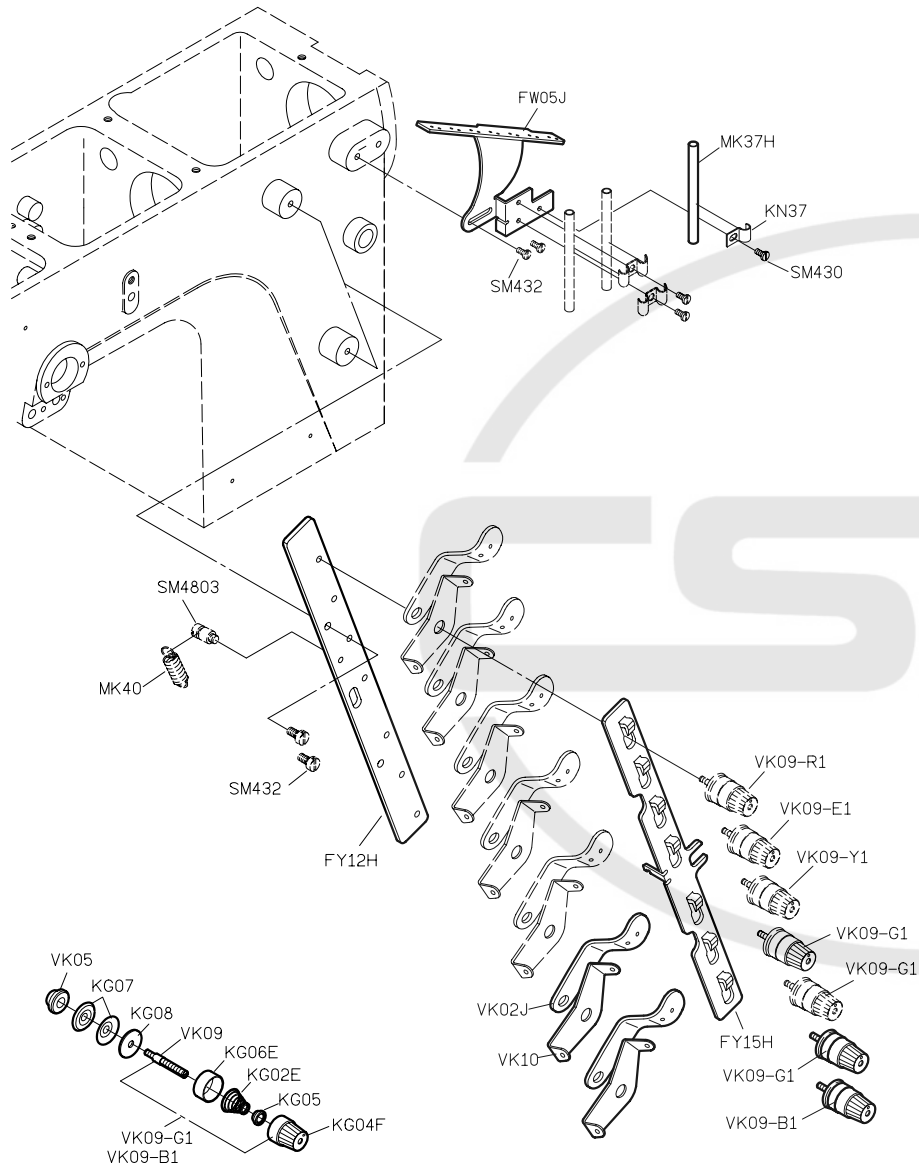


FOR F007J/F007JD

## PARTS LIST FOR FWP (4) GROUP

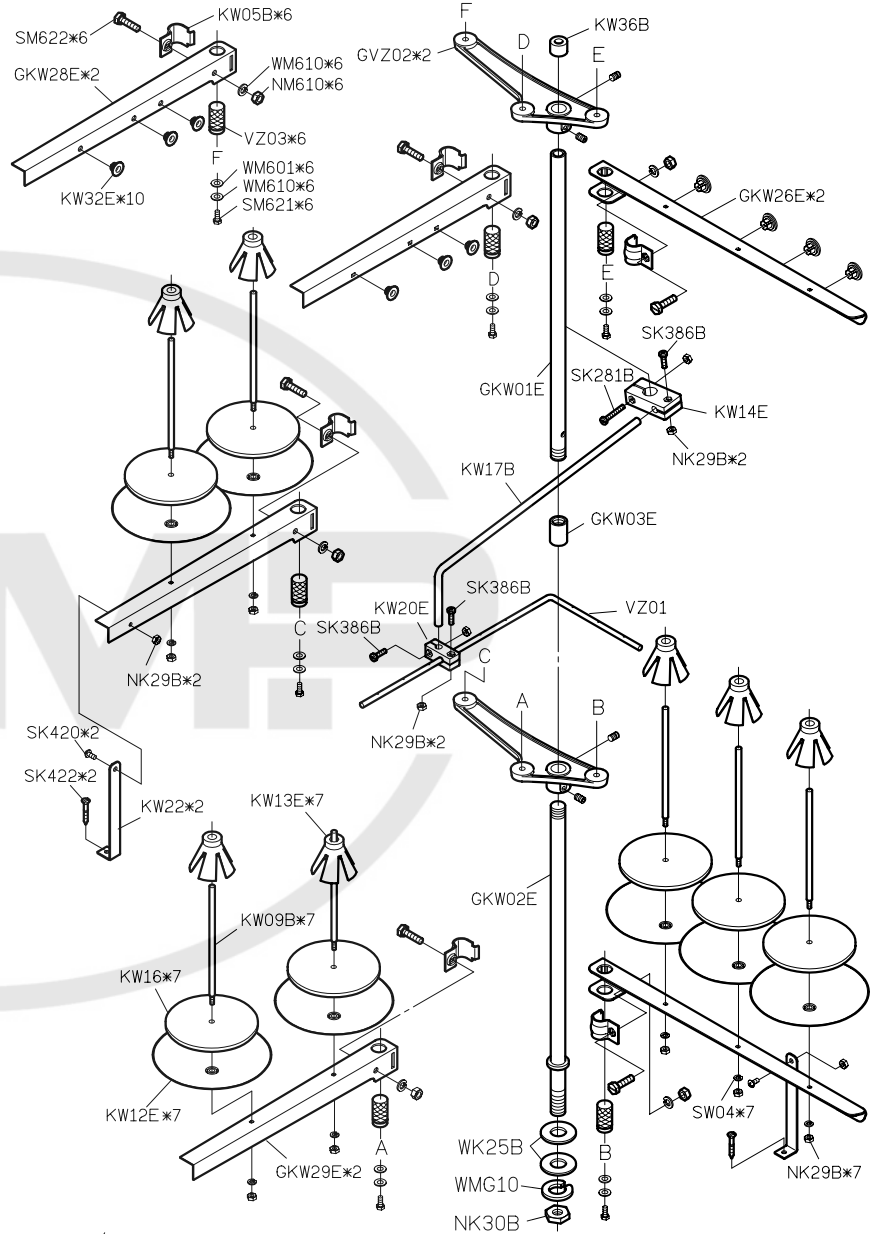
## PARTS LIST FOR FY (1) GROUP

# PARTS LIST FOR FY (2) GROUP

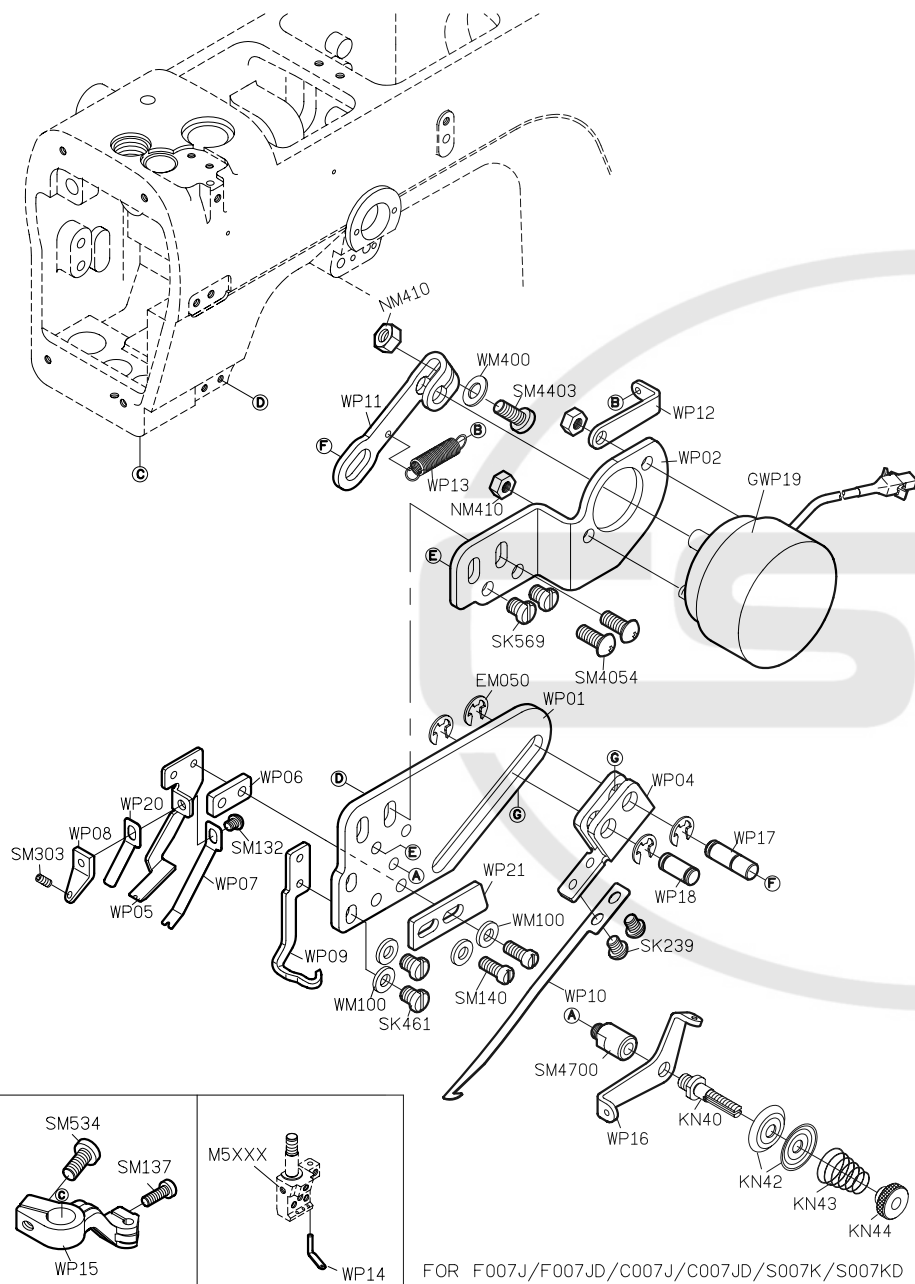


FOR F007J/F007JD

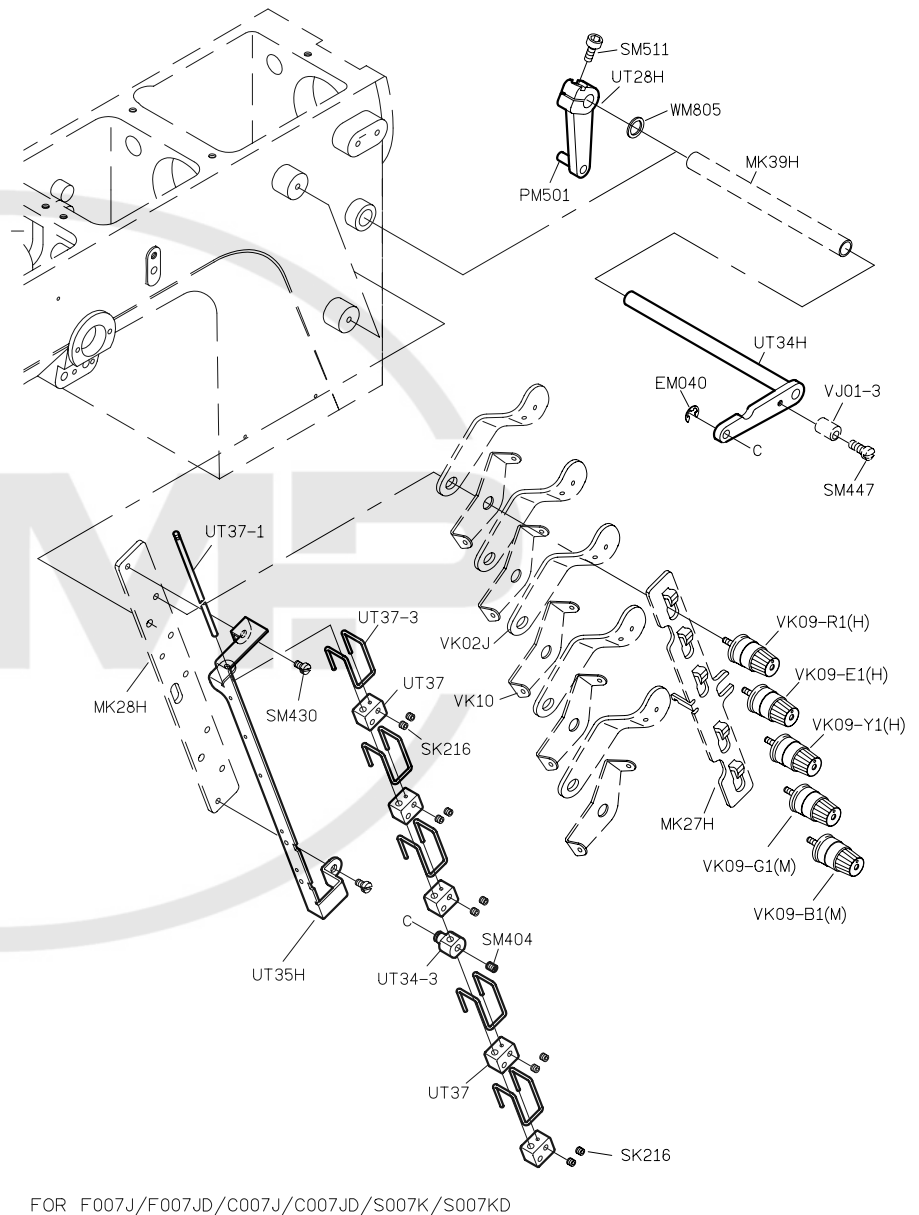
# PARTS LIST FOR FY (3) GROUP



FOR F007J/F007JD



**PARTS LIST FOR WP (1) GROUP**



**PARTS LIST FOR WP (2) GROUP**



# F007 J/JD ATTACHMENT

高林股份有限公司 KAULIN MFG. CO., LTD.



The specification and/or appearances of the equipment described in this parts list are subject to change because of modification without previous notice.

MY137. MAR. 2007