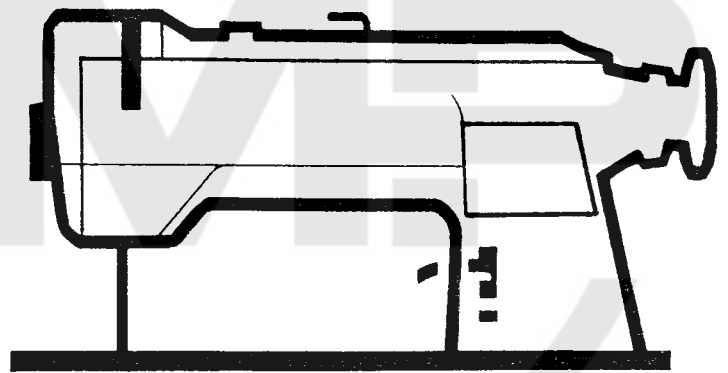




SINGER

**211G465,G466,G665,G666,
G765,G766,G566**

ILLUSTRATED PARTS LIST FOR



SINGER Machine

211G

465	01
	02
466	01
	02
665	01
	02
666	01
	02
765	01
	02
766	01
	02

→ **566**

THE SINGER COMPANY

Form 30-449 G - (0571/-649)

07. MRZ. 1973

Printed in Western Germany

211G566 IS IDENTICAL TO 211G466 -

Except for the following:

510007 Bobbin

510016 Hook Screw

510020 Opener Finger

510008 Hook Complete (one piece-no separate bobbin case)*

* Components of Hook 510008 -

49021PLS Rotating hook bobbin case complete

41163PLS Bobbin case tension spring

41182PLS Bobbin case tension spring screw

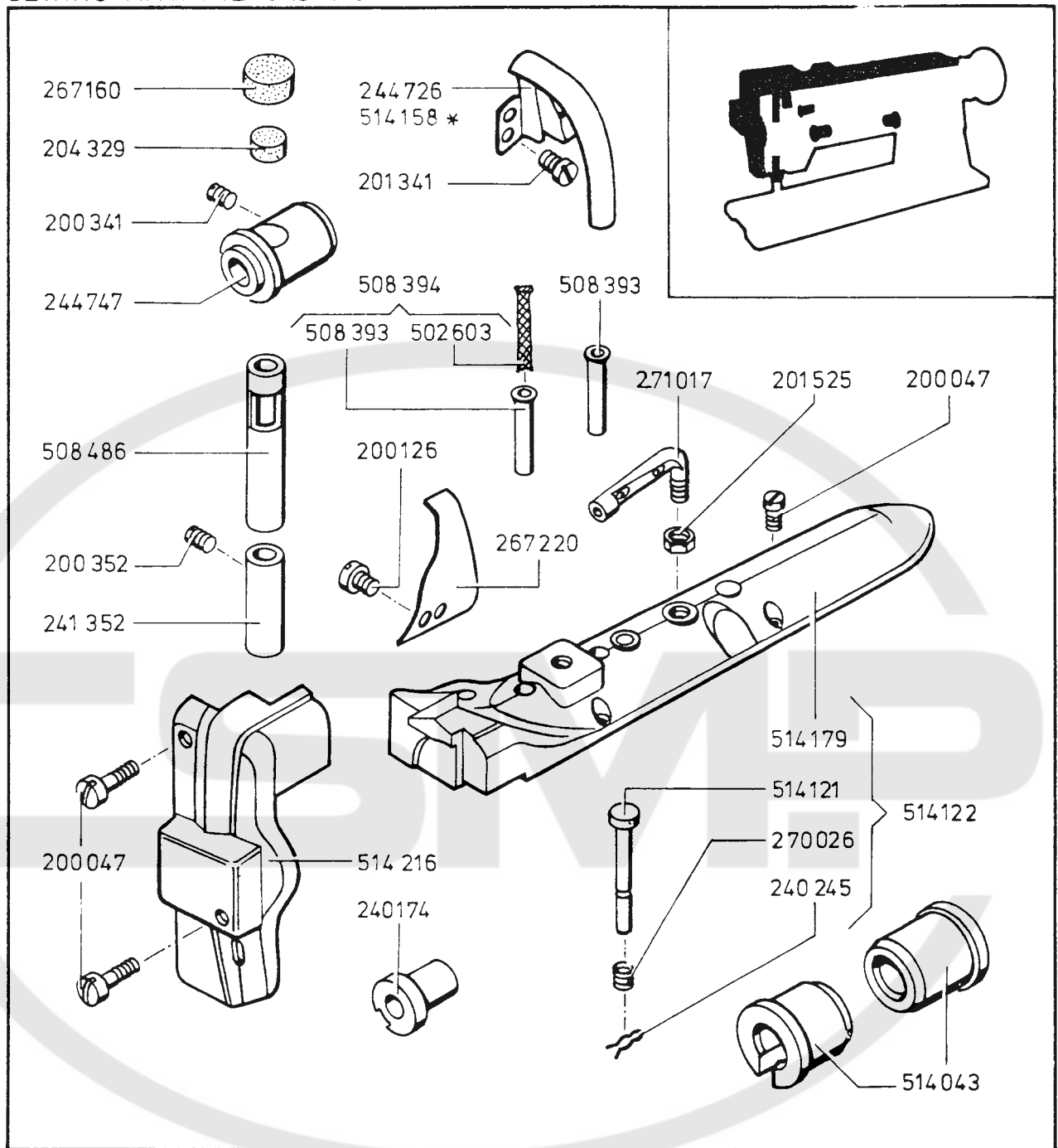
41581PLS Bobbin case tension spring adjusting screw

40582PLS Rotating hook gib screw

41184PLS Rotating hook needle guard screw

48961PLS Hook needle guard

SEWING MACHINE CASTING



* 211 G765/766

211 G 665/666-01-100-(0571)

211 G 665/666-02

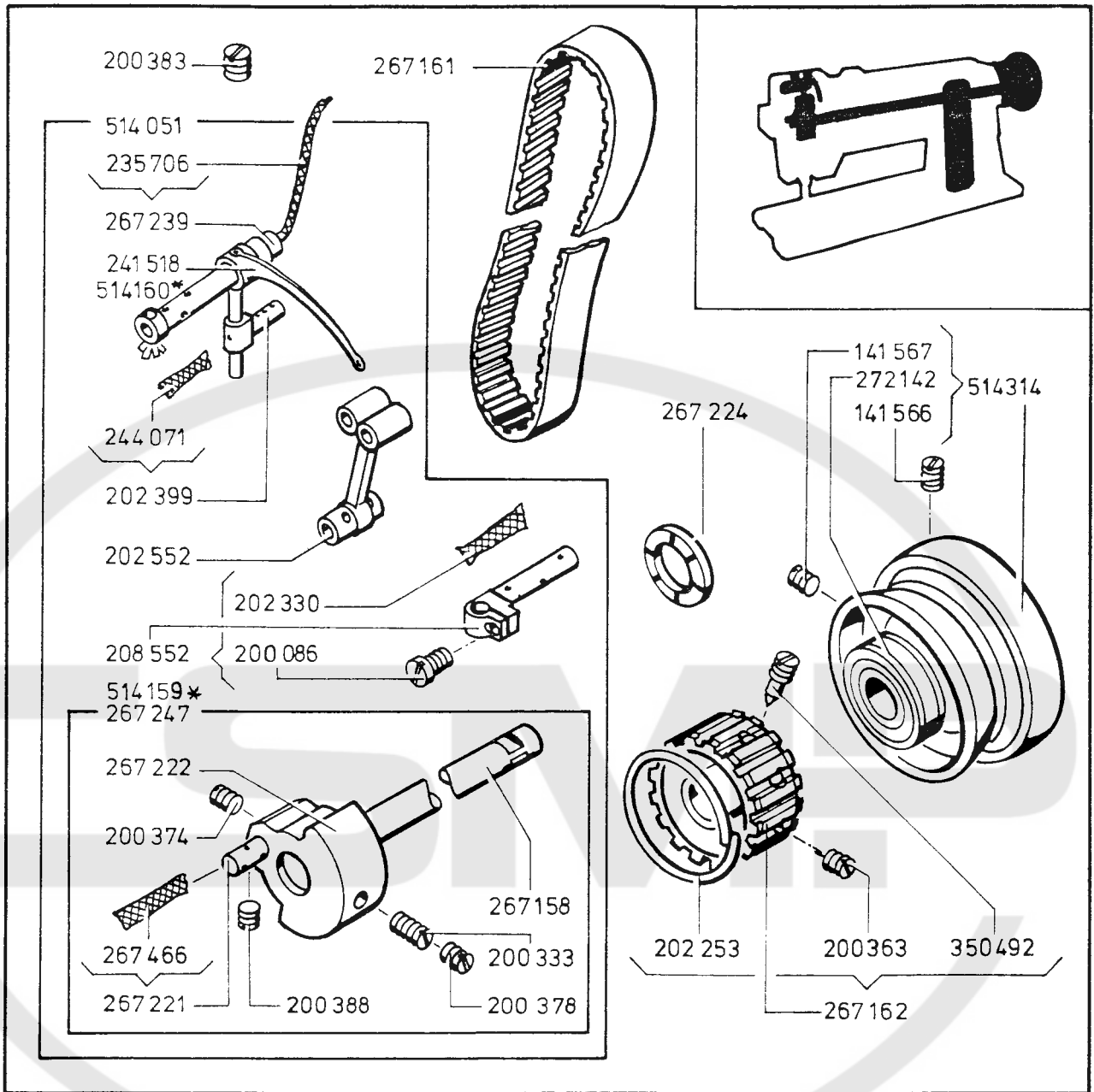
200047-850	ARM COVER (TOP) SCREW (6)
200047-850	FACE PLATE SCREW (2)
200126-850	OIL GUARD SCREW (2)
200341-850	ARM SHAFT BUSHING SET SCREW
200352-833	PRESSER BAR BUSHING AND POSITION GUIDE SET SCREW
201341-833	TAKE-UP LEVER GUARD SCREW (3)
201525-850	THREAD GUIDE (TOP OF ARM) LOCK NUT
204329-000	ARM SHAFT BUSHING OIL PAD (FELT) (LOWER)
240174-000	LIFTING ROCK SHAFT BUSHING (2)
240245	UPPER FEED REGULATING RETAINING SPRING (STUD)
241352-002	PRESSER BAR BUSHING (LOWER)
244726-000	TAKE-UP LEVER GUARD
244747-000	ARM SHAFT BUSHING (FRONT)
267160-000	ARM SHAFT BUSHING OIL PAD (FELT) (UPPER)

267220	OIL GUARD
270026	UPPER FEED REGULATING SPRING
271017	THREAD GUIDE (TOP OF ARM)
502603	ARM COVER (TOP) OIL TUBE WICK
508393	ARM COVER (TOP) OIL TUBE (2)
508394	ARM COVER (TOP) OIL TUBE WITH 502603 AND 508393
508486	PRESSER BAR BUSHING (UPPER)
514043	NEEDLE BAR ROCK SHAFT BUSHING (2)
514121	UPPER FEED REGULATING STUD
514122	ARM COVER (TOP) CPL., NOS. 240245, 270026, 514121 AND 514179
514179	ARM COVER (TOP)
514216	FACE PLATE

PART NO. DESCRIPTION

PART NO. DESCRIPTION

NEEDLE BAR AND TAKE-UP MECHANISM



* 211 G 765/766 211 G 665/ 666-01-300-(0571)
211 G 665/ 666-02

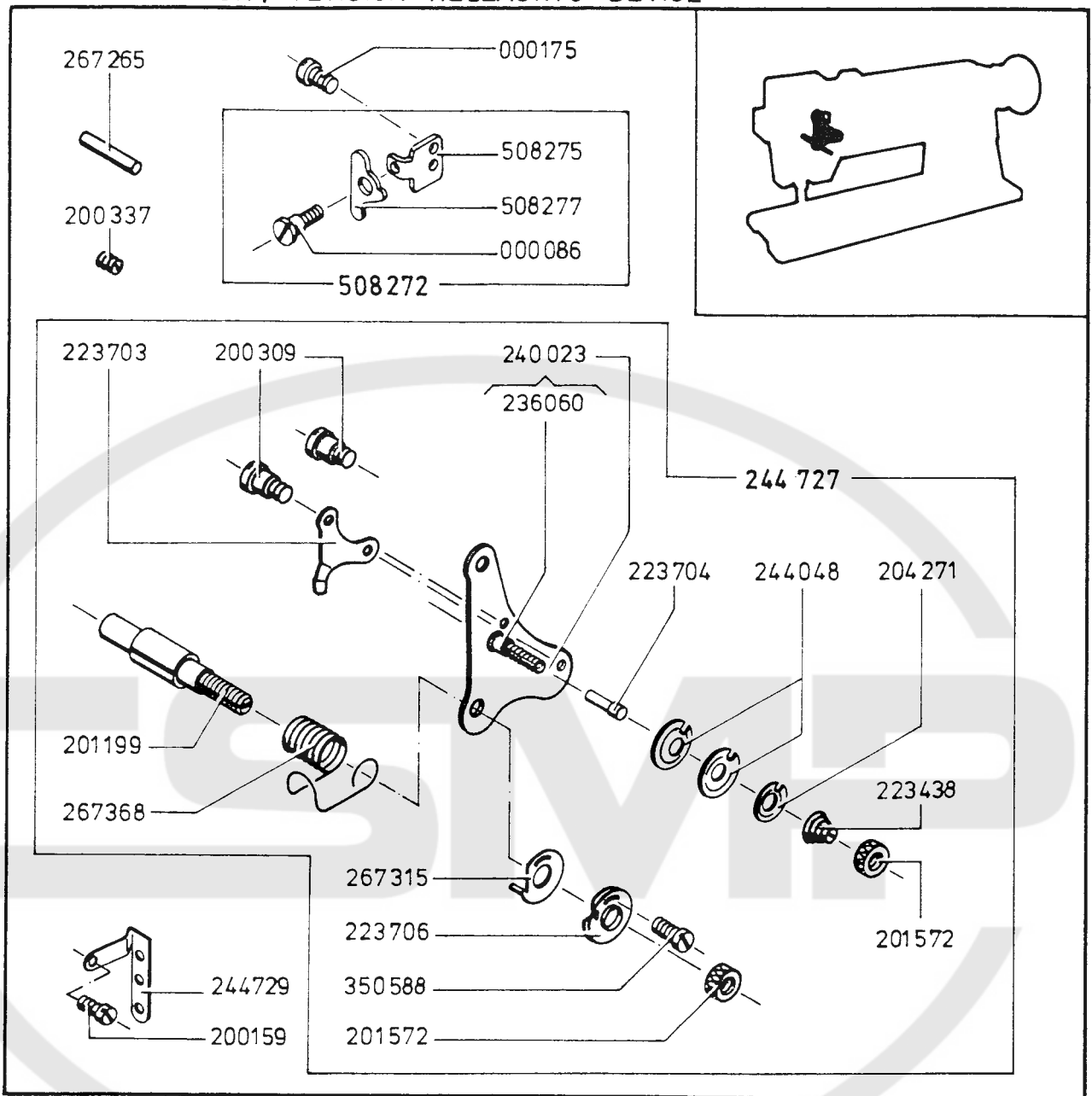
141566-833	MACHINE PULLEY POSITION SCREW
141567-833	MACHINE PULLEY SET SCREW
200086-833	NEEDLE BAR CONNECTING STUD PINCH SCREW
200333-833	NEEDLE BAR CRANK POSITION SCREW
200363-833	ARM SHAFT CONNECTION BELT PULLEY SET SCREW
200374-833	NEEDLE BAR CONNECTING LINK STUD SET SCREW
200378-850	NEEDLE BAR CRANK CHECK SCREW
200383-850	NEEDLE BAR CONNECTING LINK STUD SET SCREW
200388-850	NEEDLE BAR CONNECTING LINK STUD SET SCREW
202253	ARM SHAFT CONNECTION BELT PULLEY SPRING FLANGE (2)
202330	NEEDLE BAR CONNECTING STUD WICK
202399	TAKE-UP LEVER DRIVING STUD WITH 244071
202552	NEEDLE BAR CONNECTING LINK
208552	NEEDLE BAR CONNECTING STUD WITH 200086 AND 202330
235706	TAKE-UP LEVER HINGE STUD OIL WICK
241518	TAKE-UP LEVER
244071	TAKE-UP LEVER DRIVING STUD OIL WICK

267158	ARM SHAFT
267161	ARM SHAFT CONNECTION BELT (REINFORCED NEOPRENE)
267162	ARM SHAFT CONNECTION BELT PULLEY WITH 200363, 350492 AND TWO 202253
267221	NEEDLE BAR CONNECTING LINK STUD WITH 267466
267222	NEEDLE BAR CRANK
267224	NEEDLE BAR CRANK FRICTION WASHER
267239	TAKE-UP LEVER HINGE STUD WITH 235706
267247	ARM SHAFT WITH 200333, 200374, 200378, 200388, 267158, 267221 AND 267222
267466	NEEDLE BAR CONNECTING LINK STUD WICK
272142	ARM SHAFT BALL BEARING (BACK)
350492-830	ARM SHAFT CONNECTION BELT PULLEY POSITION SCREW
512584	MACHINE PULLEY CPL., NOS. 141566, 141567 AND 272142
512585	MACHINE PULLEY CPL., NOS. 141566, 141567 AND 272142
514051	ARM SHAFT CPL., NOS. 202399, 202552, 208552, 241518, 267239 AND 267247

PART NO. DESCRIPTION

PART NO. DESCRIPTION

THREAD TENSION: TENSION RELEASING DEVICE



211 G 665/666-01-500-(0571)
211 G 665/666-02

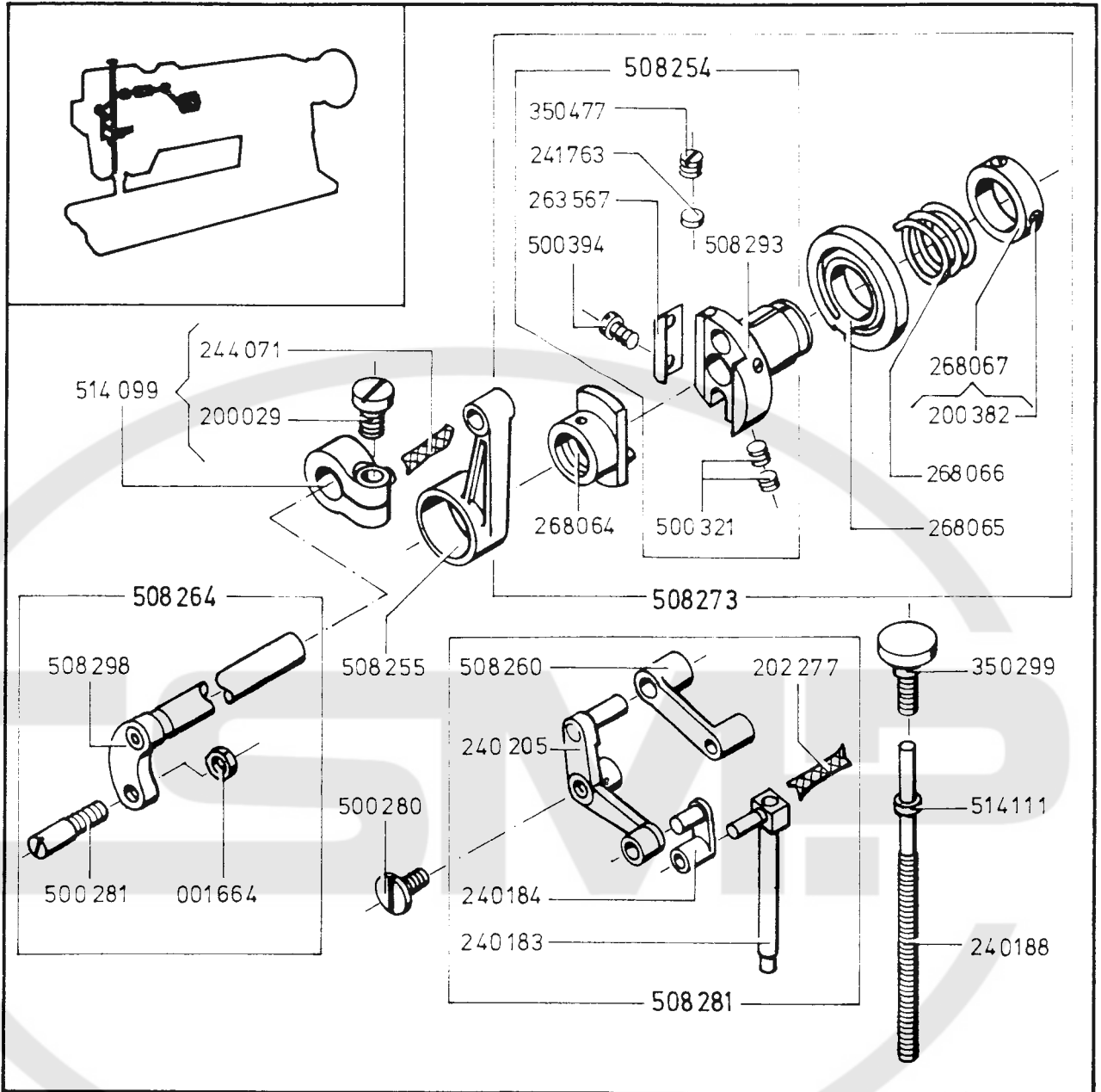
000086-850	TENSION RELEASE BELL CRANK HINGE SCREW
000175-850	TENSION RELEASE BRACKET SCREW (2)
200159-850	TENSION BRACKET SCREW
200309-805	TENSION RELEASE LEVER SCREW (2)
200337-850	THREAD CONTROLLER STUD SET SCREW
201199	THREAD CONTROLLER STUD
201572-850	TENSION THUMB NUT (2)
204271	TENSION RELEASE WASHER
223438	TENSION SPRING
223703	TENSION RELEASE LEVER
223704	TENSION RELEASE PLUNGER
223706	THREAD CONTROLLER DISC
236060	TENSION DISC POSITION PIN
240023	TENSION BRACKET WITH 236060

244048	TENSION DISC (2)
244727	TENSION BRACKET CPL., NOS. 201199, 204271, 223438, 223703, 223704, 223706, 240023, 267315, 267368, 350588 AND TWO EACH 200309, 201572 AND 244048
244729	THREAD RETAINER
267265	TENSION RELEASE LEVER ROD
267315	THREAD CONTROLLER SPRING TOP
267368	THREAD CONTROLLER SPRING
350588-819	THREAD DRIVING ROCK SHAFT BUSHING OIL TUBE
508272	TENSION RELEASE BRACKET CPL., NOS. 86, 508275 AND 508277
508275	TENSION RELEASE BRACKET
508277	TENSION RELEASE BELL CRANK

PART NO. DESCRIPTION

PART NO. DESCRIPTION

FEEDING MECHANISM (UPPER)



211 G 665/666-01-700-(0571)
211 G 665/666-02

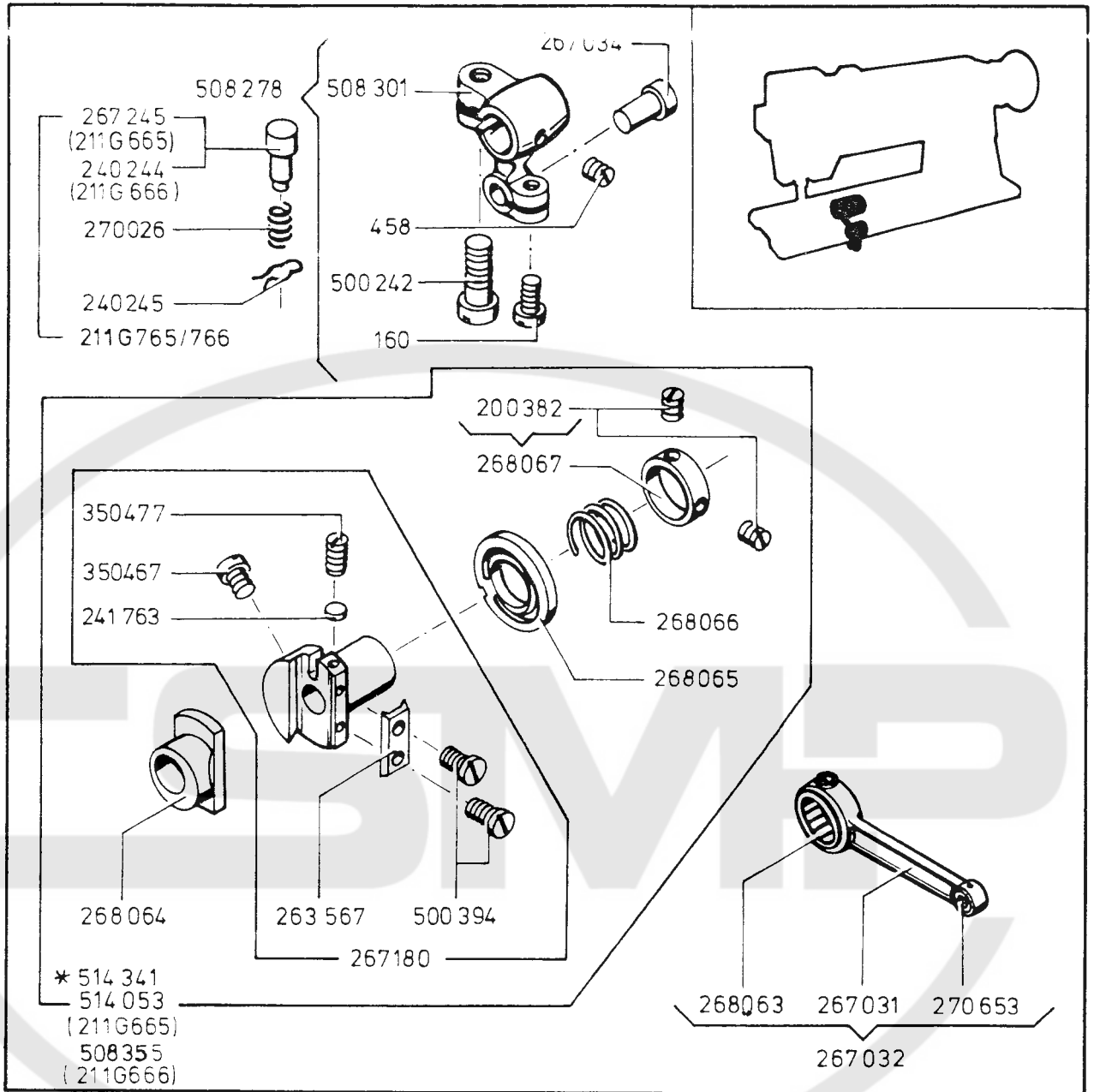
001664-805	LIFTING BELL CRANK LINK SCREW STUD NUT
200029-805	LIFTING ECCENTRIC CONNECTION CRANK PINCH SCREW
200382-833	LIFTING ECCENTRIC ADJUSTING DISC SPRING COLLAR SET SCREW (2)
202277	VIBRATING PRESSER BAR WICK
240183	VIBRATING PRESSER BAR CONNECTION LINK
240184	VIBRATING PRESSER BAR CONNECTING LINK
240188	VIBRATING PRESSER BAR EXTENSION SPRING
240205	LIFTING BELL CRANK
241763	LIFTING ECCENTRIC FRICTION PLATE SCREW SET SCREW PACKING (BRASS) (2)
244071	LIFTING ECCENTRIC CONNECTION CRANK OIL WICK
263567	LIFTING ECCENTRIC FRICTION PLATE
268064	LIFTING ECCENTRIC
268065	FEED DRIVING ECCENTRIC ADJUSTING DISC
268066	FEED DRIVING ECCENTRIC ADJUSTING DISC SPRING
268067	LIFTING ECCENTRIC ADJUSTING DISC SPRING COLLAR WITH TWO 200382
350299-850	VIBRATING PRESSER BAR THUMB SCREW (PRESSURE REGULATING)
350477-850	FEED DRIVING ECCENTRIC FRICTION PLATE SCREW SET SCREW (2)

500280-850	LIFTING BELL CRANK CAP SCREW
500281	LIFTING BELL CRANK LINK SCREW STUD
500321-869	LIFTING ECCENTRIC FLANGE HEXAGON SOCKET SCREW (4)
500394-850	LIFTING ECCENTRIC FRICTION PLATE SCREW (2)
508254	LIFTING ECCENTRIC FLANGE CPL., NOS. 263567, 508293, TWO EACH 241763, 350477, 500394 AND FOUR 500321
508255	LIFTING ECCENTRIC CONNECTION
508260	LIFTING BELL CRANK LINK
508264	LIFTING ROCK SHAFT CPL., NOS. 1664, 500281 AND 508298
508273	LIFTING ECCENTRIC CONNECTION CPL., NOS. 268064, 268065, 268066, 268067 AND 508254
508281	VIBRATING PRESSER BAR WITH BELL CRANK AND LIFTING BELL CRANK CPL., NOS. 202277, 240183, 240184, 240205 AND 508260
508293	LIFTING ECCENTRIC FLANGE
508298	LIFTING ROCK SHAFT
514099	LIFTING ECCENTRIC CONNECTION CRANK WITH 200029 AND 244071
514111	VIBRATING PRESSER BAR EXTENSION

PART NO. DESCRIPTION

PART NO. DESCRIPTION

STITCH REGULATING MECHANISM (LOWER)



* 211 G 765 / 766

211 G 665 -01-900-(0571)
211 G 665-02

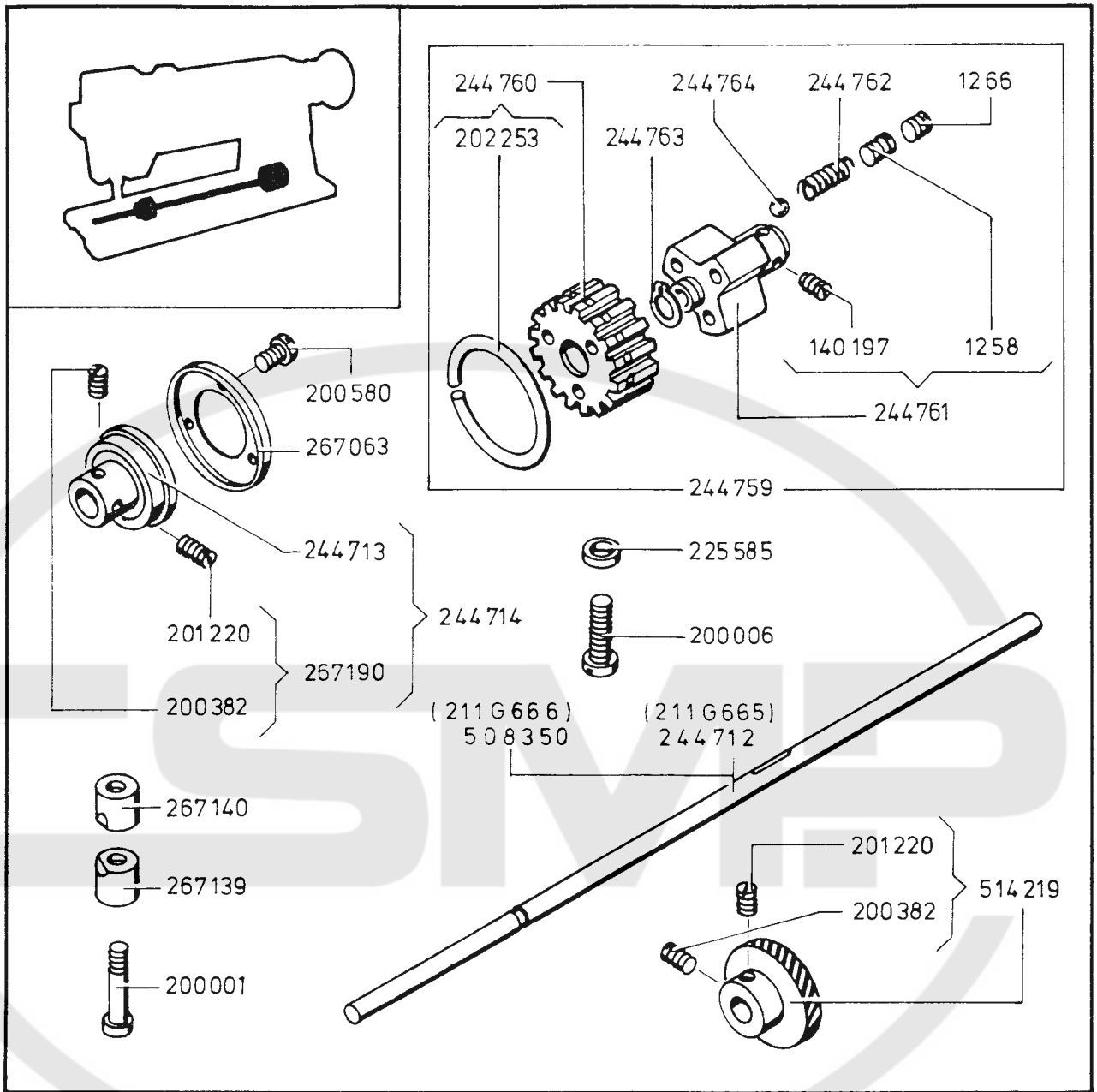
000160-850	FEED DRIVING ECCENTRIC CONNECTION HINGE STUD SCREW
000458-830	FEED DRIVING ROCK SHAFT CRANK POSITION SCREW
200382-833	FEED DRIVING ECCENTRIC ADJUSTING DISC SPRING COLLAR SET SCREW (2)
240244	FEED REGULATING STUD
240245	FEED REGULATING STUD RETAINING SPRING
241763	FEED DRIVING ECCENTRIC FRICTION PLATE SCREW SET SCREW PACKING (BRASS) (2)
263567	FEED DRIVING ECCENTRIC FRICTION PLATE
267031	FEED DRIVING ECCENTRIC CONNECTION
267032	FEED DRIVING ECCENTRIC CONNECTION CPL., NOS. 267031, 268063 AND 270653
267034	FEED DRIVING ECCENTRIC CONNECTION HINGE STUD
267180	FEED DRIVING FLANGE WITH 263567 AND TWO EACH 350467, 350477, 241763 AND 500394
267245	FEED REGULATING STUD
268063	FEED DRIVING ECCENTRIC CONNECTION NEEDLE BEARING

268064	FEED DRIVING ECCENTRIC
268065	FEED DRIVING ECCENTRIC ADJUSTING DISC
268066	FEED DRIVING ECCENTRIC ADJUSTING DISC SPRING
268067	FEED DRIVING ECCENTRIC ADJUSTING DISC SPRING COLLAR WITH TWO 200382
270026	FEED REGULATING STUD SPRING
270653	FEED DRIVING ECCENTRIC CONNECTION HINGE STUD NEEDLE BEARING
350467-833	FEED DRIVING FLANGE SET SCREW (2)
350477-850	FEED DRIVING ECCENTRIC FRICTION PLATE SCREW SET SCREW (2)
500242-850	FEED DRIVING ROCK SHAFT CRANK PINCH SCREW
500394-850	FEED DRIVING ECCENTRIC FRICTION PLATE SCREW (2)
508278	FEED DRIVING ROCK SHAFT CRANK CPL., NOS. 160, 458, 500242 AND 508301
508301	FEED DRIVING ROCK SHAFT CRANK
665 514053	FEED DRIVING ECCENTRIC CPL., NOS. 267180, 268064, 268065, 268066 AND 268067
666 508355	

PART NO. DESCRIPTION

PART NO. DESCRIPTION

HOOK AND HOOK DRIVE



211 G 665/666-01-1000-(0571)
211 G 665/666-02

001258-833	SAFETY CLUTCH OVER LOAD PULLEY ADJUSTING SCREW (3)
001266-833	SAFETY CLUTCH OVER LOAD PULLEY ADJUSTING SCREW LOCK SCREW (3)
140197-833	SAFETY CLUTCH OVER LOAD PULLEY SET SCREW (2)
200001-850	HOOK SADDLE PINCH SLEEVE SCREW
200006-850	HOOK SADDLE SCREW
200382-833	HOOK DRIVING PINION SET SCREW (2)
200580-819	HOOK DRIVING SHAFT BALL BEARING RETAINING WASHER SCREW (3)
201220-833	HOOK DRIVING PINION POSITION SCREW (2)
202253	SAFETY CLUTCH BELT PULLEY SPRING FLANGE
225585	HOOK SADDLE SCREW WASHER
244712 G 665	HOOK DRIVING SHAFT G 666 508350
244713	HOOK DRIVING SHAFT BALL BEARING
244714	HOOK DRIVING SHAFT BALL BEARING COLLAR CPL., NOS. 244713, AND 267190

244759	SAFETY CLUTCH CPL., NOS. 244760, 244761, 244763 AND THREE EACH 1266, 244762 AND 244764
244760	SAFETY CLUTCH BELT PULLEY WITH 202253
244761	SAFETY CLUTCH OVER LOAD PULLEY WITH TWO 140197 AND THREE 1258
244762	SAFETY CLUTCH DRIVING BALL SPRING (3)
244763	SAFETY CLUTCH OVER LOAD PULLEY RETAINING RING
244764	SAFETY CLUTCH DRIVING BALL 7/32 INCH DIAMETER (3)
267063	HOOK DRIVING SHAFT BALL BEARING RETAINING WASHER
267139	HOOK SADDLE PINCH SLEEVE (LOWER)
267140	HOOK SADDLE PINCH SLEEVE (UPPER)
267190	HOOK DRIVING SHAFT BALL BEARING COLLAR WITH 200382 AND 201220
514219	HOOK DRIVING GEAR WITH 200382 AND 201220

PART NO. DESCRIPTION

PART NO. DESCRIPTION

HOOK AND HOOK DRIVE

200022-850 THREAD TRIMMING KNIFE RETAINING
PLATE BRACKET SCREW (RIGHT)
200026-850 LOWER MOUNTING BRACKET (LEFT) SCREW
200061-833 HOOK SADDLE OIL RESERVOIR SCREW
200089-850 HOOK BALL BEARING SCREW (2)
200135-850 BOBBIN CASE OPENER LINK CAP SCREW (2)
200185-850 HOOK SADDLE OIL STOP SCREW
200374-833 BOBBIN CASE OPENER CRANK
200378-850 HOOK SADDLE OIL REGULATING SCREW
CHECK SCREW
200388-850 BOBBIN CASE OPENER CRANK HINGE STUD
(RIGHT) SET SCREW CHECK SCREW
244084 FEED DRIVING ROCK SHAFT BUSHING (RIGHT)
PINCH SCREW SET SCREW PACKING (FIBRE)
244704 BOBBIN CASE OPENER CAM SHAFT
267053 HOOK BALL BEARING
267166 BOBBIN CASE OPENER CRANK
267167 BOBBIN CASE OPENER CRANK HINGE STUD
(RIGHT)
267200 HOOK SADDLE OIL RESERVOIR (RIGHT)
267212 HOOK SADDLE OIL RESERVOIR GASKET
267277 HOOK SADDLE OIL STRAINER
267365 BOBBIN CASE OPENER DRIVING CAM SHAFT
GEAR SPIRAL WITH TWO 350595
267370 BOBBIN CASE OPENER DRIVING CAM SHAFT
BUSHING LOWER
267371 BOBBIN CASE OPENER DRIVING CAM SHAFT
BUSHING UPPER
270880 HOOK SHAFT OIL WICK
271808 HOOK SADDLE OIL GAUGE SEAL
276061 HOOK SHAFT OIL WICK HOLDER
350564-805 HOOK SADDLE OIL REGULATING SCREW
350595-869 BOBBIN CASE OPENER DRIVING CAM SHAFT
GEAR SET SCREW (2)
350595-869 HOOK DRIVING PINION (SPIRAL) SET
SCREW (2)
500190-850 THREAD PULLER BRACKET SECURING SCREW
500246-850 HOOK SADDLE COVER PLATE SCREW (4)
511502-869 THREAD CUTTING KNIFE DRIVING SHAFT
BRACKET SCREW (2)
511505-869 THREAD CUTTING KNIFE DRIVING SHAFT
STOP CRANK SCREW
511507-869 THREAD PULLER CAM SCREW
511510-869 THREAD CUTTING KNIFE DRIVING SHAFT
TORSION SPRING COLLAR SCREW (2)
511547-850 UPPER MOUNTING PLATE SECURING SCREW
512008 UPPER MOUNTING PLATE WASHER
512010 THREAD CUTTING KNIFE DRIVING CRANK
WASHER
512012 THREAD CUTTING KNIFE DRIVING SHAFT
POSITIONING COLLAR
512077 HOOK SADDLE OIL GAUGE PIN
512525 THREAD PULLER DRIVE CAM WITH 511507
512553 THREAD CUTTING KNIFE DRIVING SHAFT
STOP CRANK WITH 511505
512568 LOWER MOUNTING BRACKET
512569 THREAD CUTTING KNIFE DRIVING
SHAFT BRACKET
512570 THREAD CUTTING KNIFE DRIVING
SHAFT
512727 HOOK SADDLE (RIGHT) OIL WICK
514010 THREAD CUTTING KNIFE DRIVING
SHAFT TORSION SPRING COLLAR WITH
TWO 511510

211 G 665/666 - 01-1110-(0571)

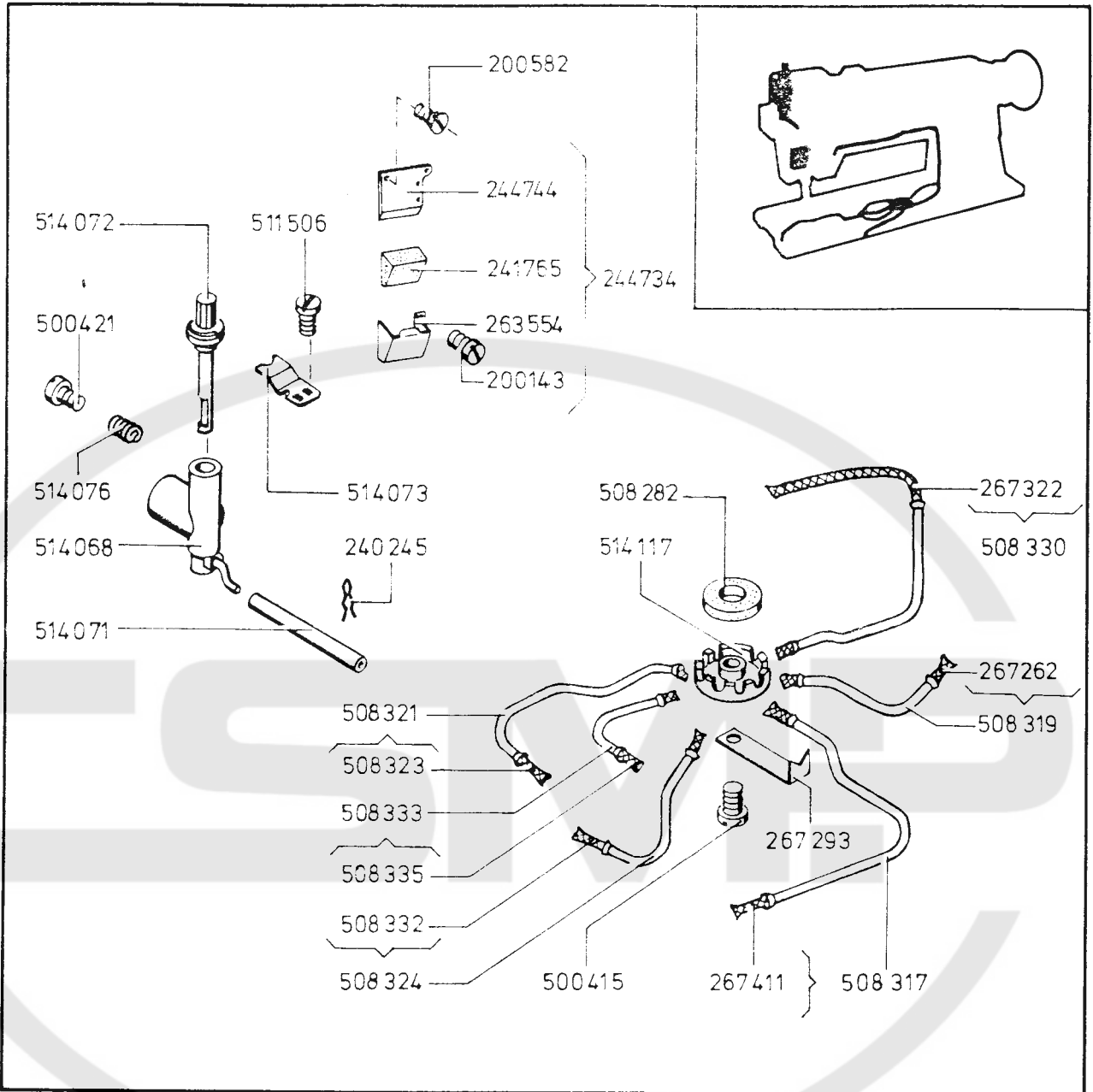
211 G 665/666 - 02

514011 THREAD CUTTING KNIFE DRIVING SHAFT
TORSION SPRING
514018 UPPER MOUNTING PLATE (RIGHT)
514024 THREAD PULLER BRACKET (RIGHT)
514039 THREAD TRIMMING KNIFE RETAINING
PLATE BRACKET (RIGHT)
514164 HOOK SADDLE (RIGHT) WITH 200185,
267370, 267371, 512727, 514165, 514166
AND 514215
514165 HOOK SADDLE (RIGHT) FOAM CUSHION
514166 HOOK SHAFT BUSHING
514168 HOOK SADDLE OIL GAUGE WITH 271808
514171 HOOK SADDLE COVER PLATE (RIGHT)
514173 HOOK BALL BEARING RETAINER (2)
514174 HOOK SHAFT WITH 270880 AND 276061
514213 BOBBIN CASE OPENER LINK (RIGHT)
514215 HOOK SADDLE OIL GAUGE SLEEVE WITH
267277
514218-902 HOOK DRIVING PINION (SPIRAL) WITH
TWO 350595
514226 HOOK SADDLE CPL., NOS. 200022,
200026, 200061, 200374, 200378, 200388,
244084, 244704, 267053, 267166, 267167,
267200, 267212, 267365, 350564, 500190,
511547, 512010, 512012, 512077, 512525,
512553, 512568, 512569, 512570, 514010,
514011, 514018, 514024, 514039, 514164,
514166, 514171, 514174, 514213, 514218
AND TWO EACH 200089, 200135, 511502,
512008, 514173, 511510 AND THREE
500246 AND FOUR

PART NO. DESCRIPTION

PART NO. DESCRIPTION

LUBRICATING SYSTEM



211 G 665/ 666-01-1300-(0571)

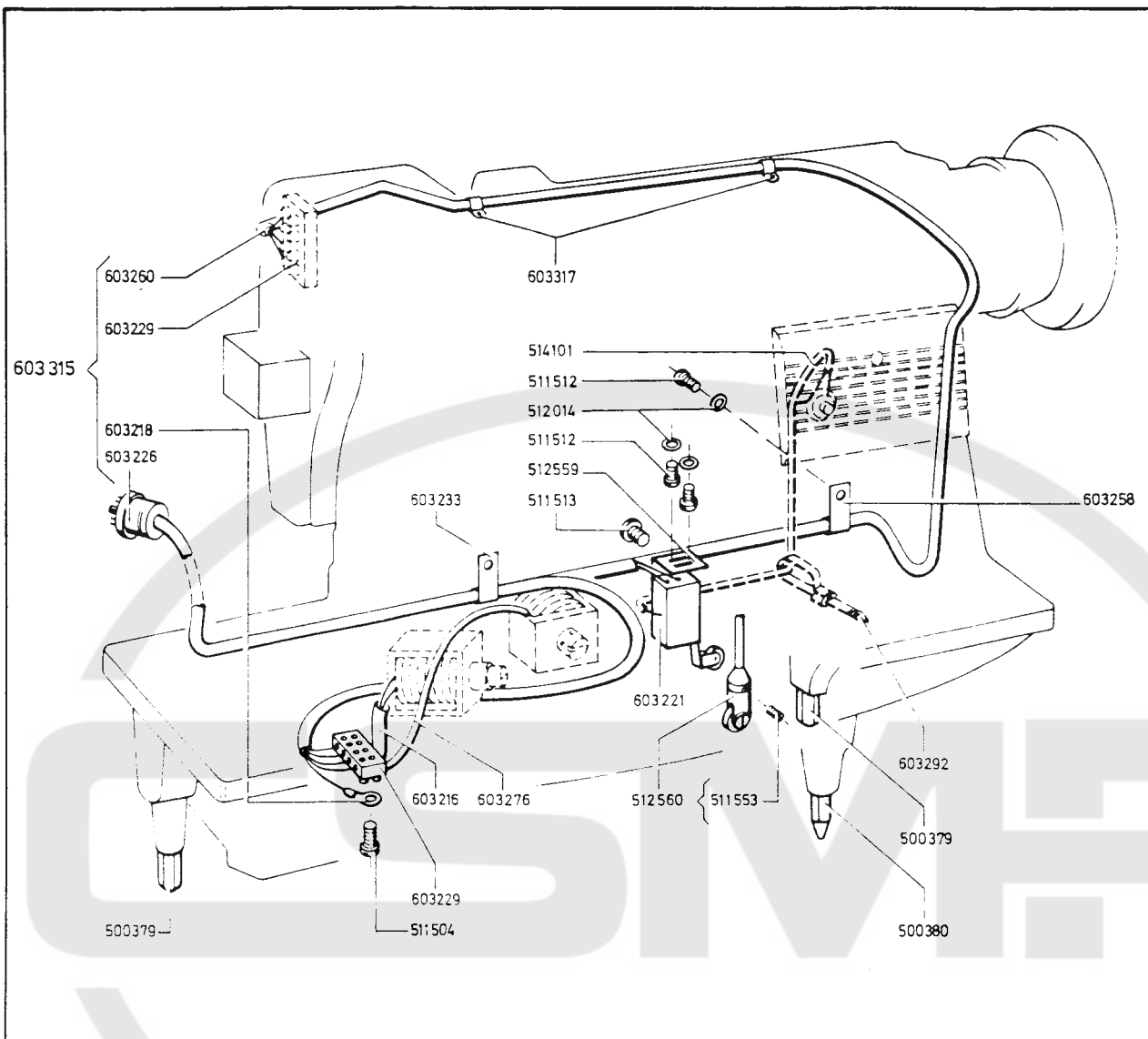
211 G 665/ 666-02

200143-850	THREAD LUBRICATOR OIL PAD HOLDER SCREW (2)
200582-850	THREAD LUBRICATOR PLATE SCREW (2)
240245	THREAD LUBRICATOR TUBE CLAMP
241765	THREAD LUBRICATOR OIL PAD (FELT)
244734	THREAD LUBRICATOR OIL PAD HOLDER CPL., NOS. 241765, 244744, 263554 AND TWO 200143
244744	THREAD LUBRICATOR PLATE
263554	THREAD LUBRICATOR OIL PAD HOLDER
267262	FEED DRIVING ROCK SHAFT BUSHING OIL TUBE WICK
267293	BED OIL TUBE CLAMP
267322	BED OIL SUPPLY TUBE OIL WICK
267411	FEED DRIVING ROCK SHAFT BUSHING OIL TUBE
500415-850	BED OIL CLAMP SCREW
500421-850	THREAD LUBRICATING RESERVOIR CLAMPING SPRING SCREW
508282	BED OIL TUBE CLAMP OILING FELT
508317	FEED DRIVING ROCK SHAFT BUSHING OIL TUBE WITH 267411
508319	FEED DRIVING ROCK SHAFT BUSHING OIL TUBE WITH 267262

508321	HOOK DRIVING SHAFT BEARING (LEFT) OIL TUBE WITH 508323
508323	HOOK DRIVING SHAFT BEARING (LEFT) OIL TUBE WICK
508324	HOOK SADDLE BEARING OIL TUBE WITH 508332
508330	BED OIL SUPPLY TUBE WITH 267322
508332	HOOK SADDLE BEARING OIL TUBE WICK
508333	FEED DRIVING ECCENTRIC CONNECTION OIL TUBE WITH 508335
508335	FEED DRIVING ECCENTRIC CONNECTION OIL TUBE WICK
511506-869	THREAD LUBRICATOR REGULATOR SPRING SCREW (2)
514068	THREAD LUBRICATING RESERVOIR
514071	THREAD LUBRICATING TUBE
514072	THREAD LUBRICATING REGULATOR
514073	THREAD LUBRICATING REGULATOR SPRING
514076	THREAD LUBRICATING RESERVOIR CLAMPING SPRING
514117	BED OIL TUBE CLAMP

PART NO. DESCRIPTION

PART NO. DESCRIPTION



21G 665/666-01-2100-(0571)

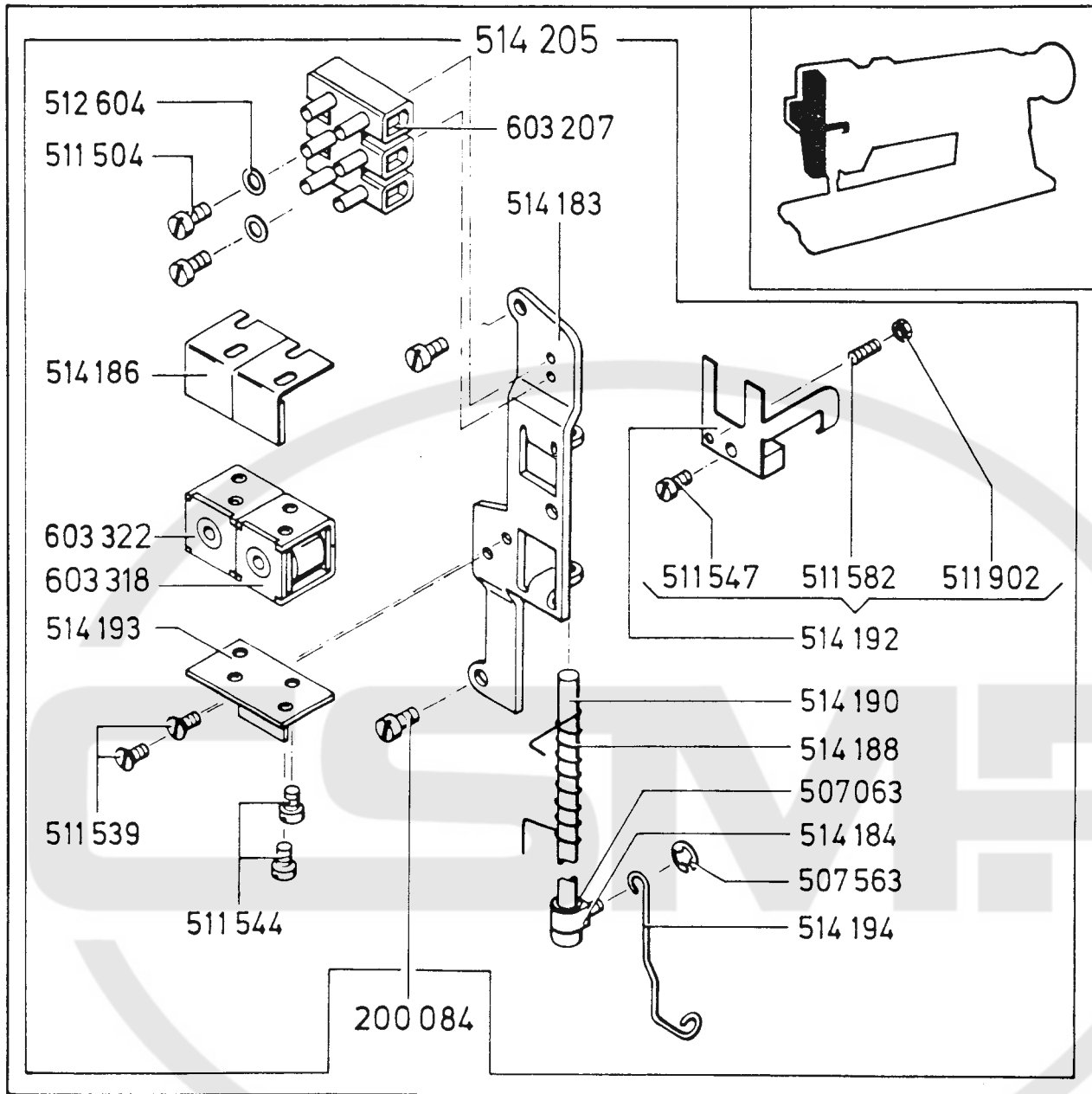
500379-850	STUD (2)
500380-850	STUD
511504-833	SCREW (2)
511512-869	SCREW (5)
511513-869	SCREW (2)
511553-850	SET SCREW
512014	WASHER (3)
512559	ANGLE BRACKET
512560	TRIP DOG CPL. WITH 511553
603216	INSULATING TUBING
603218	RING TONGUE

603221	MICRO SWITCH
603225	SPECIAL PLUG '9-POLE'
603229	TERMINAL
603233	CABLE BOND
603258	CABLE BOND (2)
603260	CABLE NOZZLE
603276	INSULATING TUBING
603315	CABLE HARNESS CPL., NOS. 603218, 603226, 603229 AND 603260
603317	CABLE BOND (2)

PART NO. DESCRIPTION

PART NO. DESCRIPTION

THREAD WIPER FOR UNDERBED THREAD TRIMMER



211 G 665/666-02-1910-(0571)

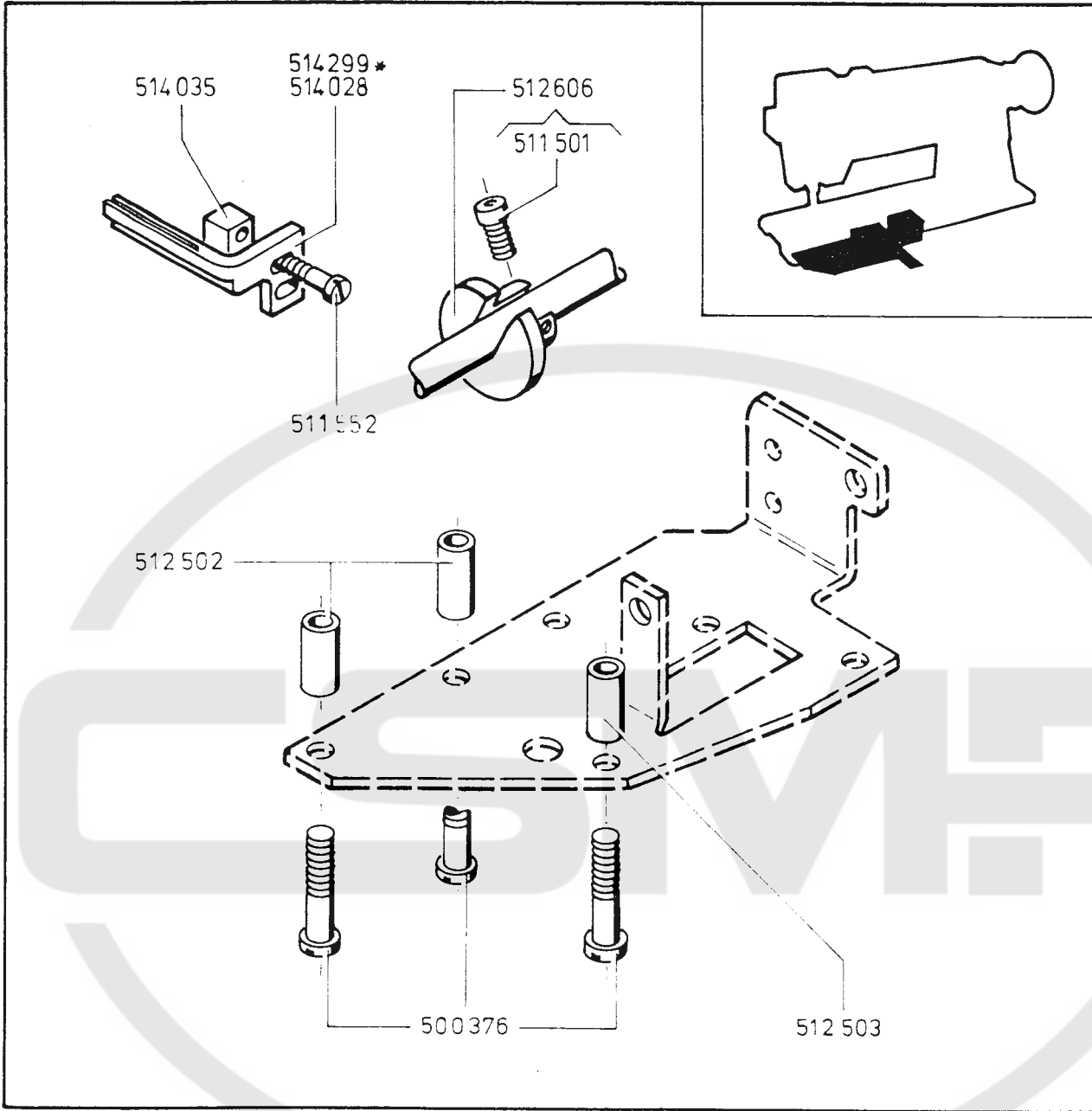
200084-850	SCREW (2)
507063	SAFETY WASHER
507563	RETAINING RING
511504-833	SCREW (2)
511547-869	SCREW
511539-850	SCREW (2)
511544-850	SCREW (8)
511582-833	PINCH SCREW
511902-850	NUT
512604	WASHER (2)
514183	BRACKET
514184	COLLAR
514186	ANGULAR BRACKET CPL. (2)
514188	SPRING

514190	SHAFT
514192	CLAMPING PIECE CPL., NOS. 511505, 511582 AND 511902
514193	SOLENOID BRACKET
514194	PULL ROD
514205	THREAD WIPER MECHANISM CPL., NOS. 507063, 507563, 511504, 511539, 511544, 512604, 514183, 514184, 514186, 514188, 514190, 514192, 514193, 514194, 603207, 603318 AND 603322
603207	TERMINAL
603318	SOLENOID
603321	SOLENOID

PART NO. DESCRIPTION

PART NO. DESCRIPTION

UNDERBED THREAD TRIMMER



211 G 665/666-01-1800-(0571)

211 G 665/666-02

* 211 G 765/766

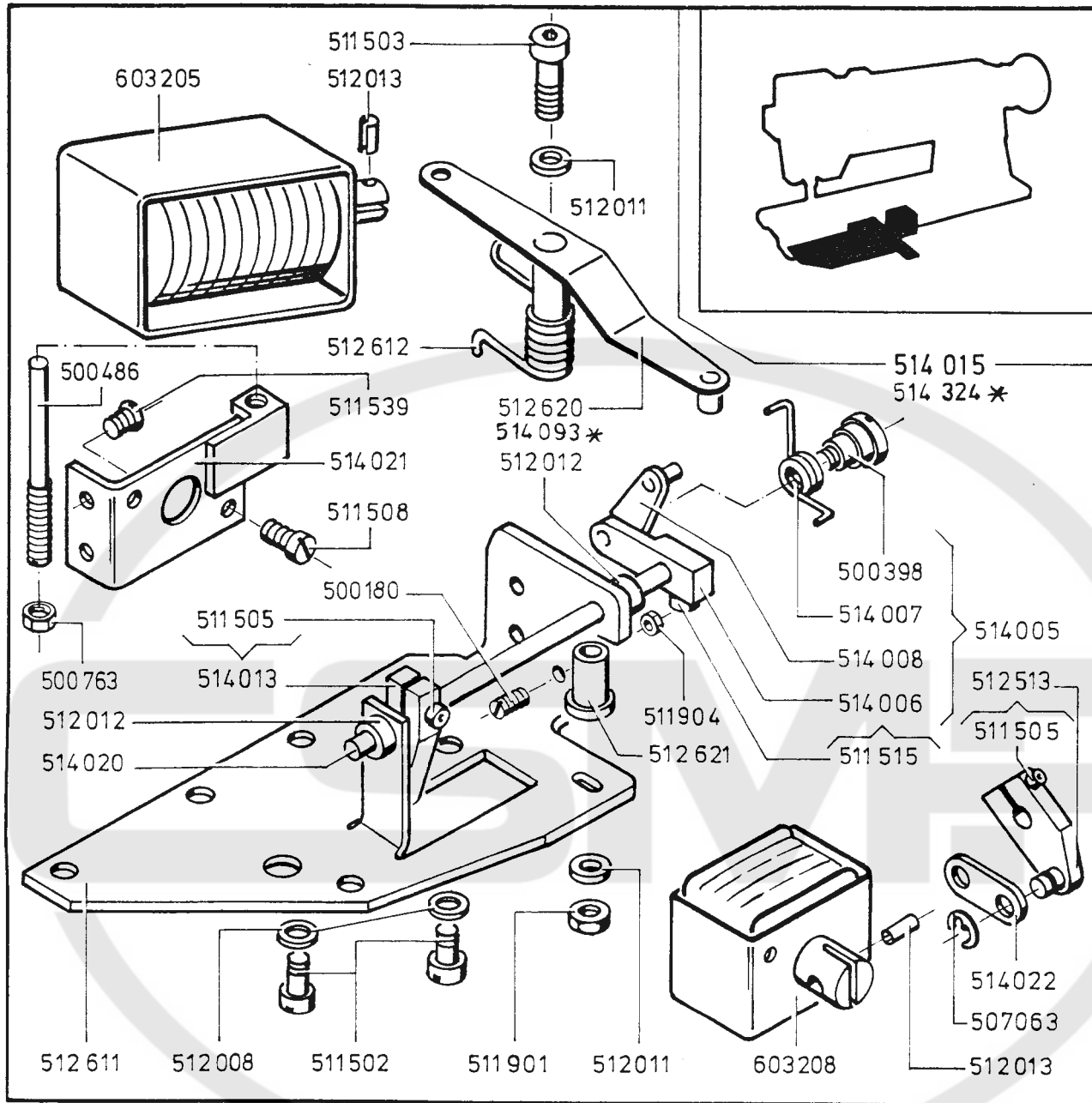
500376-850	THREAD PULLER ACTUATING LEVER DRIVING SOLENOID MOUNTING PLATE SCREW (3)
511501-869	THREAD TRIMMING KNIFE CONTROL CAM SET SCREW (2)
512502	THREAD PULLER ACTUATING LEVER DRIVING SOLENOID MOUNTING PLATE SPACER SLEEVE (2)
512503	THREAD PULLER ACTUATING LEVER DRIVING SOLENOID MOUNTING PLATE SPACER SLEEVE

511552-869	THREAD TRIMMING KNIFE GUIDE SECURING SCREW (2)
512606	THREAD TRIMMING KNIFE CONTROL CAM WITH TWO 511501
514028	THREAD TRIMMING KNIFE GUIDE
514035	THREAD TRIMMING KNIFE GUIDE SPACER BLOCK

PART NO. DESCRIPTION

PART NO. DESCRIPTION

UNDERBED THREAD TRIMMER



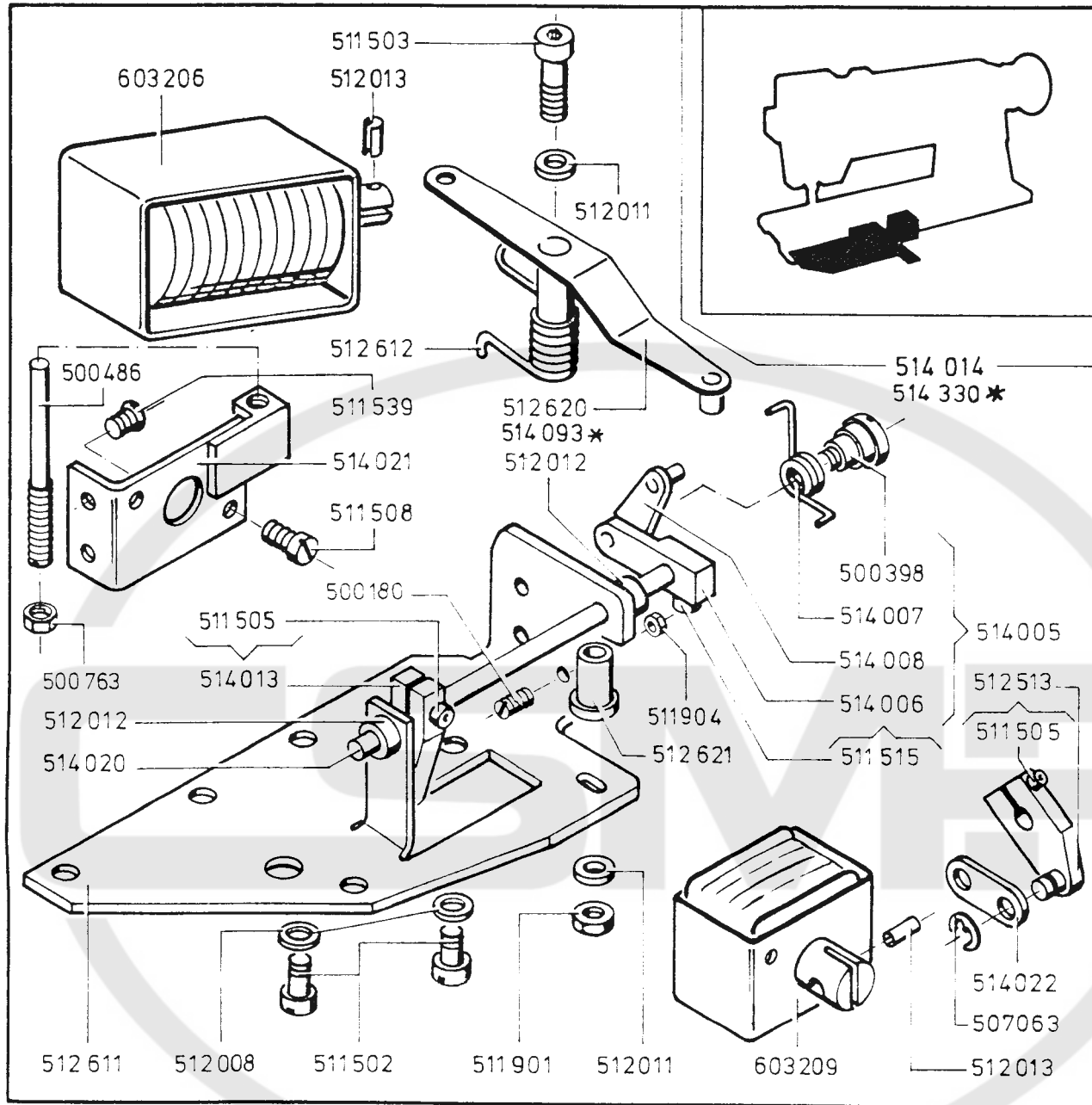
211 G 665/666 -02-1750-(0571)
 * 211 G 765/766

SEE PAGE 1760 FOR PROPER NOMENCLATURE OF PARTS

PART NO. DESCRIPTION

PART NO. DESCRIPTION

UNDERBED THREAD TRIMMER



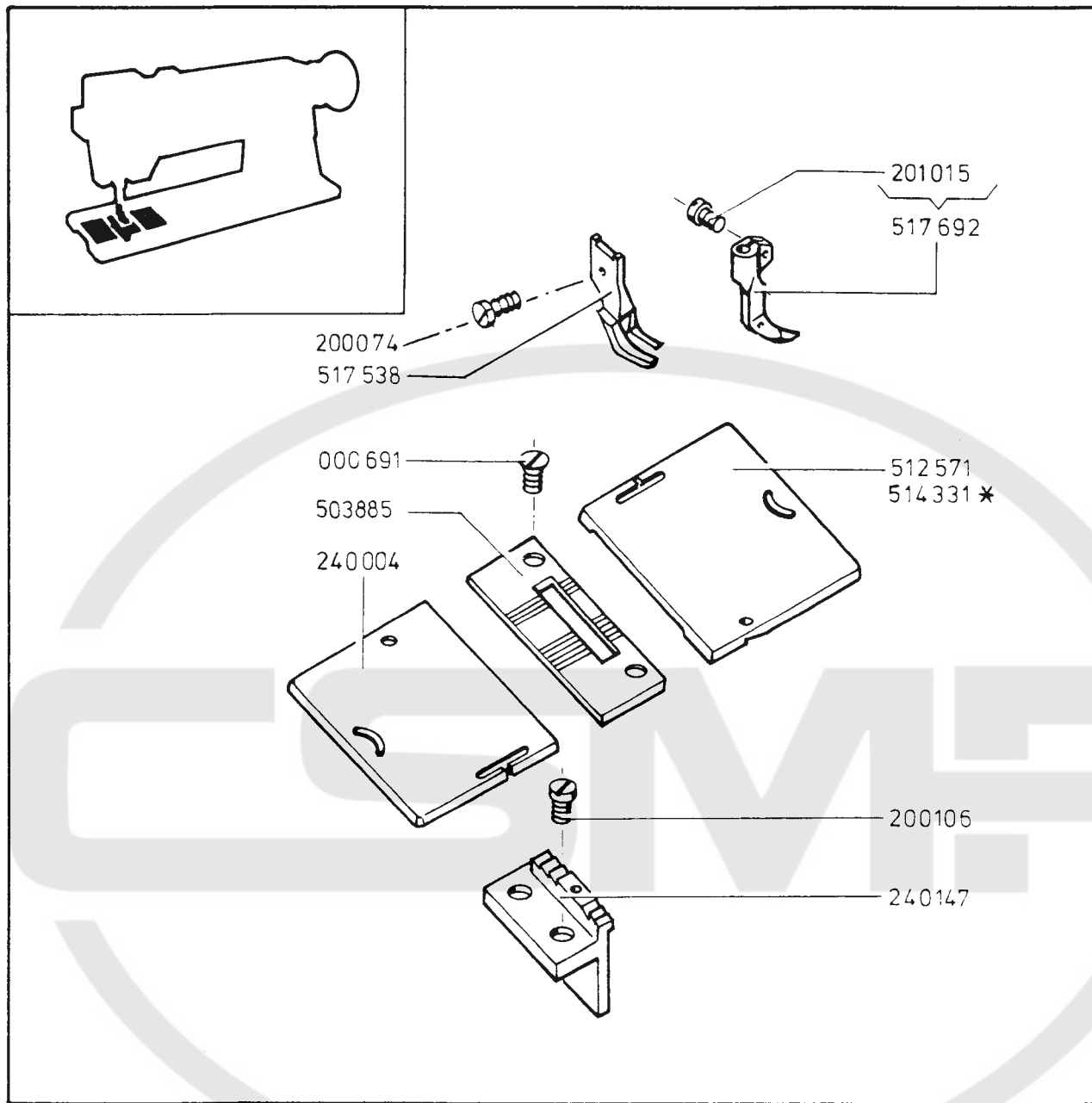
211 G 665/666 -01-1700-(0571)
 * 211 G 765/766

SEE PAGE 1710 FOR PROPER NOMENCLATURE OF PARTS

PART NO. DESCRIPTION

PART NO. DESCRIPTION

FITTINGS (STANDARD)



211 G 665/666-01-1400-(0571)

211 G 665/666-02

* 211 G 765/766

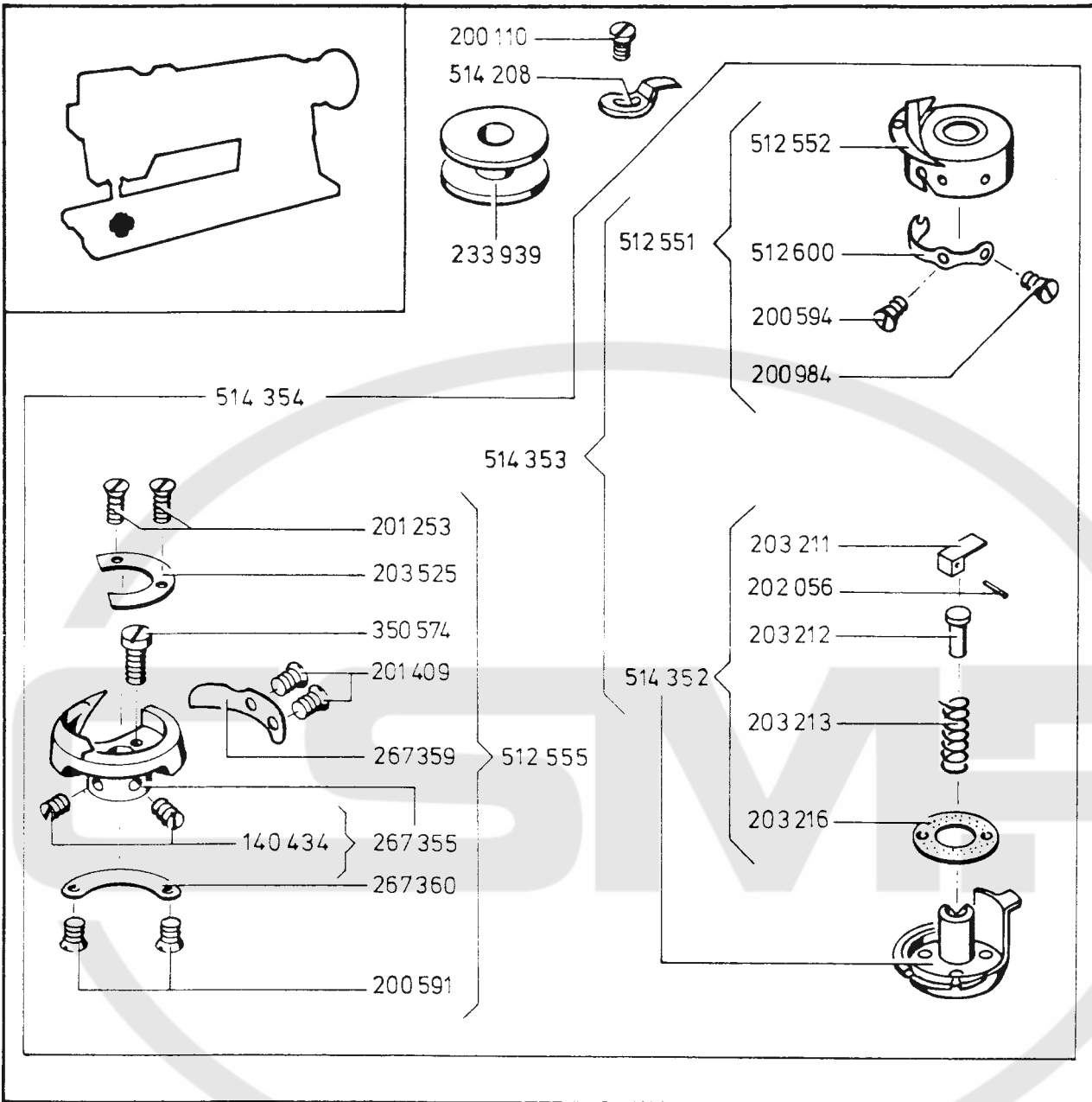
000691-833 THROAT PLATE SCREW (2)
 200106-833 FEED DOG SCREW (2)
 201015-850 VIBRATING PRESSER FOOT PINCH SCREW
 240004 BED SLIDE (FRONT)
 240147 FEED DOG
 503885 THROAT PLATE
 512571 BED SLIDE (BACK)
 517538 LIFTING PRESSER FOOT
 517692 VIBRATING PRESSER FOOT WITH 201015

200074-850 LIFTING PRESSER FOOT SCREW

PART NO. DESCRIPTION

PART NO. DESCRIPTION

HOOK AND HOOK DRIVE



211 G 665/666-01-1200-(0571)

211 G 665/666-02

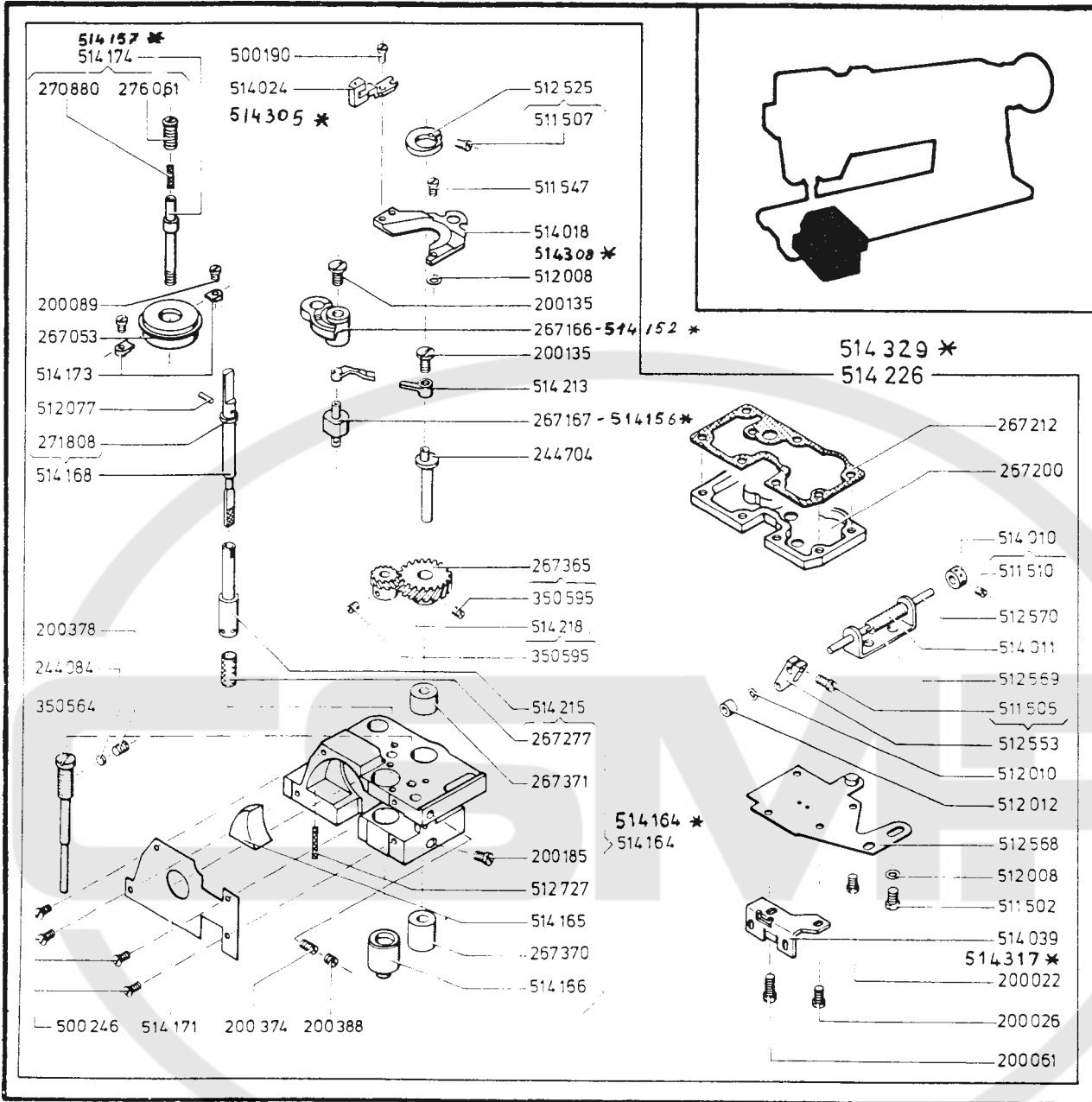
200 110-850 BOBBIN CASE OPENER SCREW
 140 434-869 HOOK SET SCREW (2)
 200 591-850 THREAD GUIDE SCREW (2)
 200 594-805 TENSION SPRING SCREW
 200 984-800 TENSION SPRING ADJUSTING SCREW
 201 253-803 HOOK GIB SCREW (2)
 201 409-850 HOOK NEEDLE GUARD SCREW (2)
 202 056 BOBBIN CASE LATCH PIN
 203 211 BOBBIN CASE BASE LATCH
 203 212 LATCH PLUNGER
 203 213 LATCH SPRING
 203 216 BOBBIN CASE WASHER (CLOTH)
 203 525 HOOK GIB
 233 939 BOBBIN (2)
 514 352 BOBBIN CASE BASE WITH 202 056,
 203 211, 203 212, 203 213 AND 203 216

267 355 HOOK BODY WITH TWO 140 434
 267 359 HOOK NEEDLE GUARD
 267 360 HOOK THREAD GLIDE
 350 574-806 HOOK HEIGHT ADJUSTING SCREW
 512 551 BOBBIN CASE WITH 200 594, 200 984,
 512 552 AND 512 600
 512 552 BOBBIN CASE
 512 555 HOOK CPL., NOS. 203 525, 267 355,
 267 359, 267 360, 350 574 TWO EACH,
 200 591, 201 253 AND 201 409
 512 600 BOBBIN CASE TENSION SPRING
 514 353 BOBBIN CASE CPL., NOS. 247 669
 AND 512 551
 514 354 HOOK AND BOBBIN CASE CPL., NOS.
 512 555 AND 514 208
 514 208 BOBBIN CASE OPENER

PART NO. DESCRIPTION

PART NO. DESCRIPTION

HOOK AND HOOK DRIVE



211 G 665/666-01-1100-(0571)

211 G 665/666-02

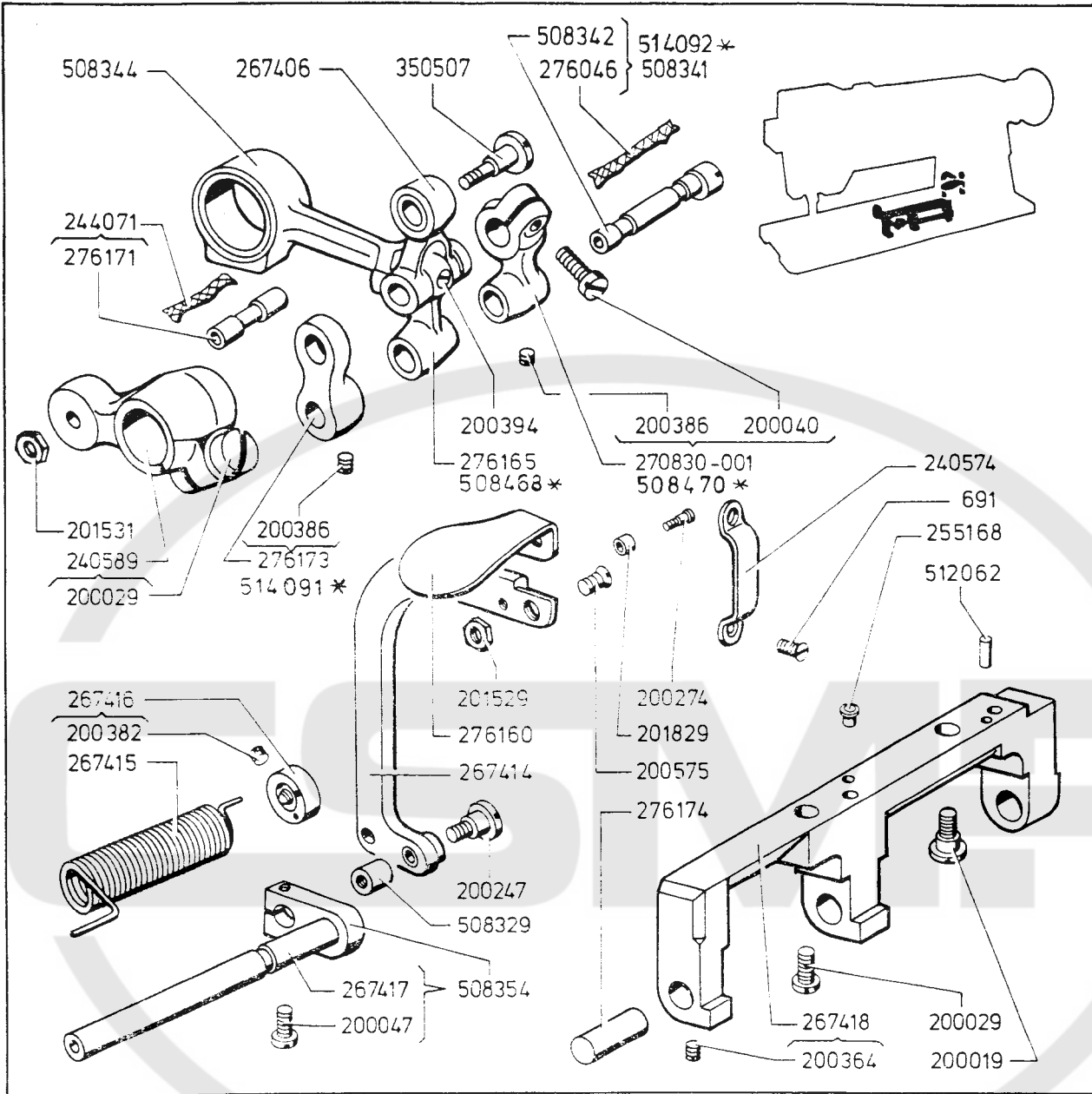
* 211 G 765/766

SEE PAGE 1110 FOR PROPER NOMENCLATURE OF PARTS

PART NO. DESCRIPTION

PART NO. DESCRIPTION

STITCH REGULATING MECHANISM (LOWER)

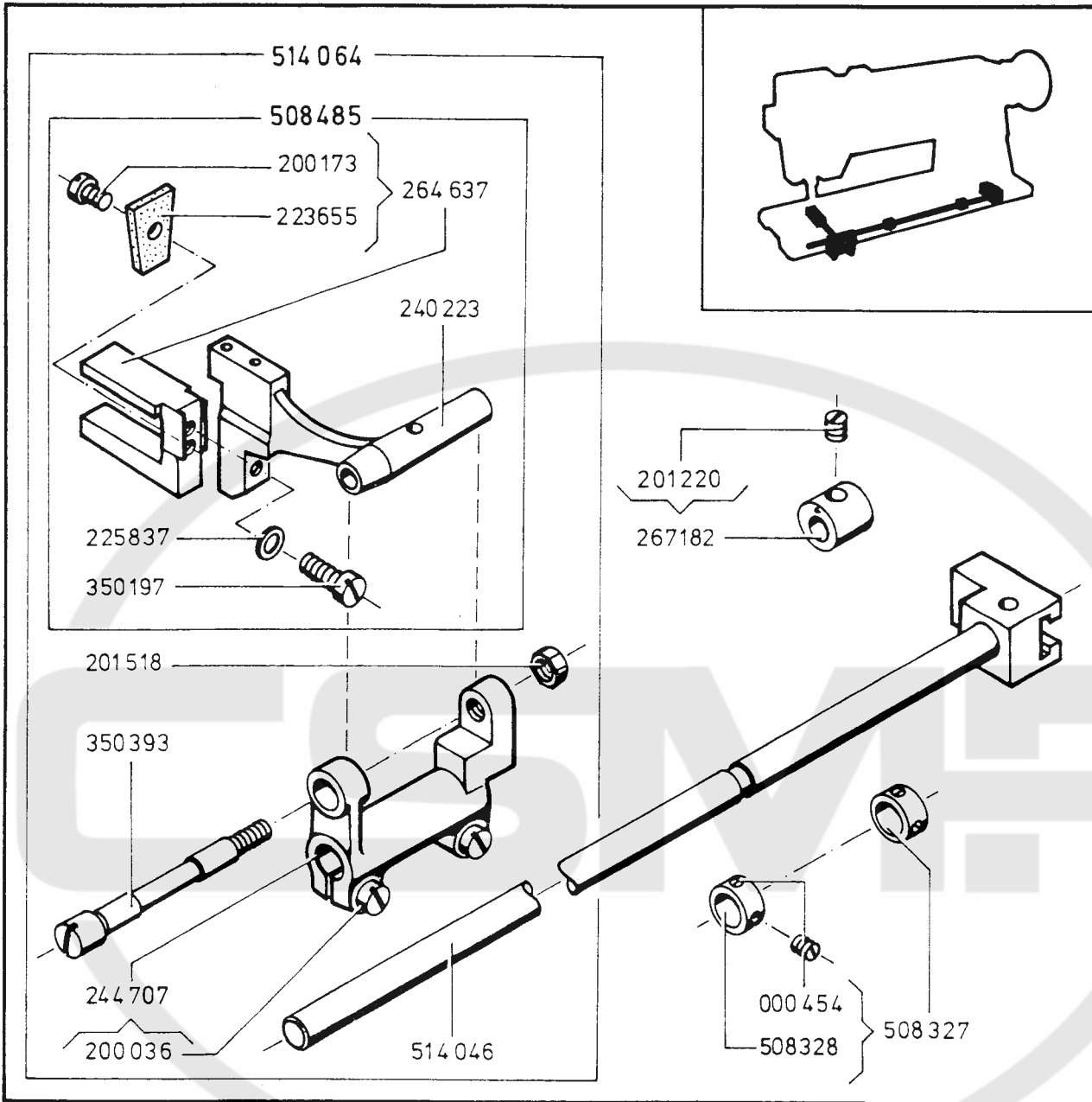


211 G 666-01-02-950-(0571)
 * 211 G 765
 766

691-833	FEED REVERSING LEVER GUIDE ROLLER POSITION PLATE SCREW (2)
200019-850	FEED REVERSING SHAFT BRACKET SCREW
200029-850	FEED REVERSING SHAFT BRACKET SCREW
200029-850	FEED DRIVING ROCK SHAFT CRANK PINCH SCREW
200040-833	FEED REVERSING SHAFT CRANK PINCH SCREW
200047-850	FEED REVERSING SHAFT DRIVING STUD PINCH SCREW
200247-950	FEED REVERSING LEVER PINCH SCREW
200274-750	FEED REVERSING LEVER GUIDE ROLLER SCREW STUD
200264-833	FEED REVERSING MECHANISM SUPPORT LINK STUD SET SCREW
200382-833	FEED REVERSING LEVER SPRING COLLAR SET SCREW (2)
200386-833	FEED REVERSING SHAFT CRANK HINGE STUD SET SCREW (2)
200294-803	FEED DRIVING ECCENTRIC CONNECTION LINK HINGE PIN SET SCREW
200575-830	FEED REVERSING LEVER HANDLE SCREW
201529-819	FEED REVERSING LEVER HANDLE SCREW NUT
201531-950	FEED DRIVING ROCK SHAFT CRANK HINGE SCREW NUT
201829	FEED REVERSING LEVER GUIDE ROLLER
240574	FEED REVERSING LEVER GUIDE ROLLER POSITION PLATE
240589	FEED DRIVING ROCK SHAFT WITH 200029
200029	FEED DRIVING ROCK SHAFT CRANK PINCH SCREW
200019	FEED REVERSING SHAFT BRACKET POSITION PINCH SCREW

255168	BED OIL CUP (2)
267406	FEED DRIVING ECCENTRIC CONNECTION
267414	FEED REVERSING LEVER
267415	FEED REVERSING LEVER SPRING
267416	FEED REVERSING LEVER SPRING COLLAR WITH TWO 200382
267417	FEED REVERSING SHAFT
267418	FEED REVERSING SHAFT BRACKET WITH 200364
270830-001	FEED REVERSING SHAFT CRANK WITH 200040 AND 200386
276046	FEED REVERSING SHAFT CRANK HINGE STUD OIL PACKING (TWICE)
276160	FEED REVERSING LEVER HANDLE
276165	FEED REVERSING SHAFT LINK WITH 200394
276171	FEED DRIVING ECCENTRIC CONNECTION LINK HINGE PIN PIN OILING PACKING WITH 244071
276173	FEED REVERSING MECHANISM SUPPORT LINK WITH 200386
276174	FEED REVERSING SHAFT CRANK HINGE STUD SET SCREW
350507-850	FEED DRIVING ROCK SHAFT CRANK HINGE STUD SCREW
508329	FEED REVERSING SHAFT DRIVING STUD
508341	FEED REVERSING SHAFT CRANK HINGE STUD WITH 276046 AND 508342
508342	FEED REVERSING SHAFT CRANK HINGE STUD
508344	FEED DRIVING ECCENTRIC CONNECTION
508354	FEED REVERSING SHAFT WITH 267417 AND 200047
512062	FEED REVERSING SHAFT BRACKET POSITION PINCH SCREW

FEEDING MECHANISM (LOWER)



211 G 665/666-01-800-(0571)

211 G 665/666-02

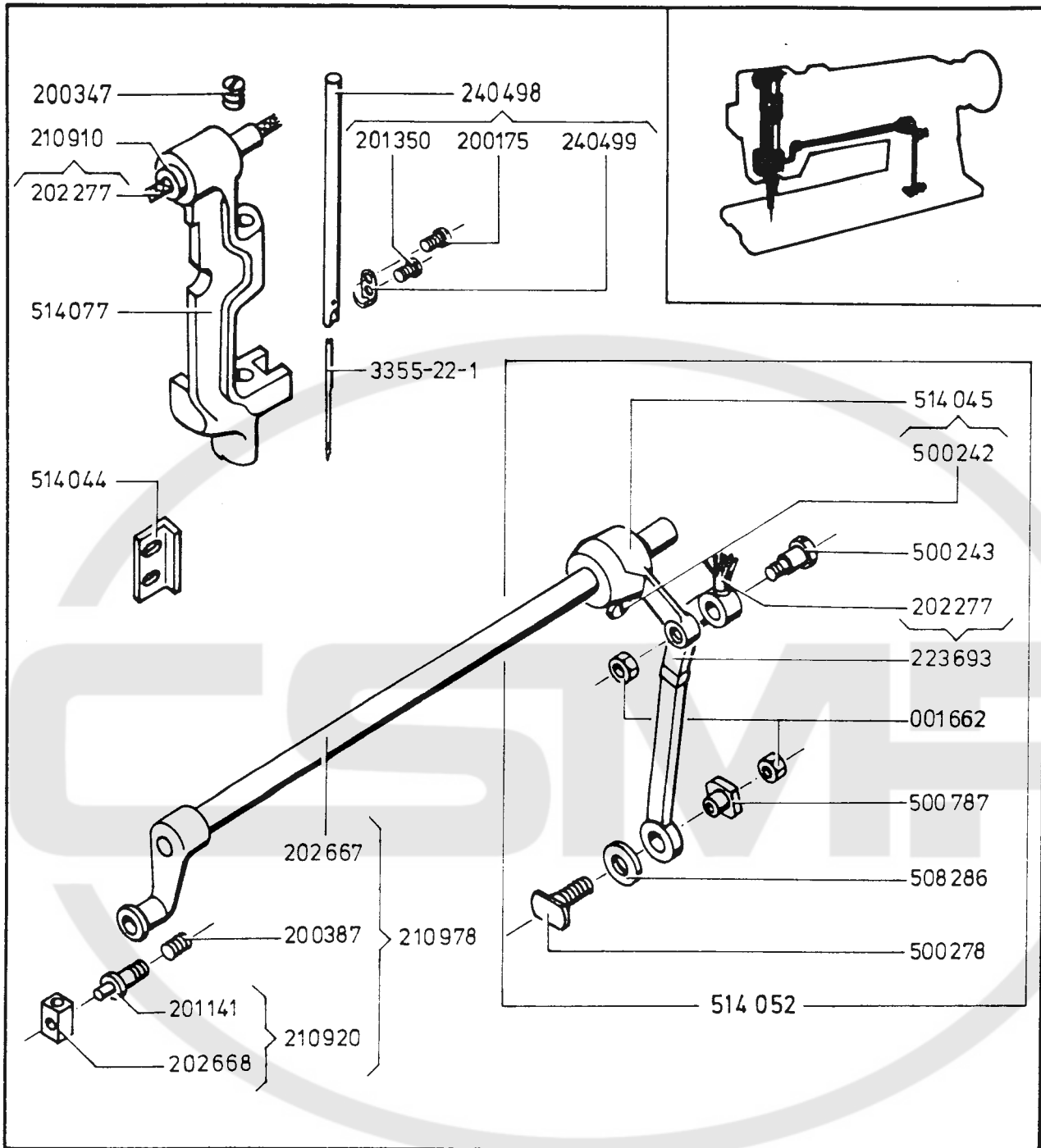
000454-833	FEED DRIVING ROCK SHAFT STOP COLLAR SET SCREW (4)
200036-850	FEED DRIVING ROCK FRAME PINCH SCREW (2)
200173-850	FEED LIFTING ECCENTRIC OILING FELT SCREW
201220-833	FEED LIFTING ECCENTRIC SET SCREW
201518-805	FEED BAR HINGE SCREW NUT
223655	FEED LIFTING ECCENTRIC OILING FELT
225837	FEED LIFTING ECCENTRIC FORK SCREW WASHER
240223	FEED BAR
244707	FEED DRIVING ROCK FRAME WITH TWO 200036
264637	FEED LIFTING ECCENTRIC FORK WITH 200173 AND 223655

267182	FEED LIFTING ECCENTRIC WITH 201220
350197-850	FEED LIFTING ECCENTRIC FORK SCREW
350393-850	FEED BAR HINGE SCREW
508327	FEED DRIVING ROCK SHAFT STOP COLLAR (2) CPL., NOS. 508328 AND TWO EACH 000454-833
508328	FEED DRIVING ROCK SHAFT STOP COLLAR
508485	FEED BAR CPL., NOS. 225837, 240223, 264637 AND 350197
514046	FEED DRIVING ROCK SHAFT
514064	FEED DRIVING ROCK SHAFT CPL., NOS. 201518, 244707, 350093, 508485 AND 514046

PART NO. DESCRIPTION

PART NO. DESCRIPTION

NEEDLE FEED MECHANISM



211 G 665/666-01-600-(0571)

211 G 665/666-02

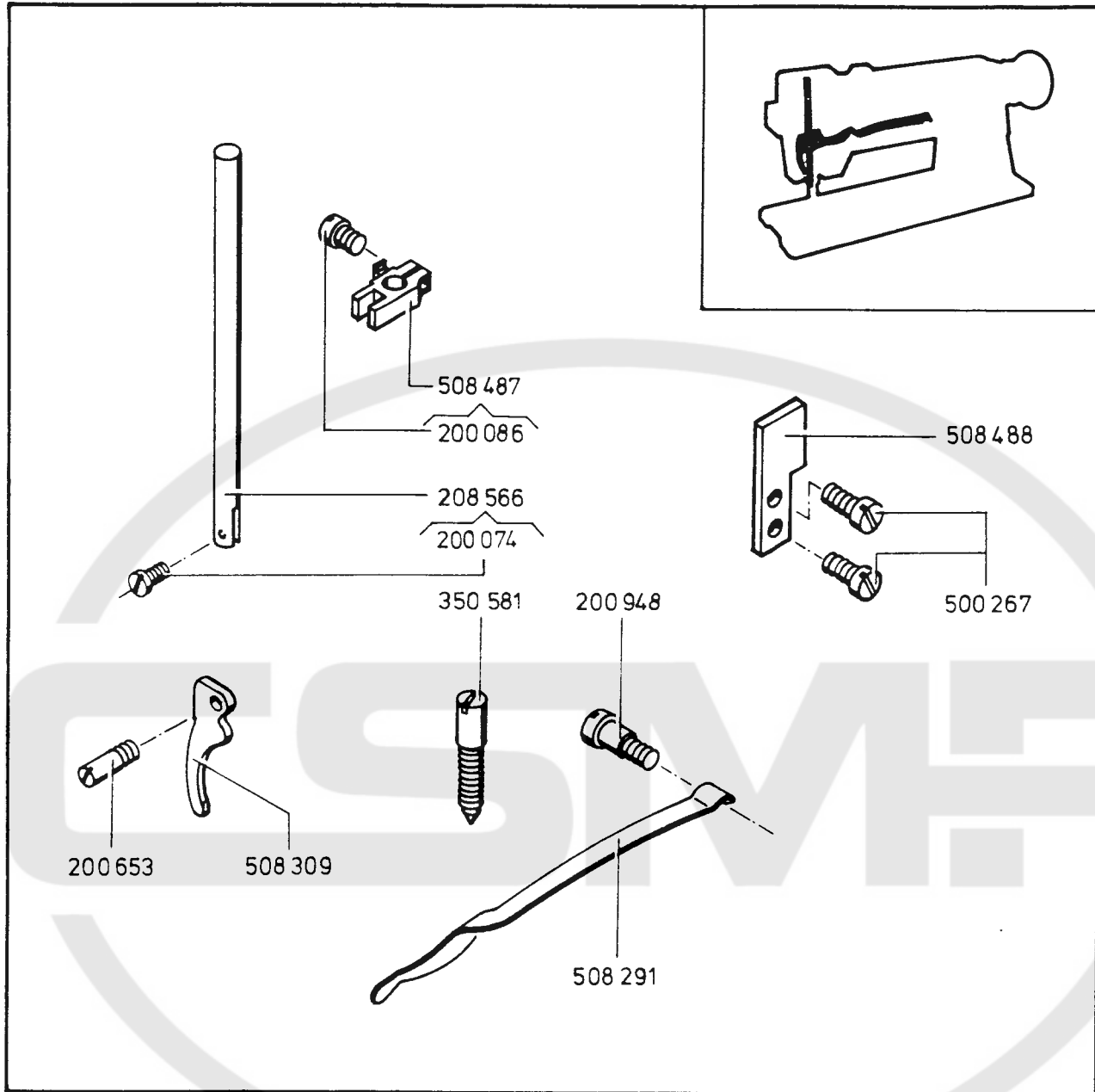
001662-805	NEEDLE BAR ROCK SHAFT CRANK SLIDE SCREW LOCK NUT AND CONNECTION HINGE SCREW NUT (2)
003355-22-1	NEEDLE
200175-850	NEEDLE BAR THREAD GUIDE SCREW
200347-833	TAKE-UP LEVER HINGE STUD SET SCREW
200387-805	NEEDLE BAR ROCK FRAME ROCK SHAFT SLIDE BLOCK STUD SET SCREW
201141-805	NEEDLE BAR ROCK FRAME ROCK SHAFT SLIDE BLOCK STUD
201350-831	NEEDLE SET SCREW
202277	TAKE-UP LEVER HINGE STUD OIL WICK
202277	NEEDLE BAR ROCK FRAME ROCK SHAFT CRANK CONNECTION OIL WICK
202667	NEEDLE BAR ROCK FRAME ROCK SHAFT
202668	NEEDLE BAR ROCK FRAME ROCK SHAFT SLIDE BLOCK
210910	TAKE-UP LEVER HINGE STUD WITH 202277
210920	NEEDLE BAR ROCK FRAME ROCK SHAFT SLIDE BLOCK CPL., NOS. 201141 AND 202668
210978	NEEDLE BAR ROCK FRAME ROCK SHAFT CPL., NOS. 200387, 202667 AND 210920

223693	NEEDLE BAR ROCK FRAME ROCK SHAFT CRANK CONNECTION WITH 202277
240498	NEEDLE BAR WITH 200175, 201350 AND 508456
240499	NEEDLE BAR THREAD GUIDE
500242-850	NEEDLE BAR ROCK SHAFT CONNECTION LINK CRANK PINCH SCREW
500243-805	NEEDLE BAR ROCK SHAFT CONNECTION HINGE SCREW
500278-805	NEEDLE BAR ROCK SHAFT CRANK SLIDE SCREW
500787-803	NEEDLE BAR ROCK SHAFT CRANK SLIDE SCREW NUT
508286	NEEDLE BAR ROCK SHAFT CRANK SLIDE SCREW SPACER
508468	PRESSER BAR GUIDE
514045	NEEDLE BAR ROCK SHAFT CONNECTION LINK CRANK WITH 500242
514052	NEEDLE BAR ROCK SHAFT CONNECTION LINK CRANK CPL., NOS. 223693, 500243, 500278, 500787, 508286, 514045 AND TWO 1662
514077	NEEDLE BAR ROCK FRAME

PART NO. DESCRIPTION

PART NO. DESCRIPTION

PRESSER BAR MECHANISM



211 G 665/666-01-400-(0571)
211 G 665/666-02

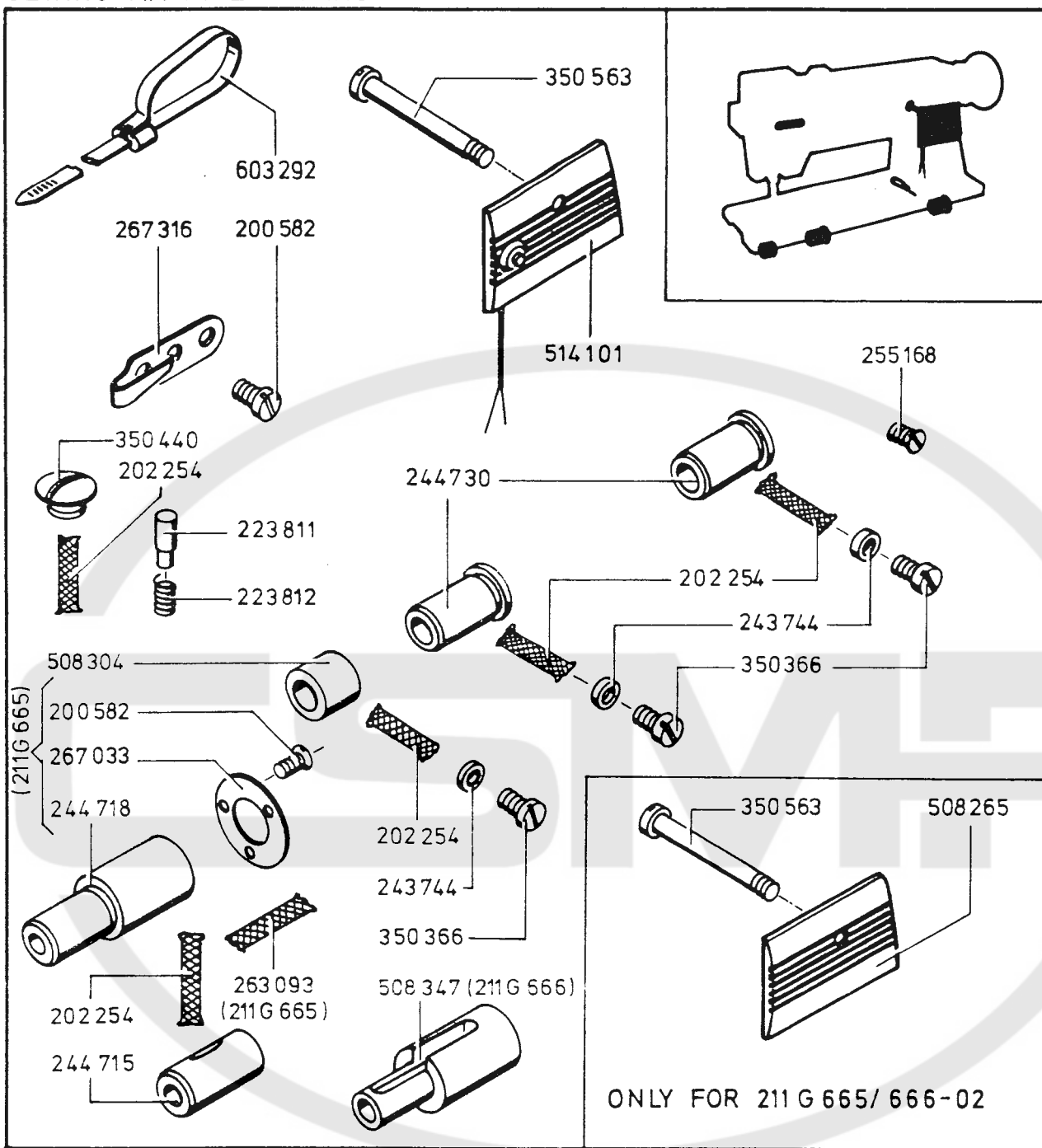
200074-850 LIFTING PRESSER FOOT SCREW
200086-833 PRESSER BAR SPRING BRACKET PINCH SCREW
200653-805 PRESSER BAR LIFTER HINGE SCREW
200948-850 PRESSER BAR SPRING SUPPORT SCREW
208566 PRESSER BAR WITH 200074
350581-850 PRESSER BAR SPRING REGULATING SCREW

500267-850 PRESSER BAR GUIDE SCREW (2)
508291 PRESSER BAR SPRING (FLAT)
508309 PRESSER BAR LIFTER
508487 PRESSER BAR SPRING BRACKET WITH 200086
508488 PRESSER BAR GUIDE

PART NO. DESCRIPTION

PART NO. DESCRIPTION

SEWING MACHINE CASTING



211 G 665/666-01-200-(0571)

211 G 665/666-02

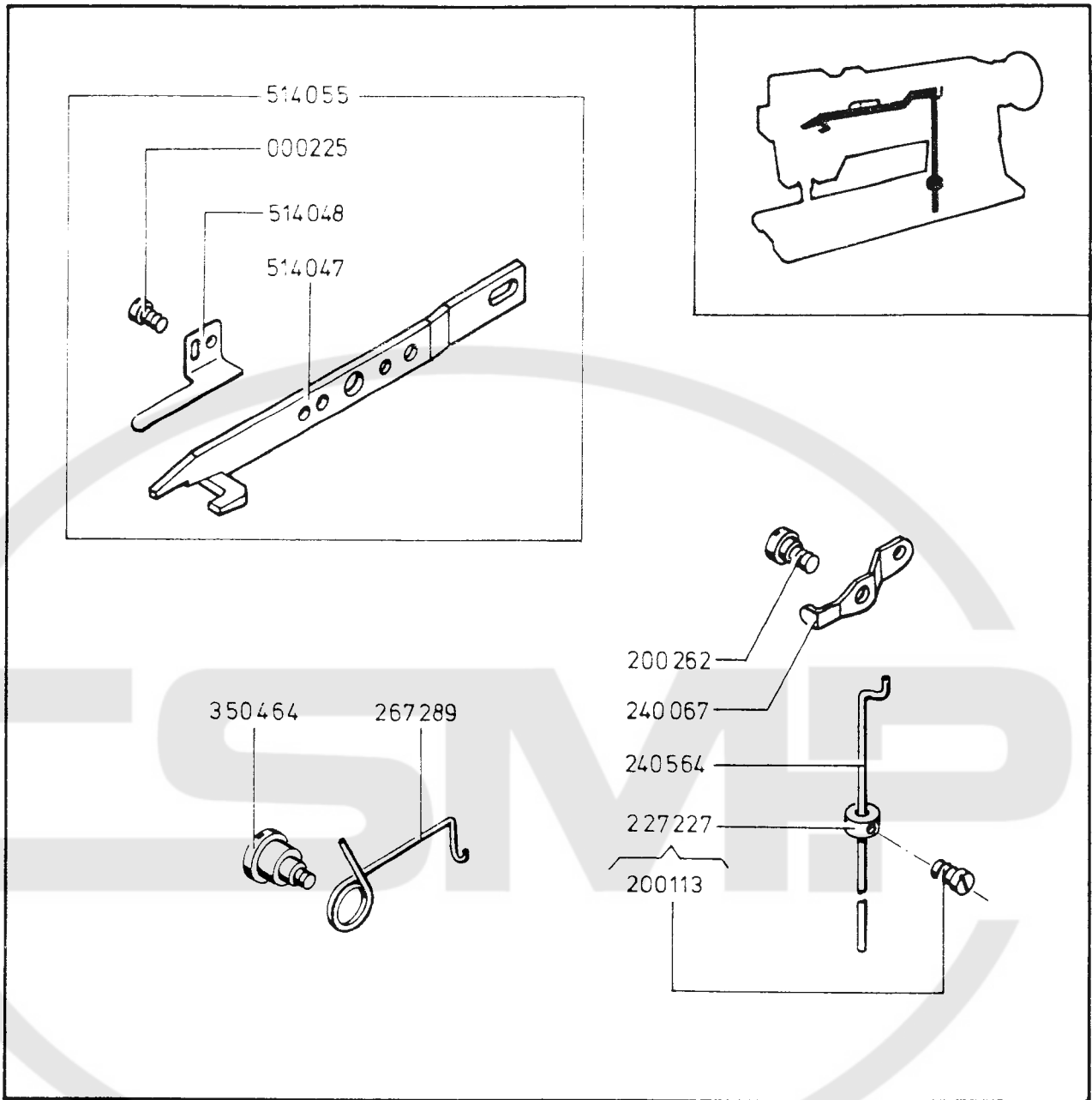
200582-350 FEED DRIVING ECCENTRIC CONNECTION FRICTION WASHER SCREW (6)
 202254 BED OIL WICK (5)
 223811 BED SLIDE (BACK) STOP
 223812 BED SLIDE (BACK) STOP SPRING
 243744 BED OIL STOP GASKET (3)
 244715 HOOK DRIVING SHAFT BUSHING (LEFT)
 244718 HOOK SADDLE BEARING (RIGHT)
 244730 FEED DRIVING ROCK SHAFT BUSHING (CENTER AND BACK) (2)
 255168 BED OIL CUP (2)
 263093 BED OIL WICK

267033 FEED DRIVING ECCENTRIC CONNECTION FRICTION WASHER
 267316 THREAD GUIDE
 350366-819 BED OIL STOP SCREW (3)
 350440-819 BED OIL SCREW
 350363-809 ARM COVER (SIDE) SCREW (2)
 508265 ARM COVER (SIDE)
 508304 FEED DRIVING ROCK SHAFT BUSHING (FRONT)
 508347 HOOK SADDLE BEARING (RIGHT)
 514101 ARM COVER (SIDE)
 603292 STRIPPING CLAMP

PART NO. DESCRIPTION

PART NO. DESCRIPTION

KNEE LIFTING DEVICE



211 G 665/666-01-1500-(0571)
211 G 665/666-02

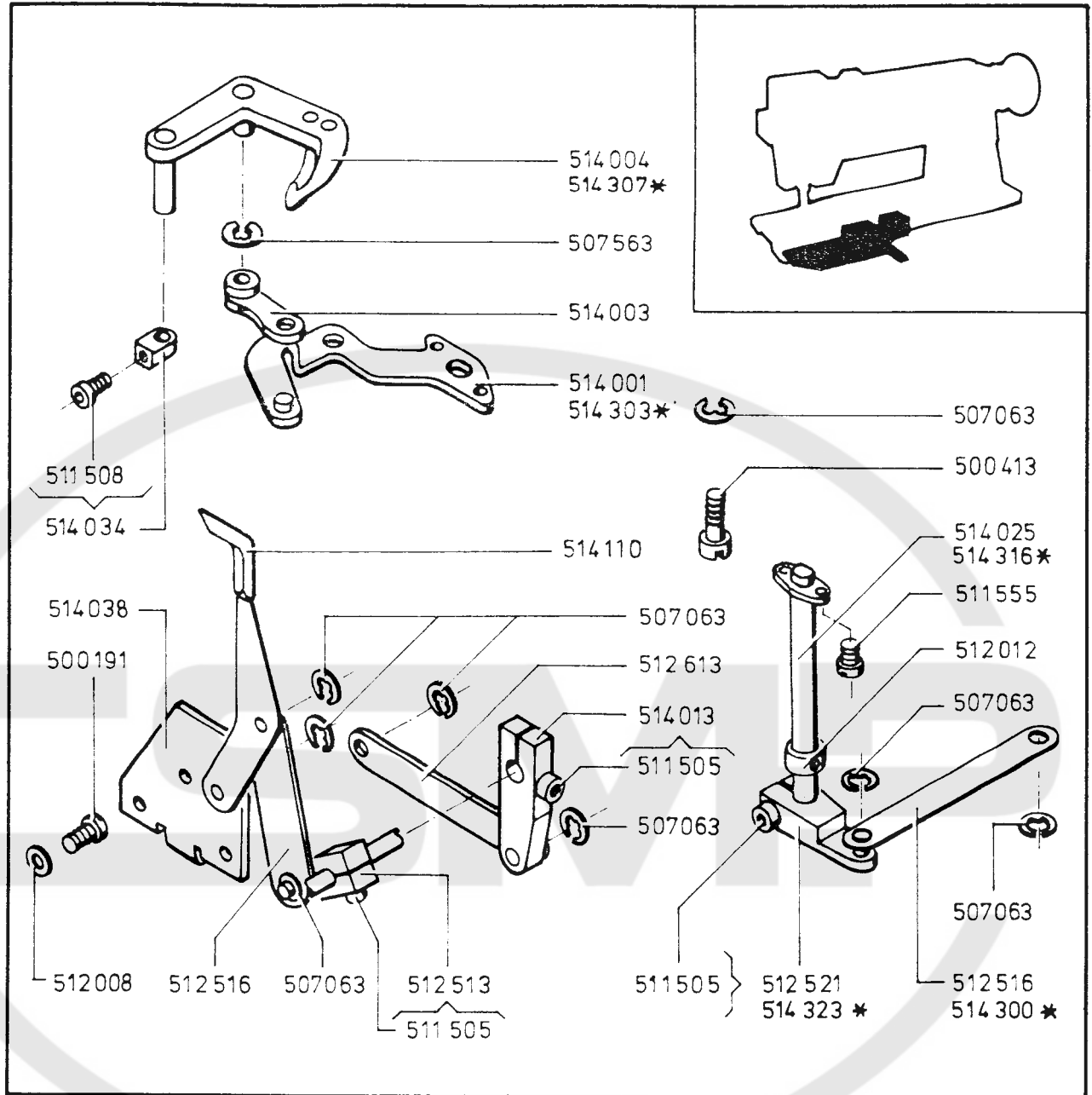
000225-850 KNEE LIFTER LIFTING LEVER SCREW
200113-850 KNEE LIFTER CONNECTION LEVER
LIFTING ROD STOP COLLAR SET SCREW
200262-850 KNEE LIFTER CONNECTION LEVER
HINGE SCREW
227227 KNEE LIFTER CONNECTION LEVER
LIFTING ROD STOP
240067 KNEE LIFTER CONNECTION LEVER
240564 KNEE LIFTER CONNECTION LEVER
LIFTING ROD

267289 KNEE LIFTER LIFTING LEVER RETURN
SPRING
350464-819 KNEE LIFTER LIFTING LEVER HINGE
SCREW
514047 KNEE LIFTER LIFTING LEVER
514048 TENSION RELEASE ACTUATING SPRING
514055 KNEE LIFTER LIFTING LEVER CPL., NOS.
225, 514047 AND 514048

PART NO. DESCRIPTION

PART NO. DESCRIPTION

UNDERBED THREAD TRIMMER



* 211 G 765/766 211 G 665/666-01-1600-(0571)
211 G 665/666-02

500191-850 THREAD TRIMMING KNIFE RETAINING
PLATE SCREW 1/2
500413-850 THREAD TRIMMING KNIFE HEIGHT
ADJUSTING SCREW
507063 RETAINING RING 1/8
507563 THREAD PULLER DRIVING LINK RETAINING
RING
511505-869 THREAD TRIMMING KNIFE DRIVING SHAFT
STOP CRANK PINCH SCREW
511505-869 THREAD TRIMMING KNIFE DRIVING CRANK
PINCH SCREW
511505-869 THREAD PULLER ACTUATING CRANK PINCH
SCREW (RIGHT AND LEFT)
511508-869 THREAD PULLER ADJUSTING COLLAR SET
SCREW
511555-850 THREAD PULLER DRIVING CAM FOLLOWER
SECURING SCREW 1/2
512008 THREAD TRIMMING KNIFE RETAINING
PLATE SECURING SCREW WASHER 1/2
512012 THREAD TRIMMING KNIFE DRIVING SHAFT
COLLAR

512513 THREAD TRIMMING KNIFE DRIVING
CRANK WITH 511505
512516 THREAD PULLER ACTUATING LINK
512516 THREAD TRIMMING KNIFE DRIVING LINK
512521 THREAD PULLER DRIVING CRANK WITH
511505
512613 THREAD TRIMMING KNIFE SOLENOID
CONNECTION LINK
514001 THREAD PULLER DRIVING CONNECTOR
514003 THREAD PULLER DRIVING LINK
514004 THREAD PULLER
514013 THREAD TRIMMING KNIFE DRIVING
CRANK WITH 511505
514025 THREAD PULLER DRIVING CAM FOLLOWER
SHAFT
514034 THREAD PULLER ADJUSTING COLLAR WITH
511508
514038 THREAD TRIMMING KNIFE RETAINING
PLATE
514110 THREAD TRIMMING KNIFE CPL.

PART NO. DESCRIPTION

PART NO. DESCRIPTION

UNDERBED THREAD TRIMMER

211 G 665/666-01-1710-(0571)

500180-850	THREAD TRIMMING KNIFE CONTROL CAM
500398-850	THREAD TRIMMING KNIFE CONTROL CAM FOLLOWER HINGE SCREW
500486-819	SET SCREW
500763-805	LOCK NUT (HEX)
507063	THREAD TRIMMING KNIFE ACTUATING SOLENOID CONNECTING LINK RETAINING RING (3)
511502-869	THREAD PULLER ACTUATING LEVER DRIVING SOLENOID SECURING SCREW (2)
511503-869	THREAD PULLER ACTUATING LEVER HINGE SCREW
511505-869	THREAD TRIMMING KNIFE DRIVING CRANK PINCH SCREW
511505-869	THREAD TRIMMING KNIFE ACTUATING SOLENOID CONNECTING PINCH SCREW
511508-869	THREAD TRIMMING KNIFE ACTUATING SOLENOID MOUNTING SCREW (2)
511515-869	THREAD TRIMMING KNIFE CONTROL CAM FOLLOWER CRANK PINCH SCREW
511539-850	THREAD TRIMMING KNIFE ACTUATING SOLENOID BRACKET MOUNTING SCREW (2)
511901-833	THREAD PULLER ACTUATING LEVER HINGE SCREW NUT
511904-850	SCREW NUT
512008	THREAD PULLER ACTUATING LEVER DRIVING SOLENOID SECURING SCREW WASHER (2)
512011	THREAD PULLER ACTUATING LEVER HINGE SCREW WASHER (2)
512012	THREAD TRIMMING KNIFE CONTROL SHAFT (2)
512013	THREAD TRIMMING KNIFE ACTUATING SOLENOID CONNECTING ROLL PIN (2)
512513	THREAD TRIMMING KNIFE ACTUATING SOLENOID CONNECTING CRANK (2) WITH 511505
512611	THREAD TRIMMING KNIFE CONTROL CAM FOLLOWER RETAINER PAWL
512612	THREAD PULLER ACTUATING LEVER TORSION SPRING
512620	THREAD PULLER ACTUATING LEVER
512621	THREAD PULLER ACTUATING LEVER BUSHING
514005	THREAD TRIMMING KNIFE CONTROL CAM FOLLOWER CRANK CPL., NOS. 500398, 514006, 514007 AND 514008
514006	THREAD TRIMMING KNIFE CONTROL CAM FOLLOWER CRANK WITH 511515
514007	THREAD TRIMMING KNIFE CONTROL CAM FOLLOWER TORSION SPRING
514008	THREAD TRIMMING KNIFE CONTROL CAM FOLLOWER
514013	THREAD TRIMMING KNIFE ACTUATING SOLENOID CONNECTING CRANK (2) WITH 511505
514014	THREAD PULLER ACTUATING LEVER DRIVING SOLENOID MOUNTING PLATE CPL., NOS. 500180, 500486, 500763, 507063, 511503, 511901, 511904, 512611, 512612, 512620, 512621, 514005, 514013, 514020, 514021, 514022, 603206, 603209, TWO EACH 511502, 511508, 511539, 512008, 512011, 512012, 512013, 512513 AND THREE 507063
514020	THREAD TRIMMING KNIFE CONTROL SHAFT
514021	THREAD TRIMMING KNIFE ACTUATING SOLENOID BRACKET CPL.
514022	THREAD TRIMMING KNIFE ACTUATING SOLENOID CONNECTING LINK
603206	THREAD PULLER ACTUATING LEVER DRIVING SOLENOID
603209	THREAD TRIMMING KNIFE ACTUATING SOLENOID

PART NO. DESCRIPTION

PART NO. DESCRIPTION

UNDERBED THREAD TRIMMER

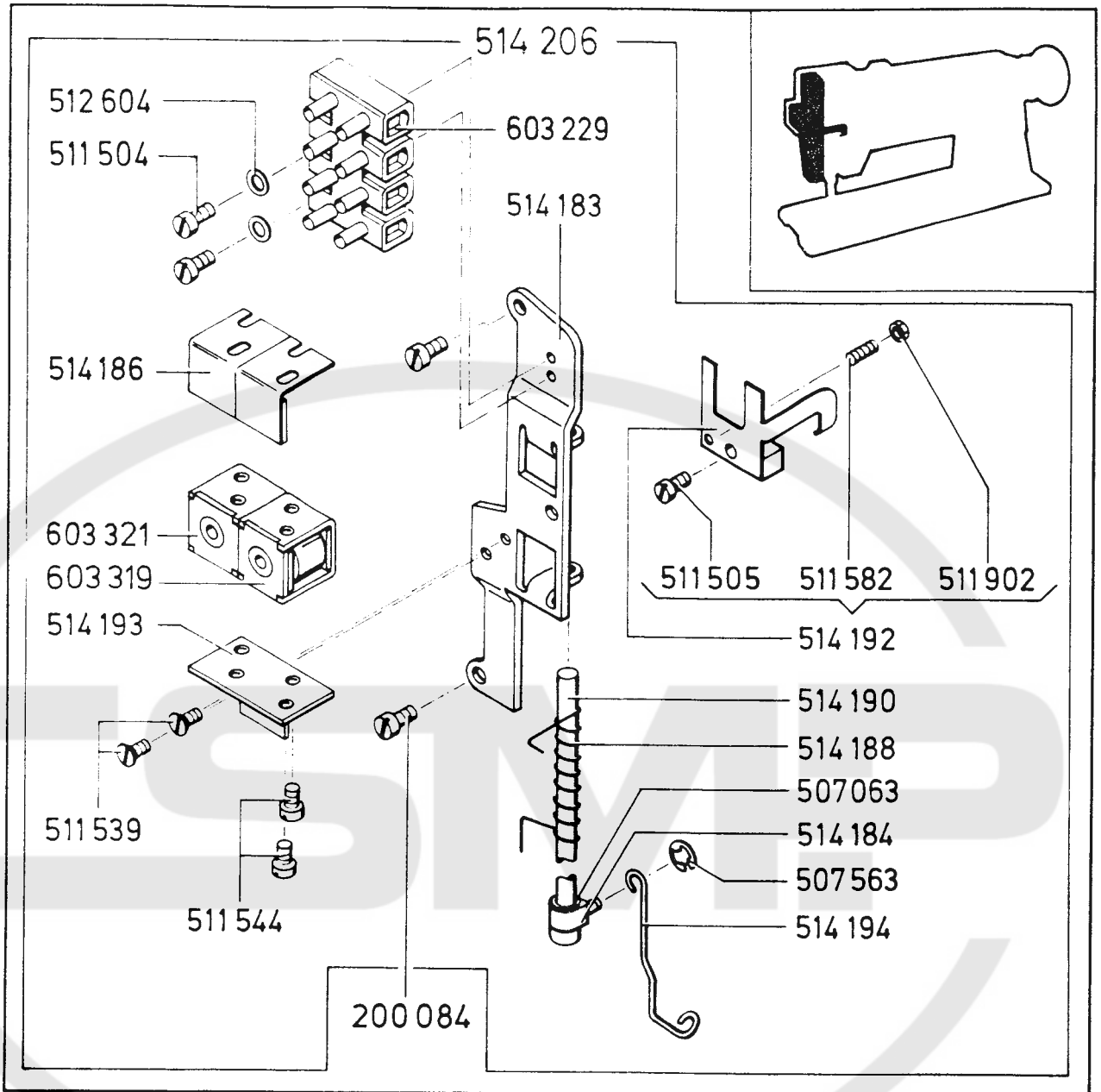
211 G 665/666-02-1760 -(0571)

500180-850 PINCH SCREW
 500398-850 THREAD TRIMMING KNIFE CONTROL CAM FOLLOWER HINGE SCREW
 500486-819 SET SCREW
 500763-805 LOCK NUT (HEX)
 507063 THREAD TRIMMING KNIFE ACTUATING SOLENOID CONNECTING LINK RETAINING RING (3)
 511502-869 THREAD PULLER ACTUATING LEVER DRIVING SOLENOID SECURING SCREW (2)
 511503-869 THREAD PULLER ACTUATING LEVER HINGE SCREW
 511505-869 THREAD TRIMMING KNIFE DRIVING CRANK PINCH SCREW
 511505-869 THREAD TRIMMING KNIFE ACTUATING SOLENOID CONNECTING PINCH SCREW
 511508-869 THREAD TRIMMING KNIFE ACTUATING SOLENOID MOUNTING SCREW (2)
 511515-869 THREAD TRIMMING KNIFE CONTROL CAM FOLLOWER CRANK PINCH SCREW
 511539-850 THREAD TRIMMING KNIFE ACTUATING SOLENOID BRACKET MOUNTING SCREW (2)
 511901-833 THREAD PULLER ACTUATING LEVER HINGE SCREW NUT
 511904-850 SCREW NUT
 512008 THREAD PULLER ACTUATING LEVER DRIVING SOLENOID SECURING SCREW WASHER (2)
 512011 THREAD PULLER ACTUATING LEVER HINGE SCREW WASHER (2)
 512012 THREAD TRIMMING KNIFE CONTROL SHAFT (2)
 512013 THREAD TRIMMING KNIFE ACTUATING SOLENOID CONNECTING ROLL PIN (2)
 512513 THREAD TRIMMING KNIFE ACTUATING SOLENOID CONNECTING CRANK (2) WITH 511505
 512611 THREAD TRIMMING KNIFE CONTROL CAM FOLLOWER RETAINER PAWL
 512612 THREAD PULLER ACTUATING LEVER TORSION SPRING
 512620 THREAD PULLER ACTUATING LEVER
 512621 THREAD PULLER ACTUATING LEVER BUSHING
 514005 THREAD TRIMMING KNIFE CONTROL CAM FOLLOWER CRANK CPL., NOS. 500398, 514006, 514007 AND 514008
 514006 THREAD TRIMMING KNIFE CONTROL CAM FOLLOWER CRANK WITH 511515
 514007 THREAD TRIMMING KNIFE CONTROL CAM FOLLOWER TORSION SPRING
 514008 THREAD TRIMMING KNIFE CONTROL CAM FOLLOWER
 514013 THREAD TRIMMING KNIFE ACTUATING SOLENOID CONNECTING CRANK (2) WITH 511505
 514015 THREAD PULLER ACTUATING LEVER DRIVING SOLENOID MOUNTING PLATE CPL., NOS. 500180, 500486, 500763, 507063, 511503, 511901, 511904, 512611, 512612, 512620, 512621, 514005, 514013, 514020, 514021, 514022, 603205, 603208, TWO EACH 511502, 511508, 511539, 512008, 512011, 512012, 512013, 512513 AND THREE 507063
 514020 THREAD TRIMMING KNIFE CONTROL SHAFT
 514021 THREAD TRIMMING KNIFE ACTUATING SOLENOID BRACKET CPL.
 514022 THREAD TRIMMING KNIFE ACTUATING SOLENOID CONNECTING LINK
 603205 THREAD PULLER ACTUATING LEVER DRIVING SOLENOID
 603208 THREAD TRIMMING KNIFE ACTUATING SOLENOID

PART NO. DESCRIPTION

PART NO. DESCRIPTION

THREAD WIPER FOR UNDERBED THREAD TRIMMER



211 G 665/666-01-1900-(0571)

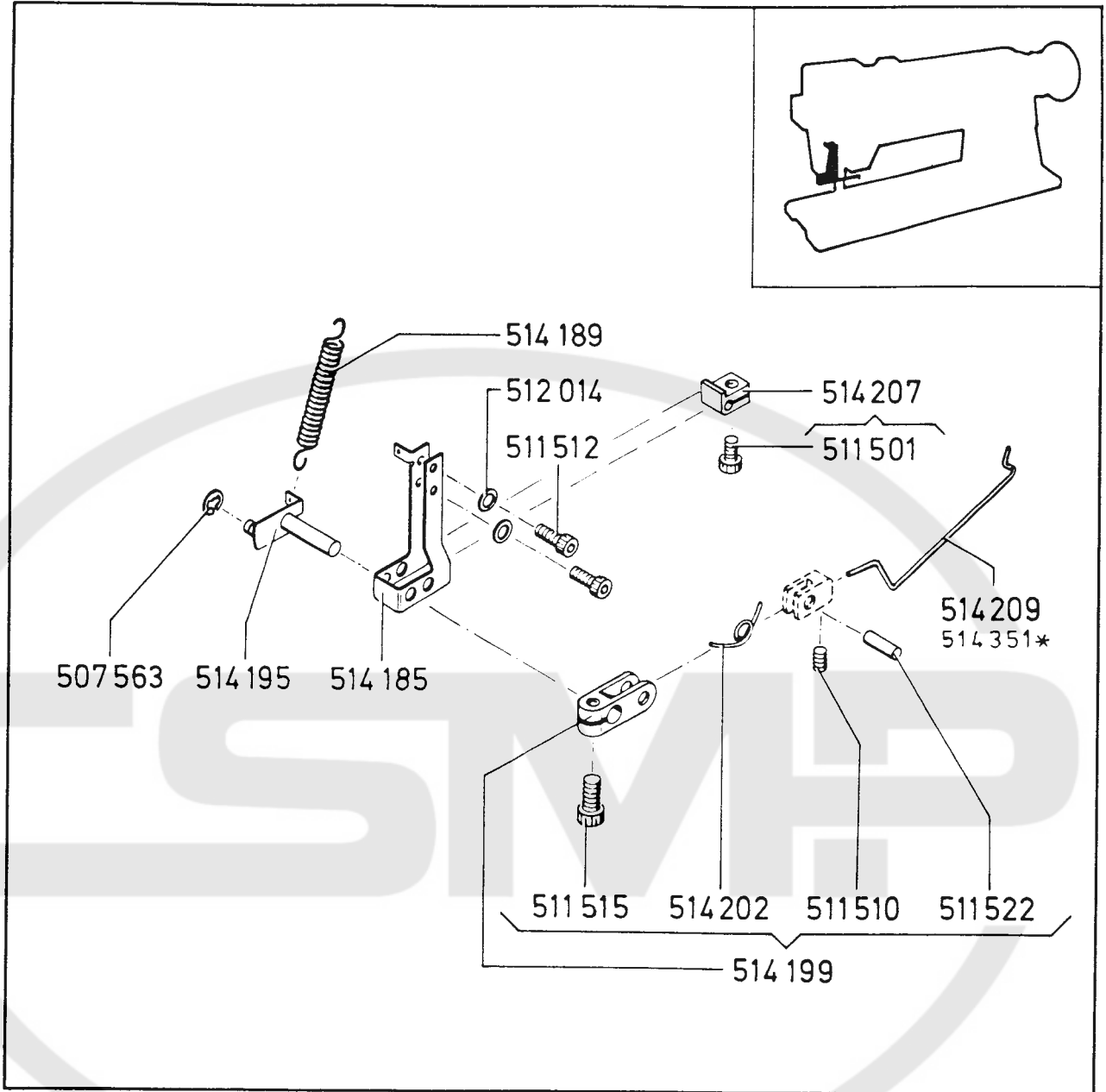
200084-850	SCREW (2)
507063	SAFETY WASHER
507563	RETAINING RING
511504-833	SCREW (2)
511505-869	SCREW
511539-850	SCREW (2)
511544-850	SCREW (8)
511582-833	PINCH SCREW
511902-850	NUT
512604	WASHER (2)
514183	BRACKET
514184	COLLAR
514186	ANGULAR BRACKET CPL. (2)
514188	SPRING

514190	SHAFT
514192	CLAMPING PIECE CPL., NOS. 511505, 511582 AND 511902
514193	SOLENOID BRACKET
514194	PULL ROD
514206	THREAD WIPER MECHANISM CPL., NOS. 507063, 507563, 511504, 511539, 511544, 512604, 514183, 514184, 514186, 514188, 514190, 514192, 514193, 514194, 603229, 603319 AND 603321
603229	TERMINAL
603319	SOLENOID
603321	SOLENOID

PART NO. DESCRIPTION

PART NO. DESCRIPTION

THREAD WIPER FOR UNDERBED THREAD TRIMMER



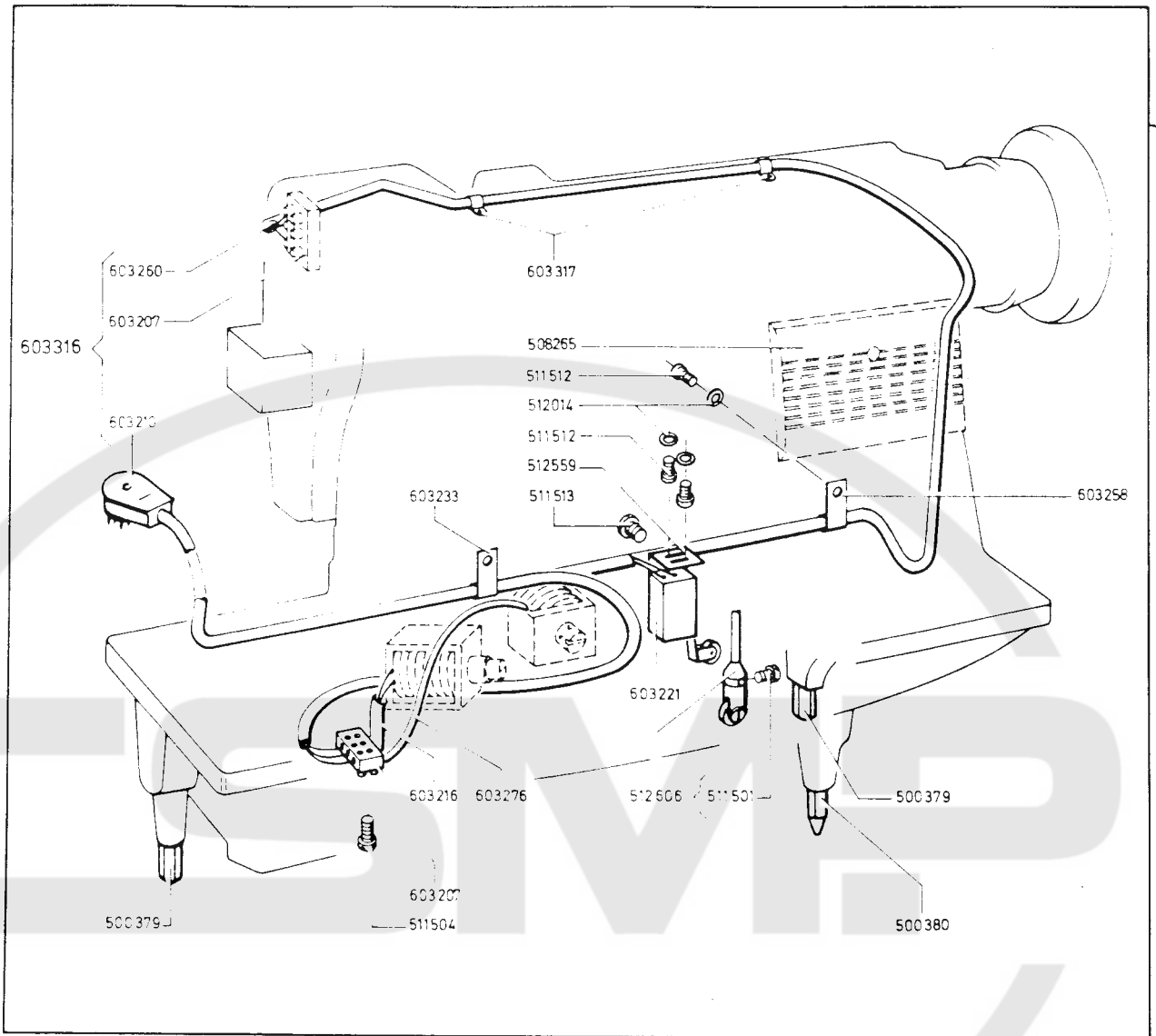
211 G 665/666-01-2000-(0571)
 211 G 665/666-02
 * 211 G 765/766

507563	RETAINING RING
511501-869	SCREW
511510-869	PINCH SCREW
511512	SCREW
511515-869	SCREW
511522	PIN
512014	WASHER
514185	BRACKET

514189	SPRING
514195	SHACKLE
514199	LOCKING PAWL CPL. , NOS. 511510, 511515, 511522 AND 514202
514202	SPRING
514207	STOP CPL. WITH 511502
514209	THREAD WIPER

PART NO. DESCRIPTION

PART NO. DESCRIPTION



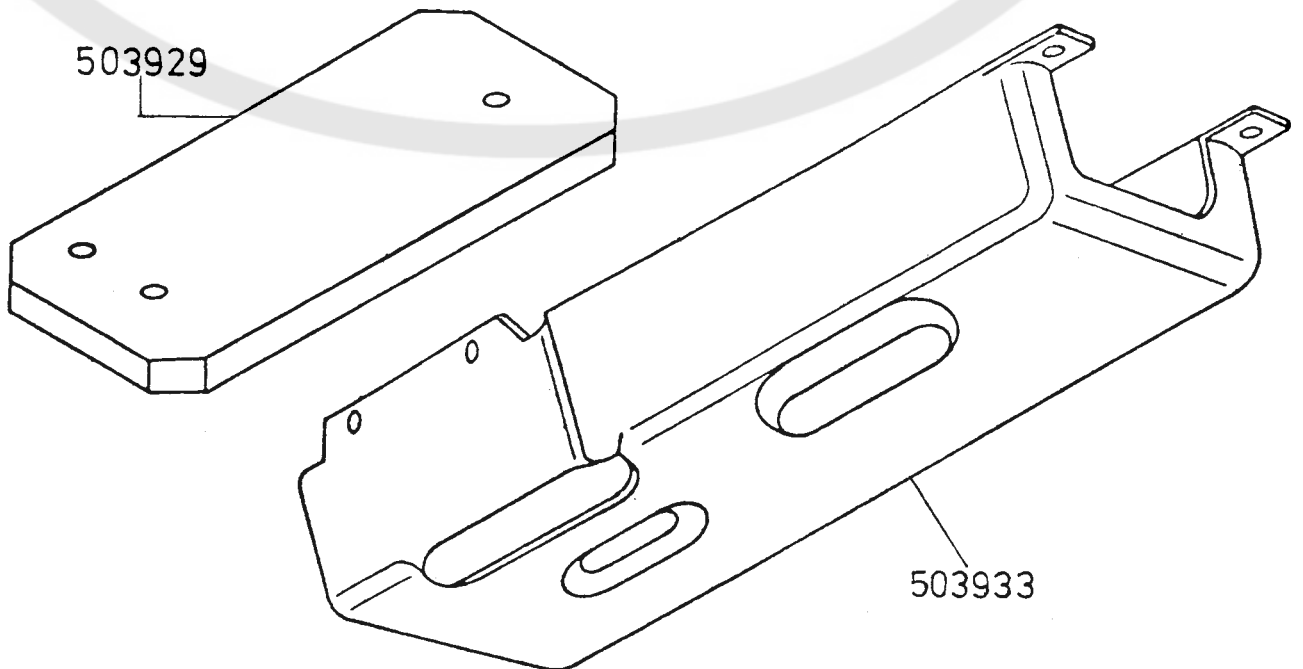
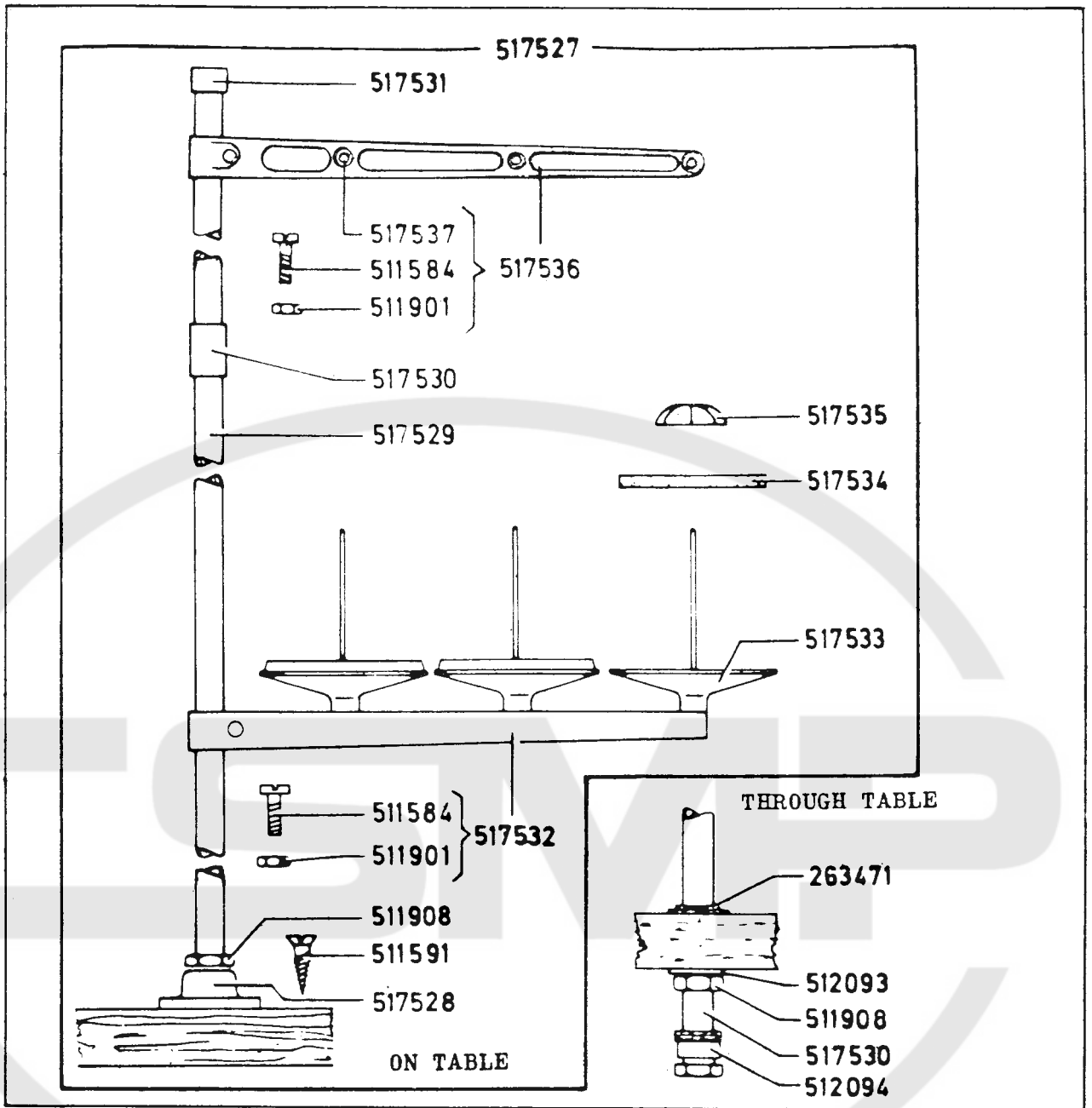
211 G 665/666-02-2200-(0571)

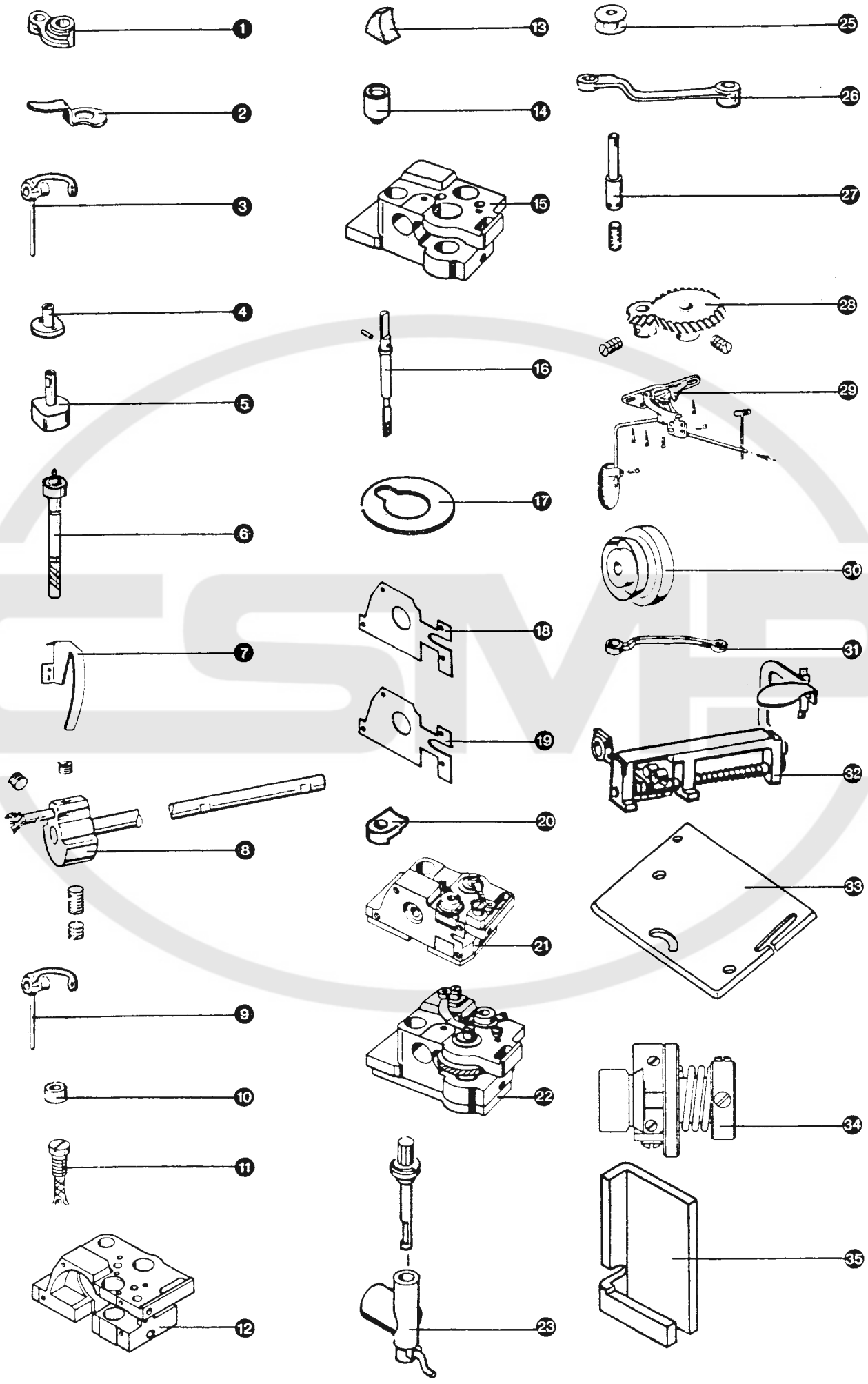
500379-850	STUD (2)
500380-850	STUD
511501-869	SCREW (2)
511504-833	SCREW (2)
511512-869	SCREW (5)
511513-869	SCREW (2)
512014	WASHER (5)
512559	ANGLE BRACKET
512606	TRIP DOG CPL. WITH 511501 (2)
603207	TERMINAL

603210	SPECIAL PLUG (10-POLE)
603216	INSULATING TUBING
603221	MICRO SWITCH
603233	CABLE BOND
603258	CABLE BOND (2)
603260	CABLE NOZZLE
603276	INSULATING TUBING
603316	CABLE HARNESS CPL., NOS 603207, 603210 AND 603260
603317	CABLE BOND (2)

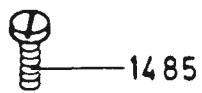
PART NO. DESCRIPTION

PART NO. DESCRIPTION

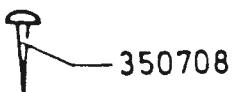




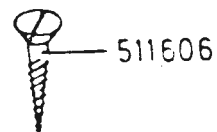
6-000 008-700



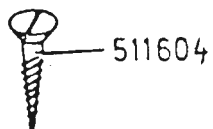
1485



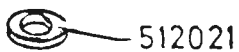
350708



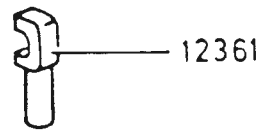
511606



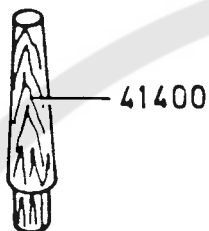
511604



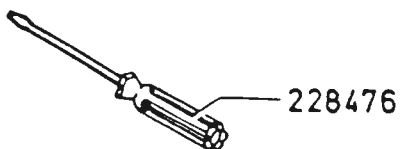
512021



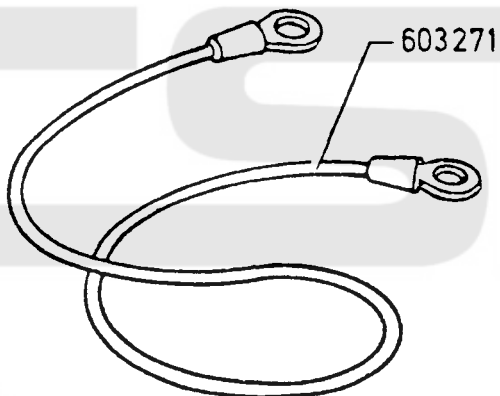
12361



41400

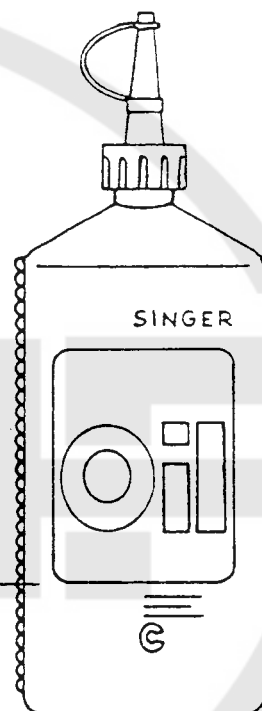


228476

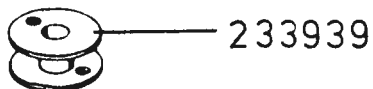


603271

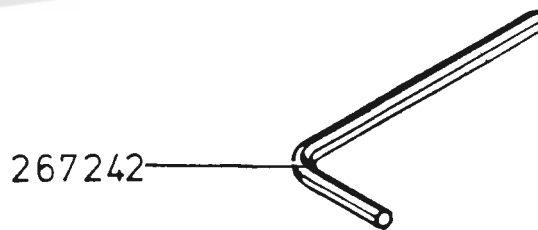
517708



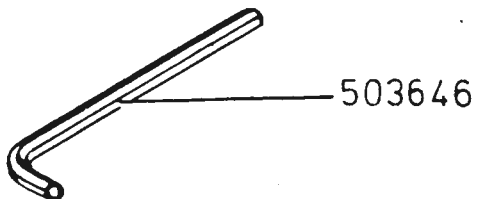
6-000034-700



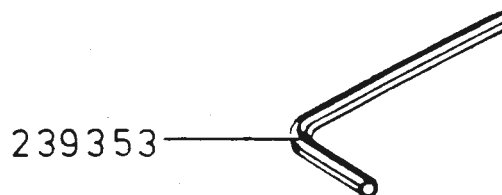
233939



267242

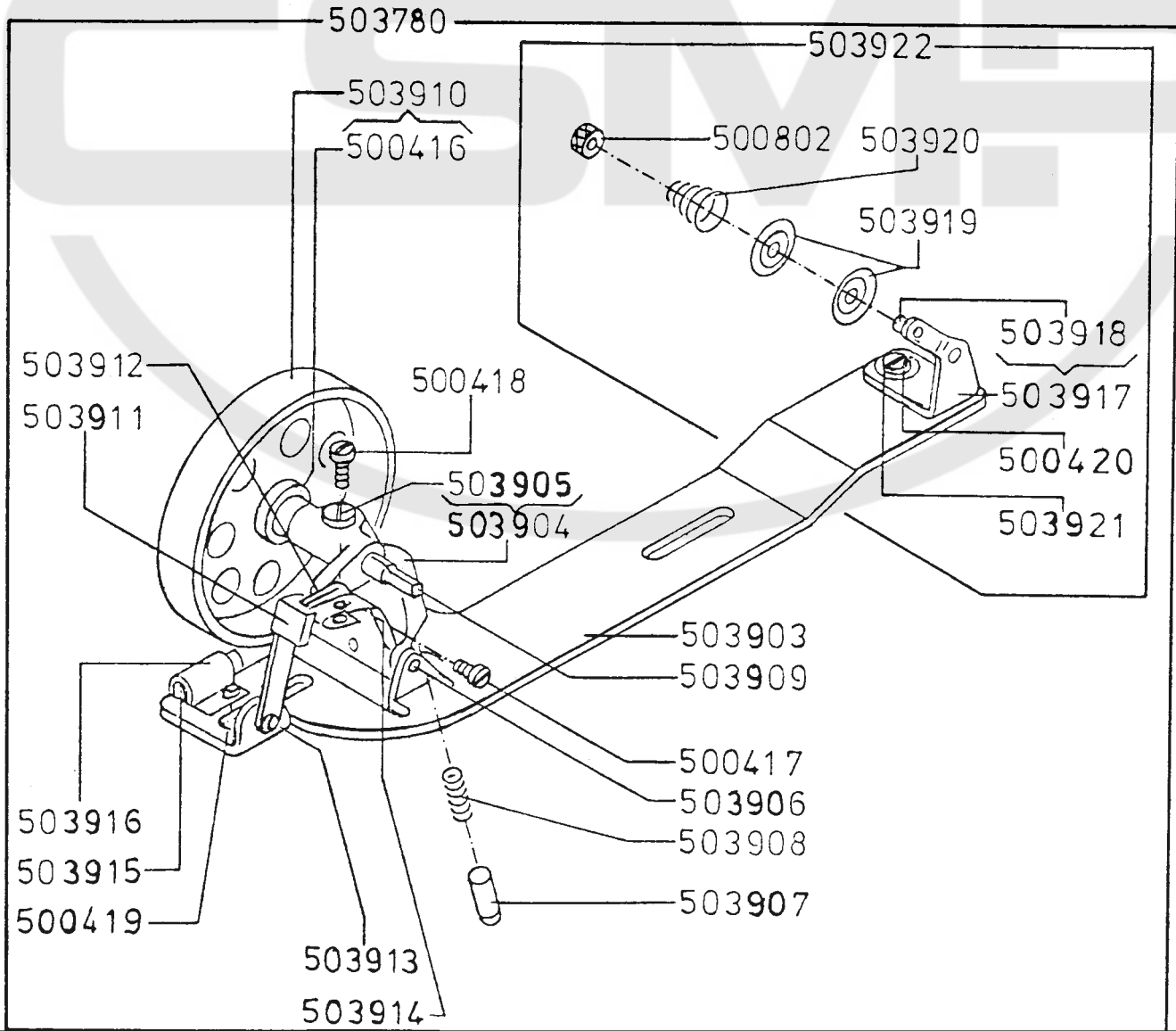
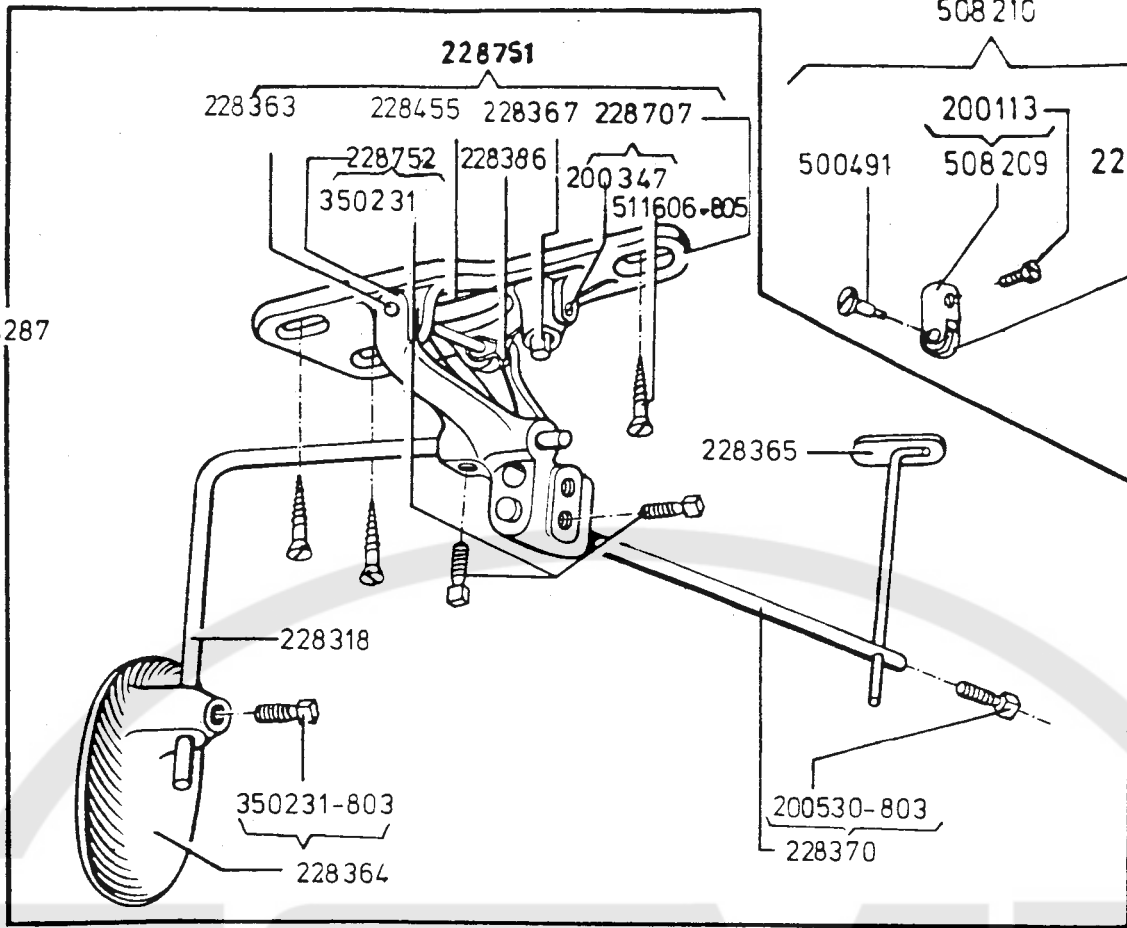


503646

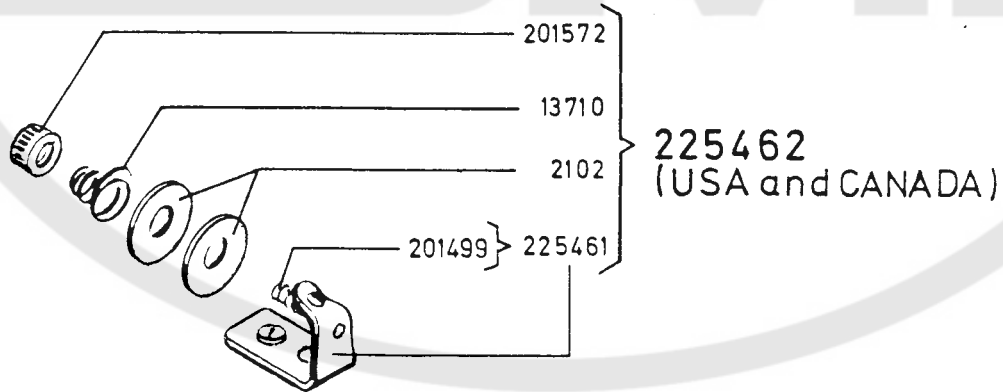
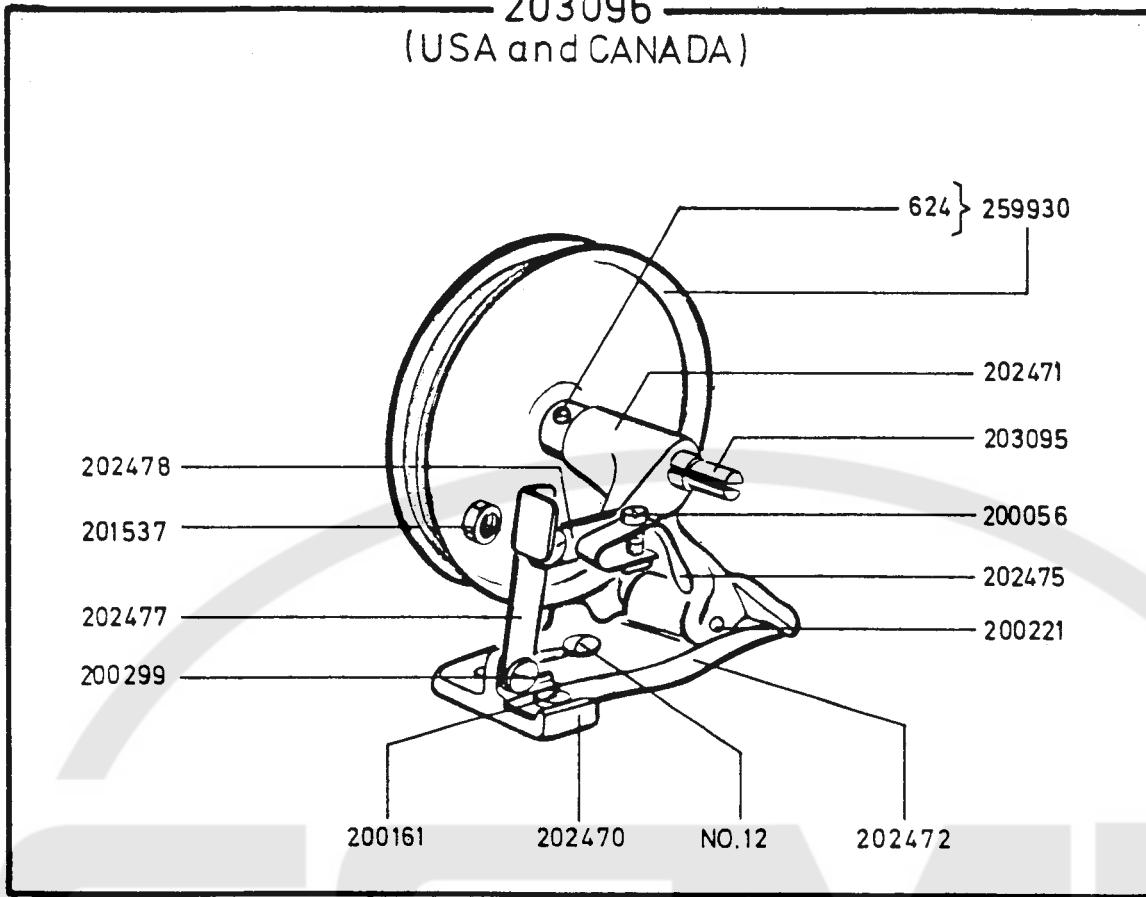


239353

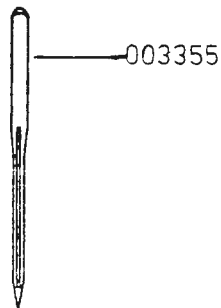
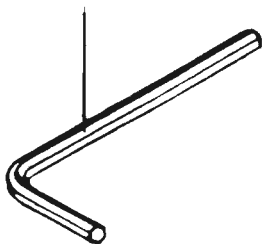
514287



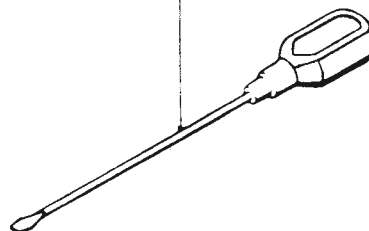
203096
(USA and CANADA)

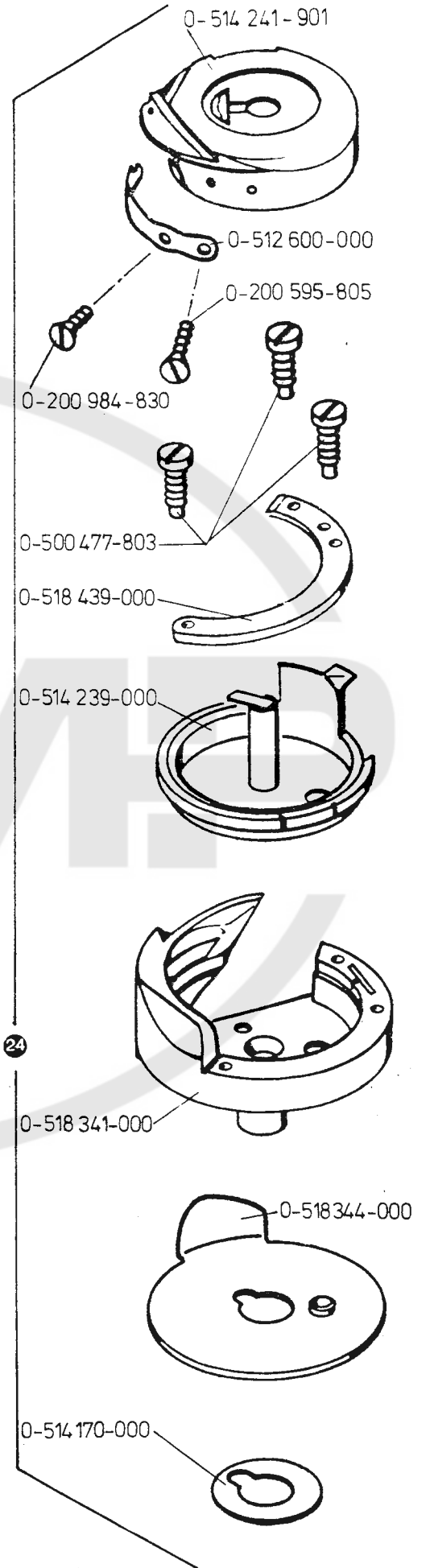
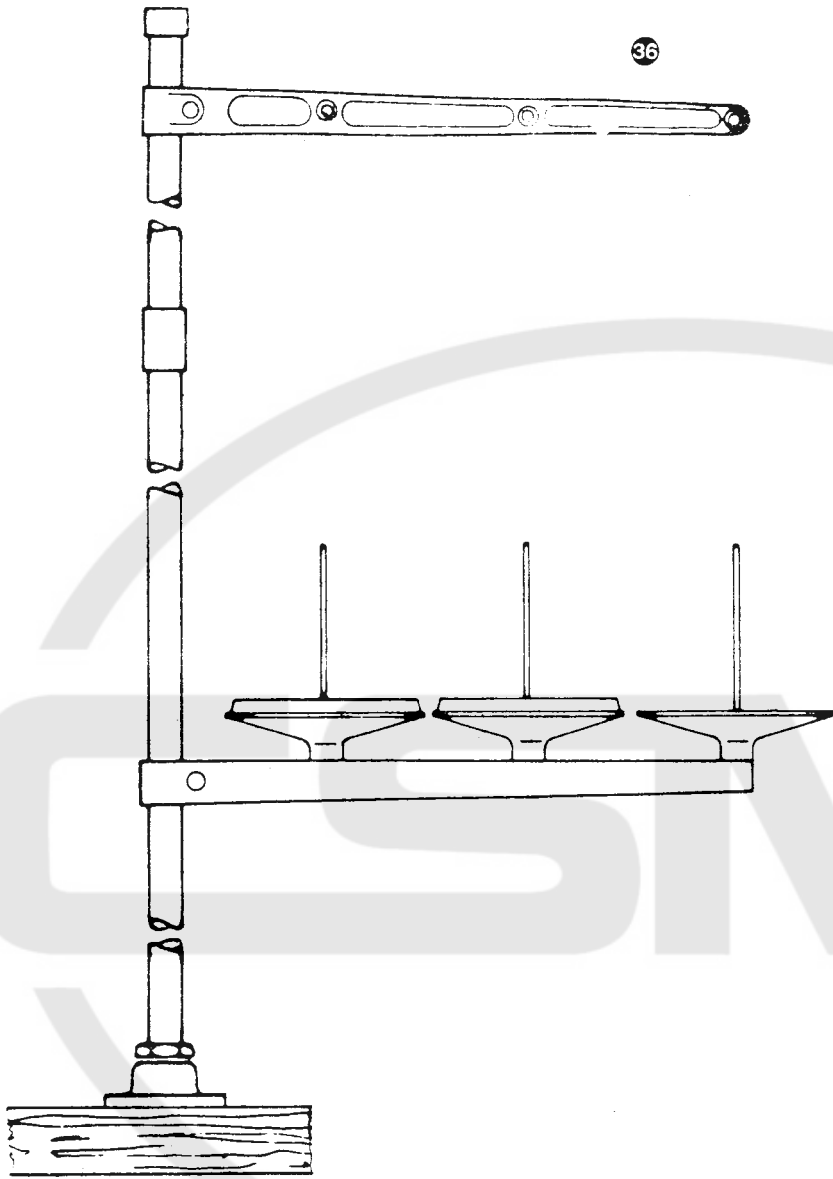


240566
(USA and CANADA)



120440





TEMPORARY LIST OF SPECIAL PARTS FOR LARGE HOOK MACHINES

VORLÄUFIGE LISTE DER SONDERTEILE FÜR MASCHINEN MIT GROSSEM GREIFER



		211 G					212 G	
		351	357	358	465	466	340	341
1	0-514152-000	Öffnerkurbel kpl.						
		OPENER CRANK CPL.	X	X	X	X	X	X
2	0-514153-000	Öffnerfinger	X	X	X	X	X2x	X2x
		BOBBIN CASE OPENER	X	X	X	X	X	X
3	0-514154-000	Fadengeberhebel					X	X
		TAKE-UP LEVER					X	X
4	0-514155-000	Gelenklager					X	X
		BEARING					X	X
5	0-514156-000	Scharnierbolzen	X	X	X	X	X	X
		HINGE STUD	X	X	X	X	X	X
6	0-514157-000	Greiferwelle kpl.	X	X	X	X	X	X
		HOOK SHAFT CPL.	X	X	X	X	X	X
7	0-514158-000	Fadengeberhebelschutz	X	X	X	X	X	X
		TAKE-UP LEVER GUARD	X	X	X	X	X	X
8	0-514159-000	Armwelle kpl.	X	X	X	X	X	X
		ARM SHAFT CPL.	X	X	X	X	X	X
9	0-514160-000	Fadengeberhebel	X	X	X	X	X	X
		TAKE-UP LEVER	X	X	X	X	X	X
10	0-514162-000	Distanzring	X	X	X	X	X	X
		SPACER	X	X	X	X	X	X
11	0-514163-000	Schraube kpl.	X	X	X	X	X2x	X2x
		SCREW CPL.	X	X	X	X	X2x	X2x
12	0-514164-000	Greiferbockgehäuse kpl. (Rechts)	X	X	X	X	X	X
		HOOK SADDLE CASE CPL. (RIGHT)	X	X	X	X	X	X
13	0-514165-000	Schaumpolster	X	X	X	X	X2x	X2x
		OIL PAD	X	X	X	X	X2x	X2x
14	0-514166-000	Greiferwellenbuchse	X	X	X	X	X2x	X2x
		HOOK-SHAFT BUSHING	X	X	X	X	X2x	X2x
15	0-514167-000	Greiferbockgehäuse kpl. (Links)						
		HOOK SADDLE CASE CPL. (LEFT)						
16	0-514168-000	Ölmeßstab kpl.	X	X	X	X	X	X
		OIL GAUGE CPL.	X	X	X	X	X	X
17	0-514170-000	Distanzscheibe	X2x	X2x	X2x	X2x	X4x	X4x
		SPACER	X2x	X2x	X2x	X2x	X4x	X4x
18	0-514171-000	Abdeckplatte (Rechts)	X	X	X	X	X	X
		COVER PLATE (RIGHT)	X	X	X	X	X	X
19	0-514172-000	Abdeckplatte (Links)						
		COVER PLATE (LEFT)						
20	0-514173-000	Haltekloben	X2x	X2x	X2x	X2x	X4x	X4x
		HOLDER	X2x	X2x	X2x	X2x	X4x	X4x
21	0-514175-000	Greiferbock kpl. (Rechts)	X	X	X	X	X	X
		HOOK SADDLE CPL. (RIGHT)	X	X	X	X	X	X
22	0-514176-000	Greiferbock kpl. (Links)						
		HOOK SADDLE CPL. (LEFT)						
23	0-514182-000	Ölbehälter mit Bolzen kpl.					X	
		OIL RESERVOIR CPL.					X	
24	0-514200-000	Greifer kpl.	X	X	X	X	X2x	X2x
		HOOK CPL.	X	X	X	X	X2x	X2x

		211 G					212 G	
		351	357	358	465	466	340	341
							X2x	X2x
250-514201-000	Spule	X	X	X	X	X	X2x	X2x
260-514213-000	Öffnergelenk	X	X	X	X	X	X	X
270-514215-000	Ölmuffe kpl.	X	X	X	X	X	X2x	X2x
280-514220-000	Schraubenräder (Paar)	X	X	X	X	X	X2x	X2x
290-514287-000	Knielüfter kpl.	X	X	X	X	X	X	X
300-514314-000	Handrad kpl.				X	X		
310-514320-000	Öffnergelenk						X	X
320-514327-000	Rückwärtstransport kpl.			X		X		
330-514332-000	Grundplattenschieber	X	X	X	X	X		
340-514341-000	Exzenter kpl.				X	X		
350-514360-000	Anschlag			X		X		
360-517527-000	Garnrollenstände	X	X	X	X	X	X	X