



SINGER

211G165,G166,G265,G266

ILLUSTRATED
PARTS LIST
for

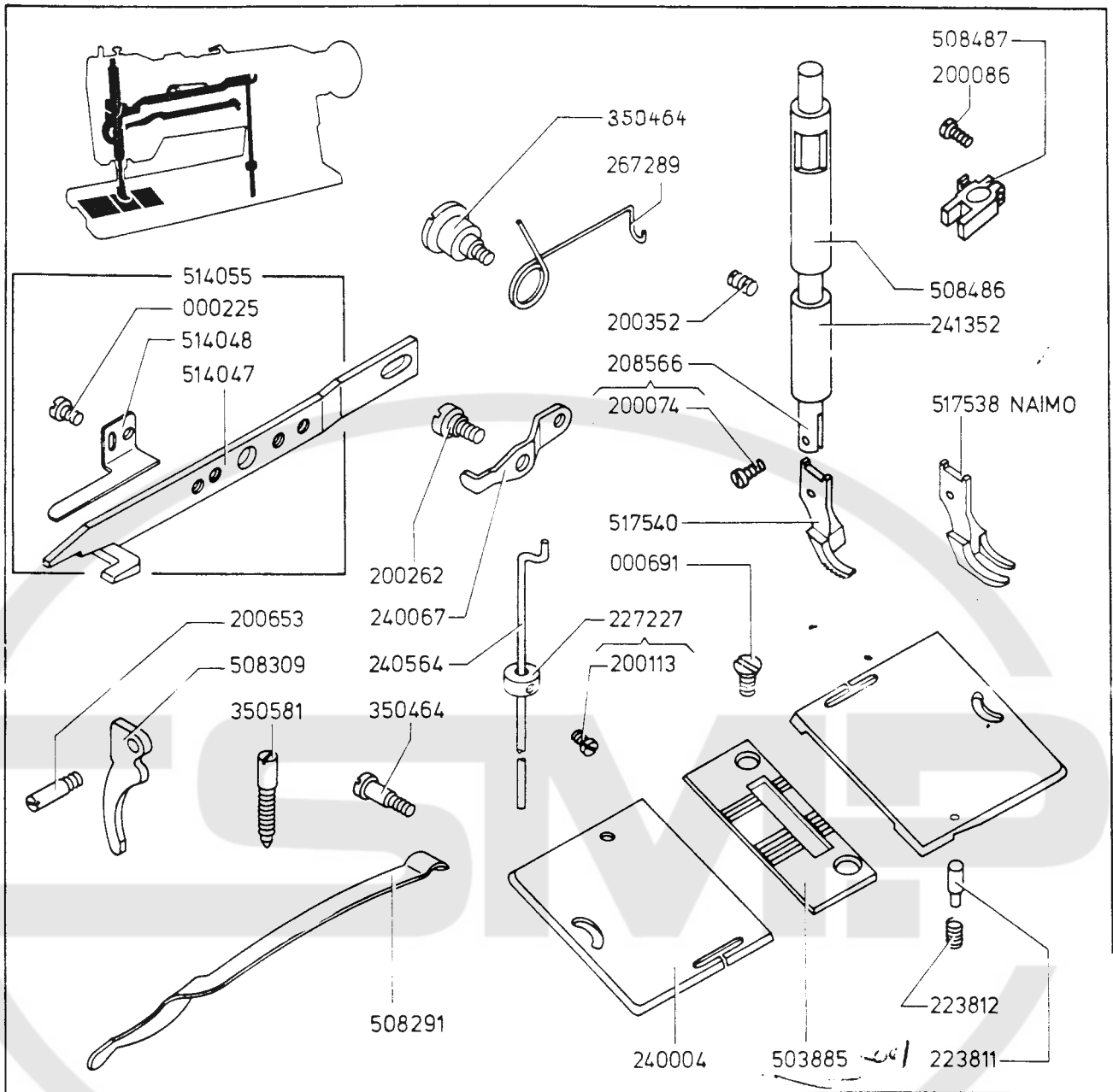
SINGER
MACHINES

211G165

211G166

211G265

211G266



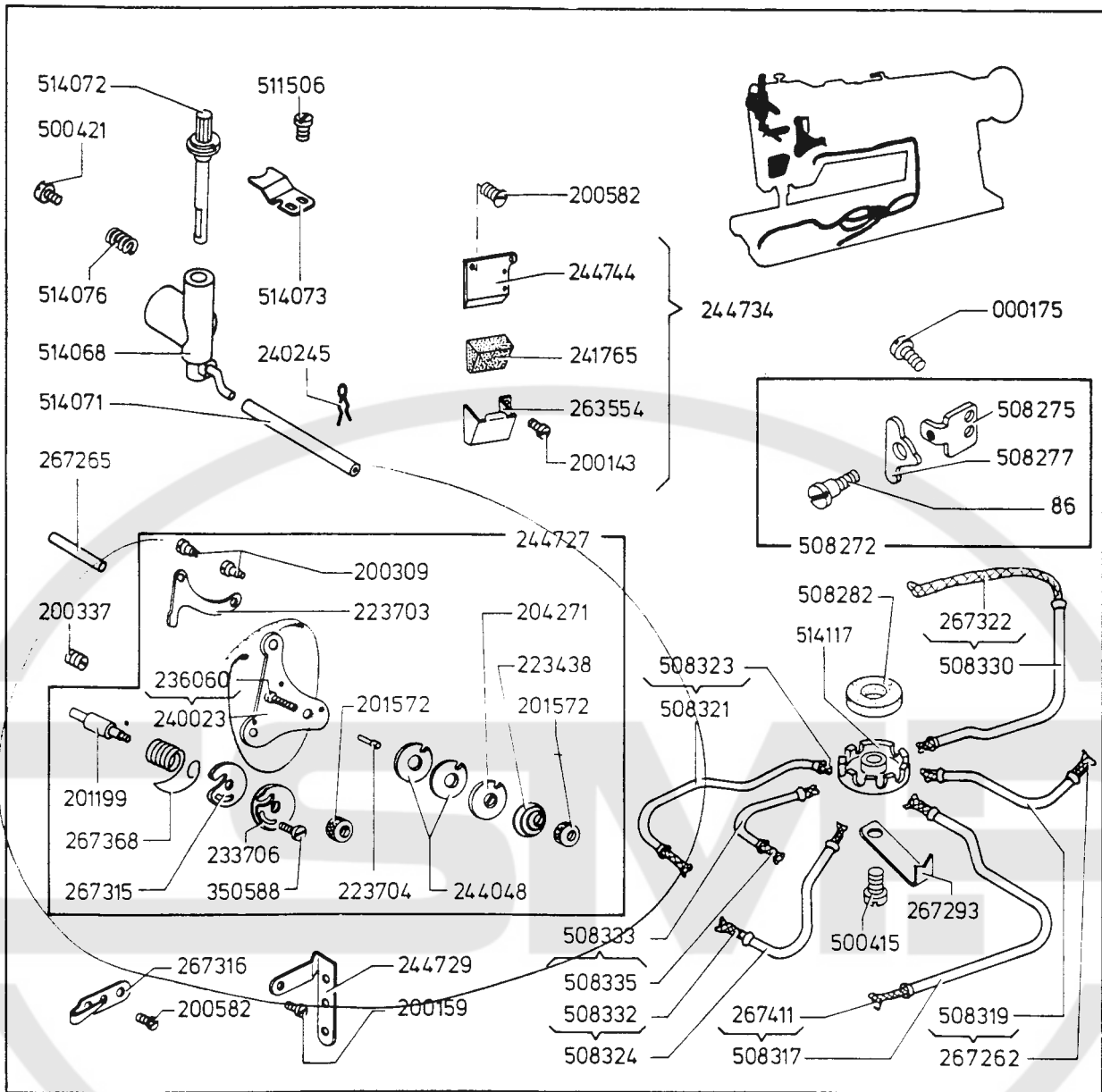
211G165-700-10

000225-850	KNEE LIFTER LIFTING LEVER SCREW
000691-831	THROAT PLATE SCREW (2)
200074-850	LIFTING PRESSER FOOT SCREW
200086-833	PRESSER BAR SPRING BRACKET PINCH SCREW
200113-850	KNEE LIFTER CONNECTION LEVER LIFTING ROD STOP COLLAR SET SCREW
200262-850	KNEE LIFTER CONNECTION LEVER HINGE SCREW
200352-833	PRESSER BAR BUSHING AND POSITION GUIDE SET SCREW
200653-803	PRESSER BAR LIFTER HINGE SCREW
350464-819	PRESSER BAR SPRING SUPPORT SCREW
208566	PRESSER BAR WITH 200074
223811	BED SLIDE (BACK) STOP
223812	BED SLIDE (BACK) STOP SPRING
227227	KNEE LIFTER CONNECTION LEVER LIFTING ROD STOP COLLAR WITH 200113
240004	BED SLIDE (FRONT)

240067	KNEE LIFTER CONNECTION LEVER
240564	KNEE LIFTER CONNECTION LEVER LIFTING ROD
241352-002	PRESSER BAR BUSHING (LOWER)
267289	KNEE LIFTER LIFTING LEVER RETURN SPRING
350464-819	KNEE LIFTER LIFTING LEVER PINCH SCREW
350581-803	PRESSER BAR SPRING REGULATING SCREW
503885	THROAT PLATE
508291	PRESSER BAR SPRING (FLAT)
508309	PRESSER BAR LIFTER
508486	PRESSER BAR BUSHING (UPPER)
508487	PRESSER BAR SPRING BRACKET WITH 200086
514047	KNEE LIFTER LIFTING LEVER
514048	TENSION RELEASE ACTUATING SPRING
514055	KNEE LIFTER LIFTING LEVER WITH 225, 514047 AND 514048
517538	LIFTING PRESSER FOOT (NAIMO)
517540	LIFTING PRESSER FOOT

PART NO. DESCRIPTION

PART NO. DESCRIPTION

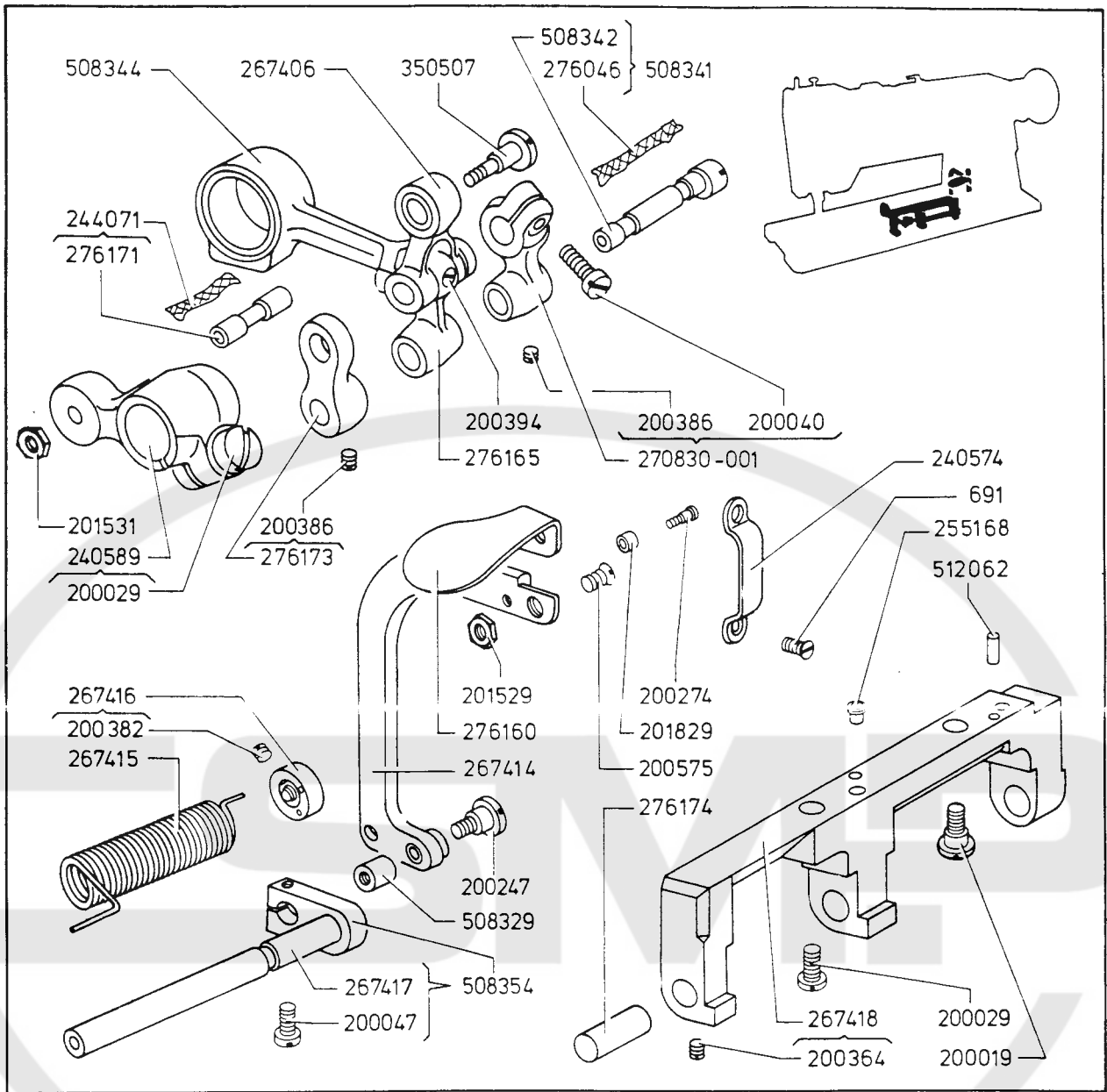


000086-850 TENSION RELEASE BELL CRANK HINGE SCREW
 000175-850 TENSION RELEASE BRACKET SCREW (2)
 200143-819 THREAD LUBRICATOR OIL PAD HOLDER SCREW (2)
 200159-806 TENSION BRACKET SCREW
 200309-805 TENSION RELEASE LEVER SCREW (2)
 200337-803 THREAD CONTROLLER STUD SET SCREW
 200582-850 THREAD GUIDE SCREW
 200582-850 THREAD LUBRICATOR PLATE SCREW (2)
 201199 THREAD CONTROLLER STUD
 201572-819 TENSION THUMB NUT (2)
 204271 TENSION RELEASE WASHER
 223438 TENSION SPRING
 223703 TENSION RELEASE LEVER
 223704 TENSION RELEASE PLUNGER
 233706 THREAD CONTROLLER DISC
 236060 TENSION DISC POSITION PIN
 240023 TENSION BRACKET WITH 236060
 240245 THREAD LUBRICATING TUBE CLAMP
 241765 THREAD LUBRICATOR OIL PAD (FELT)
 244048 TENSION DISC (2)
 244727 TENSION BRACKET CPL. NOS. 201199, 204271, 223438,
 223703, 223704, 233706, 240023, 267315, 267368, 350588
 AND TWO EACH 200309, 201572 AND 244048
 244734 THREAD LUBRICATOR OIL PAD HOLDER CPL. NOS.
 241765, 244744, 263554 AND TWO 200143
 244744 THREAD LUBRICATOR PLATE
 263554 THREAD LUBRICATOR OIL PAD HOLDER
 267262 FEED DRIVING ROCK SHAFT BUSHING OIL TUBE WICK
 267265 TENSION RELEASE LEVER ROD
 267293 BED OIL TUBE CLAMP
 267315 THREAD CONTROLLER SPRING TOP
 267316 THREAD GUIDE

244729 THREAD RETAINER
 267322 BED OIL SUPPLY TUBE OIL WICK
 267368 THREAD CONTROLLER SPRING
 267411 FEED DRIVING ROCK SHAFT BUSHING OIL TUBE
 350588-819 THREAD CONTROLLER DISC SCREW
 500415-850 BED OIL TUBE CLAMP SCREW
 500421-850 THREAD LUBRICATING RESERVOIR CLAMPING SPRING SCREW
 508272 TENSION RELEASE BRACKET CPL. NOS. 86, 508275
 AND 508277
 508275 TENSION RELEASE BRACKET
 508277 TENSION RELEASE BELL CRANK
 508282 BED OIL TUBE CLAMP OILING FELT
 508317 FEED DRIVING ROCK SHAFT BUSHING OIL TUBE
 WITH 267411
 508319 FEED DRIVING ROCK SHAFT BUSHING OIL TUBE WITH 267262
 508321 HOOK DRIVING SHAFT BEARING LEFT OIL TUBE WITH
 508323
 508323 HOOK DRIVING SHAFT BEARING (LEFT) OIL TUBE WICK
 508324 HOOK SATTLE BEARING OIL TUBE WITH 508332
 508330 BED OIL SUPPLY TUBE WITH 267322
 508332 HOOK SATTLE BEARING OIL TUBE WICK
 508333 FEED DRIVING ECCENTRIC CONNECTION OIL TUBE
 WITH 508335
 508335 FEED DRIVING ECCENTRIC CONNECTION OIL TUBE WICK
 511506-869 THREAD LUBRICATOR REGULATOR SPRING SCREW (2)
 514068 THREAD LUBRICATING RESERVOIR
 514071 THREAD LUBRICATING TUBE
 514072 THREAD LUBRICATION REGULATOR
 514073 THREAD LUBRICATION REGULATOR SPRING
 514076 THREAD LUBRICATING RESERVOIR CLAMPING SPRING
 514117 BED OIL TUBE CLAMP

211G165-800-(0870)

PART NO.	DESCRIPTION	PART NO.	DESCRIPTION
----------	-------------	----------	-------------



Parts for Machine 211 G 166

211G166-1000-(0870,-645)

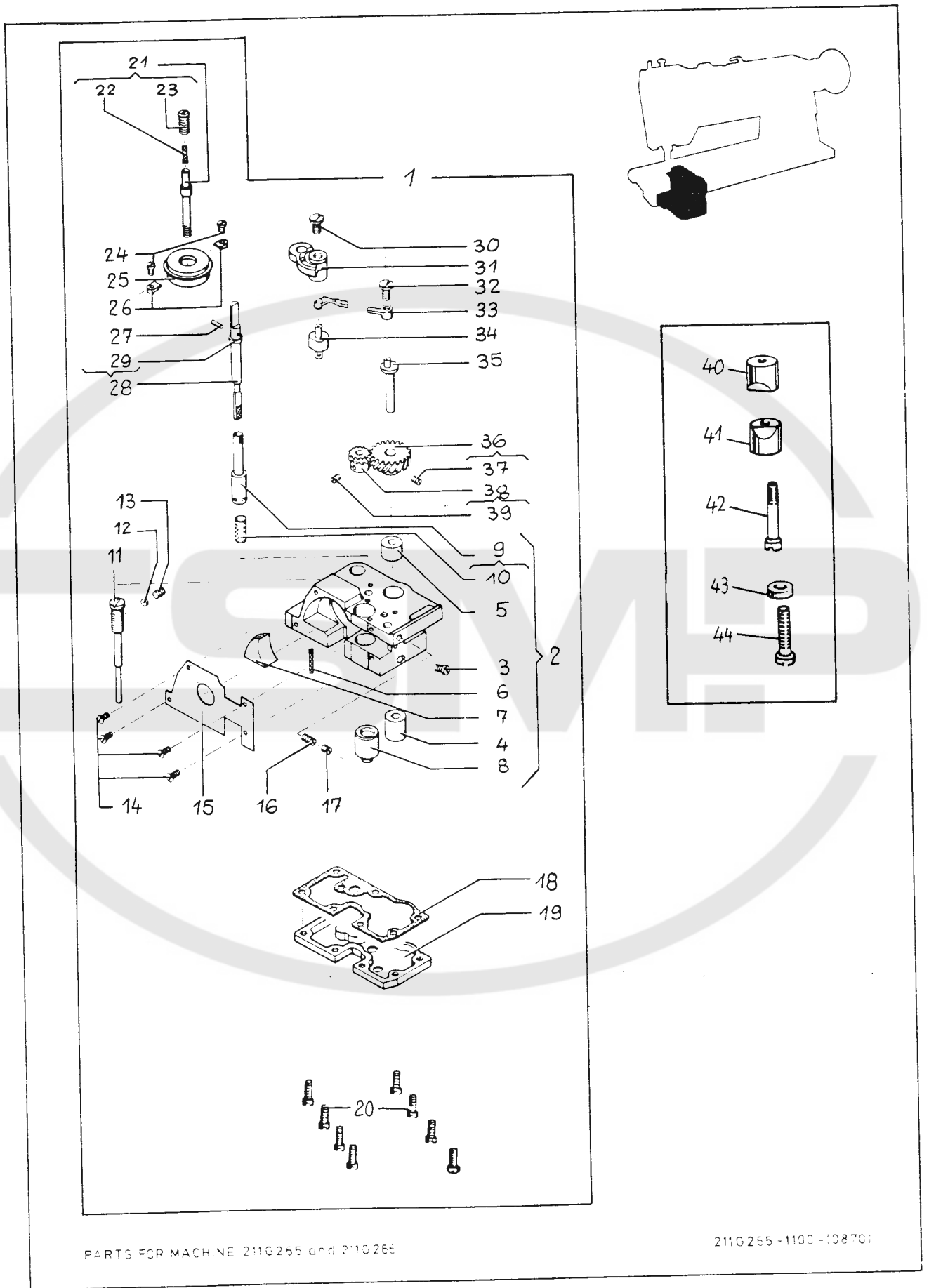
For parts not illustrated, refer to machine 211 G 165 (page 100-900)

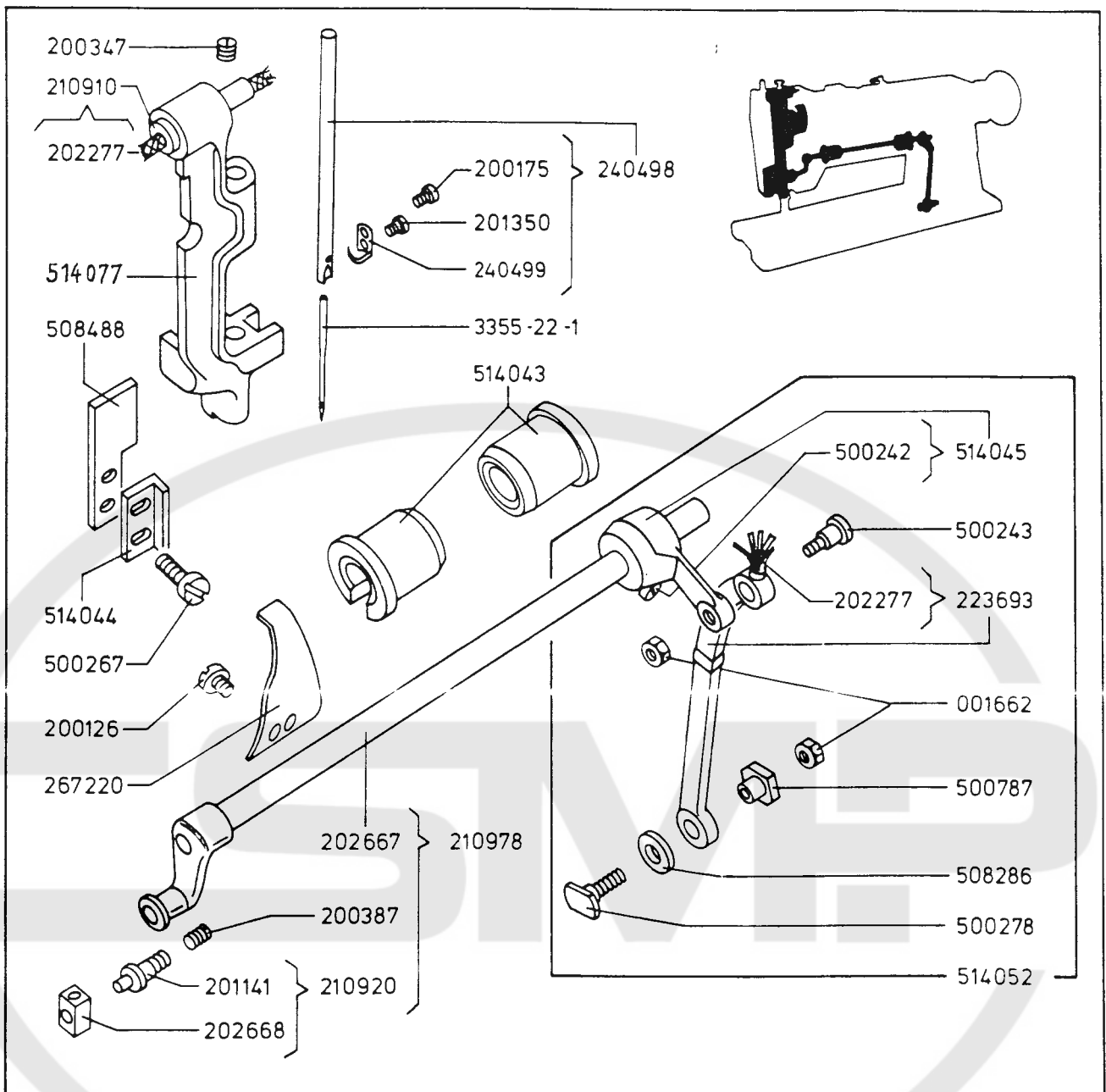
691-831	FEED REVERSING LEVER GUIDE ROLLER POSITION PLATE SCREW (2)
200019-850	FEED REVERSING SHAFT BRACKET SCREW
200029-805	FEED REVERSING SHAFT BRACKET SCREW
200029-850	FEED DRIVING ROCK SHAFT CRANK PINCH SCREW
200040-833	FEED REVERSING SHAFT CRANK PINCH SCREW
200047-850	FEED REVERSING SHAFT DRIVING STUD PINCH SCREW
200247-803	FEED REVERSING LEVER PINCH SCREW
200274-803	FEED REVERSING LEVER GUIDE ROLLER SCREW STUD
200364-830	FEED REVERSING MECHANISM SUPPORT LINK STUD SET SCREW
200382-833	FEED REVERSING LEVER SPRING COLLAR SET SCREW (2)
200386-833	FEED REVERSING SHAFT CRANK HINGE STUD SET SCREW (2)
200394-803	FEED DRIVING ECCENTRIC CONNECTION LINK HINGE PIN SET SCREW
200575-819	FEED REVERSING LEVER HANDLE SCREW
201529-819	FEED REVERSING LEVER HANDLE SCREW NUT
201531-805	FEED DRIVING ROCK SHAFT CRANK HINGE SCREW NUT
201829	FEED REVERSING LEVER GUIDE ROLLER
240574	FEED REVERSING LEVER GUIDE ROLLER POSITION PLATE
240589	FEED DRIVING ROCK SHAFT WITH 200029
244071	FEED DRIVING ECCENTRIC CONNECTION LINK HINGE PIN OIL PACKING (WICK)

255168	BED OIL CUP (2)
267406	FEED DRIVING ECCENTRIC CONNECTION
267414	FEED REVERSING LEVER
267415	FEED REVERSING LEVER SPRING
267416	FEED REVERSING LEVER SPRING COLLAR WITH TWO 200382
267417	FEED REVERSING SHAFT
267418	FEED REVERSING SHAFT BRACKET WITH 200364
270830-001	FEED REVERSING SHAFT CRANK WITH 200040 AND 200386
276046	FEED REVERSING SHAFT CRANK HINGE STUD OIL PACKING (WICK)
276160	FEED REVERSING LEVER HANDLE
276165	FEED REVERSING SHAFT LINK WITH 200394
276171	FEED DRIVING ECCENTRIC CONNECTION LINK HINGE PIN
276173	PIN OILING PACKING WITH 244071
276174	FEED REVERSING MECHANISM SUPPORT LINK WITH 200386
350507-803	FEED REVERSING SHAFT CRANK HINGE STUD SET SCREW
508329	FEED DRIVING ROCK SHAFT CRANK HINGE SCREW
508341	FEED REVERSING SHAFT DRIVING STUD
508342	FEED REVERSING SHAFT CRANK HINGE STUD WITH 276046 AND 508342
508344	FEED REVERSING SHAFT CRANK HINGE STUD
508354	FEED DRIVING ECCENTRIC CONNECTION
512062	FEED REVERSING SHAFT WITH 267417 AND 200047
	FEED REVERSING SHAFT BRACKET POSITION PIN (2)

PART NO. DESCRIPTION

PART NO. DESCRIPTION





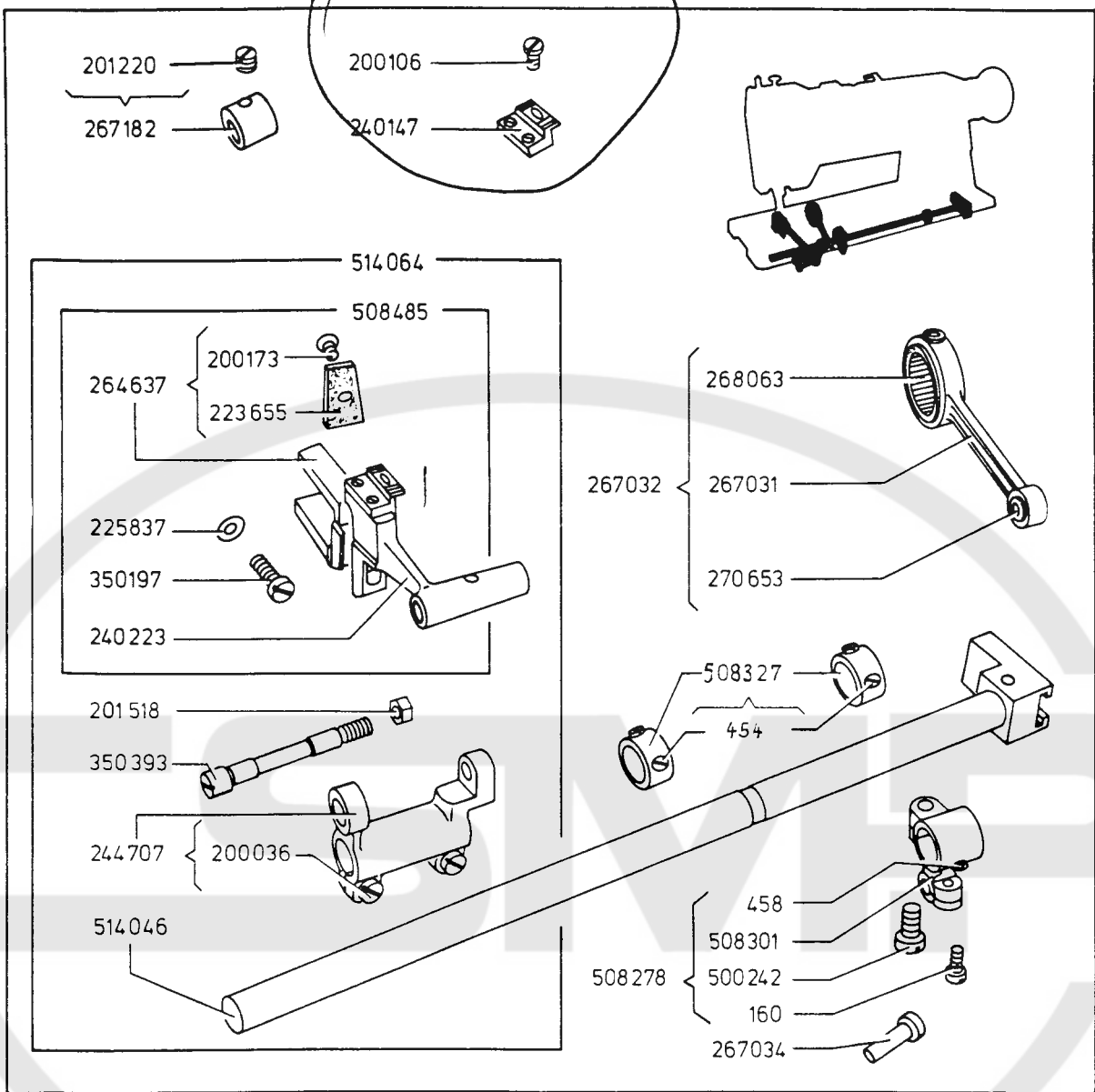
211G165-300-10870

001662-805	NEEDLE BAR ROCK SHAFT CRANK SLIDE SCREW LOCK NUT AND CONNECTION HINGE SCREW NUT (2)
003355-22-1	NEEDLE
200126-805	OIL GUARD SCREW (2)
200175-850	NEEDLE BAR THREAD GUIDE SCREW
200347-833	TAKE-UP LEVER HINGE STUD SET SCREW
200387-830	NEEDLE BAR ROCK FRAME ROCK SHAFT SLIDE BLOCK STUD SET SCREW
201141-803	NEEDLE BAR ROCK FRAME ROCK SHAFT SLIDE BLOCK STUD
201350-806	NEEDLE SET SCREW
202277	TAKE-UP LEVER HINGE STUD OIL WICK
202277	NEEDLE BAR ROCK FRAME ROCK SHAFT CRANK CONNECTION OIL WICK
202667	NEEDLE BAR ROCK FRAME ROCK SHAFT
202668	NEEDLE BAR ROCK FRAME ROCK SHAFT SLIDE BLOCK
210910	TAKE-UP LEVER HINGE STUD WITH 202277
210920	NEEDLE BAR ROCK FRAME ROCK SHAFT SLIDE BLOCK CPL. NOS. 201141 AND 202668
210978	NEEDLE BAR ROCK FRAME ROCK SHAFT CPL. NOS. 200387, 202667 AND 210920

223693	NEEDLE BAR ROCK FRAME ROCK SHAFT CRANK CONNECTION WITH 202277
514077	NEEDLE BAR ROCK FRAME
240498	NEEDLE BAR WITH 200175, 201350 AND 508456
240499	NEEDLE BAR THREAD GUIDE
267220	OIL GUARD
500242-850	NEEDLE BAR ROCK SHAFT CONNECTION LINK CRANK PINCH SCREW
500243-803	NEEDLE BAR ROCK SHAFT CONNECTION HINGE SCREW
500267-850	PRESSER BAR GUIDE SCREW (2)
500278-803	NEEDLE BAR ROCK SHAFT CRANK SLIDE SCREW
500787-803	NEEDLE BAR ROCK SHAFT CRANK SLIDE SCREW NUT
508286	NEEDLE BAR ROCK SHAFT CRANK SLIDE SCREW SPACER
508488	PRESSER BAR GUIDE
514043	NEEDLE BAR ROCK SHAFT BUSHING (2)
514044	NEEDLE BAR ROCK FRAME POSITION BRACKET
514045	NEEDLE BAR ROCK SHAFT CONNECTION LINK CRANK WITH 500242
514052	NEEDLE BAR ROCK SHAFT CONNECTION LINK CRANK CPL. NOS. 223693, 500243, 500278, 500787, 508286, 514045 AND TWO 1662

PART NO. DESCRIPTION

PART NO. DESCRIPTION



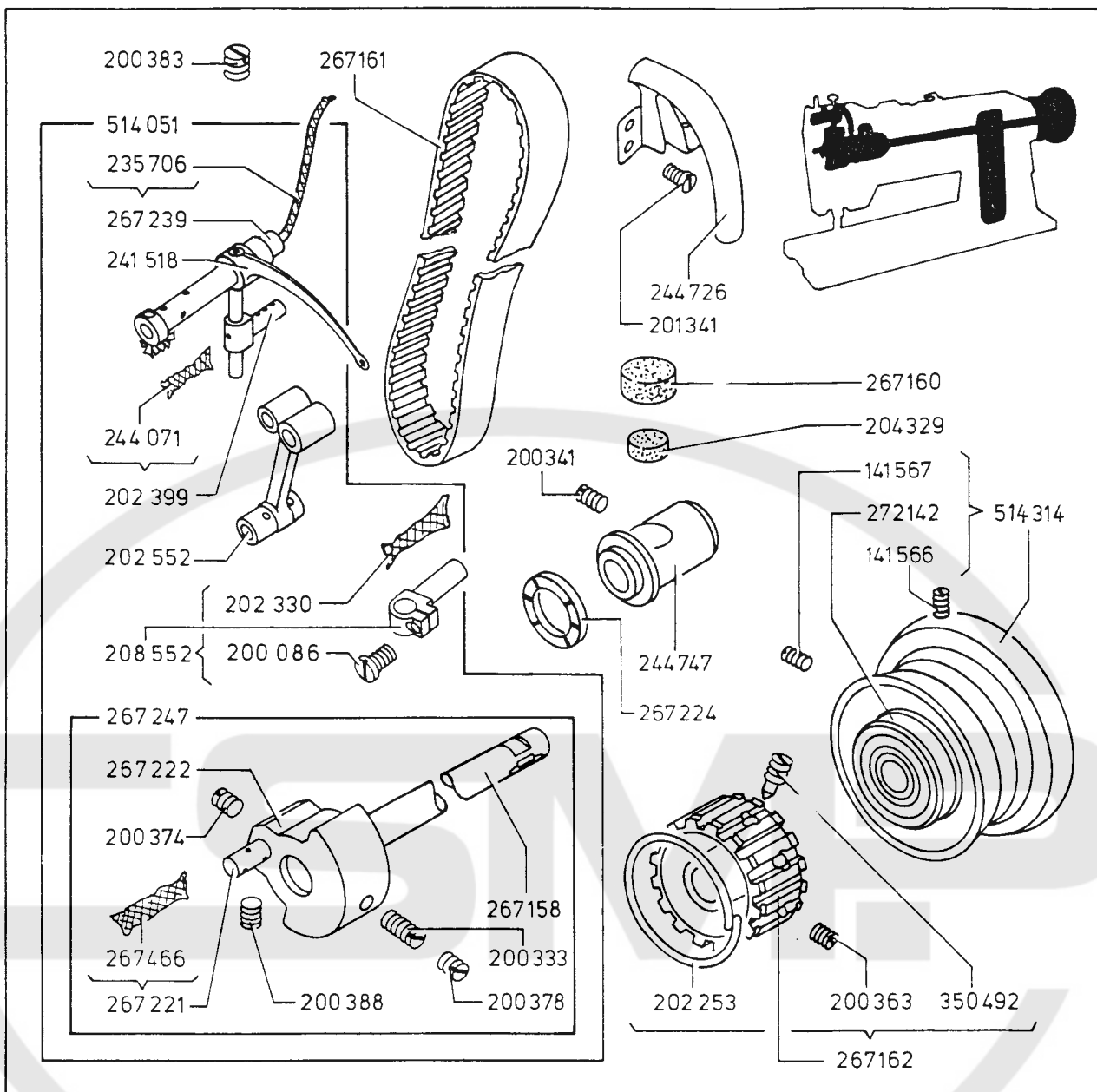
211G165-400-10870

000160-803	FEED DRIVING ECCENTRIC CONNECTION HINGE STUD SCREW
000458-830	FEED DRIVING ROCK SHAFT CRANK POSITION SCREW
200036-850	FEED DRIVING ROCK FRAME PINCH SCREW (2)
200106-833	FEED DOG SCREW (2)
200173-804	FEED LIFTING ECCENTRIC OILING FELT SCREW
454-850	FEED DRIVING ROCK SHAFT STOP COLLAR SET SCREW (4)
201220-833	FEED LIFTING ECCENTRIC SET SCREW
201518-805	FEED BAR HINGE SCREW NUT
508327	FEED DRIVING ROCK SHAFT STOP COLLAR (2) WITH TWO EACH 200383-850
223655-000	FEED LIFTING ECCENTRIC OILING FELT
225837-000	FEED LIFTING ECCENTRIC FORK SCREW WASHER
240147-000	FEED DOG
240223-000	FEED BAR
244707-000	FEED DRIVING ROCK FRAME WITH TWO 200036
264637-000	FEED LIFTING ECCENTRIC FORK WITH 200173 AND 223655
267031-000	FEED DRIVING ECCENTRIC CONNECTION

267032-000	FEED DRIVING ECCENTRIC CONNECTION CPL. NOS. 267031, 268063 AND 270653
267034-000	FEED DRIVING ECCENTRIC CONNECTION HINGE STUD
267182-000	FEED LIFTING ECCENTRIC WITH 201220
268063-000	FEED DRIVING ECCENTRIC CONNECTION NEEDLE BEARING
270653-000	FEED DRIVING ECCENTRIC CONNECTION HINGE STUD NEEDLE BEARING
350197-805	FEED LIFTING ECCENTRIC FORK SCREW
350393-803	FEED BAR HINGE SCREW
500242-850	FEED DRIVING ROCK SHAFT CRANK PINCH SCREW
508278-000	FEED DRIVING ROCK SHAFT CRANK CPL. NOS. 160, 458, 500242 AND 508301
508301-000	FEED DRIVING ROCK SHAFT CRANK
508485-000	FEED BAR CPL. NOS. 225837, 240223, 264637 AND 350197
514046-000	FEED DRIVING ROCK SHAFT
514064-000	FEED DRIVING ROCK SHAFT CPL. NOS. 201518, 244707, 350393, 508485 AND 514046

PART NO. DESCRIPTION

PART NO. DESCRIPTION



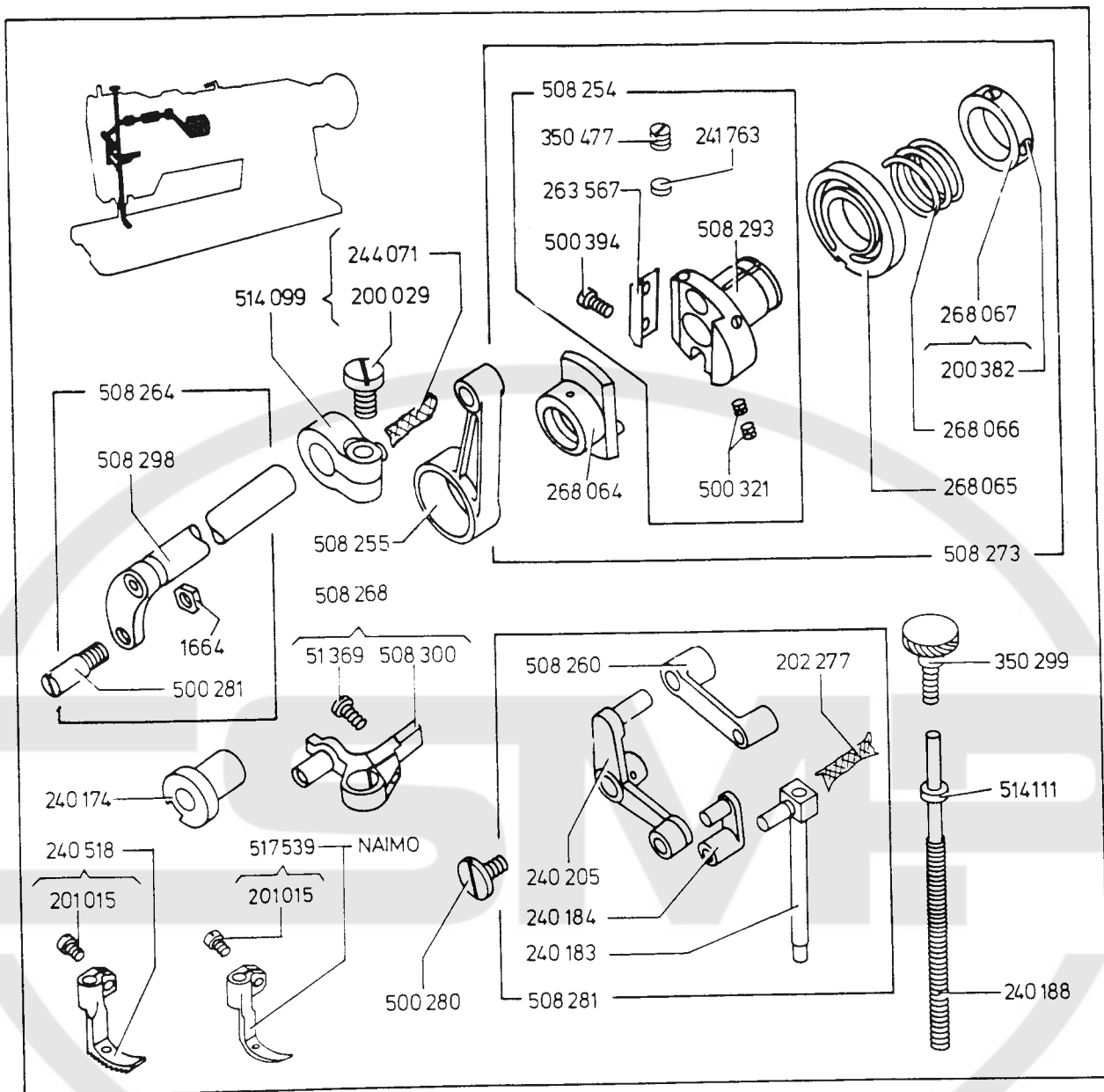
211G165-100-(0870)

141566-833	MACHINE PULLEY POSITION SCREW
141567-833	MACHINE PULLEY SET SCREW
200086-833	NEEDLE BAR CONNECTING STUD PINCH SCREW
200333-803	NEEDLE BAR CRANK POSITION SCREW
200341-803	ARM SHAFT BUSHING SET SCREW
200363-833	ARM SHAFT CONNECTION BELT PULLEY SET SCREW
200374-833	NEEDLE BAR CONNECTING UNK STUD SET SCREW
200378-850	NEEDLE BAR CRANK CHECK SCREW
200383-850	TAKE - UP LEVER HINGE STUD SET SCREW
200388-850	NEEDLE BAR CONNECTING LINK STUD SET SCREW
201341-803	TAKE - UP LEVER GUARD SCREW (3)
202253-000	ARM SHAFT CONNECTION BELT PULLEY SPRING FLANGE (2)
202330-000	NEEDLE BAR CONNECTING STUD WICK
202399-000	TAKE - UP LEVER DRIVING STUD WITH 244071
202552-000	NEEDLE BAR CONNECTING LINK
204329-000	ARM SHAFT BUSHING OIL PAD (FELT) (LOWER)
208552-000	NEEDLE BAR CONNECTING STUD WITH 200086 AND 202330
235706-000	TAKE - UP LEVER HINGE STUD OIL WICK
241518-000	TAKE - UP LEVER
244071-000	TAKE - UP LEVER DRIVING STUD OIL WICK

244726-000	TAKE - UP LEVER GUARD
244747-000	ARM SHAFT BUSHING (FRONT)
267158-000	ARM SHAFT
267160-000	ARM SHAFT BUSHING OIL PAD (FELT) (UPPER)
267161-000	ARM SHAFT CONNECTION BELT (REINFORCED NEOPRENE)
267162-000	ARM SHAFT CONNECTION BELT PULLEY WITH 200363, 350492 AND TWO 202253
267221-000	NEEDLE BAR CONNECTING LINK STUD WITH 267466
267222-000	NEEDLE BAR CRANK
267224-000	NEEDLE BAR CRANK FRICTION WASHER
267239-000	TAKE - UP LEVER HINGE STUD WITH 235706
267247-000	ARM SHAFT WITH 200333, 200374, 200378, 200388, 267158, 267221 AND 267222
267466-000	NEEDLE BAR CONNECTING LINK STUD WICK
272142-000	ARM SHAFT BALL BEARING (BACK)
350492-830	ARM SHAFT CONNECTION BELT PULLEY POSITION SCREW
514314-000	MACHINE PULLEY CPL. NOS. 141566, 141567 AND 272142
514051-000	ARM SHAFT CPL. NOS. 202399, 208552, 238251, 241518, 267239 AND 267247

PART NO. DESCRIPTION

PART NO. DESCRIPTION



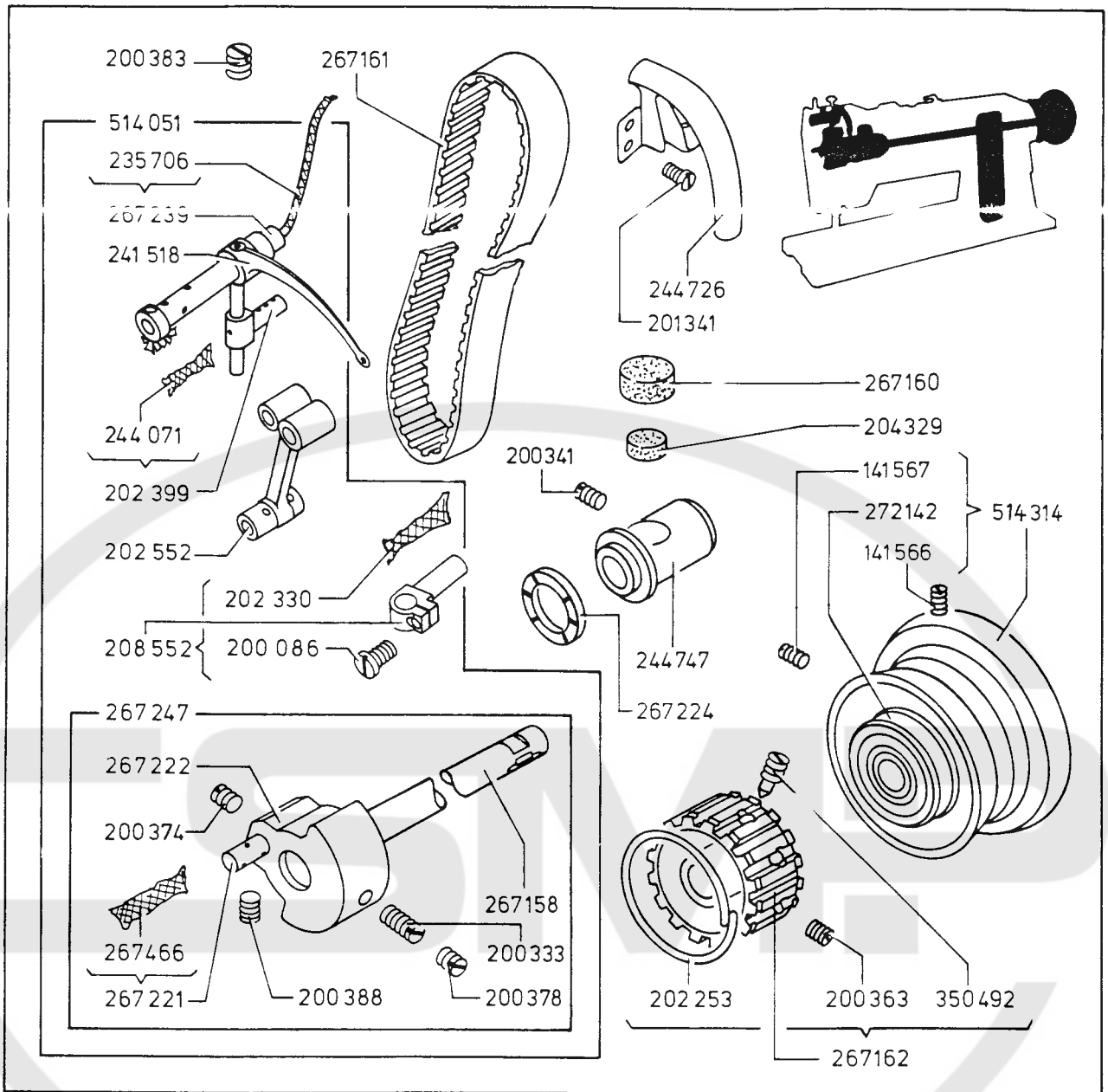
211G165-200-0870

001664-805	LIFTING BELL CRANK LINK SCREW STUD NUT
051369-803	PRESSER BAR LIFTER BRACKET PINCH SCREW
200029-805	LIFTING ECCENTRIC CONNECTION CRANK PINCH SCREW
200382-833	LIFTING ECCENTRIC ADJUSTING DISC SPRING COLLAR SET SCREW (2)
201015-850	VIBRATING PRESSER FOOT PINCH SCREW
202277-900	VIBRATING PRESSER BAR WICK
240174-300	LIFTING ROCK SHAFT BUSHING (2)
240183-000	VIBRATING PRESSER BAR
240184-100	VIBRATING PRESSER BAR CONNECTING LINK
240188-000	VIBRATING PRESSER BAR EXTENSION SPRING
240205-000	LIFTING BELL CRANK
240518-000	VIBRATING PRESSER FOOT WITH 201015
241763-000	LIFTING ECCENTRIC FRICTION PLATE SCREW SET SCREW PACKING BRASS (2)
244071-000	LIFTING ECCENTRIC CONNECTION CRANK OIL WICK
263567-000	LIFTING ECCENTRIC FRICTION PLATE
268064-000	LIFTING ECCENTRIC
268065-000	FEED DRIVING ECCENTRIC ADJUSTING DISC
268066-000	FEED DRIVING ECCENTRIC ADJUSTING DISC SPRING
268067-000	LIFTING ECCENTRIC ADJUSTING DISC SPRING COLLAR WITH TWO 200382

350299-803	VIBRATING PRESSER BAR THUMB SCREW (PRESSURE REGULATING)
350477-803	FEED DRIVING ECCENTRIC FRICTION PLATE SCREW SET SCREW (2)
500280-850	LIFTING BELL CRANK CAP SCREW
500281-000	LIFTING BELL CRANK LINK SCREW STUD
500321-869	LIFTING ECCENTRIC FLANGE HEXAGON SOCKET SCREW (4)
500394-850	LIFTING ECCENTRIC FRICTION PLATE SCREW (2)
508254-000	LIFTING ECCENTRIC FLANGE CPL. NOS. 263567, 508293, TWO EACH 241763, 350477, 500394 AND FOUR 500321
508255-000	LIFTING ECCENTRIC CONNECTION
508268-000	LIFTING BELL CRANK LINK
508264-000	LIFTING ROCK SHAFT CPL. NOS. 1664, 500281 AND 508298
508293-000	VIBRATING PRESSER BAR WITH BELL CRANK AND LIFTING BELL CRANK CPL. NOS. 202277, 240183, 240184, 240205 AND 508260
508298-000	LIFTING ECCENTRIC FLANGE
508300-000	LIFTING ROCK SHAFT
514099-000	PRESSER BAR LIFTER BRACKET
514111-000	LIFTING ECCENTRIC CONNECTION CRANK WITH 200029 AND 244071
517539	VIBRATING PRESSER BAR EXTENSION
	VIBRATING PRESSER FOOT WITH 201015 (NAIMO)

PART NO. DESCRIPTION

PART NO. DESCRIPTION



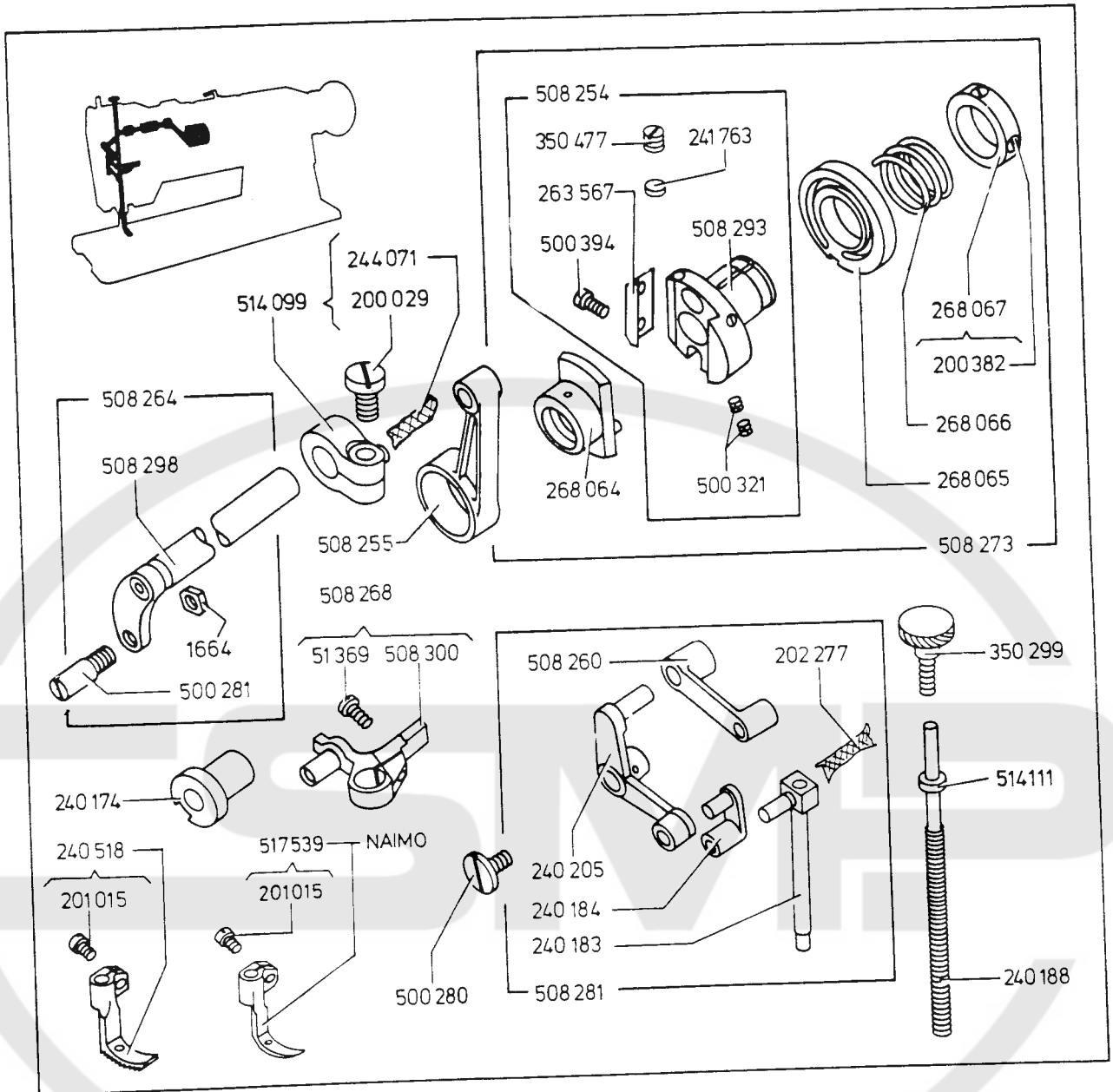
211G165-100-108701

141566-833	MACHINE PULLEY POSITION SCREW
141567-833	MACHINE PULLEY SET SCREW
200086-833	NEEDLE BAR CONNECTING STUD PINCH SCREW
200333-803	NEEDLE BAR CRANK POSITION SCREW
200341-803	ARM SHAFT BUSHING SET SCREW
200363-833	ARM SHAFT CONNECTION BELT PULLEY SET SCREW
200374-833	NEEDLE BAR CONNECTING UNK STUD SET SCREW
200378-850	NEEDLE BAR CRANK CHECK SCREW
200383-850	TAKE - UP LEVER HINGE STUD SET SCREW
200388-850	NEEDLE BAR CONNECTING LINK STUD SET SCREW
201341-803	TAKE - UP LEVER GUARD SCREW (3)
202253-000	ARM SHAFT CONNECTION BELT PULLEY SPRING FLANGE (2)
202330-000	NEEDLE BAR CONNECTING STUD WICK
202399-000	TAKE - UP LEVER DRIVING STUD WITH 244071
202552-000	NEEDLE BAR CONNECTING LINK
204329-000	ARM SHAFT BUSHING OIL PAD (FELT) (LOWER)
208552-000	NEEDLE BAR CONNECTING STUD WITH 200086 AND 202330
235706-000	TAKE - UP LEVER HINGE STUD OIL WICK
241518-000	TAKE - UP LEVER
244071-000	TAKE - UP LEVER DRIVING STUD OIL WICK

244726-000	TAKE - UP LEVER GUARD
244747-000	ARM SHAFT BUSHING (FRONT)
267158-000	ARM SHAFT
267160-000	ARM SHAFT BUSHING OIL PAD (FELT) (UPPER)
267161-000	ARM SHAFT CONNECTION BELT (REINFORCED NEOPRENE)
267162-000	ARM SHAFT CONNECTION BELT PULLEY WITH 200363, 350492 AND TWO 202253
267221-000	NEEDLE BAR CONNECTING LINK STUD WITH 267466
267222-000	NEEDLE BAR CRANK
267224-000	NEEDLE BAR CRANK FRICTION WASHER
267239-000	TAKE - UP LEVER HINGE STUD WITH 235706
267247-000	ARM SHAFT WITH 200333, 200374, 200378, 200388, 267158, 267221 AND 267222
267466-000	NEEDLE BAR CONNECTING LINK STUD WICK
272142-000	ARM SHAFT BALL BEARING (BACK)
350492-830	ARM SHAFT CONNECTION BELT PULLEY POSITION SCREW
514314-000	MACHINE PULLEY CPL. NOS. 141566, 141567 AND 272142
514051-000	ARM SHAFT CPL. NOS. 202399, 208552, 238251, 241518, 267239 AND 267247

PART NO. DESCRIPTION

PART NO. DESCRIPTION

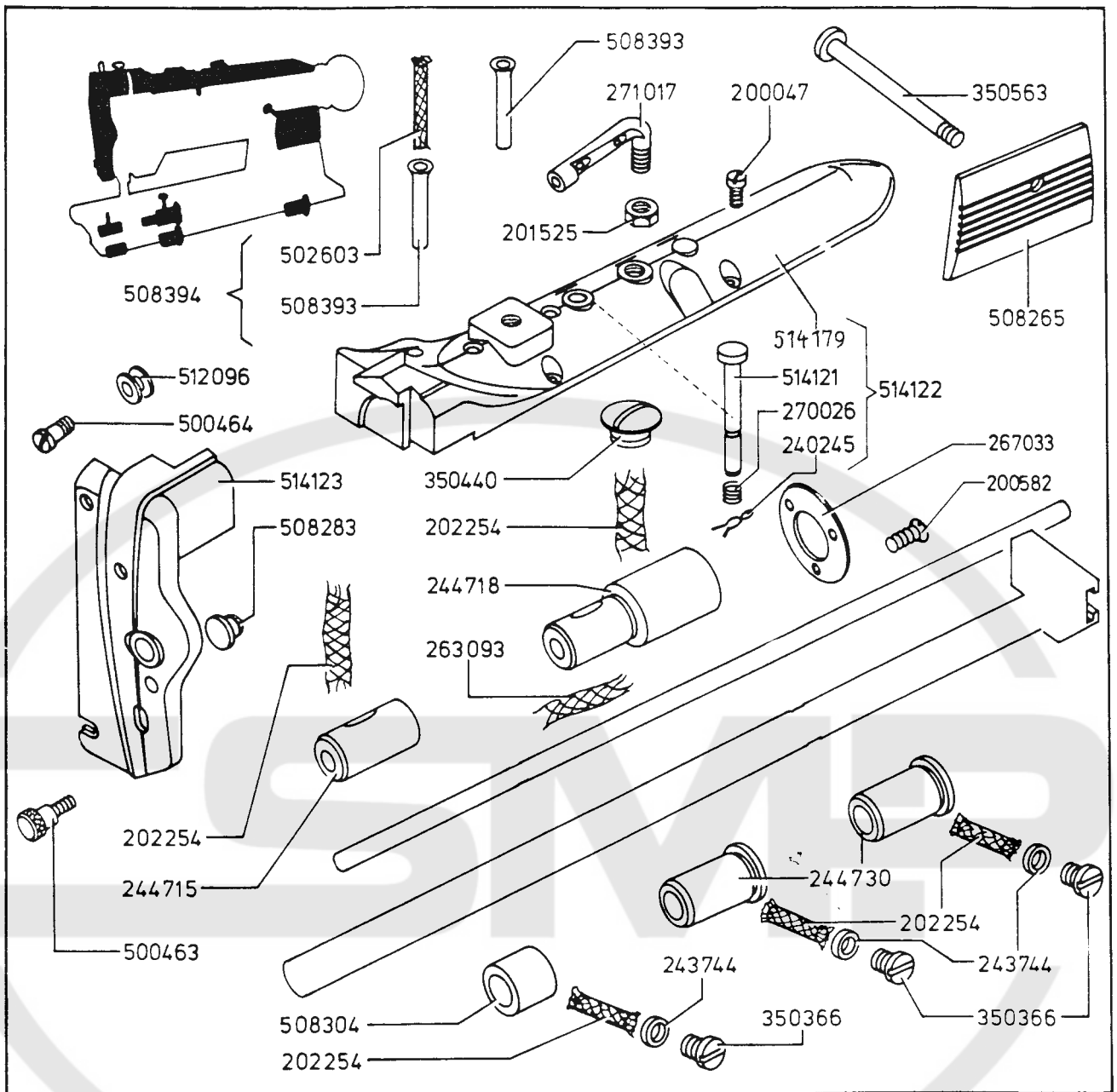


211G165-200-0870

001664-805	LIFTING BELL CRANK LINK SCREW STUD NUT	350299-803	VIBRATING PRESSER BAR THUMB SCREW (PRESSURE REGULATING)
001369-803	PRESSER BAR LIFTER BRACKET PINCH SCREW	350477-802	FEED DRIVING ECCENTRIC FRICTION PLATE SCREW SET SCREW 2
200029-805	LIFTING ECCENTRIC CONNECTION CRANK PINCH SCREW	500280-850	LIFTING BELL CRANK CAP SCREW
200382-833	LIFTING ECCENTRIC ADJUSTING DISC SPRING COLLAR	500281-000	LIFTING BELL CRANK LINK SCREW STUD
		500221-869	LIFTING ECCENTRIC FLANGE HEXAGON SOCKET SCREW (4)
		500294-850	LIFTING ECCENTRIC FRICTION PLATE SCREW 2
201015-850	VIBRATING PRESSER FOOT PINCH SCREW	508254-000	LIFTING ECCENTRIC FLANGE CPL. NOS. 263567, 508293, TWO EACH 241763, 350477, 500394 AND FOUR 500321
202277-000	VIBRATING PRESSER BAR WICK	508293-000	LIFTING ECCENTRIC CONNECTION
240174-000	LIFTING ROCK SHAFT BUSHING (2)	51369-000	LIFTING BELL CRANK LINK
240183-000	VIBRATING PRESSER BAR	508264-000	LIFTING BELL CRANK LINK SCREW NOS. 1664, 500281 AND 508298
240184-000	VIBRATING PRESSER BAR CONNECTING LINK	508300-000	VIBRATING PRESSER BAR WITH BELL CRANK AND LIFTING BELL CRANK CPL. NOS. 202277, 240183, 240184, 240205 AND 508260
240188-000	VIBRATING PRESSER BAR EXTENSION SPRING	514099-000	LIFTING ECCENTRIC FLANGE
240205-000	LIFTING BELL CRANK		LIFTING ROCK SHAFT
240518-000	VIBRATING PRESSER FOOT WITH 201015		PRESSER BAR LIFTER BRACKET
240518-000	VIBRATING PRESSER FOOT WITH 201015		LIFTING ECCENTRIC CONNECTION CRANK WITH 200029 AND 244071
241763-000	LIFTING ECCENTRIC FRICTION PLATE SCREW SET SCREW		VIBRATING PRESSER BAR EXTENSION
244071-000	PACKING (BRASS) (2)		VIBRATING PRESSER FOOT WITH 201015 (NAIMO)
263567-000	LIFTING ECCENTRIC CONNECTION CRANK OIL WICK		
268064-000	LIFTING ECCENTRIC FRICTION PLATE		
268065-000	LIFTING ECCENTRIC		
268066-000	FEED DRIVING ECCENTRIC ADJUSTING DISC		
268067-000	FEED DRIVING ECCENTRIC ADJUSTING DISC SPRING		
	LIFTING ECCENTRIC ADJUSTING DISC SPRING COLLAR		
	WITH TWO 200282		

PART NO. DESCRIPTION

PART NO. DESCRIPTION



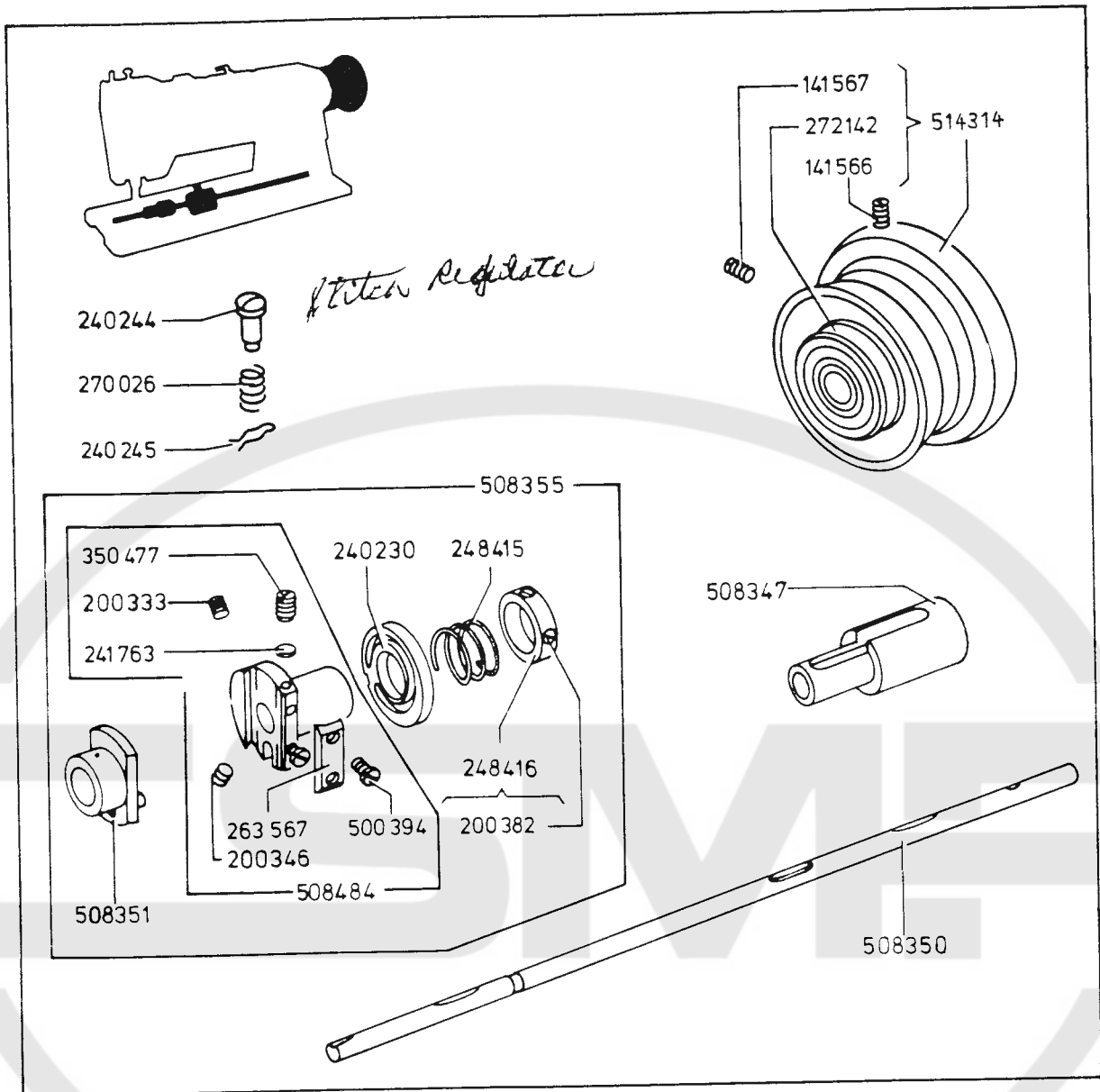
211G155-900-108701

200047-850	ARM COVER (TOP) SCREW (6)
200582-850	FEED DRIVING ECCENTRIC CONNECTION FRICTION WASHER SCREW (3)
201525-805	THREAD GUIDE (TOP OF ARM) LOCK NUT
202254	BED OIL WICK (5)
240245	UPPER FEED REGULATING RETAINING SPRING
243744	BED OIL STOP SCREW GASKET (3)
244715	HOOK DRIVING SHAFT BUSHING (LEFT)
244718	HOOK SADDLE BEARING (RIGHT)
244730	FEED DRIVING ROCK SHAFT BUSHING (CENTER AND BACK) (2)
263093	BED OIL WICK
267033	FEED DRIVING ECCENTRIC CONNECTION FRICTION WASHER
270026	UPPER FEED REGULATING SPRING
271017	THREAD GUIDE (TOP OF ARM)
350366-819	BED OIL STOP SCREW (3)

350440-819	BED OIL SCREW
350563-805	ARM COVER (SIDE) SCREW
500463	FACE PLATE CLAMPING SCREW
500464	FACE PLATE HINGE SCREW
502603	ARM COVER (TOP) OIL TUBE WICK
508265	ARM COVER (SIDE)
514-179	ARM COVER (TOP)
508283	FACE PLATE PLUG
508304	FEED DRIVING ROCK SHAFT BUSHING (FRONT)
508393	ARM COVER (TOP) OIL TUBE (2)
508394	ARM COVER (TOP) OIL TUBE WITH 502603 AND 508393
512096	FACE PLATE HINGE SCREW SPRING WASHER (2)
514121	UPPER FEED REGULATING STUD
514122	ARM COVER (TOP) CPL. NOS. 240245, 270026, 514-179 AND 514121.
514123	FACE PLATE

PART NO. DESCRIPTION

PART NO. DESCRIPTION



PARTS FOR MACHINE 211 G 166, 266

211 G 166, 266 - 910(1170)

141566-833 MACHINE PULLEY POSITION SCREW
 141567-833 MACHINE PULLEY SET SCREW
 200333-833 FEED DRIVING FLANGE POSITION SCREW
 200346-803 FEED DRIVING FLANGE SET SCREW
 200382-833 FEED DRIVING ECCENTRIC ADJUSTING DISC
 SPRING COLLAR SET SCREW (2)
 240230 FEED DRIVING ECCENTRIC ADJUSTING DISC
 240244 FEED REGULATING STUD
 240245 FEED REGULATING STUD RETAINING SPRING
 241763 FEED DRIVING ECCENTRIC FRICTION PLATE SCREW
 SET SCREW PACKING (BRASS) (2)
 248415 FEED DRIVING ECCENTRIC ADJUSTING DISC SPRING
 248416 FEED DRIVING ECCENTRIC ADJUSTING DISC SPRING
 COLLAR WITH TWO 200382
 263567 FEED DRIVING ECCENTRIC FRICTION PLATE

270026
 272142
 350477-803

500394-850

508347
 508350
 508351
 508355

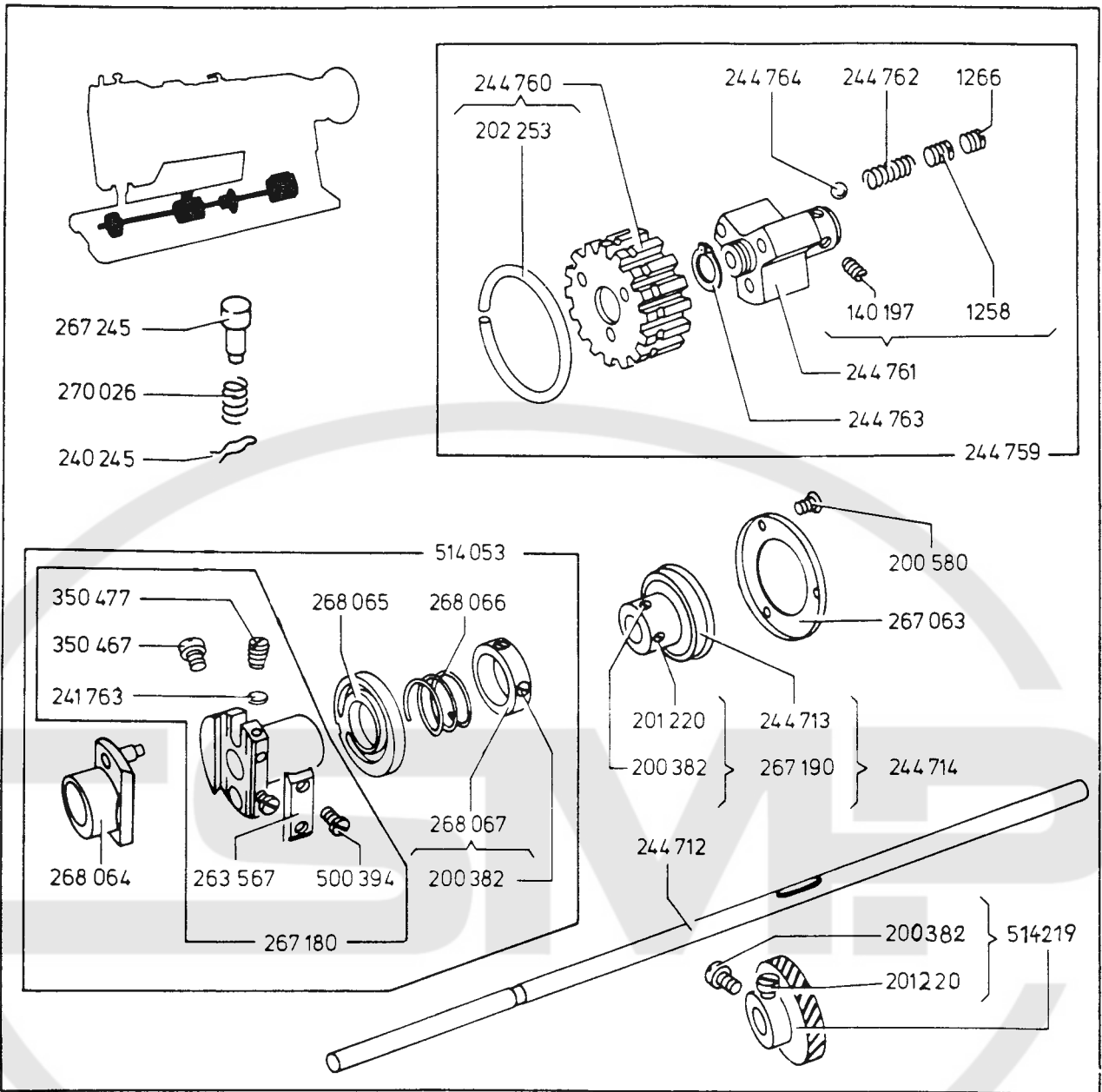
508484

514314

FEED REGULATING STUD SPRING
 ARM SHAFT BALL BEARING (BACK)
 FEED DRIVING ECCENTRIC FRICTION PLATE
 SCREW SET SCREW (2)
 FEED DRIVING ECCENTRIC FRICTION PLATE
 SCREW (2)
 HOOK SADDLE GEARING (RIGHT)
 HOOK DRIVING SHAFT
 FEED DRIVING ECCENTRIC
 FEED DRIVING ECCENTRIC CPL. NOS. 240230, 248415,
 248416, 267180 AND 508351
 FEED DRIVING FLANGE WITH 200333, 200346, 263567
 AND TWO EACH 241763, 350477 AND 500394
 MACHINE PULLEY CPL. NOS. 141566, 141567 AND
 272142

PART NO. DESCRIPTION

PART NO. DESCRIPTION

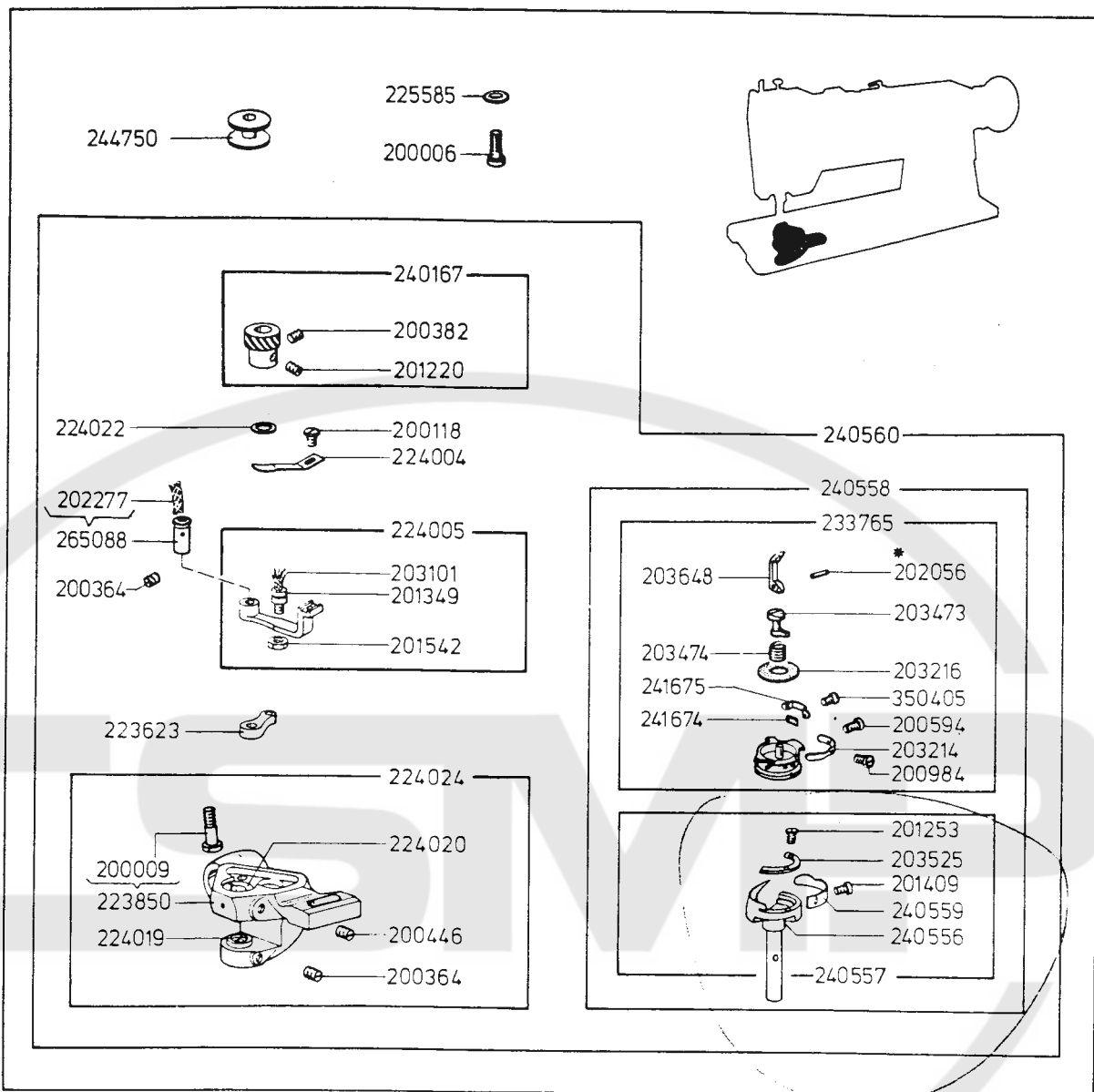


211G165-50G-10870

001258-830	SAFETY CLUTCH OVER LOAD PULLEY ADJUSTING SCREW (3)	244762	SAFETY CLUTCH DRIVING BALL SPRING (3)
001266-833	SAFETY CLUTCH OVER LOAD PULLEY ADJUSTING SCREW LOCK SCREW (3)	244763	SAFETY CLUTCH OVER LOAD PULLEY RETAINING RING
140197-830	SAFETY CLUTCH OVER LOAD PULLEY SET SCREW (2)	244764	SAFETY CLUTCH DRIVING BALL 7/32 in. DIAMETER (3)
200382-833	HOOK DRIVING PINION SET SCREW	263567	FEED DRIVING ECCENTRIC FRICTION PLATE
200382-833	FEED DRIVING ECCENTRIC ADJUSTING DISC SPRING COLLAR SET SCREW (2)	267063	HOOK DRIVING SHAFT BALL BEARING RETAINING WASHER
200580-819	HOOK DRIVING SHAFT BALL BEARING RETAINING WASHER SCREW (3)	267180	FEED DRIVING FLANGE WITH 263567 AND TWO EACH 350467, 350477, 241763 AND 500394
201220-833	HOOK DRIVING PINION POSITION SCREW	267190	HOOK DRIVING SHAFT BALL BEARING COLLAR WITH 200382 AND 201220
200382-830	HOOK DRIVING GEAR SET SCREW	267245	FEED REGULATING STUD
201210-803	HOOK DRIVING GEAR POSITION SCREW	268064	FEED DRIVING ECCENTRIC
202253	SAFETY CLUTCH BELT PULLEY SPRING FLANGE	268065	FEED DRIVING ECCENTRIC ADJUSTING DISC
240245	FEED REGULATING STUD RETAINING SPRING	268066	FEED DRIVING ECCENTRIC ADJUSTING DISC SPRING
241763	FEED DRIVING ECCENTRIC FRICTION PLATE SCREW SET SCREW PACKING (brass) (2)	268067	FEED DRIVING ECCENTRIC ADJUSTING DISC SPRING COLLAR WITH TWO 200382
244712	HOOK DRIVING SHAFT	270026	FEED REGULATING STUD SPRING
244713	HOOK DRIVING SHAFT BALL BEARING	350467-803	FEED DRIVING FLANGE SET SCREW (2)
244714	HOOK DRIVING SHAFT BALL BEARING COLLAR CPL. NOS. 244713 AND 267190	350477-803	FEED DRIVING ECCENTRIC FRICTION PLATE SCREW SET SCREW (2)
244759	SAFETY CLUTCH CPL. NOS. 244760, 244761, 244763 AND THREE EACH 1266, 244762 AND 244764	500394-850	FEED DRIVING ECCENTRIC FRICTION PLATE SCREW (2)
244760	SAFETY CLUTCH BELT PULLEY WITH 202253	514219	HOOK DRIVING GEAR WITH 201254 AND 201421
244761	SAFETY CLUTCH OVER LOAD PULLEY WITH TWO 140197 AND THREE 1258	514053	FEED DRIVING ECCENTRIC CPL. NOS. 267180, 268064, 268065, 268066 AND 268067

PART NO. DESCRIPTION

PART NO. DESCRIPTION



PARTS MARKED WITH AN ASTERISK (*) ARE FURNISHED ONLY WHEN REPAIRS ARE MADE AT THE FACTORY.

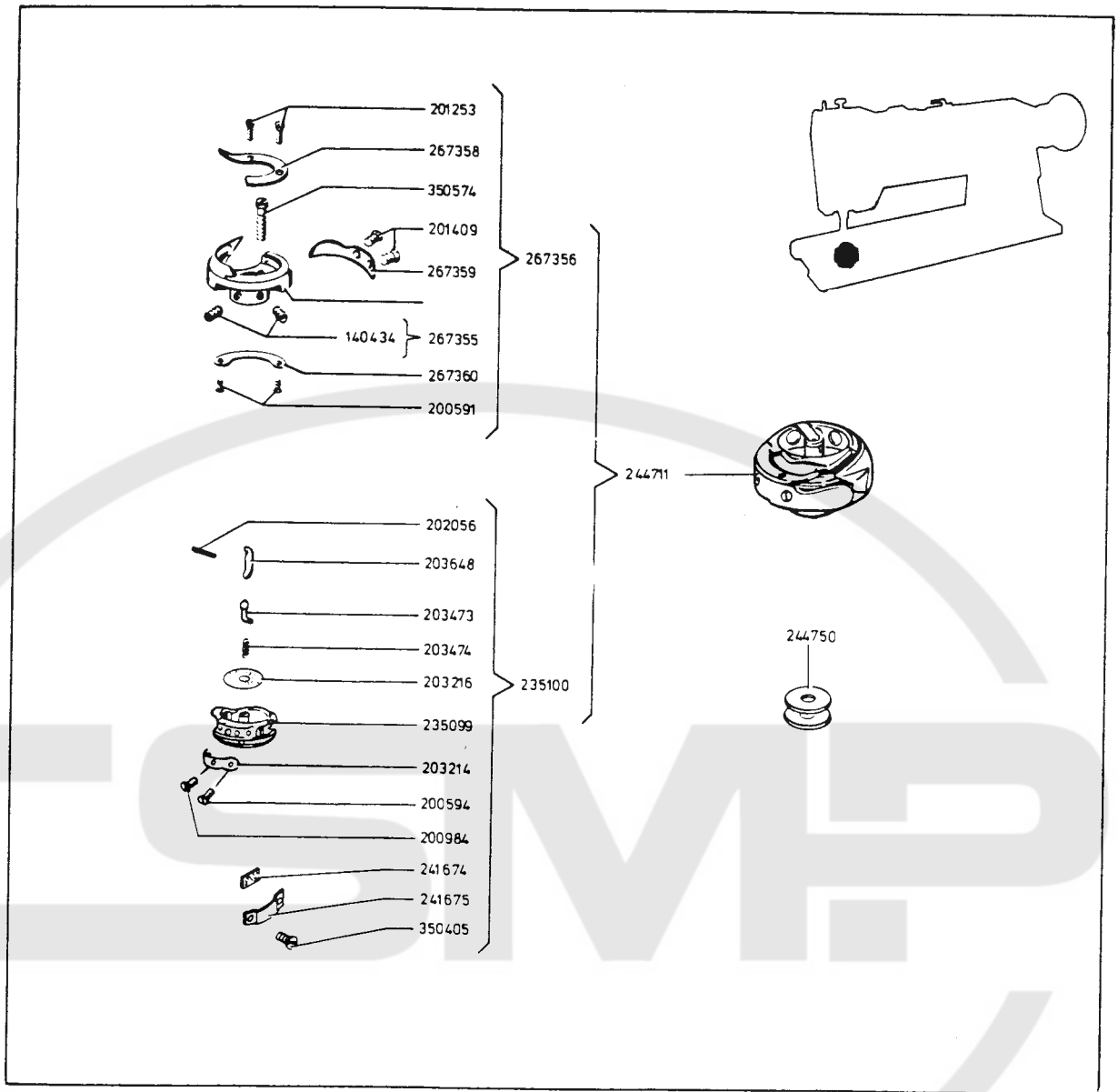
211G165-000-0870

200006-805	HOOK SADDLE SCREW
200009-805	HOOK SADDLE PINCH SCREW
200118-804	BOBBIN CASE OPENER SCREW
200364-830	HOOK BUSHING (LOWER) SET SCREW
200364-830	BOBBIN CASE OPENER LEVER HINGE STUD SET SCREW
200382-833	HOOK DRIVING PINION SET SCREW
200446-803	HOOK BUSHING (UPPER) POSITION SCREW
200594-805	BOBBIN CASE TENSION SPRING SCREW
200984-830	BOBBIN CASE TENSION SPRING REGULATING SCREW
201220-833	HOOK DRIVING PINION POSITION SCREW
201253-806	HOOK GIB SCREW (2)
201349-803	BOBBIN CASE OPENER LEVER DRIVING SCREW STUD
201409-806	HOOK NEEDLE GUARD SCREW (2)
201542-803	BOBBIN CASE OPENER LEVER DRIVING SCREW STUD NUT
202056-000	BOBBIN CASE LATCH PIN
202277-000	HINGE STUD OIL PACKING WICK
203101-000	BOBBIN CASE OPENER LEVER DRIVING SCREW STUD NUT OIL PACKING WICK
203214-000	BOBBIN CASE TENSION SPRING
203216-000	BOBBIN CASE WASHER
203473-000	BOBBIN CASE LATCH PLUNGER
203474-000	BOBBIN CASE LATCH SPRING
203525-000	HOOK GIB
203648-000	BOBBIN CASE LATCH
223623-000	BOBBIN CASE OPENER LEVER LINK
223850-000	HOOK SADDLE WITH 200009

224004-000	BOBBIN CASE OPENER
224005-000	BOBBIN CASE OPENER LEVER WITH 201349, 201542 AND 203101.
224019	HOOK BUSHING (LOWER)
224020	HOOK BUSHING (UPPER)
224022-000	HOOK DRIVING PINION THRUST WASHER
224024-000	HOOK SADDLE CPL. NOS. 200364, 200446, 223850, 224019 AND 224020.
225585-000	HOOK SADDLE SCREW WASHER
233765-000	BOBBIN CASE CPL. NOS. 200594, 200984, 202056, 203214, 203216, 203473, 203474, 203648, 241674, 241675 AND TWO 350405
240167-000	HOOK DRIVING PINION WITH 200382 AND 201220
240556-000	HOOK WASHER
240557-000	HOOK CPL. NOS. 203525, 240556, 240559, TWO EACH 201253 AND 201409
240558-000	HOOK AND BOBBIN CASE CPL. NOS. 233765 AND 240557
240559-000	HOOK NEEDLE GUARD
240560-000	HOOK SADDLE CPL. NOS. 200118, 200364, 223623, 224004, 224005, 224022, 224024, 240167, 240558 AND 265088.
241674-000	BOBBIN CASE CILING FELT
241675-000	BOBBIN CASE CILING FELT RETAINER
244750-000	BOBBIN (3)
265088-000	BOBBIN CASE OPENER LEVER HINGE STUD WITH 202277
350405-803	BOBBIN CASE CILING FELT RETAINER SCREW (2)

PART NO.	DESCRIPTION	PART NO.	DESCRIPTION
----------	-------------	----------	-------------

1	0-514227-000	HOOK SADDLE CPL.NOS. 200061, 200089 , 200135, 200374, 200378, 200388, 244084, 244704, 267053, 267166, 267167, 267200, 267212, 267365, 350564, 500246, 514164, 514168, 514171, 514173, 514174, 514213 AND 514218
2	0-514164-000	HOOK SADDLE (RIGHT) CPL. NOS.200185, 267370, 267371, 512727, 514165, 514166 AND 514215
3	0-200185-850	HOOK SADDLE OIL STOP SCREW
4	0-267370-000	BOBBIN CASE OPENER DRIVING CAM SHAFT BUSHING (LOWER)
5	0-267371-000	BOBBIN CASE OPENER DRIVING CAM SHAFT BUSHING (UPPER)
6	0-512727-000	HOOK SADDLE (RIGHT) OIL WICK
7	0-514165-000	HOOK SADDLE(RIGHT) FOAM CUSHION
8	0-514166-000	HOOK SHAFT BUSHING
9	0-514215-000	HOOK SADDLE OIL GAUGE SLEEVE WITH 267277
10	0-267277-000	HOOK SADDLE OIL STRAINER
11	0-350564-805	HOOK SADDLE OIL REGULATING SCREW
12	0-244084-000	FEED DRIVING ROCK SHAFT BUSHING
13	0-200378-850	HOOK SADDLE OIL REGULATING SCREW CHECK SCREW
14	0-500246-850	HOOK SADDLE COVER PLATE SCREW (4)
15	0-514171-000	HOOK SADDLE COVER PLATE (RIGHT)
16	0-200374-833	BOBBIN CASE OPENER CRANK
17	0-200388-850	BOBBIN CASE OPENER CRANK HINGE STUD
18	0-267212-000	HOOK SADDLE OIL RESERVOIR GASKET
19	0-267200-000	HOOK SADDLE OIL RESERVOIR (RIGHT)
20	0-200061-833	HOOK SADDLE OIL RESERVOIR SCREW
21	0-514174-000	HOOK SHAFT CPL.NOS. 270880 AND 267061
22	0-270880-000	HOOK SHAFT OIL WICK
23	0-267061-000	HOOK SHAFT OIL WICK HOLDER
24	0-200089-850	HOOK BALL BEARING SCREW (2)
25	0-267053-000	HOOK BALL BEARING
26	0-514173-000	HOOK BALL BEARING RETAINER (2)
27	0-512077-000	HOOK SADDLE OIL GAUGE PIN
28	0-514168-000	HOOK SADDLE OIL GAUGE WITH 271808
29	0-271808-000	HOOK SADDLE OIL GAUGE SEAL
30	0-200135-850	BOBBIN CASE OPENER LINK CAP SCREW (2)
31	0-267166-000	BOBBIN CASE OPENR CRANK
32	0-200135-850	BOBBIN CASE OPENER LINK CAP SCREW (2)
33	0-514213-000	BOBBIN CASE OPENER LINK (RIGHT)
34	0-267167-000	BOBBIN CASE OPENER CRANK HINGE STUD (RIGHT)
35	0-244704-000	BOBBIN CASE OPENER CAM SHAFT
36	0-267365-000	BOBBIN CASE OPENER DRIVING CAM SHAFT GEAR (SIRAL) WITH TWO 350595
37	0-350595-869	BOBBIN CASE OPENER DRIVING CAM SHAFT GEAR SET SCREW (2)
38	0-514218-000	HOOK DRIVING PINION (SPIRAL) WITH TWO 350595
39	0-350595-869	BOBBIN CASE OPENER DRIVING CAM SHAFT GEAR SET SCREW (2)
40	0-267140-000	PINCH SLEEVE (UPPER)
41	0-267139-000	PINCH SLEEVE(LOWER)
42	0-200001-000	SCREW
43	0-225585-000	WASHER
44	0-200006-000	HOOK SADDLE SCREW



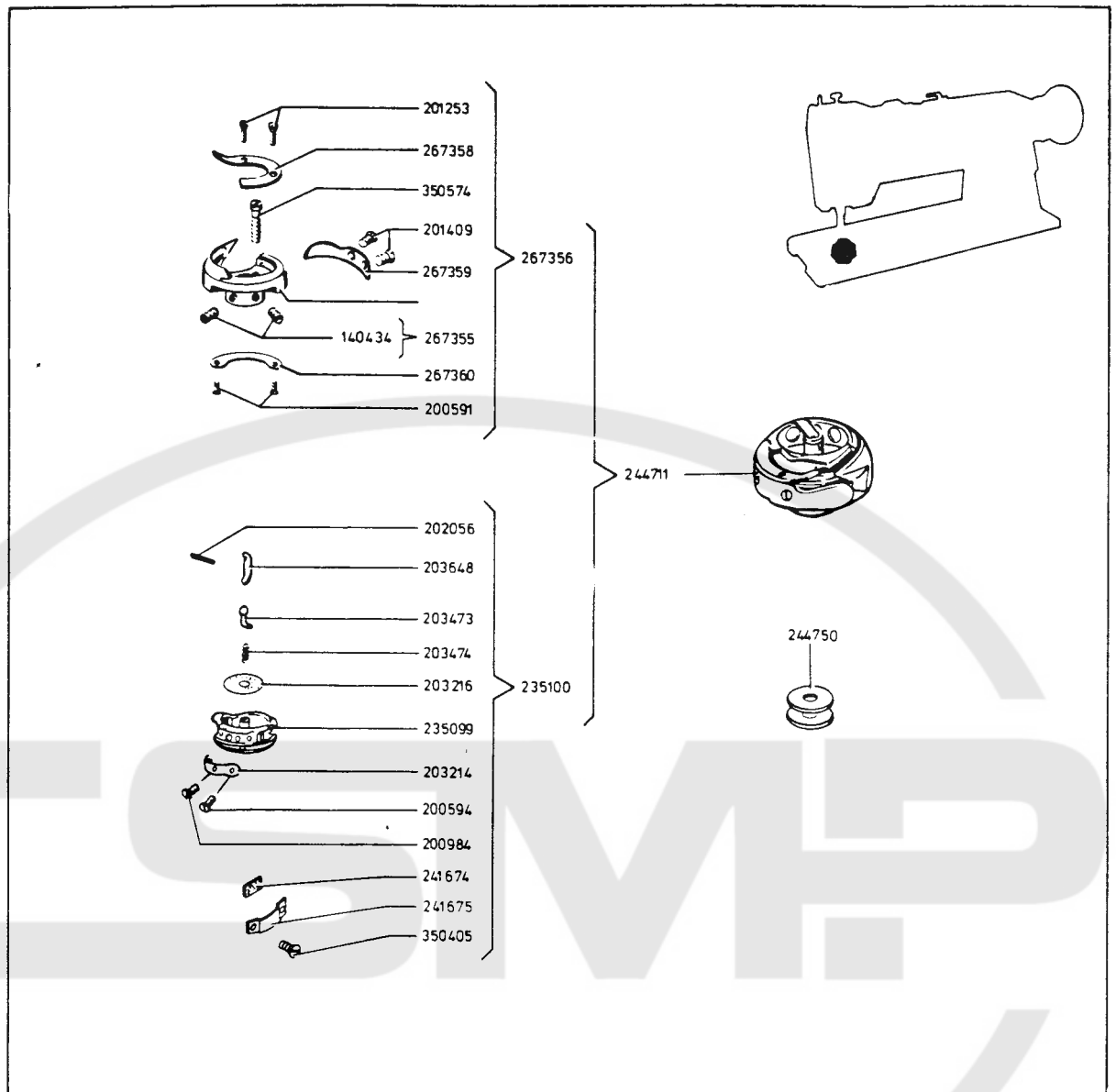
140434-869	HOOK SET SCREW (2)
200591-850	THREAD GUARD SCREW (2)
200594-805	BOBBIN CASE TENSION SPRING SCREW
200984-830	BOBBIN CASE TENSION SPRING REGULATING SCREW
201253-833	HOOK GIB SCREW (2)
201409-850	HOOK NEEDLE GUARD SCREW (2)
202056	BOBBIN CASE LATCH PIN
203214	BOBBIN CASE TENSION SPRING
203216	BOBBIN CASE WASHER (CLOTH)
203473	BOBBIN CASE LATCH PLUNGER
203474	BOBBIN CASE LATCH SPRING
203648	BOBBIN CASE LATCH
235099	BOBBIN CASE

235100	BOBBIN CASE CPL. NOS: 200594, 200984, 202056, 203214, 203216, 203473, 203474, 203648, 235099, 241674, 241675 AND TWO 350405
241674	BOBBIN CASE OILING FELT
241675	BOBBIN CASE OILING FELT
244711	BOBBIN CASE OILING FELT RETAINER
244750	HOOK AND BOBBIN CASE CPL. NOS. 235100 AND 267356
267355	BOBBIN
267356	HOOK (SEWING) WITH TWO 140434
267359	HOOK CPL. NOS. 267355, 267359, 267360, 350574, TWO 200591, TWO 201253 AND TWO 201409
267360	HOOK NEEDLE GUARD
350405-850	HOOK THREAD GUARD
350574-806	BOBBIN CASE OILING FELT RETAINER SCREW (2)
	HOOK HEIGHT ADJUSTING SCREW

PART NO. DESCRIPTION

PART NO. DESCRIPTION

1	0-514227-000	HOOK SADDLE CPL.NOS. 200061, 200089, 200135, 200374, 200378, 200388, 244084, 244704, 267053, 267166, 267167, 267200, 267212, 267365, 350564, 500246, 514164, 514168, 514171, 514173, 514174, 514213 AND 514218
2	0-514164-000	HOOK SADDLE (RIGHT) CPL. NOS. 200185, 267370, 267371, 512727, 514165, 514166 AND 514215
3	0-200185-850	HOOK SADDLE OIL STOP SCREW
4	0-267370-000	BOBBIN CASE OPENER DRIVING CAM SHAFT BUSHING (LOWER)
5	0-267371-000	BOBBIN CASE OPENER DRIVING CAM SHAFT BUSHING (UPPER)
6	0-512727-000	HOOK SADDLE (RIGHT) OIL WICK
7	0-514165-000	HOOK SADDLE(RIGHT) FOAM CUSHION
8	0-514166-000	HOOK SHAFT BUSHING
9	0-514215-000	HOOK SADDLE OIL GAUGE SLEEVE WITH 267277
10	0-267277-000	HOOK SADDLE OIL STRAINER
11	0-350564-805	HOOK SADDLE OIL REGULATING SCREW
12	0-244084-000	FEED DRIVING ROCK SHAFT BUSHING
13	0-200378-850	HOOK SADDLE OIL REGULATING SCREW CHECK SCREW
14	0-500246-850	HOOK SADDLE COVER PLATE SCREW (4)
15	0-514171-000	HOOK SADDLE COVER PLATE (RIGHT)
16	0-200374-833	BOBBIN CASE OPENER CRANK
17	0-200388-850	BOBBIN CASE OPENER CRANK HINGE STUD
18	0-267212-000	HOOK SADDLE OIL RESERVOIR GASKET
19	0-267200-000	HOOK SADDLE OIL RESERVOIR (RIGHT)
20	0-200061-833	HOOK SADDLE OIL RESERVOIR SCREW
21	0-514174-000	HOOK SHAFT CPL.NOS. 270880 AND 267061
22	0-270880-000	HOOK SHAFT OIL WICK
23	0-267061-000	HOOK SHAFT OIL WICK HOLDER
24	0-200089-850	HOOK BALL BEARING SCREW (2)
25	0-267053-000	HOOK BALL BEARING
26	0-514173-000	HOOK BALL BEARING RETAINER (2)
27	0-512077-000	HOOK SADDLE OIL GAUGE PIN
28	0-514168-000	HOOK SADDLE OIL GAUGE WITH 271808
29	0-271808-000	HOOK SADDLE OIL GAUGE SEAL
30	0-200135-850	BOBBIN CASE OPENER LINK CAP SCREW (2)
31	0-267166-000	BOBBIN CASE OPENER CRANK
32	0-200135-850	BOBBIN CASE OPENER LINK CAP SCREW (2)
33	0-514213-000	BOBBIN CASE OPENER LINK (RIGHT)
34	0-267167-000	BOBBIN CASE OPENER CRANK HINGE STUD (RIGHT)
35	0-244704-000	BOBBIN CASE OPENER CAM SHAFT
36	0-267365-000	BOBBIN CASE OPENER DRIVING CAM SHAFT GEAR (SIRAL) WITH TWO 350595
37	0-350595-869	BOBBIN CASE OPENER DRIVING CAM SHAFT GEAR SET SCREW (2)
38	0-514218-000	HOOK DRIVING PINION (SPIRAL) WITH TWO 350595
39	0-350595-869	BOBBIN CASE OPENER DRIVING CAM SHAFT GEAR SET SCREW (2)
40	0-267140-000	PINCH SLEEVE (UPPER)
41	0-267139-000	PINCH SLEEVE(LOWER)
42	0-200001-000	SCREW
43	0-225585-000	WASHER
44	0-200006-000	HOOK SADDLE SCREW



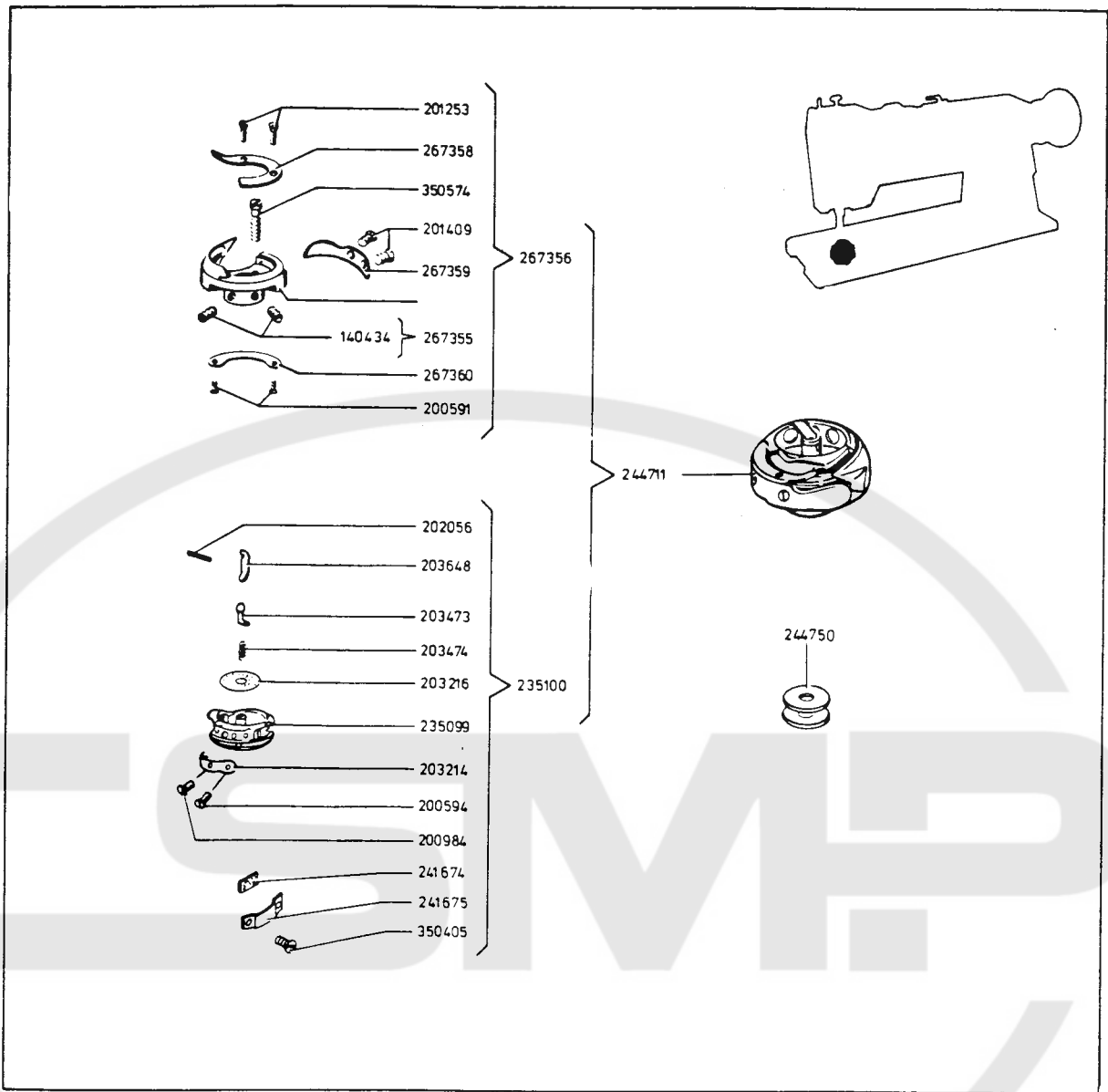
140434-869	HOOK SET SCREW (2)
200591-850	THREAD GUARD SCREW (2)
200594-805	BOBBIN CASE TENSION SPRING SCREW
200984-830	BOBBIN CASE TENSION SPRING REGULATING SCREW
201253-833	HOOK GIB SCREW (2)
201409-850	HOOK NEEDLE GUARD SCREW (2)
202056	BOBBIN CASE LATCH PIN
203214	BOBBIN CASE TENSION SPRING
203216	BOBBIN CASE WASHER (CLOTH)
203473	BOBBIN CASE LATCH PLUNGER
203474	BOBBIN CASE LATCH SPRING
203648	BOBBIN CASE LATCH
235099	BOBBIN CASE

235100	BOBBIN CASE CPL. NOS. 200594, 200984, 202056, 203214, 203216, 203473, 203474, 203648, 235099, 241674, 241675 AND TWO 350405
241674	BOBBIN CASE OILING FELT
241675	BOBBIN CASE OILING FELT RETAINER
244711	HOOK AND BOBBIN CASE CPL. NOS. 235100 AND 267356
244750	BOBBIN
267355	HOOK (SEWING) WITH TWO 140434
267356	HOOK CPL. NOS. 267355, 267358, 267359, 267360, 350574, TWO 200591, TWO 201253 AND TWO 201409
267359	HOOK NEEDLE GUARD
267360	HOOK THREAD GUARD
350405-850	BOBBIN CASE OILING FELT RETAINER SCREW (2)
350574-806	HOOK HEIGHT ADJUSTING SCREW

PART NO. DESCRIPTION

PART NO. DESCRIPTION

1	0-514227-000	HOOK SADDLE CPL.NOS. 200061, 200089 , 200135, 200374, 200378, 200388, 244084, 244704, 267053, 267166, 267167, 267200, 267212, 267365, 350564, 500246, 514164, 514168, 514171, 514173, 514174, 514213 AND 514218
2	0-514164-000	HOOK SADDLE (RIGHT) CPL. NOS. 200185, 267370, 267371, 512727, 514165, 514166 AND 514215
3	0-200185-850	HOOK SADDLE OIL STOP SCREW
4	0-267370-000	BOBBIN CASE OPENER DRIVING CAM SHAFT BUSHING (LOWER)
5	0-267371-000	BOBBIN CASE OPENER DRIVING CAM SHAFT BUSHING (UPPER)
6	0-512727-000	HOOK SADDLE (RIGHT) OIL WICK
7	0-514165-000	HOOK SADDLE(RIGHT) FOAM CUSHION
8	0-514166-000	HOOK SHAFT BUSHING
9	0-514215-000	HOOK SADDLE OIL GAUGE SLEEVE WITH 267277
10	0-267277-000	HOOK SADDLE OIL STRAINER
11	0-350564-805	HOOK SADDLE OIL REGULATING SCREW
12	0-244084-000	FEED DRIVING ROCK SHAFT BUSHING
13	0-200378-850	HOOK SADDLE OIL REGULATING SCREW CHECK SCREW
14	0-500246-850	HOOK SADDLE COVER PLATE SCREW (4)
15	0-514171-000	HOOK SADDLE COVER PLATE (RIGHT)
16	0-200374-833	BOBBIN CASE OPENER CRANK
17	0-200388-850	BOBBIN CASE OPENER CRANK HINGE STUD
18	0-267212-000	HOOK SADDLE OIL RESERVOIR GASKET
19	0-267200-000	HOOK SADDLE OIL RESERVOIR (RIGHT)
20	0-200061-833	HOOK SADDLE OIL RESERVOIR SCREW
21	0-514174-000	HOOK SHAFT CPL.NOS. 270880 AND 267061
22	0-270880-000	HOOK SHAFT OIL WICK
23	0-267061-000	HOOK SHAFT OIL WICK HOLDER
24	0-200089-850	HOOK BALL BEARING SCREW (2)
25	0-267053-000	HOOK BALL BEARING
26	0-514173-000	HOOK BALL BEARING RETAINER (2)
27	0-512077-000	HOOK SADDLE OIL GAUGE PIN
28	0-514168-000	HOOK SADDLE OIL GAUGE WITH 271808
29	0-271808-000	HOOK SADDLE OIL GAUGE SEAL
30	0-200135-850	BOBBIN CASE OPENER LINK CAP SCREW (2)
31	0-267166-000	BOBBIN CASE OPENR CRANK
32	0-200135-850	BOBBIN CASE OPENER LINK CAP SCREW (2)
33	0-514213-000	BOBBIN CASE OPENER LINK (RIGHT)
34	0-267167-000	BOBBIN CASE OPENER CRANK HINGE STUD (RIGHT)
35	0-244704-000	BOBBIN CASE OPENER CAM SHAFT
36	0-267365-000	BOBBIN CASE OPENER DRIVING CAM SHAFT GEAR (SIRAL) WITH TWO 350595
37	0-350595-869	BOBBIN CASE OPENER DRIVING CAM SHAFT GEAR SET SCREW (2)
38	0-514218-000	HOOK DRIVING PINION (SPIRAL) WITH TWO 350595
39	0-350595-869	BOBBIN CASE OPENER DRIVING CAM SHAFT GEAR SET SCREW (2)
40	0-267140-000	PINCH SLEEVE (UPPER)
41	0-267139-000	PINCH SLEEVE(LOWER)
42	0-200001-000	SCREW
43	0-225585-000	WASHER
44	0-200006-000	HOOK SADDLE SCREW

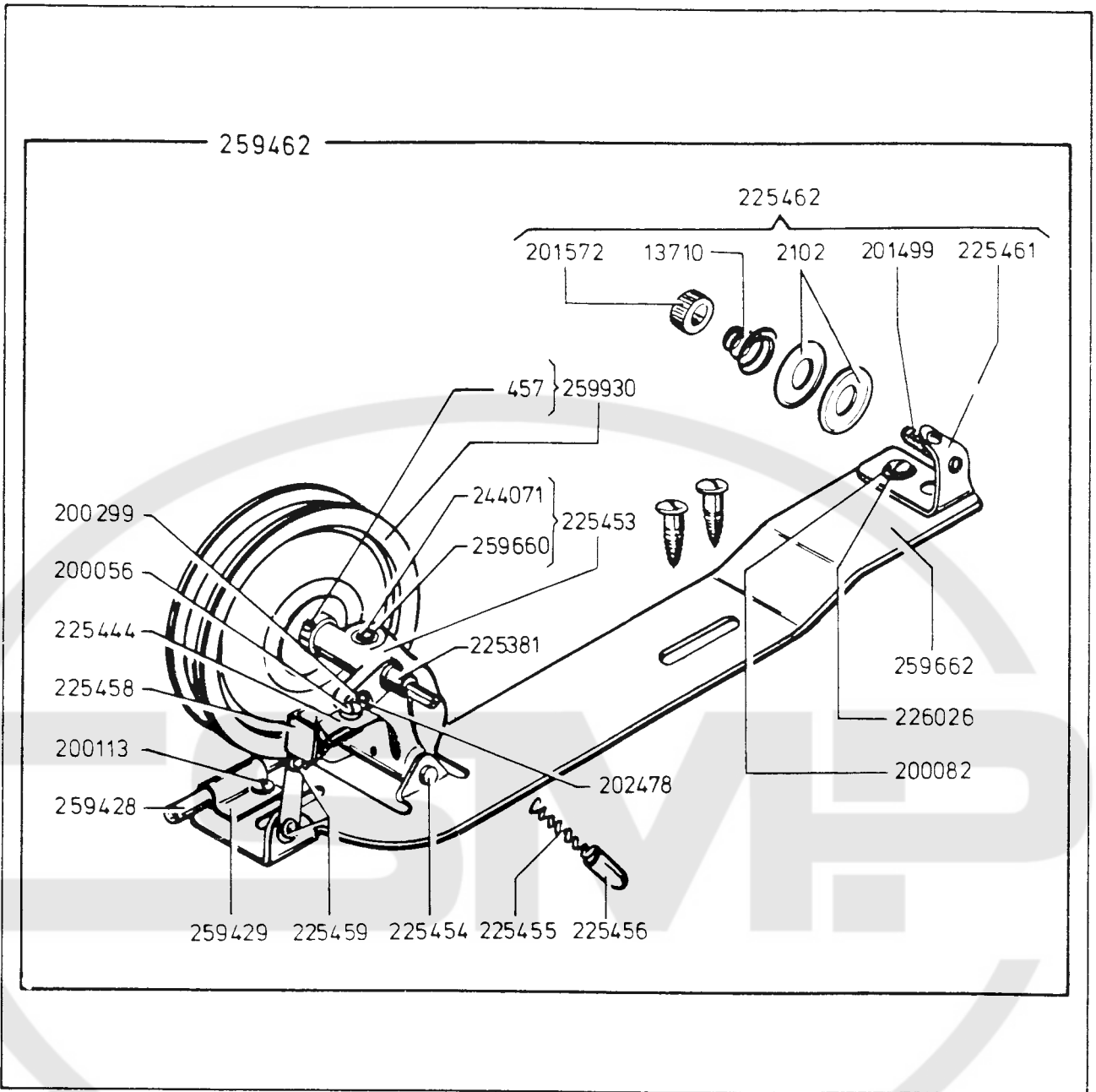


140434-869	HOOK SET SCREW (2)
200591-850	THREAD GUARD SCREW (2)
200594-805	BOBBIN CASE TENSION SPRING SCREW
200984-830	BOBBIN CASE TENSION SPRING REGULATING SCREW
201253-833	HOOK GIB SCREW (2)
201409-850	HOOK NEEDLE GUARD SCREW (2)
202056	BOBBIN CASE LATCH PIN
203214	BOBBIN CASE TENSION SPRING
203216	BOBBIN CASE WASHER (CLOTH)
203473	BOBBIN CASE LATCH PLUNGER
203474	BOBBIN CASE LATCH SPRING
203648	BOBBIN CASE LATCH
235099	BOBBIN CASE

235100	BOBBIN CASE CPL. NOS. 200594, 200984, 202056, 203214, 203216, 203473, 203474, 203648, 235099, 241674, 241675 AND TWO 350405
241674	BOBBIN CASE OILING FELT
241675	BOBBIN CASE OILING FELT RETAINER
244711	HOOK AND BOBBIN CASE CPL. NOS. 235100 AND 267356
244750	BOBBIN
267355	HOOK (SEWING) WITH TWO 140434
267356	HOOK CPL. NOS. 267355, 267358, 267359, 267360, 350574, TWO 200591, TWO 201253 AND TWO 201409
267359	HOOK NEEDLE GUARD
267360	HOOK THREAD GUARD
350405-850	BOBBIN CASE OILING FELT RETAINER SCREW (2)
350574-806	HOOK HEIGHT ADJUSTING SCREW

PART NO. DESCRIPTION

PART NO. DESCRIPTION

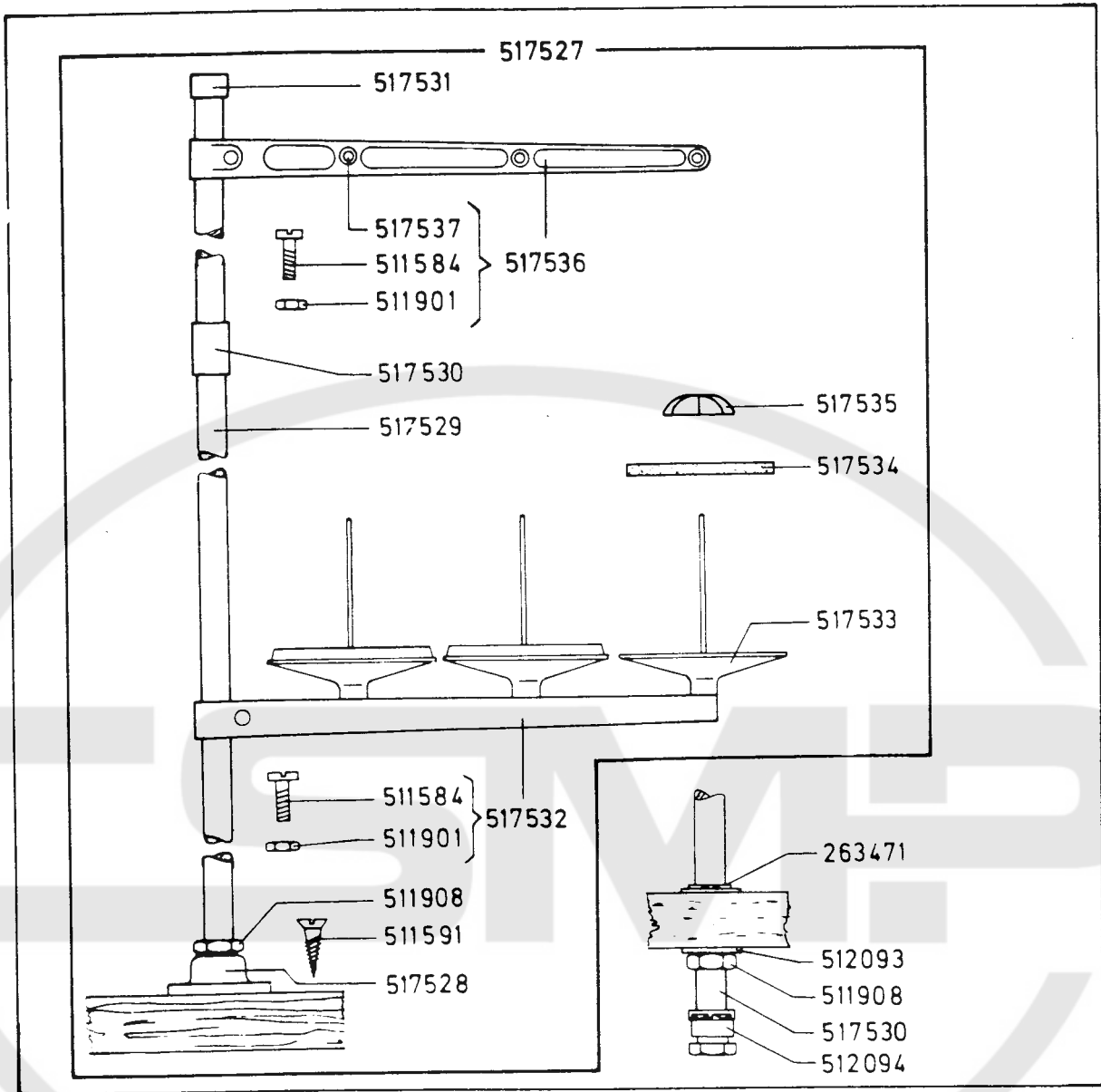


211 G 165 - 1500(0870)

457-833	BOBBIN WINDER PULLEY SET SCREW	225461	BOBBIN WINDER TENSION BRACKET WITH 201499
2102	BOBBIN WINDER TENSION DISK (2)	225462	BOBBIN WINDER TENSION BRACKET CPL.
13710	BOBBIN WINDER TENSION SPRING		NOS. 13710, 201572, 225461 AND TWO 2102
200056-850	BOBBIN WINDER STOP LATCH SCREW	228026	BOBBIN WINDER TENSION BRACKET SCREW WASHER
200082-850	BOBBIN WINDER TENSION BRACKET SCREW	244071	BOBBIN WINDER FRAME OIL PACKING (WICK)
200113-850	BOBBIN WINDER BRAKE CLAMP SCREW	259428	BOBBIN WINDER BRAKE (LEATHER)
200299-850	BOBBIN WINDER STOP LATCH TRIP LEVER HINGE SCREW	259429	BOBBIN WINDER BRAKE CLAMP
201499	BOBBIN WINDER TENSION STUD	259462	BOBBIN WINDER FRAME OIL WELL WASHER
201572-850	BOBBIN WINDER TENSION STUD THUMB NUT		BOBBIN WINDER AND TENSION BRACKET BASE
202478	BOBBIN WINDER STOP LATCH TRIP LEVER		BOBBIN WINDER PULLEY WITH 457
225381	BOBBIN WINDER SPINDLE		BOBBIN WINDER WOOD SCREW (3/4 IN. NO. 12 RHD) (2)
225444	BOBBIN WINDER STOP LATCH		
225453	BOBBIN WINDER FRAME WITH 244071 AND 259660	259660	
225454	BOBBIN WINDER FRAME HINGE PIN	259662	
225455	BOBBIN WINDER FRAME SPRING	259930	
225456	BOBBIN WINDER FRAME SPRING PLUNGER	-----	
225458	BOBBIN WINDER STOP LATCH THUMB LEVER		
225459	BOBBIN WINDER STOP LATCH THUMB LEVER HINGE STUD (2)		

PART NO. DESCRIPTION

PART NO. DESCRIPTION



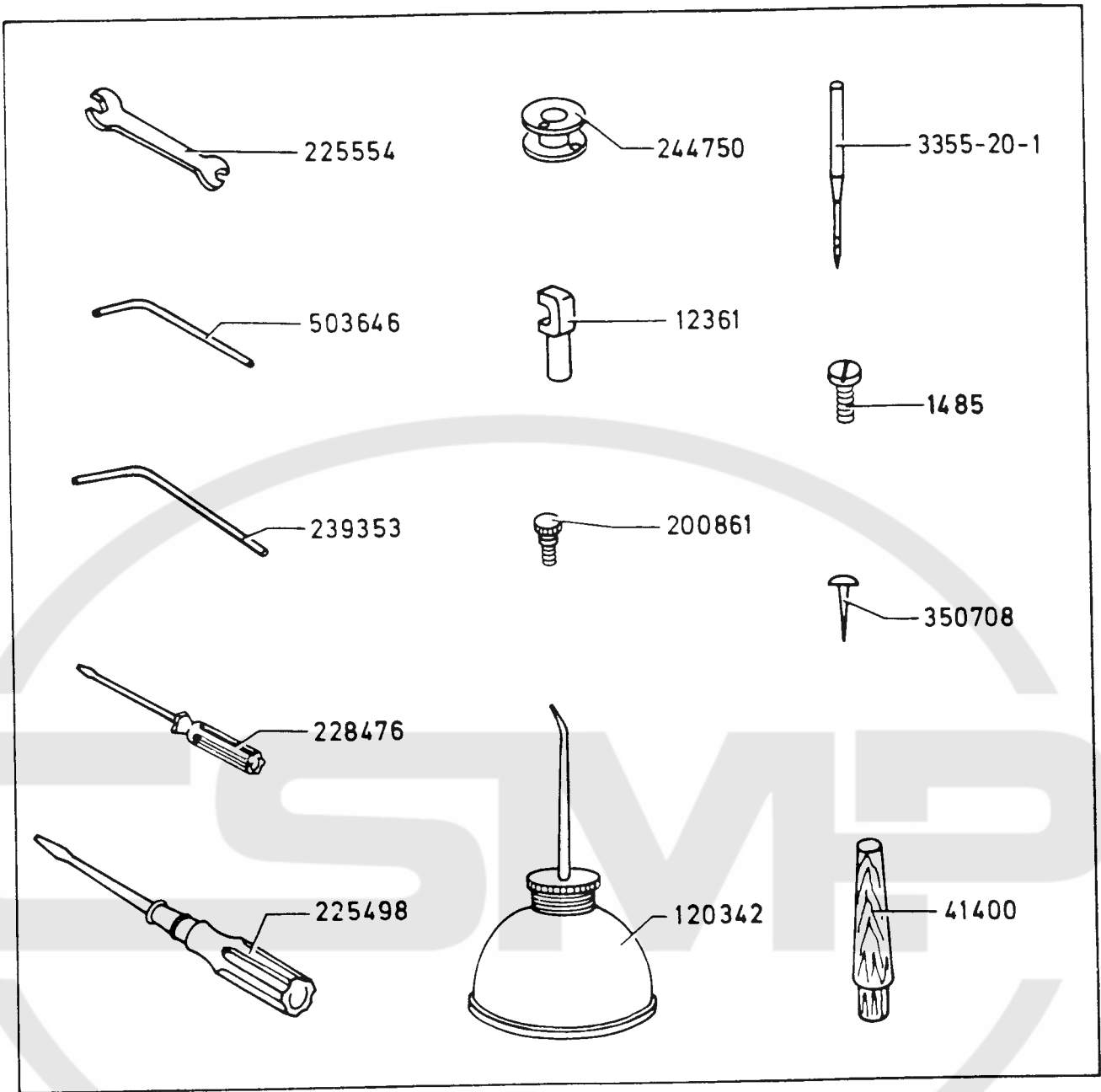
211 G 165 - 1600 (0870)

263471 THREAD UNWINDER ROD RETAINING RING
 511584-850 THREAD UNWINDER SPOOL CARRIER ARM SCREW
 511584-850 THREAD UNWINDER THREAD GUIDE SCREW
 511591-819 THREAD UNWINDER WOOD SCREW (3)
 511901-830 THREAD UNWINDER SPOOL CARRIER ARM NUT
 511901-830 THREAD UNWINDER THREAD GUIDE NUT
 511908-850 THREAD UNWINDER ROD NUT
 512093 THREAD UNWINDER ROD WASHER
 512094 THREAD UNWINDER SCREWED GLAND
 517527 THREAD UNWINDER CPL. NOS. 263471, 511908, 512094,
 517528, 517530, 517530, 517531, 517532, 517536, TWO
 EACH 512093, 517529 AND THREE EACH 511591, 517533,
 517534 AND 517535.

517528 THREAD UNWINDER FOOT
 517529 THREAD UNWINDER ROD
 517530 THREAD UNWINDER ROD CONNECTION
 517530 THREAD UNWINDER PLAIN COUPLER
 517531 THREAD UNWINDER ROD CAP
 517532 THREAD UNWINDER SPOOL CARRIER ARM
 WITH 511584 AND 511901.
 517533 THREAD UNWINDER SPOOL CARRIER PLATE
 517534 THREAD UNWINDER SPOOL CUSHION
 517535 THREAD UNWINDER SPOOL HOLDER
 517536 THREAD UNWINDER THREAD GUIDE WITH 511584, 511901
 AND THREE 517537
 517537 THREAD UNWINDER THREAD GUIDE BUSHING

PART NO. DESCRIPTION

PART NO. DESCRIPTION



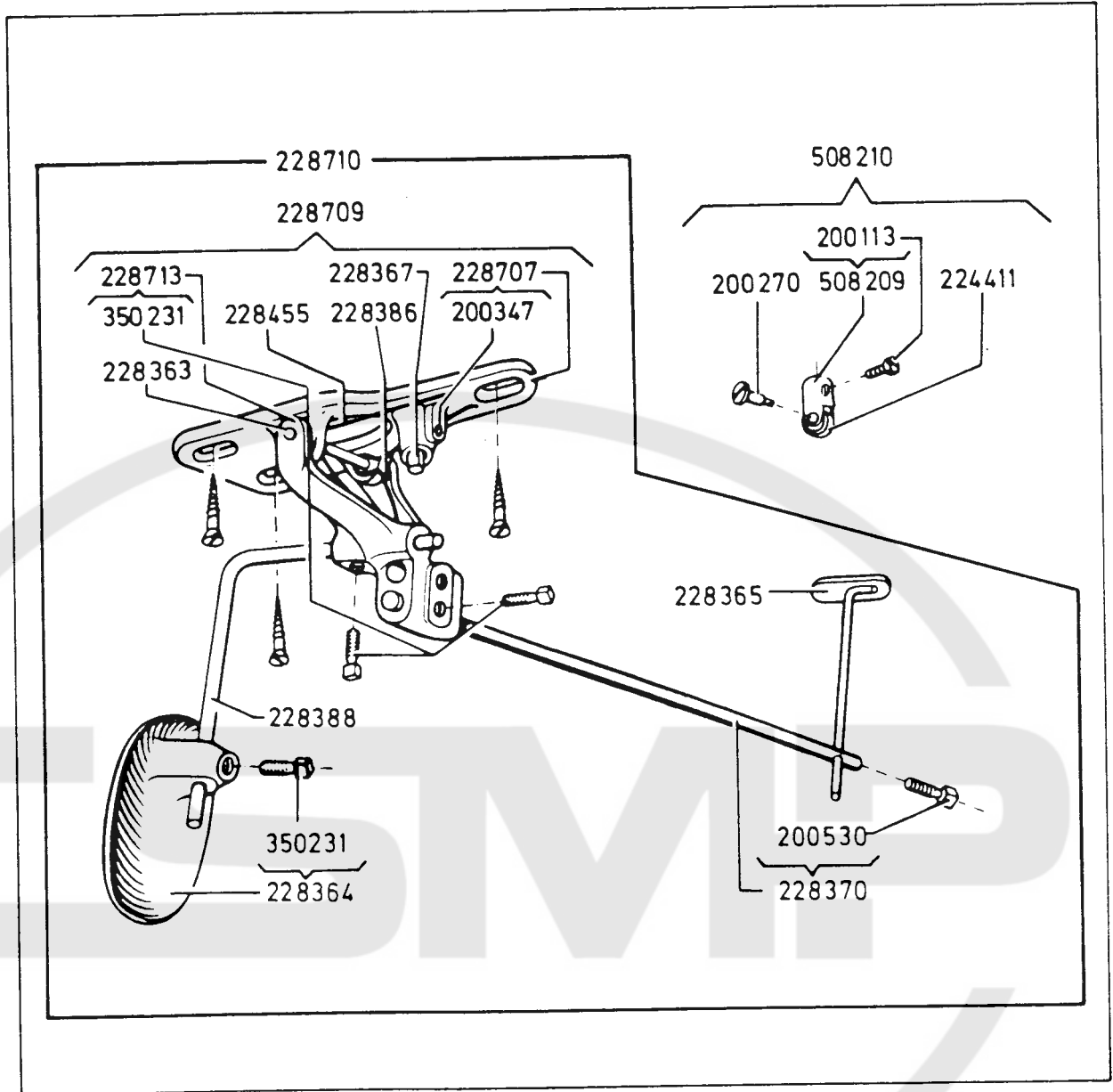
211 G165 - 1700(0570)

1485-850 ATTACHMENT SCREW
 12361 MACHINE HINGE CONNECTION (2)
 41400 MACHINE REST PIN (WOOD)
 120342 OILER (COPPER PLATED)
 200861-819 BED SLIDE THUMB SCREW
 225498 SCREW DRIVER

225554 WRENCH
 228476 SCREW DRIVER
 239353 WRENCH (5/32 IN. HEX.)
 244750 BOBBIN (2)
 350708-805 DRIP PAN SCREW NAIL (7)
 503646 WRENCH (3/32 IN. HEX.)

PART NO. DESCRIPTION

PART NO. DESCRIPTION



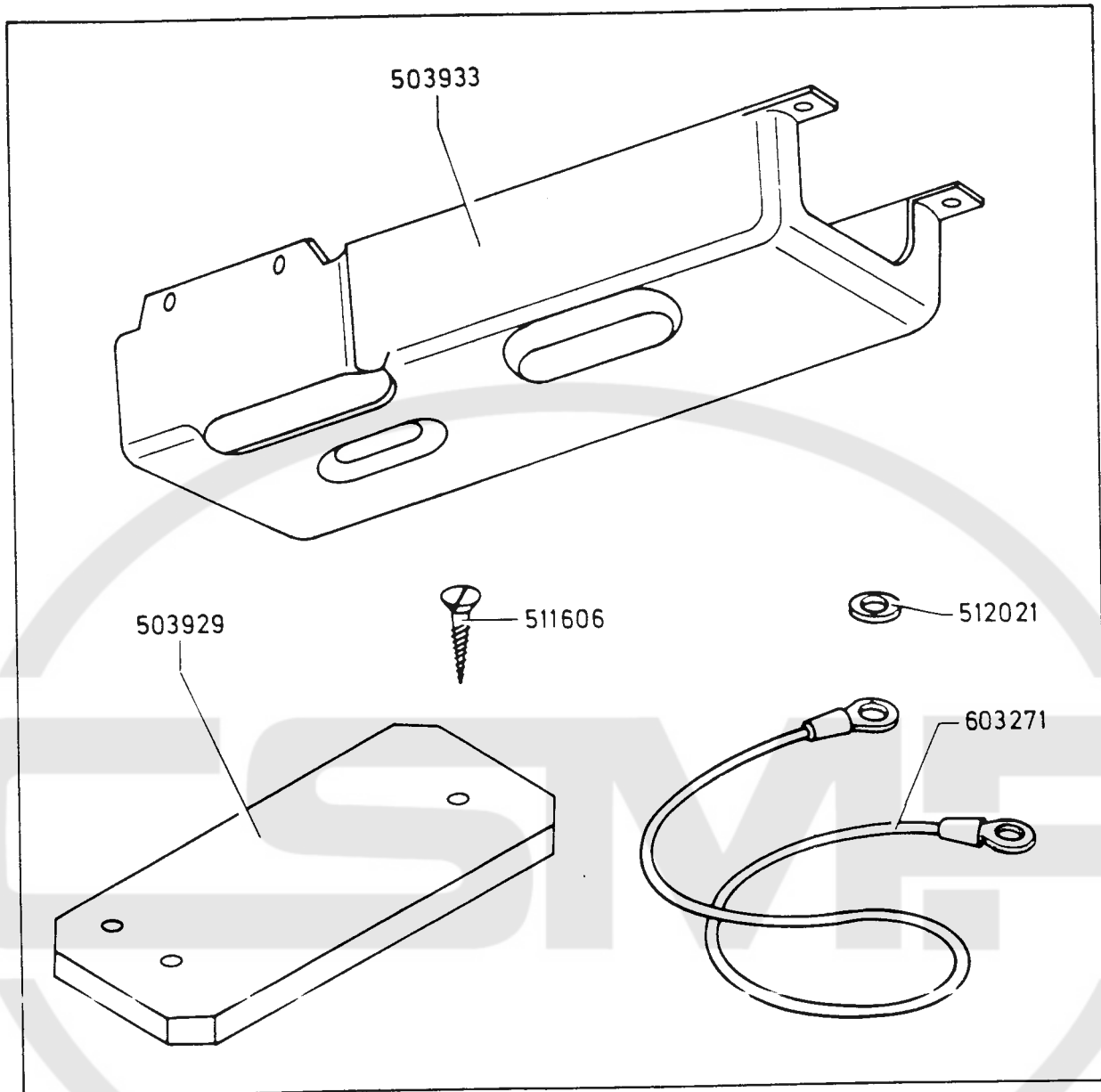
211 G165-1300-(10870)

200113-850	NEEDLE OPERATING ROD ROLLER PINCH SCREW
200270-850	NEEDLE OPERATING ROD ROLLER HINGE SCREW
200347-850	KNEE LIFTER ROCK LEVER STOP STUD SET SCREW
200530-850	KNEE LIFTER ROCK LEVER ROD SET SCREW
224411	NEEDLE OPERATING ROD ROLLER
228363	KNEE LIFTER ROCK LEVER HINGE PIN
228364	KNEE LIFTER ROCK LEVER KNEE PLATE WITH 350231
228365	KNEE LIFTER ROCK LEVER ROD
228367	KNEE LIFTER ROCK LEVER STOP STUD
228370	KNEE LIFTER ROCK LEVER EXTENSION WITH 200530
228386	KNEE LIFTER ROCK LEVER SPRING
228388	KNEE LIFTER ROCK LEVER KNEE PLATE ARM
228455	KNEE LIFTER ROCK LEVER POSITION SPRING
228707	KNEE LIFTER ROCK LEVER BRACKET WITH 200347 AND THREE WOOD SCREWS 7/8 INCH, NO. 12

228709	KNEE LIFTER ROCK LEVER BRACKET CPL. NOS. 228363, 228367, 228386, 228455, 228707 AND 228713
228710	KNEE LIFTER ROCK LEVER CPL. NOS. 228364, 228365, 228370, 228388 AND 228709
228713	KNEE LIFTER ROCK LEVER WITH TWO 350231
350231-850	KNEE LIFTER ROCK LEVER EXTENSION SET SCREW AND KNEE LIFTER ROCK LEVER KNEE PLATE ARM SET SCREW ?1
508209	KNEE LIFTER ROCK LEVER KNEE PLATE SET SCREW
508210	NEEDLE OPERATING ROD ROLLER WITH 200113
-----	NEEDLE OPERATING ROD ROLLER CPL. NOS. 200270, 224411 AND 508209
-----	WOOD SCREW 7/8 INCH, NO. 12?1

PART NO. DESCRIPTION

PART NO. DESCRIPTION



211 G 165 - 1400 - (0870)

503929	KNEE LIFTER BASE
503933	DRIP PAN
511606-805	KNEE LIFTER BASE WOOD SCREW (3)
512021	MACHINE GROUNDING WIRE LOCK WASHER
603271	MACHINE GROUNDING WIRE

PART NO.	DESCRIPTION	PART NO.	DESCRIPTION
----------	-------------	----------	-------------