



**SINGER**

**29K1 to K4, K10 to K18, K21 to  
K23, K30 to K33**

Form K2369  
Supersedes K1411  
August, 1922.

ILLUSTRATED  
LIST OF PARTS

FOR NOS.

29K1 to 29K4

29K10 to 29K18

29K21 to 29K23

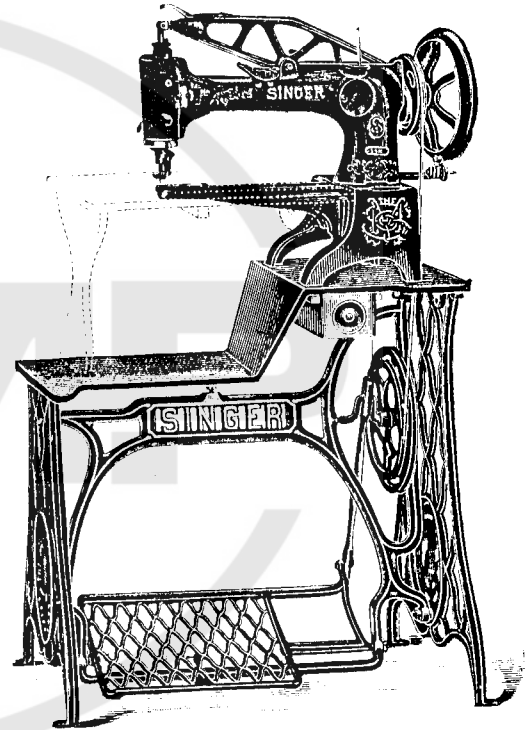
AND

29K30 to 29K33

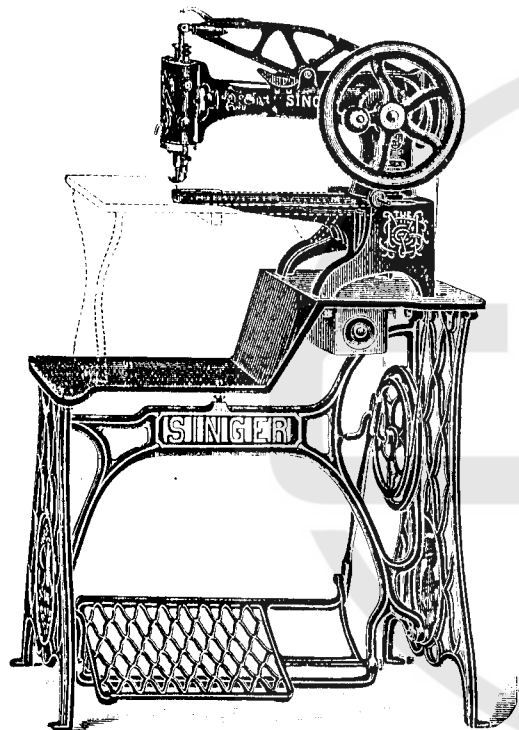
MACHINES.

□

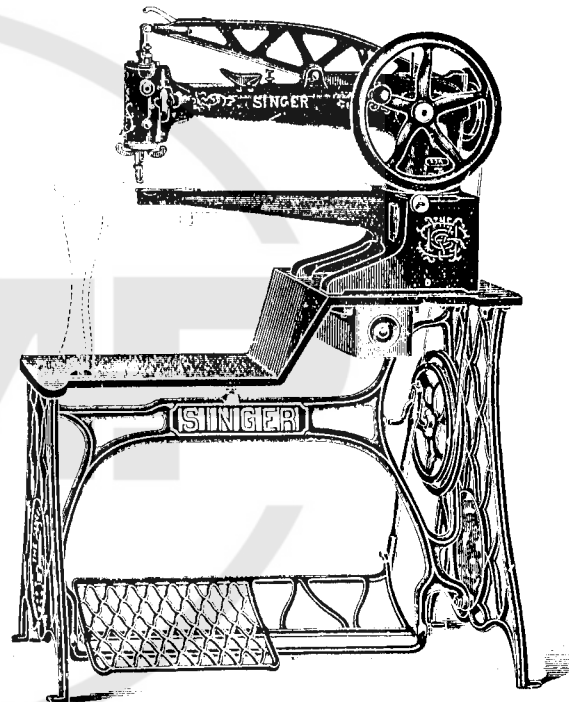
THE SINGER MANUFACTURING COMPANY.



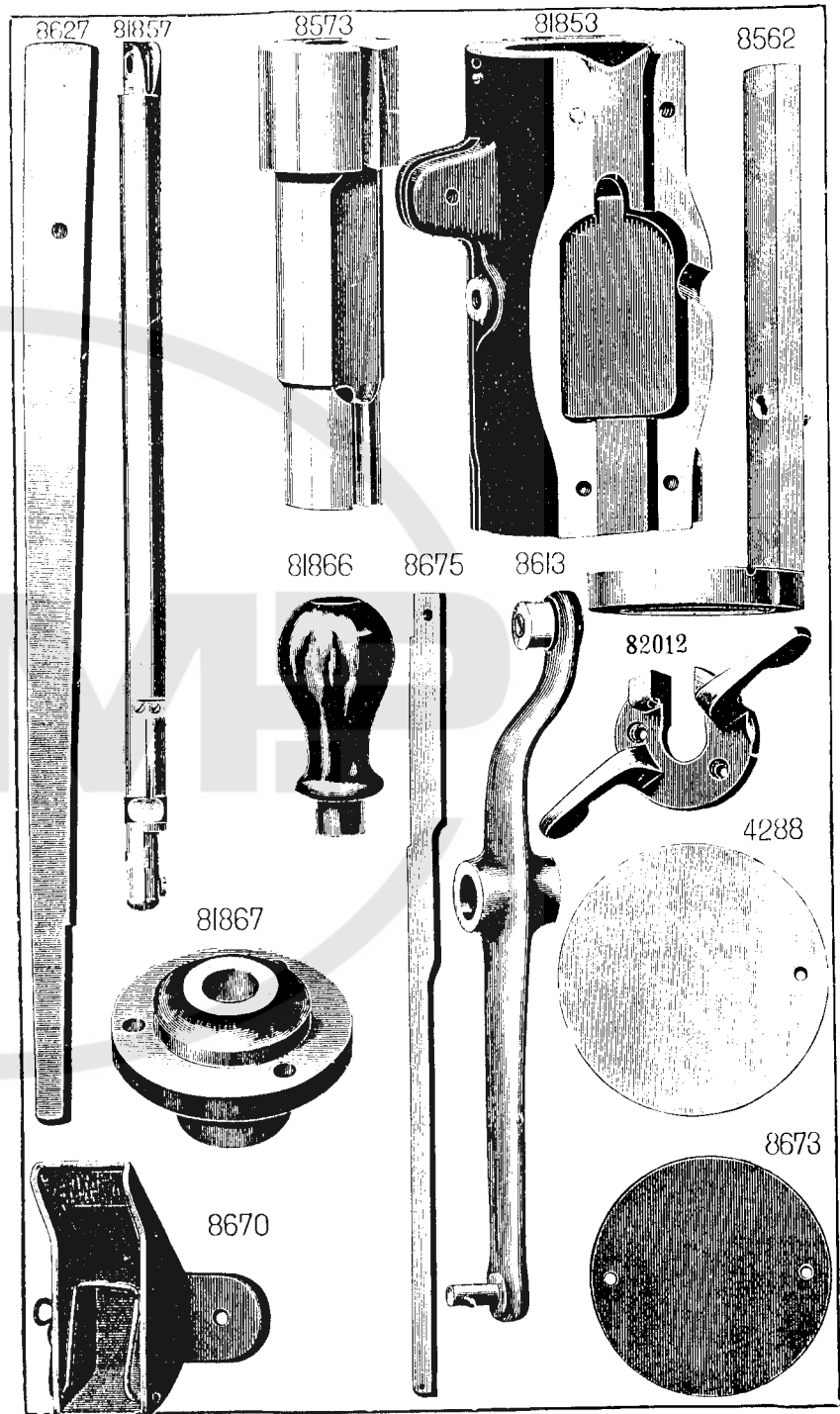
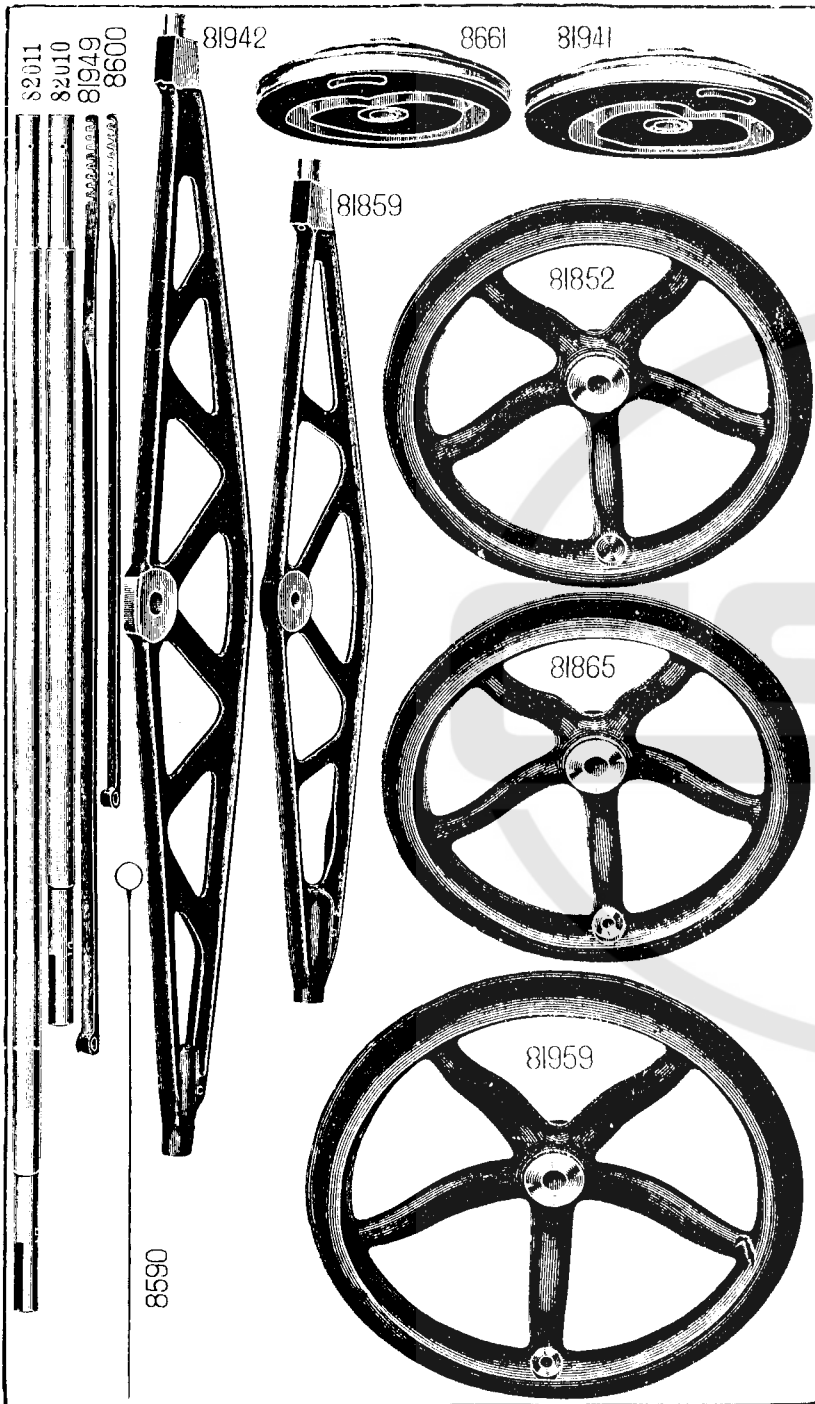
No. 29K1 MACHINE.

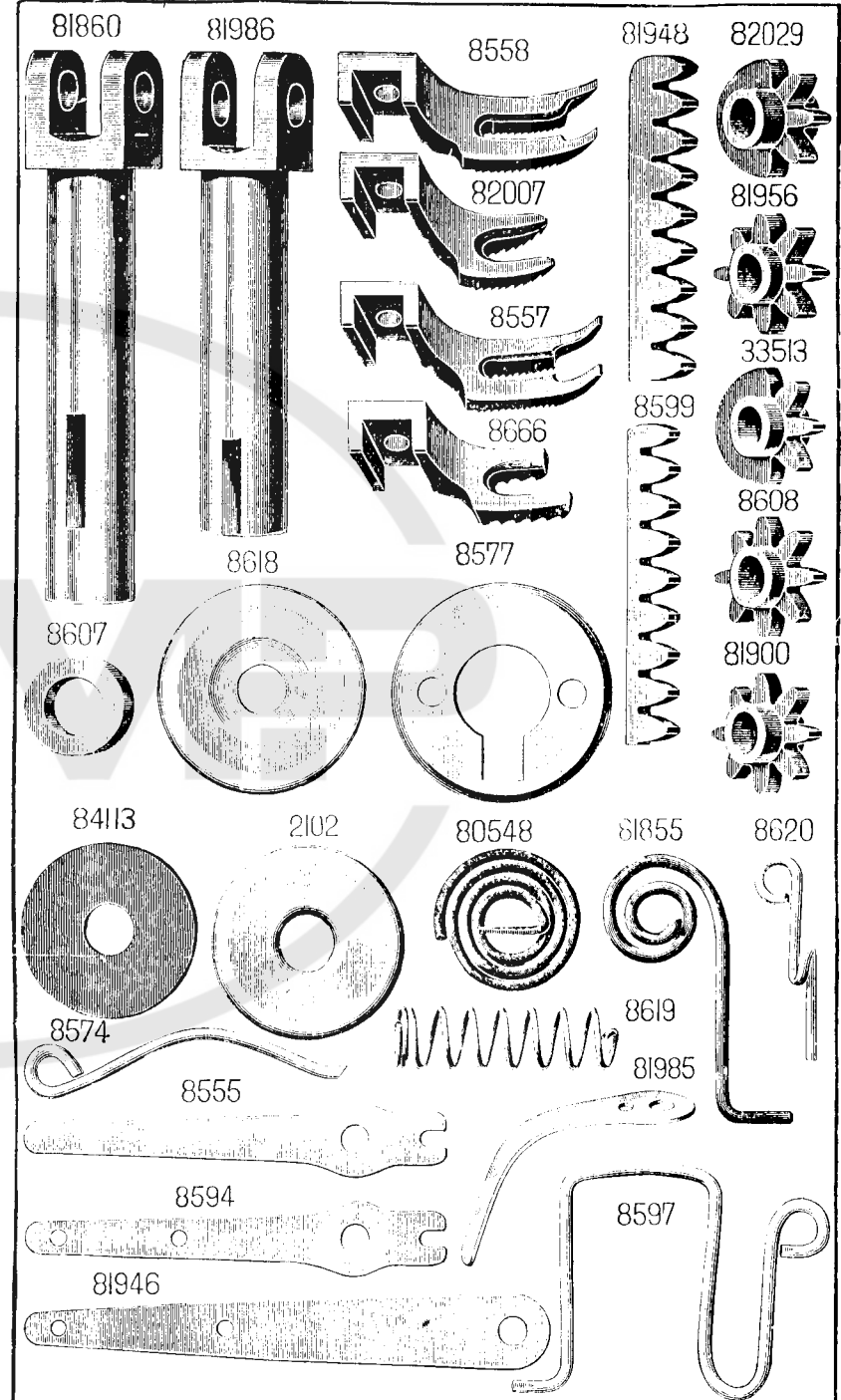
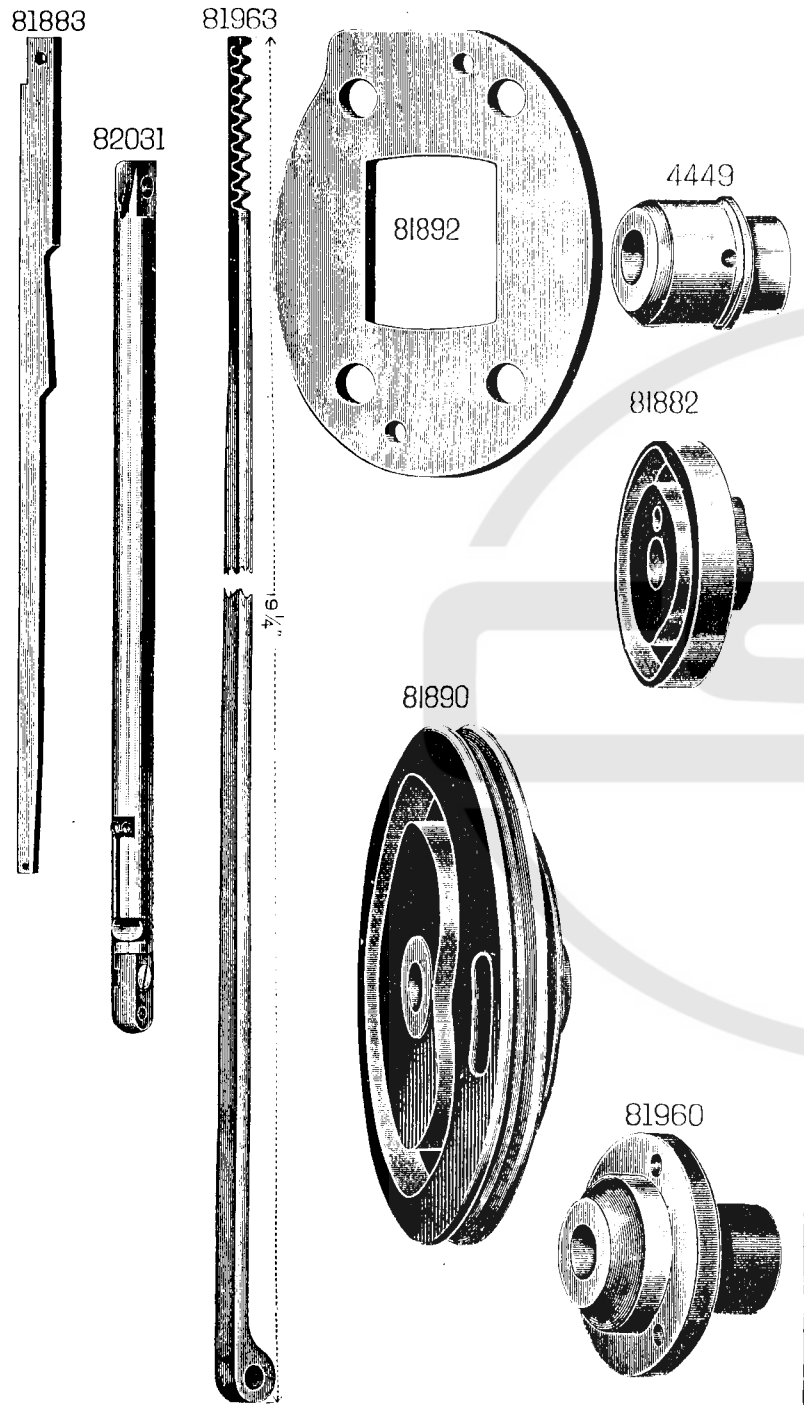


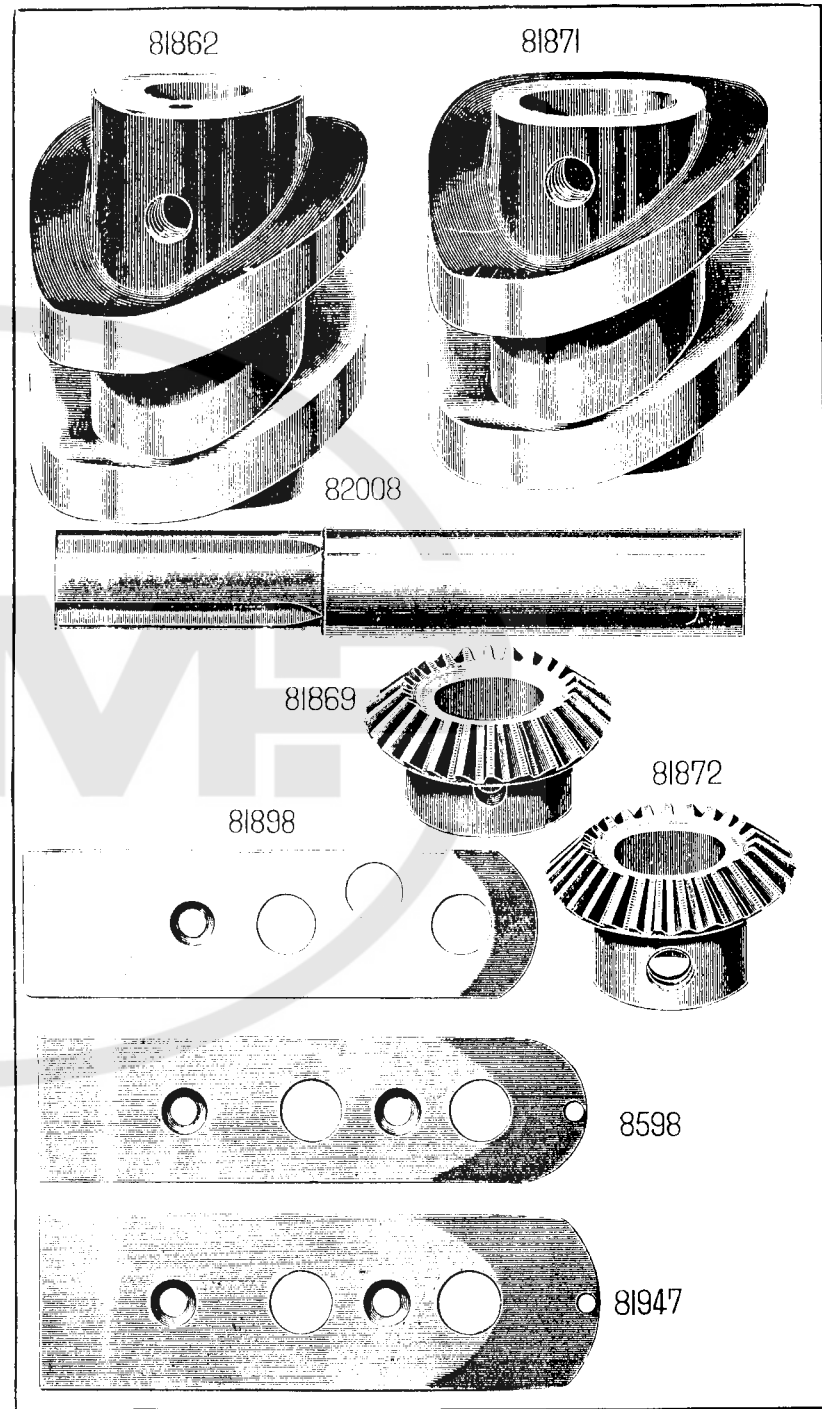
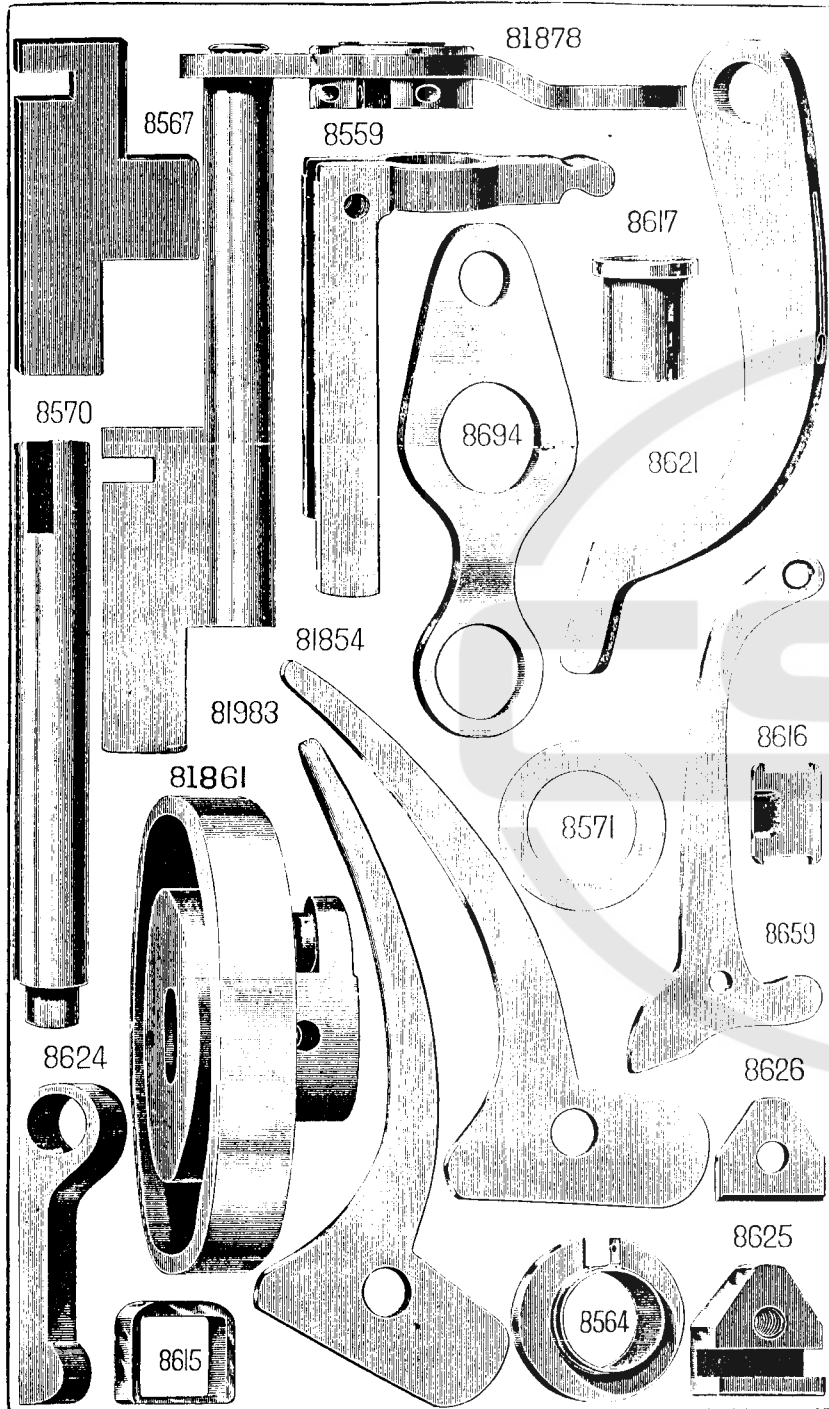
No. 29K2 MACHINE.

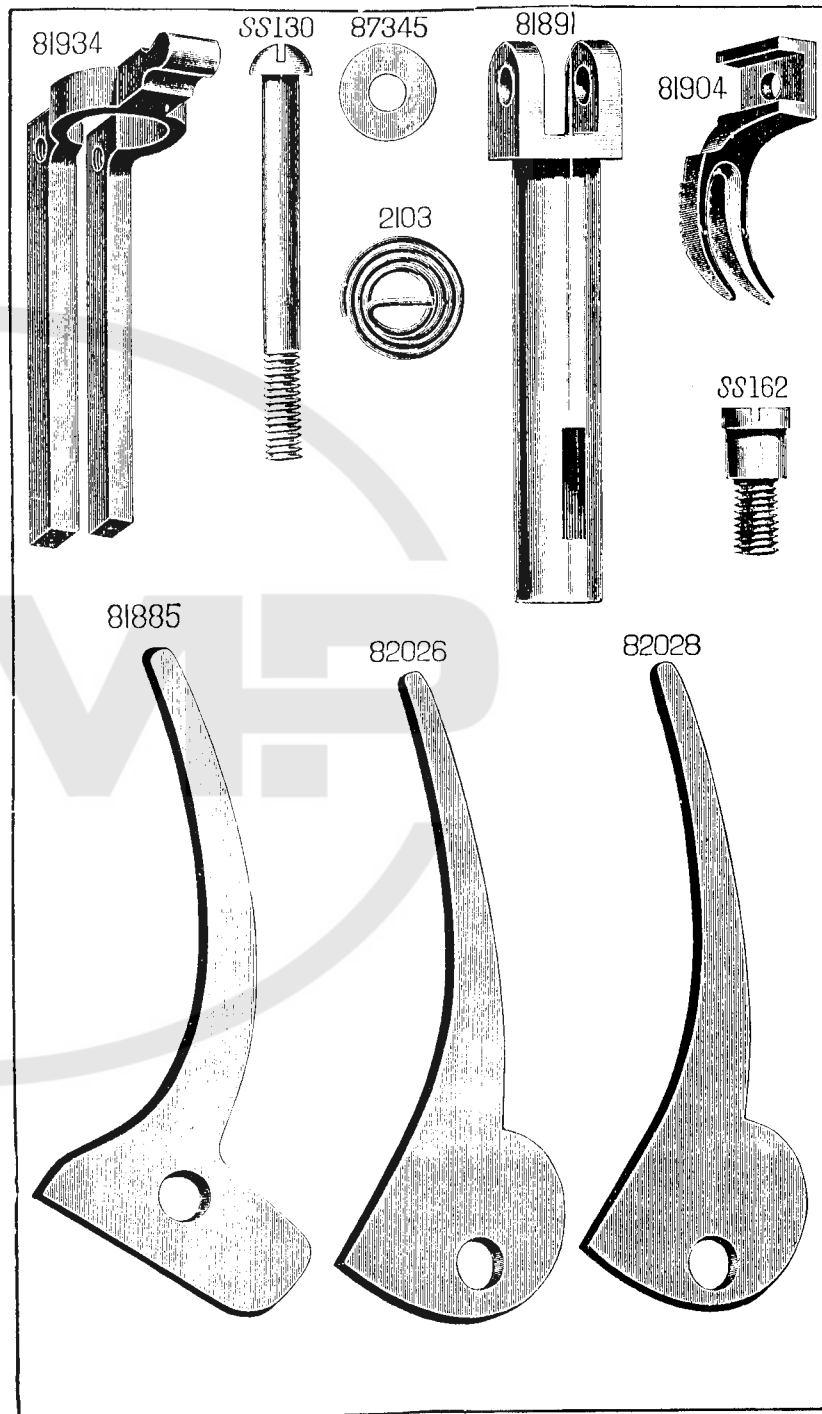
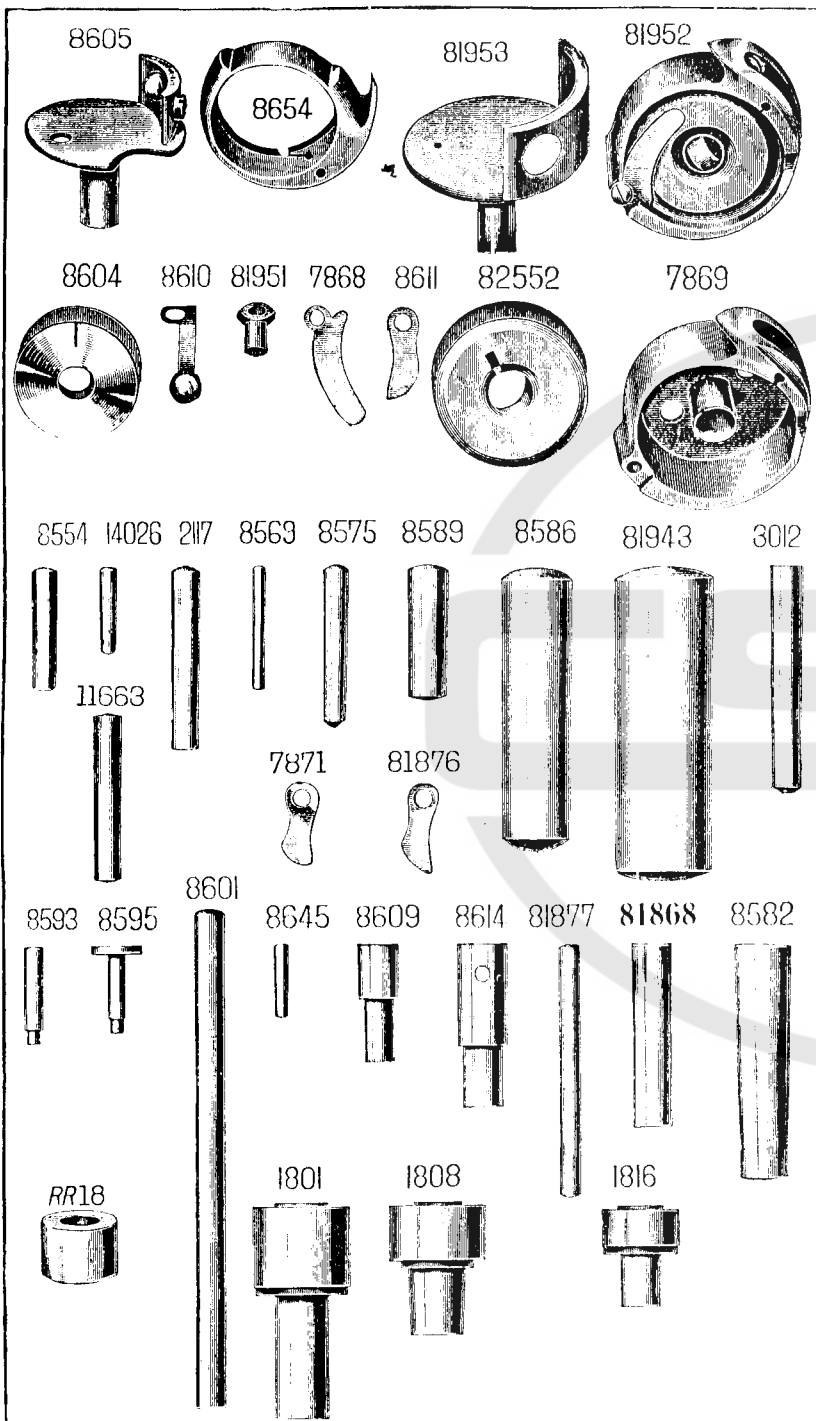


No. 29K31 MACHINE.

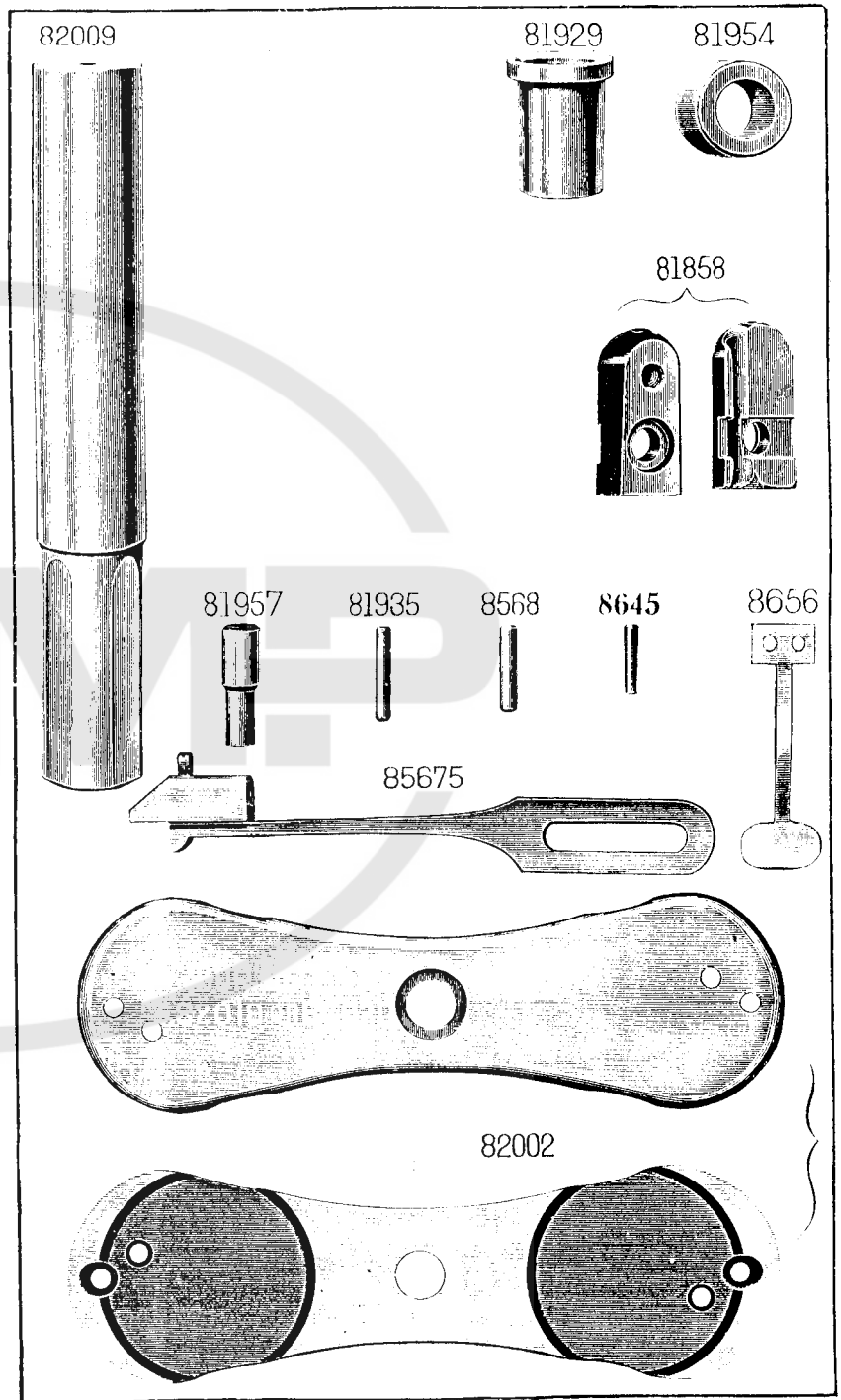
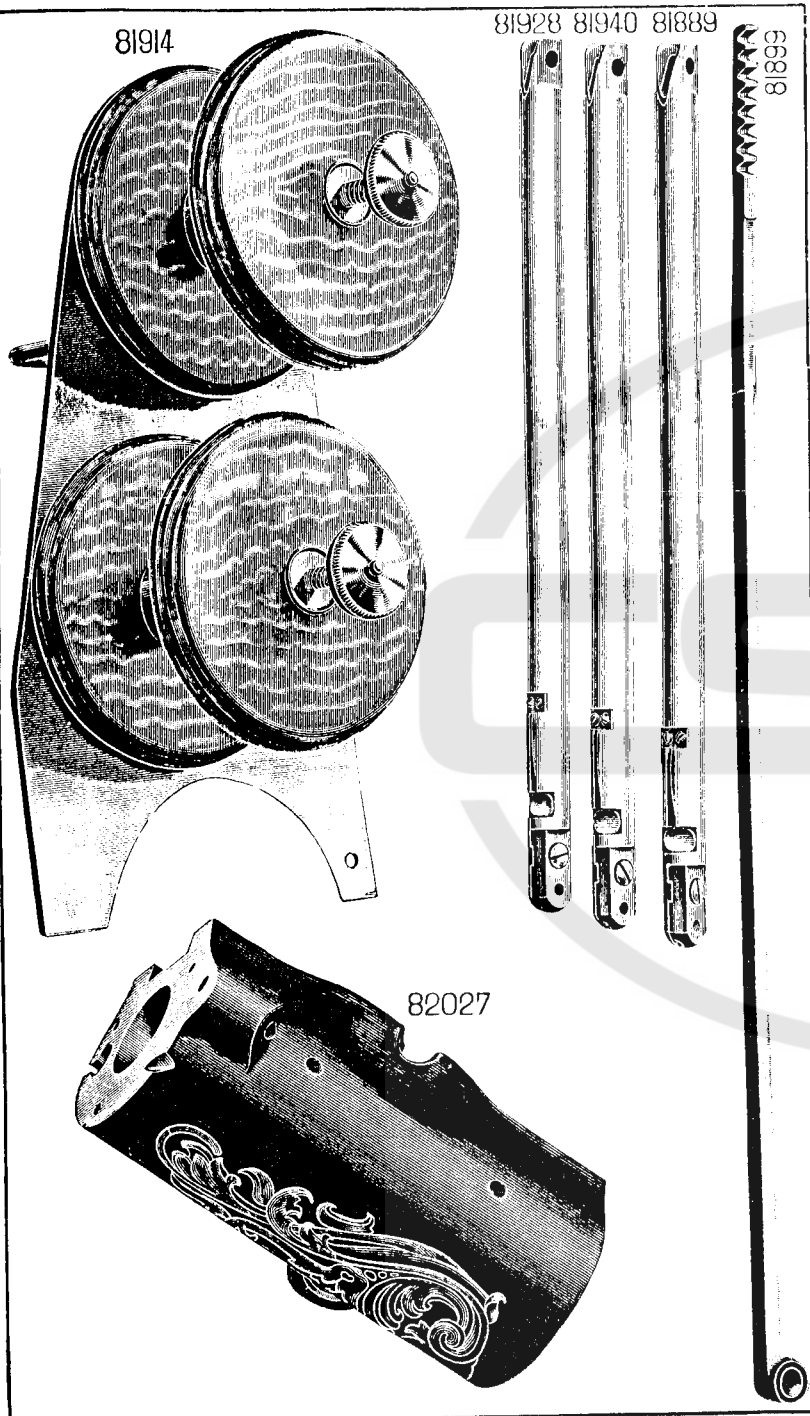




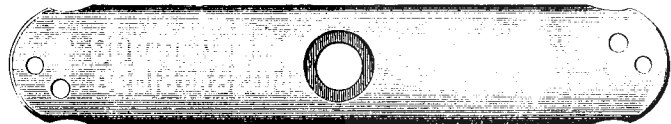




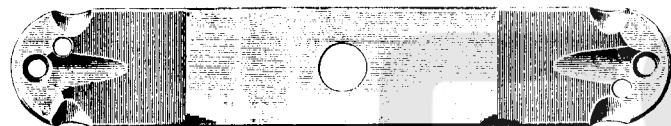
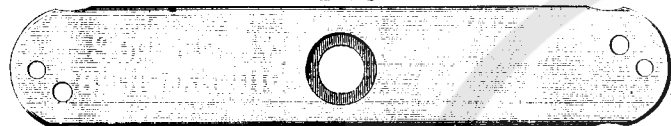




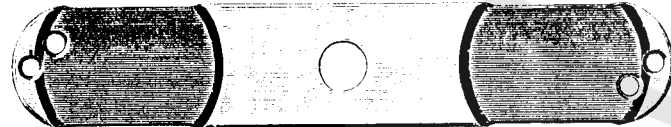
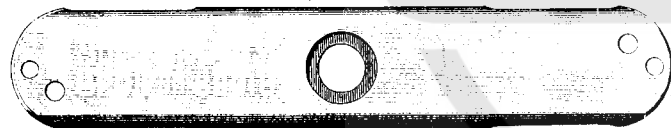
8591



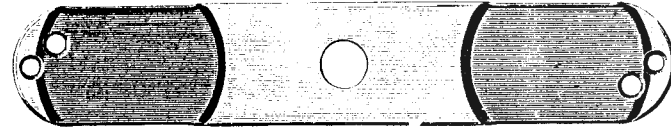
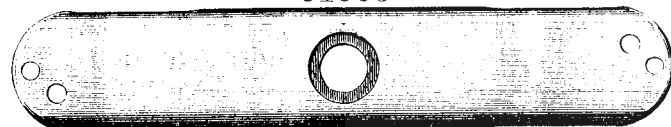
81875



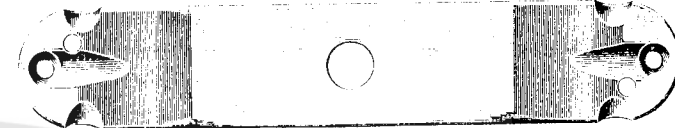
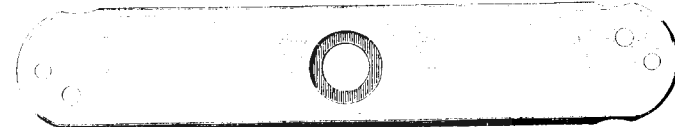
81901



81896



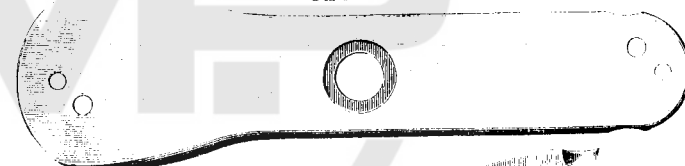
81879



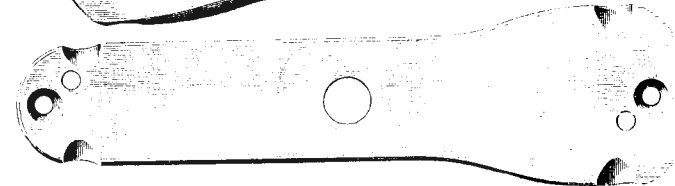
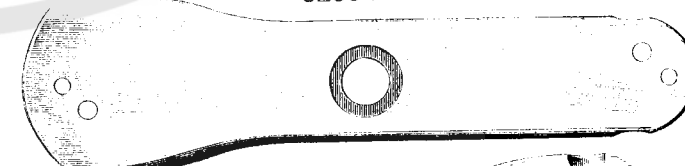
81944

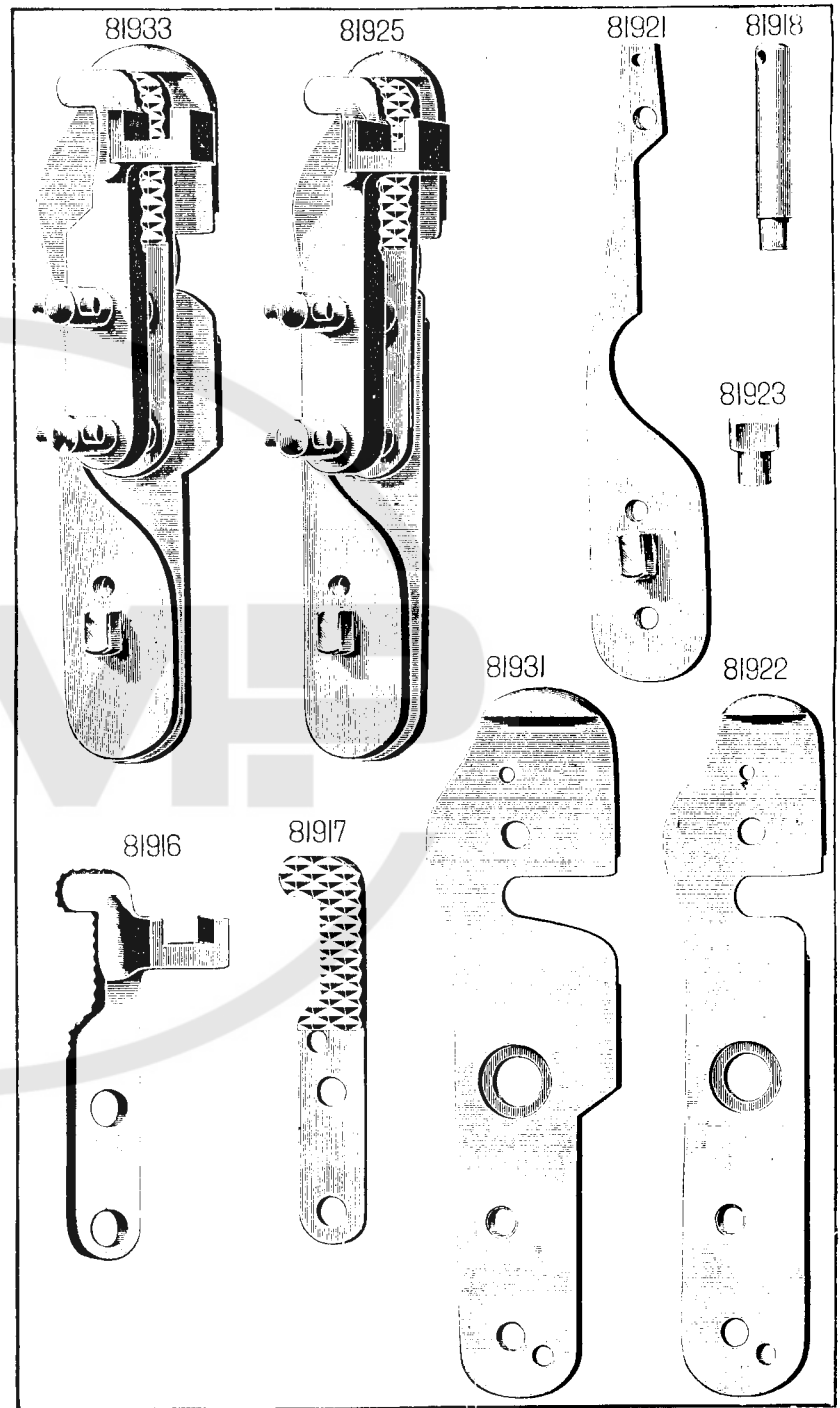
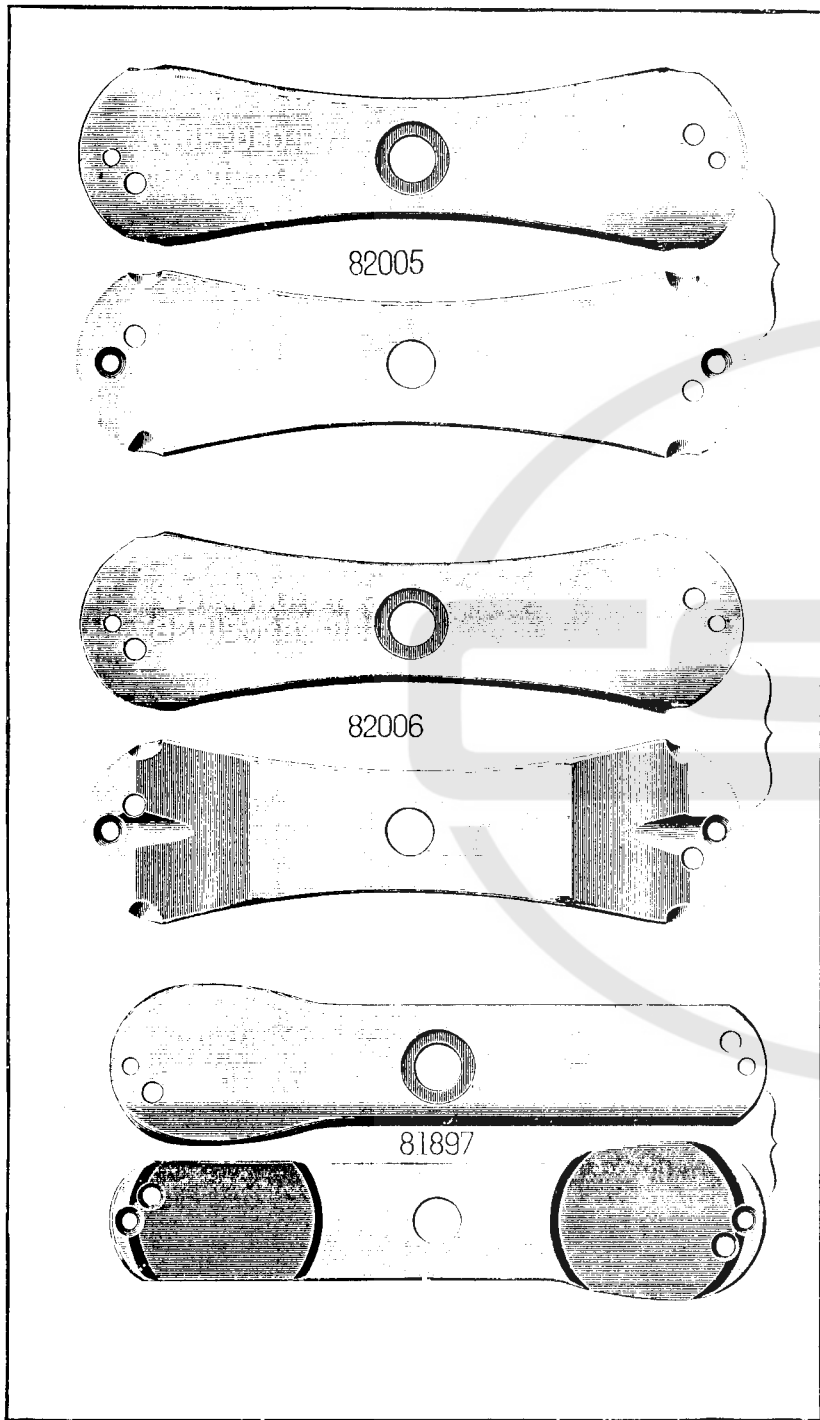


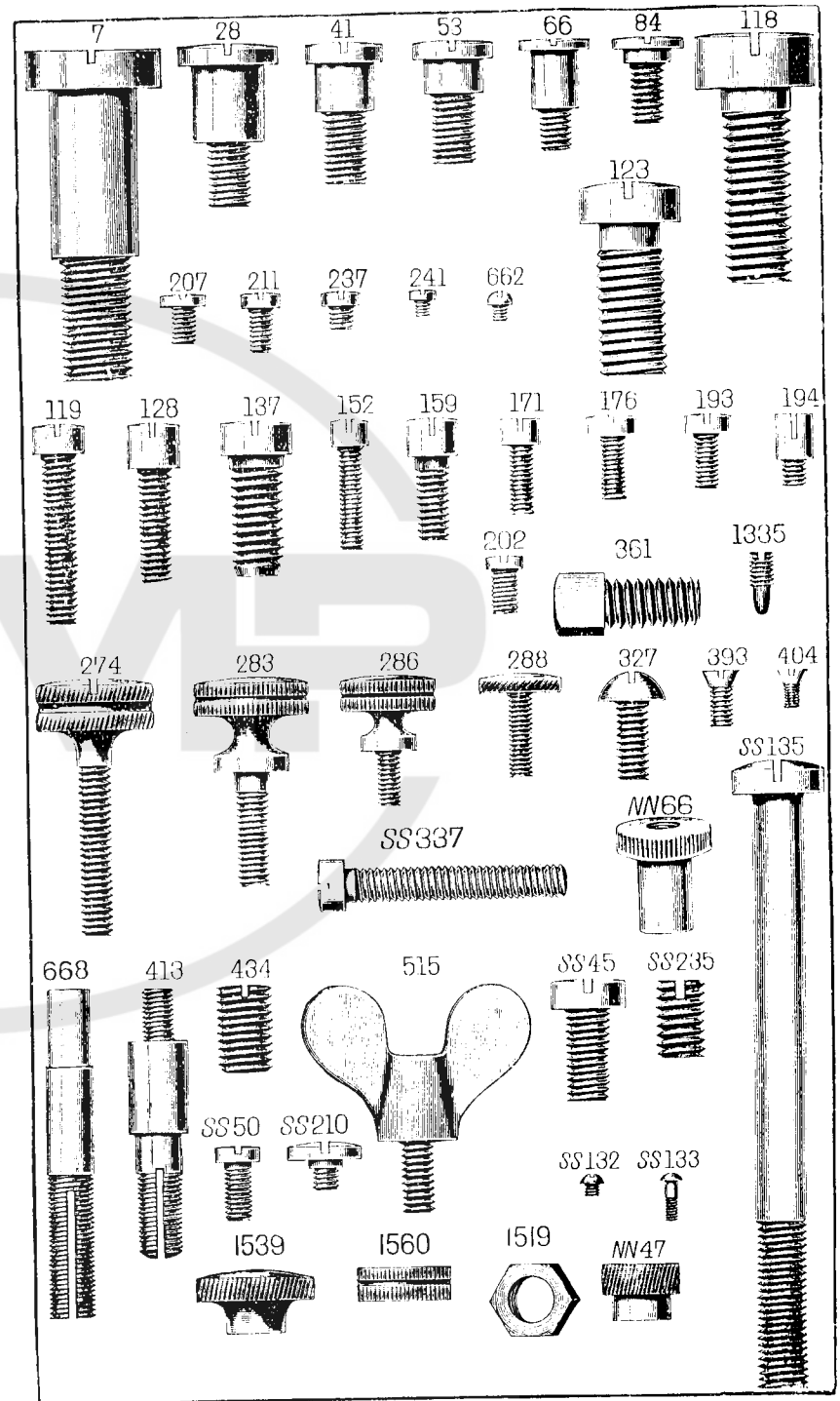
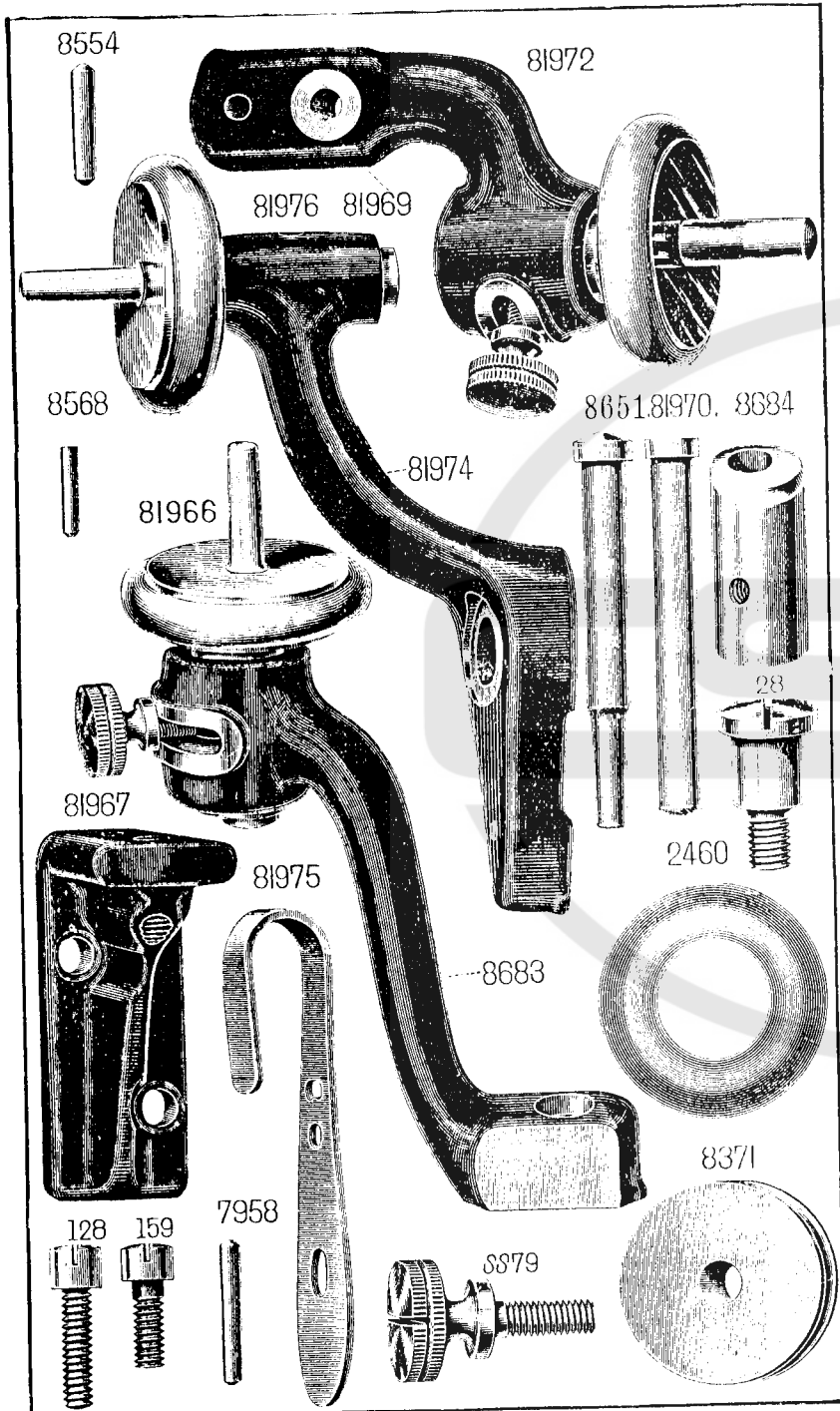
82003

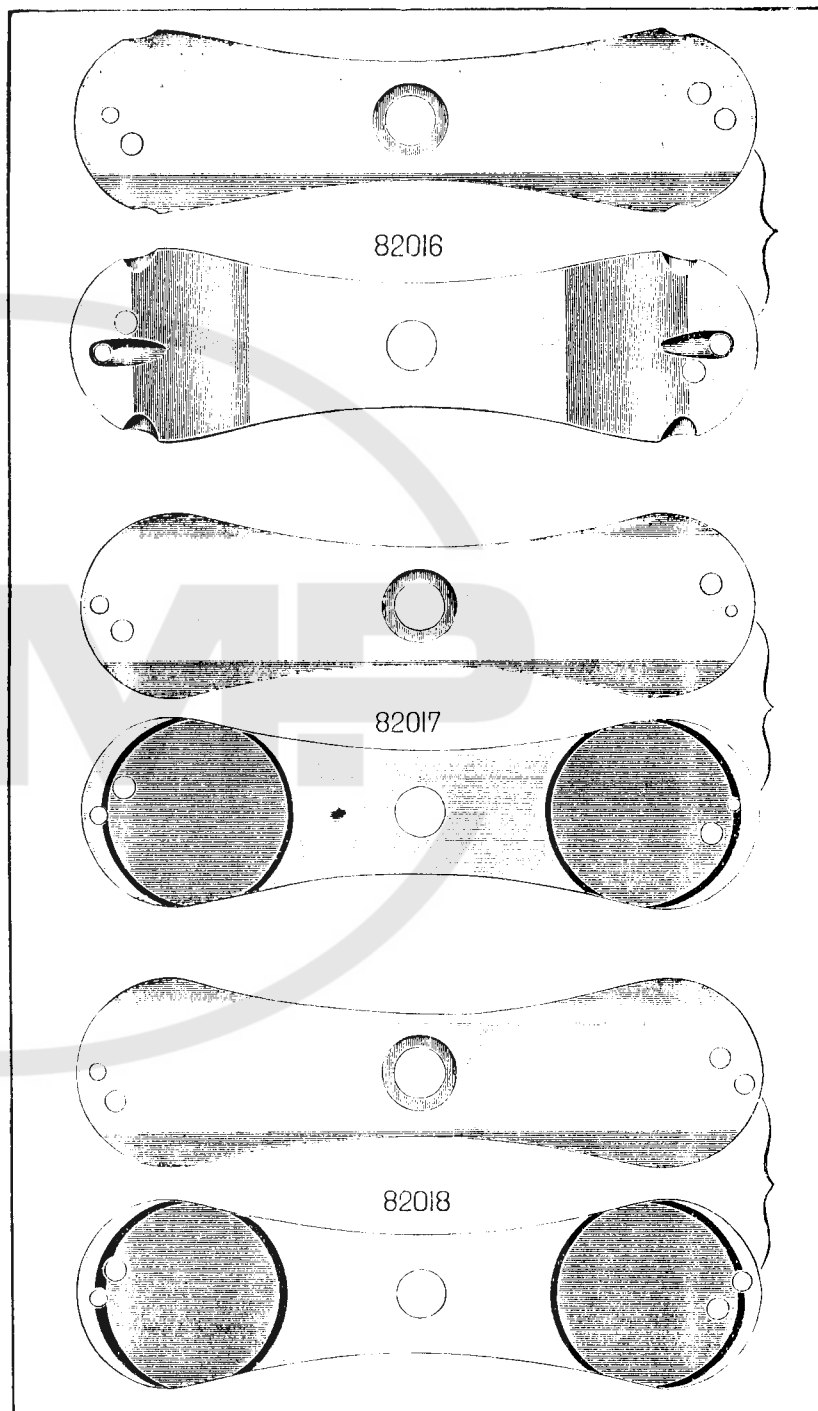
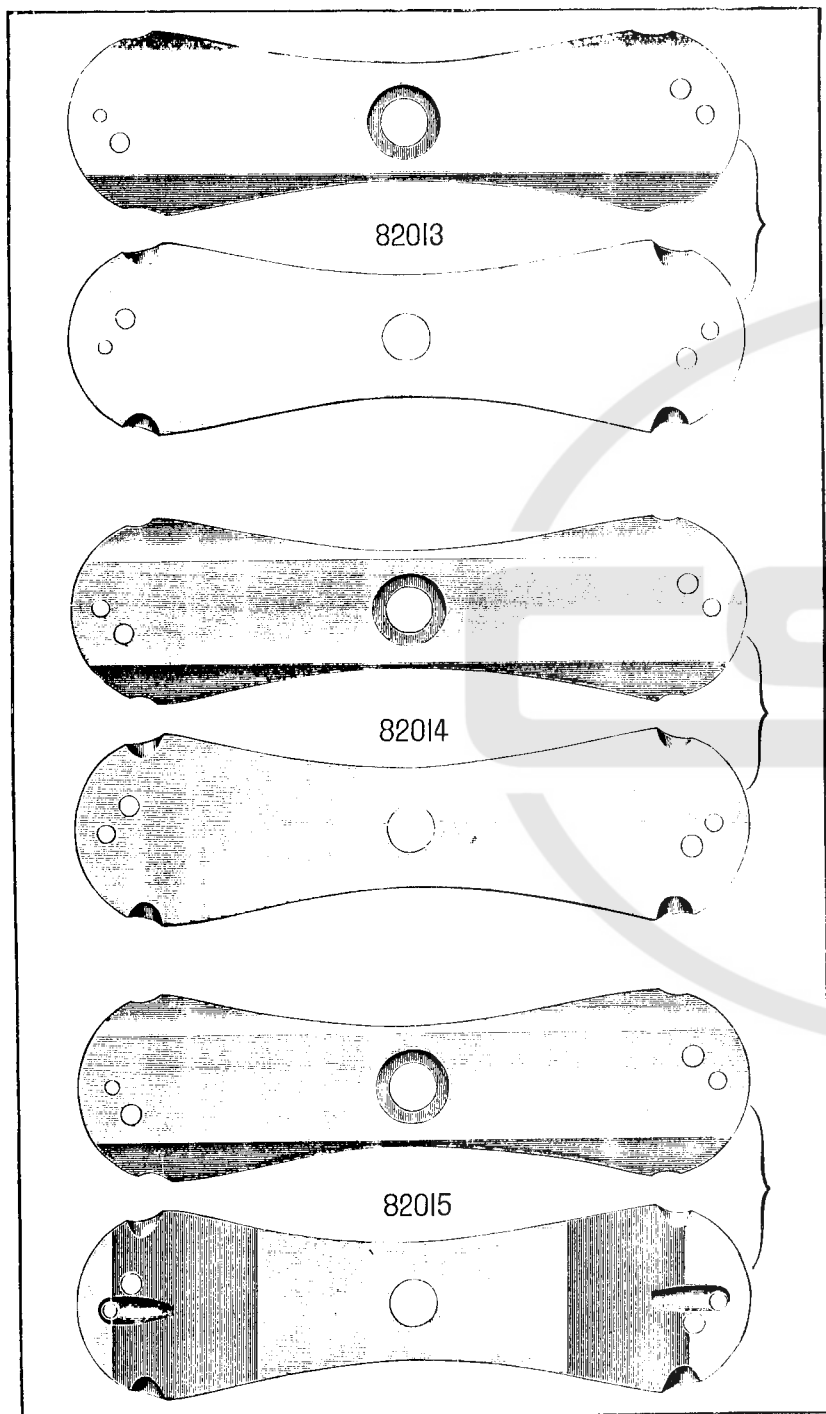


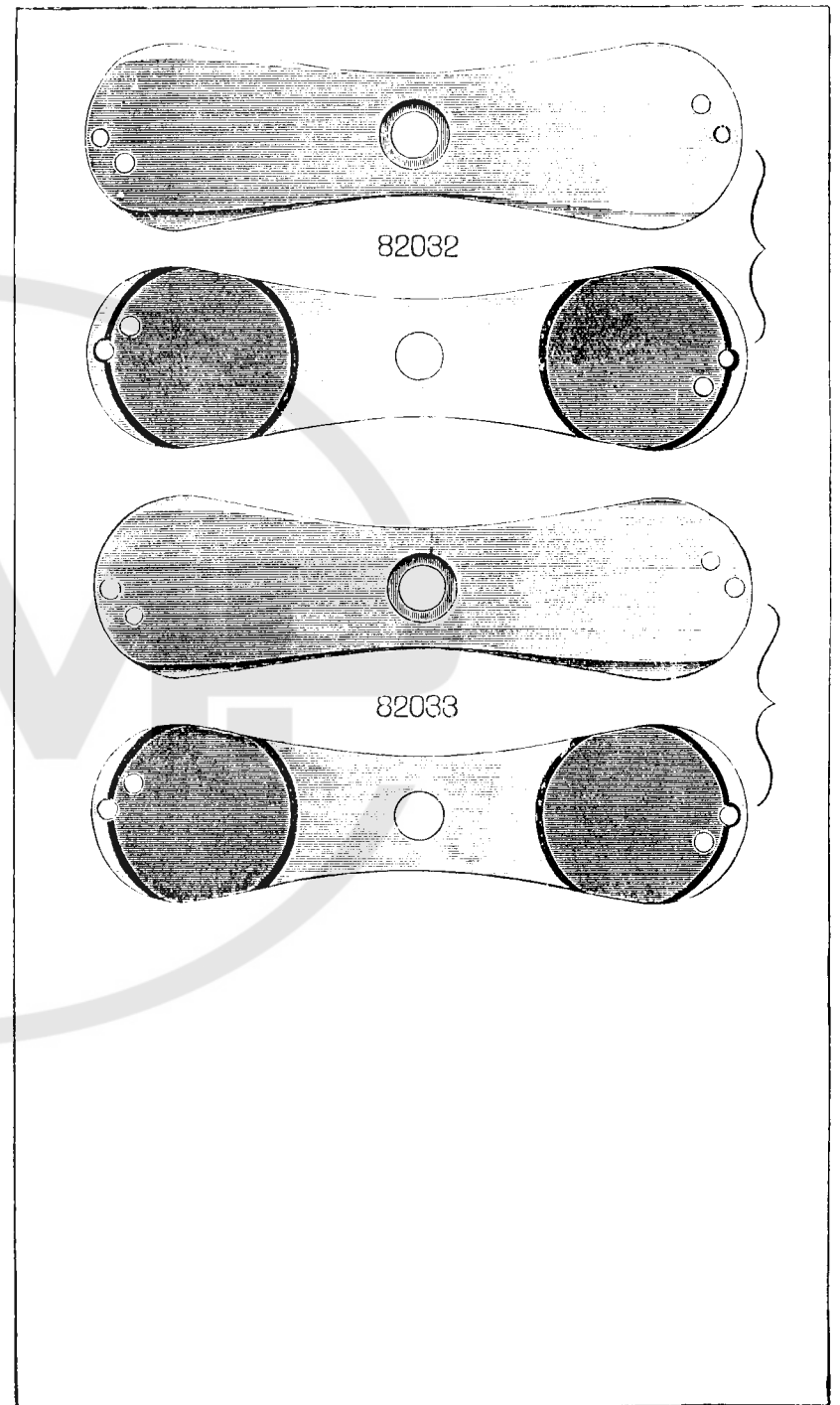
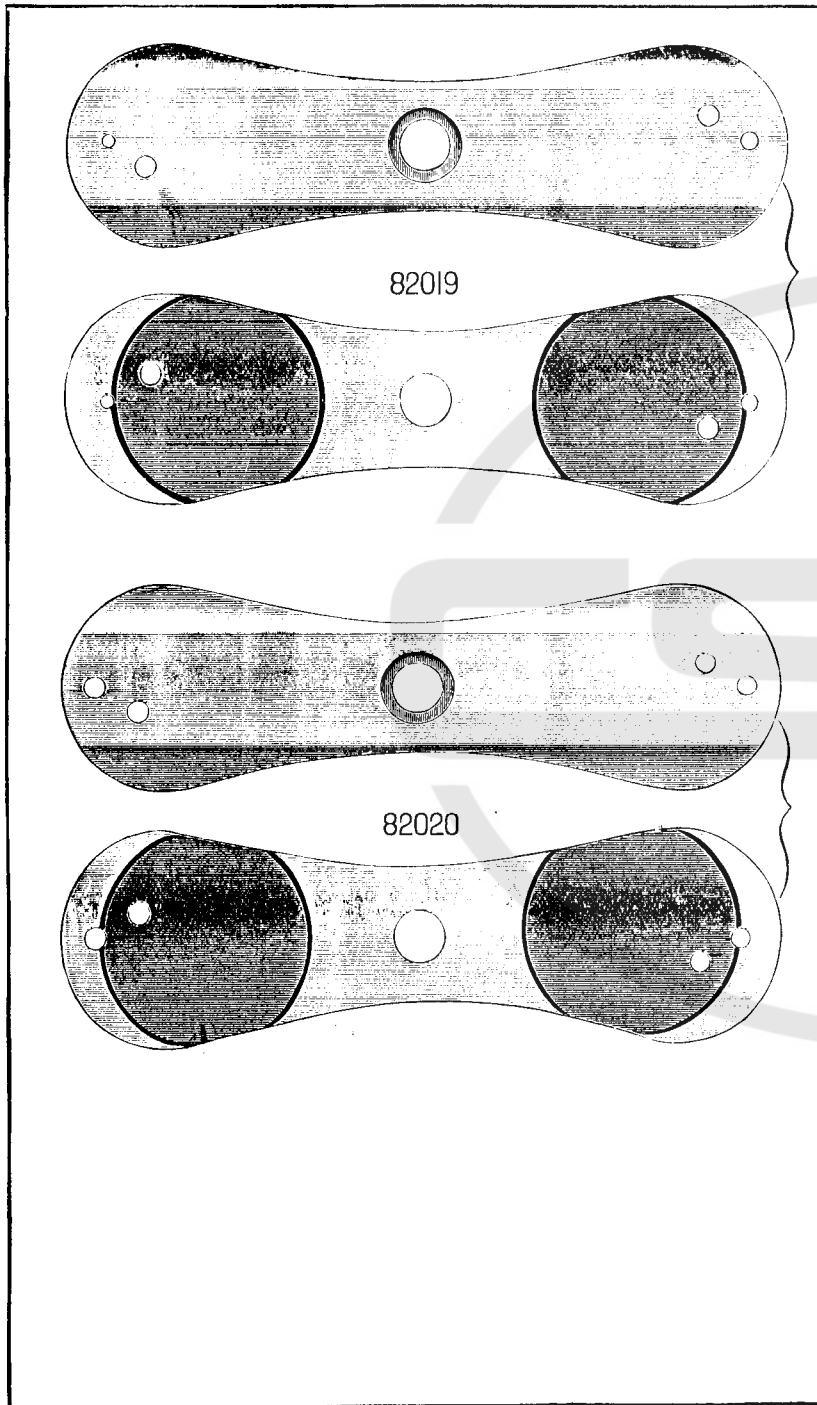
82004

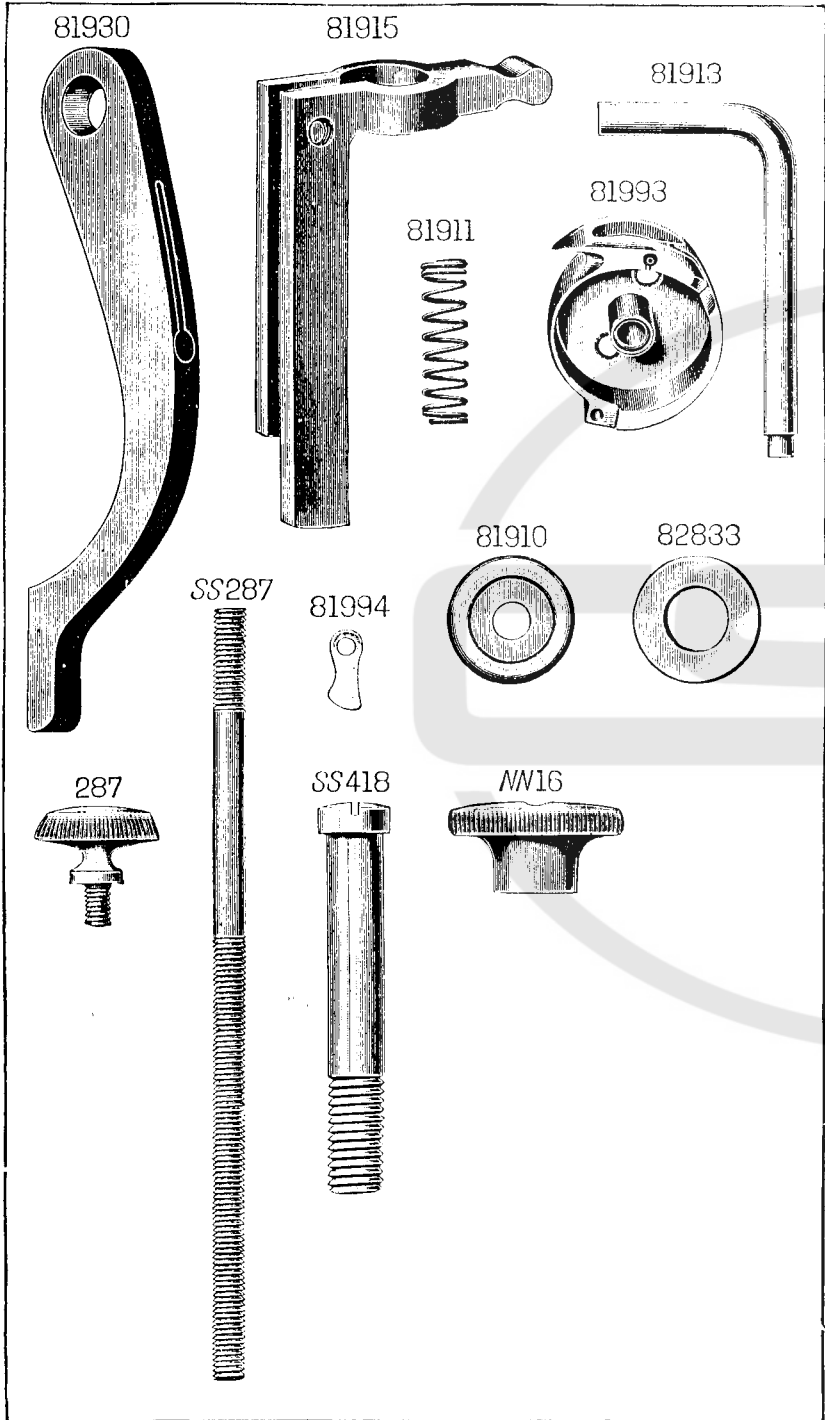












# CONTENTS.

	Page
Parts, Complete, for No. 29K1 Machine	33
"    Special to " 29K2	37
"    "    "    " 29K3	37
"    "    "    " 29K4	38
"    "    "    " 29K10	39
"    "    "    " 29K11	40
"    "    "    " 29K12	41
"    "    "    " 29K13	42
"    "    "    " 29K14	43
"    "    "    " 29K15	44
"    "    "    " 29K16	46
"    "    "    " 29K17	47
"    "    "    " 29K18	49
"    "    "    " 29K21 (Obsolete)	66
"    "    "    " 29K22	51
"    "    "    " 29K23	53
Parts, Complete, for No. 29K30 Machine	55
"    Special to " 29K31	59
"    "    "    " 29K32	60
"    "    "    " 29K33	61
Accessories,	62
Binders,	62
Bobbin Winders,	63
Obsolete Parts,	64



# ILLUSTRATED LIST OF PARTS FOR CLASS 29K MACHINES.

(29K1 to 29K4, 29K10 to 29K18, 29K21 to 29K23 and  
29K30 to 29K33).



In ordering from this List, the prefix and affix letters, with the part number, **MUST BE** quoted exactly as they are shown in the first column.

A number always indicates the same part, in whatever List it may appear, or for whatever machine.

The prefix *SS* indicates Screws made only at Singer.  
" " *NN* " Nuts made only at Singer.  
" " *RR* " Rollers and Studs made only at Singer.

The affix Letters (where shown) indicate the style of finish, as follows:

- A. Hardened, Polished and Plated.
- B. Polished and Plated.
- C. Hardened only.
- D. Polished only.
- E. Soft, not Polished.
- F. Hardened and Polished.
- H. Blued.
- J. Plated only.
- K. Hardened and Plated.
- L. Brass or Gilt.
- M. Oxidised.
- P. Japanned.
- R. Parkerised.

In this series: -

- 1 to 1500 and 50001 to 51500 are Screw Numbers.
- 1501 " 1800 are Nut Numbers.
- 1801 " 2000 " Roller "
- 2001 " 50000 are numbers of machine parts, etc.
- 80001 " 100000 are numbers of machine parts, etc.,  
made only at Singer.

*Parts marked with an asterisk (\*) are furnished only when the repairs  
are made at Factory.*

# PARTS COMPLETE FOR 29K1 MACHINE.



UNIVERSAL FEED ARM. FOR GENERAL WORK.

No.	Plate						
*81851			<b>Arm of Machine with 4449</b> ... ..				
118c	170	" " "	Base Screw ... ..				
4288	156	" " "	Side Cover (Back) ... ..				
286d	170	" " "	" " Thumb Screw ... ..				
8673	156	" " "	" " (Front) ... ..				
207e	170	" " "	" " Screw ... ..				
81852	155		<b>Balance Wheel with two 43fc</b> ... ..				
434c	170	" " "	Set Screw ... ..				
8659	159		<b>Check Lever</b> ... ..				
8554	161	" " "	Joint Pin ... ..				
8555	158	" " "	Spring ... ..				
207d	170	" " "	" Screw ... ..				
14026	161	" " "	" Steady Pin ... ..				
SS337f	170	" " "	Thread Take-up Adjustment Screw ... ..				
NN66d	170	" " "	" " " " Thumb Nut ... ..				
82007	158		<b>Feeding Foot</b> ... ..				
8557	158	" " "	(Narrow Fork) (fine) ... ..				
8558	158	" " "	" " " " (coarse) ... ..				
193d	170	" " "	Screw ... ..				
NOTE.—No. 82007 is supplied with this Machine unless other Feeding Foot is specified on order.							
8559	159		<b>Feed Motion Bell Crank Lever</b> ... ..				
194c	170	" " "	" " " " Joint Screw ... ..				
8186f	159	" " "	Cam Wheel with RR18 and 81868 ... ..				
11663	161	" " "	" " Pin ... ..				
8562	156	" " "	Ring Slide Bar with 1816 ... ..				
1816	161	" " "	" " " " Cam Roller and Stud ... ..				

No.	Plate						
8675	156	<b>Foot Bar</b>	...	...	...	...	...
8564	159	" " Revolving Joint	...	...	...	...	...
8694	159	" " " " Bearing	...	...	...	...	...
8566	--	" " " " " 8694 with 8564 and 8571	...	...	...	...	...
8567	159	" " " " Guide Plate	...	...	...	...	...
81935	164	" " " " Rivet	...	...	...	...	...
8569	161	" " " " Hinge Pin	...	...	...	...	...
8570	159	" " " " Slide Rod	...	...	...	...	...
8571	159	" " " " Washer	...	...	...	...	...
81878	159	<b>Foot Bar Revolving Joint, complete, Nos. 8566, 8567, 8570 and two 81935</b>	...	...	...	...	...
82027	163	<b>Head of Machine</b>	...	...	...	...	...
128d	170	" Binding Screw	...	...	...	...	...
8573	156	" Revolving Bush	...	...	...	...	...
8574	158	" " " Friction Spring	...	...	...	...	...
207d	170	" " " " Screw	...	...	...	...	...
8575	161	" " " " Pin	...	...	...	...	...
82012	156	" " " Handle	...	...	...	...	...
152f	170	" " " " Screw	...	...	...	...	...
8577	158	" " " Supporting Washer	...	...	...	...	...
211d	170	" " " " Screw	...	...	...	...	...
82026	162	<b>Lifter</b>	...	...	...	...	...
66f	170	" Bearing Screw	...	...	...	...	...
*81856	--	<b>Lower Arm and Bed</b>	...	...	...	...	...
8582	161	" " " " Steady Pin	...	...	...	...	...
8655	--	<b>Needle Bar</b>	...	...	...	...	...
81858	164	" " Clamp with 237f	...	...	...	...	...
SS50d	170	" " " Screw	...	...	...	...	...
237f	170	" " Needle Clamping Screw	...	...	...	...	...
8656	164	" " Thread Tension Spring	...	...	...	...	...
SS133d	170	" " " " Screw	...	...	...	...	...
81857	156	<b>Needle Bar, complete, Nos. SS50d, 8655, 8656, 81858 and two SS133d</b>	...	...	...	...	...
8661	155	<b>Needle Bar Cam and Pulley Wheel with 361c</b>	...	...	...	...	...
3012	161	" " " " " " Pin	...	...	...	...	...
361c	170	" " " " " " Set Screw	...	...	...	...	...
81859	155	<b>Needle Bar Driving Lever, with 1801 and 14026</b>	...	...	...	...	...
8586	161	" " " " Joint Pin	...	...	...	...	...
1801	161	" " " " Cam Roller and Stud	...	...	...	...	...

No.	Plate						
81860	158	<b>Needle Bar Piston Joint</b>	...	...	...	...	...
8589	161	" " " " Pin	...	...	...	...	...
8590	155	" " Threading Wire	...	...	...	...	...
82013	266	<b>Needle Plate (Fine and Medium Needle Holes)</b>	...	...	...	...	...
82014	266	" " (Medium Needle Holes)	...	...	...	...	...
84d	170	" " Bearing Screw	...	...	...	...	...
8593	161	" " Catch Pin	...	...	...	...	...
8594	158	" " " " Spring	...	...	...	...	...
8595	161	" " " " Stud	...	...	...	...	...
207d	170	" " " " Screw	...	...	...	...	...

NOTE.--No. 82014 is sent with this Machine unless other Needle Plate is specified on order.

8670	156	<b>Oil Cup with 8597 and 8695</b>	...	...	...	...	...
8695	--	" " Oil Pad (Felt)	...	...	...	...	...
327d	170	" " Screw	...	...	...	...	...
8597	158	" " Spring	...	...	...	...	...
8598	160	<b>Pinion Cover Plate</b>	...	...	...	...	...
393c	170	" " " Screw	...	...	...	...	...
8599	158	<b>Rack (Short)</b>	...	...	...	...	...
8600	155	<b>Rack Connection Rod (Long)</b>	...	...	...	...	...
82010	155	<b>Shaft</b>	...	...	...	...	...
4449	157	" Bushing	...	...	...	...	...
8604	161	<b>Shuttle Bobbin</b>	...	...	...	...	...
8654	161	" Body	...	...	...	...	...
8611	161	" Tension Spring	...	...	...	...	...
662d	170	" " Regulating Screw	...	...	...	...	...
8603	...	<b>Shuttle, complete, Nos. 662d, 8604, 8611 and 8654</b>	...	...	...	...	...
8605	161	<b>Shuttle Carrier, with 211d and 8610</b>	...	...	...	...	...
8610	161	" " Spring	...	...	...	...	...
241d	170	" " " Screw	...	...	...	...	...
33513	158	<b>Shuttle Carrier Driving Pinion with 1335c</b>	...	...	...	...	...
1335c	170	" " " " Screw Pin	...	...	...	...	...
8607	158	" " " " Bushing	...	...	...	...	...
8609	161	" " " " Stud	...	...	...	...	...
8608	158	" " Following Pinion	...	...	...	...	...

## No. 29K1 MACHINE PARTS.

No.	Plate					
81862	160	<b>Shuttle Driving Cam</b>	with 361c	...	...	...
3012	161	"	" " " Pin	...	...	...
1808	161	"	" " " Roller and Stud	...	...	...
361c	170	"	" " " Set Screw	...	...	...
8613	156	<b>Shuttle Driving Lever,</b>	with 1808 and 8614	...	...	...
7d	170	"	" " " Bearing Screw	...	...	...
8614	161	"	" " " Stud	...	...	...
14026	161	"	" " " " Pin	...	...	...
8601	161	<b>Spool Pin</b>	...	...	...	...
8615	159	<b>Stitch Regulator</b>	...	...	...	...
8616	159	"	" " Gib	...	...	...
288d	170	"	" " Thumb Screw	...	...	...
668d	170	<b>Tension Adjusting Stud</b>	...	...	...	...
1560d	170	"	" " " Thumb Nut	...	...	...
8617	159	"	" Cup (Release)	...	...	...
8618	158	"	" Disc	...	...	...
84113	158	"	" Washer (Leather)	...	...	...
8619	158	"	" Spring	...	...	...
8620	158	<b>Thread Eyelet (Head of Arm)</b>	...	...	...	...
207d	170	"	" " Screw	...	...	...
8621	159	<b>Vibrating Presser Lifting Lever</b>	...	...	...	...
41d	170	"	" " " " Screw	...	...	...
8624	159	"	" " Regulating Lever	...	...	...
515c	170	"	" " " " Clamping Screw	...	...	...
8568	164	"	" " " " " Rivet	...	...	...
41d	170	"	" " " " Screw	...	...	...
8625	159	"	" " " " Slide Block	...	...	...
8626	159	"	" " " " Washer	...	...	...
RR18	161	"	" " Roller	...	...	...
81868	161	"	" " " Pin	...	...	...
8627	156	"	" " Spring (Flat)	...	...	...
1539d	170	"	" " " Lock Nut	...	...	...
274d	170	"	" " " Screw	...	...	...
128e	170	<b>Machine Screw</b>	(for fastening Machine to Stand)	...	...	...
SS130e	162	"	" " (for fastening Machine to Power Table)	...	...	...
87345	162	"	" " Washer (for use with SS130)	...	...	...

## No. 29K2 Machine.

## UNIVERSAL FEED ARM. FOR GENERAL WORK, WITH SIDE WHEEL.

This Machine is the same as 29K1, with the following exceptions:—

No.	Plate					
*81864	—	<b>Arm of Machine</b>	with 4449	...	...	...
81865	155	<b>Balance Wheel</b>	with two 434c	...	...	...
81866	156	"	" " Handle (Wood)	...	...	...
SS135d	170	"	" " " Spindle	...	...	...
1519d	170	"	" " " " Nut	...	...	...
81867	156	"	" " Hub	...	...	...
SS45e	170	"	" " " Screw	...	...	...
82008	160	"	" " Shaft	...	...	...
81869	160	"	" " " Gear	...	...	...
11663	161	"	" " " " Pin	...	...	...
81871	160	<b>Shuttle Driving Cam</b>	with SS235c	...	...	...
81872	160	"	" " " Gear	...	...	...
SS235c	170	"	" " " " Set Screw	...	...	...

## No. 29K3 Machine.

## UNIVERSAL FEED ARM. FOR WAXED THREAD.

This Machine is the same as 29K1, with the following exceptions:—

8666	158	<b>Feeding Foot</b>	...	...	...	...
NOTE.—Nos. 8666 and 82007 are sent with this Machine unless other Feeding Feet are specified on order.						
283d	170	<b>Head Revolving Bush Stop Thumb Screw</b>	...	...	...	...
*81874	—	<b>Lower Arm and Bed</b>	...	...	...	...
82015	266	<b>Needle Plate</b>	(Fine and Medium Needle Holes)	...	...	...
82016	267	"	" " (Medium and Coarse Needle Holes)	...	...	...
NOTE.—No. 82016 is sent with this Machine unless other Needle Plate is specified on order.						
81876	161	<b>Shuttle Tension Spring</b>	...	...	...	...
81964	—	<b>Shuttle, complete,</b>	Nos. 662d, 8604, 8654 and 81876	...	...	...
413d	170	<b>Tension Adjusting Stud</b>	...	...	...	...
2102	158	"	" Disc	...	...	...
2103	162	"	" Spring	...	...	...
81877	161	"	" Thread Guide Pin	...	...	...
1560d	170	<b>Tension Adjusting Stud Thumb Nut</b>	...	...	...	...

## No. 29K4 Machine.

### UNIVERSAL FEED ARM. FOR WAXED THREAD, WITH SIDE WHEEL.

This Machine is the same as 29K1, with the following exceptions:

No.	Plate		...	...	...	...
*81864	—	<b>Arm of Machine</b> with 4449	...	...	...	...
81865	155	<b>Balance Wheel</b> , with two 434c	...	...	...	...
81866	156	" " Handle (Wood)	...	...	...	...
SS135d	170	" " " Spindle	...	...	...	...
1519d	170	" " " " Nut	...	...	...	...
81867	156	" " Hub	...	...	...	...
SS45c	170	" " " Screw	...	...	...	...
82008	160	" " Shaft	...	...	...	...
81869	160	" " " Gear	...	...	...	...
11663	161	" " " " Pin	...	...	...	...
8666	158	<b>Feeding Foot</b>	...	...	...	...
NOTE.—Nos. 8666 and 82007 are sent with this Machine unless other Feeding Feet are specified on order.						
283d	170	<b>Head Revolving Bush Stop Thumb Screw</b>	...	...	...	...
*81874	—	<b>Lower Arm and Bed</b>	...	...	...	...
82015	266	<b>Needle Plate</b> (Fine and Medium Needle Holes)	...	...	...	...
82016	267	" " (Medium and Coarse Needle Holes)	...	...	...	...
NOTE.—No. 82016 is sent with this Machine unless other Needle Plate is specified on order.						
81876	161	<b>Shuttle Tension Spring</b>	...	...	...	...
81964	—	<b>Shuttle</b> , complete, Nos. 662d, 8604, 8654 and 81876	...	...	...	...
81871	160	<b>Shuttle Driving Cam</b> , with SS235c	...	...	...	...
81872	160	" " " Gear	...	...	...	...
SS235c	170	" " " " Set Screw	...	...	...	...
413d	170	<b>Tension Adjusting Stud</b>	...	...	...	...
2102	158	" Disc	...	...	...	...
2103	162	" Spring	...	...	...	...
81877	161	" Thread Guide Pin	...	...	...	...
1560d	170	<b>Tension Adjusting Stud Thumb Nut</b>	...	...	...	...

4/23

## No. 29K10 Machine.

### UNIVERSAL FEED ARM. FOR LONG STITCH.

This Machine is the same as 29K1, with the following exceptions:

No.	Plate		...	...	...	...
81934	162	<b>Feed Motion Bell Crank Lever</b>	...	...	...	...
81882	157	" " Cam Wheel with RR18 and 81868	...	...	...	...
81883	157	<b>Foot Bar</b>	...	...	...	...
82028	162	<b>Lifter</b>	...	...	...	...
*81886	—	<b>Lower Arm and Bed</b>	...	...	...	...
81887	—	<b>Needle Bar</b>	...	...	...	...
81888	—	" " Clamp with 237f	...	...	...	...
81889	163	<b>Needle Bar</b> , complete, Nos. SS50d, 8656, 81887, 81888 and two SS133d	...	...	...	...
81890	157	<b>Needle Bar Cam and Pulley Wheel</b> with 361c	...	...	...	...
81891	162	" " Piston Joint	...	...	...	...
81892	157	<b>Plate</b> (acting as Pad between Lower Arm and Upper Arm)	...	...	...	...
SS162d	162	<b>Vibrating Presser Lifting Lever Screw</b>	...	...	...	...

## No. 29K11 Machine.

### UNIVERSAL FEED ARM. FOR LONG STITCH, WITH SIDE WHEEL.

This Machine is the same as 29K1, with the following exceptions:—

No.	Plate	
*81864	—	Arm of Machine, with 4449
81865	155	Balance Wheel, with two 434c
81866	156	" " Handle (Wood)
SS135d	170	" " " Spindle
1519d	170	" " " " Nut
81867	156	" " Hub
SS45e	170	" " " Screw
82008	160	" " Shaft
81869	160	" " " Gear
11663	161	" " " " Pin
81934	162	Feed Motion Bell Crank Lever
81882	157	" " Cam Wheel with RR18 and 81868
81883	157	Foot Bar
82028	162	Lifter
*81886	—	Lower Arm and Bed
81887	—	Needle Bar
81888	—	" " Clamp with 237f
81889	163	Needle Bar, complete, Nos. SS50d, 8656, 81887, 81888 and two SS133d
81890	157	Needle Bar Cam and Pulley Wheel, with 361c
81891	162	" " Piston Joint
81892	157	Plate (acting as Pad between Lower Arm and Upper Arm)
81871	160	Shuttle Driving Cam, with SS235e
81872	160	" " " Gear
SS235c	170	" " " " Set Screw

## No. 29K12 Machine.

### UNIVERSAL FEED ARM, WITH NARROW ARM, 1" ACROSS AND $\frac{3}{8}$ " DEEP.

This Machine is the same as 29K1, with the following exceptions:—

No.	Plate	
*81893	—	Bed
*81894	—	Lower Arm (Narrow)
*81895	—	Lower Arm and Bed, complete, Nos. 81893, 81894 and four 123e
123e	170	" " " " Binding Screw
82030	—	Needle Bar
82031	157	Needle Bar, complete, Nos. SS50d, 8656, 81858, 82030 and two SS133d
82032	948	Needle Plate (Fine and Medium Needle Holes)
81898	160	Pinion Cover Plate
81899	163	Rack Connection Rod (Long)
81900	158	Shuttle Carrier Driving Pinion
8645	161	" " " " Pin
8608	158	" " Following Pinion
8609	161	" " " " Stud

## No. 29K13 Machine.

UNIVERSAL FEED ARM, WITH NARROW ARM,  
1" ACROSS AND  $\frac{3}{8}$ " DEEP. WITH SIDE WHEEL.

This Machine is the same as 29K1, with the following exceptions:—

No.	Plate						
*81864	---	<b>Arm of Machine</b> , with 4449	...	...	...	...	...
81865	155	<b>Balance Wheel</b> , with two 434c	...	...	...	...	...
81866	156	" " Handle (Wood)	...	...	...	...	...
SS135d	170	" " " Spindle	...	...	...	...	...
1519d	170	" " " " Nut	...	...	...	...	...
81867	156	" " Hub	...	...	...	...	...
SS145c	170	" " " Screw	...	...	...	...	...
82008	160	" " Shaft	...	...	...	...	...
81869	160	" " " Gear	...	...	...	...	...
11663	161	" " " " Pin	...	...	...	...	...
*81893	---	<b>Bed</b>	...	...	...	...	...
*81894	---	<b>Lower Arm (Narrow)</b>	...	...	...	...	...
*81895	---	<b>Lower Arm and Bed</b> , complete, Nos. 81893, 81894 and four	...	...	...	...	...
123c	170	" " " " Binding Screw	...	...	...	...	...
82030	---	<b>Needle Bar</b>	...	...	...	...	...
82031	157	<b>Needle Bar</b> , complete, Nos. SS50d, 8656, 81858, 82030 and two	...	...	...	...	...
		SS133d					
82032	948	<b>Needle Plate</b> (Fine and Medium Needle Holes)	...	...	...	...	...
81898	160	<b>Pinion Cover Plate</b>	...	...	...	...	...
81899	163	<b>Rack Connection Rod (Long)</b>	...	...	...	...	...
81900	158	<b>Shuttle Carrier Driving Pinion</b>	...	...	...	...	...
8645	161	" " " " Pin	...	...	...	...	...
8608	158	" " Following Pinion	...	...	...	...	...
8609	161	" " " " Stud	...	...	...	...	...
81871	160	<b>Shuttle Driving Cam</b> , with SS235c	...	...	...	...	...
81872	160	" " " Gear	...	...	...	...	...
SS235c	170	" " " " Set Screw	...	...	...	...	...

## No. 29K14 Machine.

UNIVERSAL FEED ARM, WITH NARROW ARM, 1"  
ACROSS AND  $\frac{3}{8}$ " DEEP. FOR WAXED THREAD.

This Machine is the same as 29K1, with the following exceptions:—

No.	Plate						
*81893	---	<b>Bed</b>	...	...	...	...	...
8666	158	<b>Feeding Foot</b>	...	...	...	...	...
		NOTE: Nos. 8666 and 82007 are sent with this Machine unless					
		other Feeding Feet are specified on order.					
283d	170	<b>Head Revolving Bush Stop Thumb Screw</b>	...	...	...	...	...
*81894	---	<b>Lower Arm (Narrow)</b>	...	...	...	...	...
*81895	---	<b>Lower Arm and Bed</b> , complete, Nos. 81893, 81894 and four	...	...	...	...	...
123c	170	" " " " Binding Screw	...	...	...	...	...
82030	---	<b>Needle Bar</b>	...	...	...	...	...
82031	157	<b>Needle Bar</b> , complete, Nos. SS50d, 8656, 81858, 82030 and two	...	...	...	...	...
		SS133d					
82033	948	<b>Needle Plate</b> (Medium and Coarse Needle Holes)	...	...	...	...	...
81898	160	<b>Pinion Cover Plate</b>	...	...	...	...	...
81899	163	<b>Rack Connection Rod (Long)</b>	...	...	...	...	...
81876	161	<b>Shuttle Tension Spring</b>	...	...	...	...	...
81964	---	<b>Shuttle</b> , complete Nos. 662d, 8604, 8654 and 81876	...	...	...	...	...
81900	158	<b>Shuttle Carrier Driving Pinion</b>	...	...	...	...	...
8645	161	" " " " Pin	...	...	...	...	...
8608	158	" " Following Pinion	...	...	...	...	...
8609	161	" " " " Stud	...	...	...	...	...
413d	170	<b>Tension Adjusting Stud</b>	...	...	...	...	...
2102	158	" Disc	...	...	...	...	...
2103	162	" Spring	...	...	...	...	...
81877	161	" Thread Guide Pin	...	...	...	...	...
1560d	170	<b>Tension Adjusting Stud Thumb Nut</b>	...	...	...	...	...

## No. 29K15 Machine.

UNIVERSAL FEED ARM, WITH NARROW ARM, 1" ACROSS  
AND  $\frac{7}{8}$ " DEEP. FOR WAXED THREAD, WITH SIDE WHEEL.

This Machine is the same as 29K1, with the following exceptions:—

No.	Plate				
*81864	—	Arm of Machine with 4449	...	...	...
81865	155	Balance Wheel with two 434c	...	...	...
81866	156	" " Handle (Wood)	...	...	...
SS135d	170	" " " Spindle	...	...	...
1519d	170	" " " Nut	...	...	...
81867	156	" " Hub	...	...	...
SS45e	170	" " " Screw	...	...	...
82008	160	" " " Shaft	...	...	...
81869	160	" " " Gear	...	...	...
11663	161	" " " Pin	...	...	...
*81893	—	Bed	...	...	...
8666	158	Feeding Foot	...	...	...
NOTE.—Nos. 8666 and 82007 are sent with this Machine unless other Feeding Feet are specified on order					
283d	170	Head Revolving Bush Stop Thumb Screw	...	...	...
*81894	—	Lower Arm (Narrow)	...	...	...
*81895	—	Lower Arm and Bed, complete, Nos. 81893, 81894 and four	...	...	...
123c	170	" " " " Binding Screw	...	...	...
82030	—	Needle Bar	...	...	...
82031	157	Needle Bar, complete, Nos. SS50d, 8656, 81858, 82030 and two	...	...	...
82033	948	Needle Plate (Medium and Coarse Needle Holes)	...	...	...
81898	160	Pinion Cover Plate	...	...	...
81899	163	Rack Connection Rod (Long)	...	...	...

No.	Plate				
81876	161	Shuttle Tension Spring	...	...	...
81964	—	Shuttle, complete, Nos. 662d, 8604, 8654 and 81876	...	...	...
81900	158	Shuttle Carrier Driving Pinion	...	...	...
8645	161	" " " " Pin	...	...	...
8608	158	" " Following Pinion	...	...	...
8609	161	" " " " Stud	...	...	...
81871	160	Shuttle Driving Cam with SS235c	...	...	...
81872	160	" " " Gear	...	...	...
SS235c	170	" " " " Set Screw	...	...	...
413d	170	Tension Adjusting Stud	...	...	...
2102	158	" Disc	...	...	...
2103	162	" Spring	...	...	...
81877	161	" Thread Guide Pin	...	...	...
1560d	170	Tension Adjusting Stud Thumb Nut	...	...	...

## No. 29K16 Machine.

UNIVERSAL FEED ARM, WITH NARROW ARM, 1" ACROSS AND  
 $\frac{3}{4}$ " DEEP. FOR WORSTED SLIPPER WORK. FOR LONG STITCH.

This Machine is the same as 29K1, with the following exceptions:

No.	Plate	
*81902	—	<b>Bed</b> ... ..
81934	162	<b>Feed Motion Bell Crank Lever</b> ... ..
81882	157	" " <b>Cam Wheel with RR18 and S1868</b> ... ..
81883	157	<b>Foot Bar</b> ... ..
82028	162	<b>Lifter</b> ... ..
*81894	—	<b>Lower Arm (Narrow)</b> ... ..
*81903	—	<b>Lower Arm and Bed, complete, Nos. 81894, 81902 and four</b> 123e 170 " " " " <b>Binding Screw</b> ... ..
81887	—	<b>Needle Bar</b> ... ..
81888	—	" " <b>Clamp with 237f</b> ... ..
81889	163	<b>Needle Bar, complete, Nos. SS50d, 8656, 81887, 81888 and two</b> SS133d
81890	157	<b>Needle Bar Cam and Pulley Wheel, with 361c</b> ... ..
82032	948	<b>Needle Plate (Fine and Medium Needle Holes)</b> ... ..
81892	157	<b>Plate (acting as Pad between Lower Arm and Upper Arm)</b> ... ..
81898	160	<b>Pinion Cover Plate</b> ... ..
81899	163	<b>Rack Connection Rod (Long)</b> ... ..
81900	158	<b>Shuttle Carrier Driving Pinion</b> ... ..
8645	161	" " " " <b>Pin</b> ... ..
8608	158	" " <b>Following Pinion</b> ... ..
8609	161	" " " " <b>Stud</b> ... ..
SS162d	162	<b>Vibrating Presser Lifting Lever Screw</b> ... ..

## No. 29K17 Machine.

UNIVERSAL FEED ARM, WITH TOP AND BOTTOM FEED.  
 FOR SHOE BINDING

This Machine is the same as 29K1 with the following exceptions:

No.	Plate	
85675	164	<b>Binder, complete, <math>\frac{3}{4}</math>"</b> , with Cord Guide in Centre of Folder ... ..
81909	—	<b>Braid Bobbin</b> ... ..
SS287d	949	" " <b>Screw Spindle</b> ... ..
NX16d	949	" " " " <b>Thumb Nut</b> ... ..
81910	949	" " " " <b>Disc</b> ... ..
81911	949	" " " " <b>Spring</b> ... ..
81912	—	<b>Braid Holder Brass Base Plate with 81913</b> ... ..
287d	949	" " " " <b>Binding Thumb Screw</b> ... ..
81913	949	" " " " <b>Pin (Bent) (for fastening to</b> Arm of Mch.)
81914	163	<b>Braid Holder, complete, Nos. 287d, 81912 and (two each NX16d,</b> SS287d and 81909 to 81911
81916	168	<b>Feed Dog (Upper)</b> ... ..
81917	168	" " <b>(Lower)</b> ... ..
SS210d	170	" " ( " ) <b>Position Screw</b> ... ..
81918	168	" " <b>Position Stud</b> ... ..
8645	164	" " " " <b>Stop Pin</b> ... ..
81920	—	<b>Feed Dog (Upper and Lower), complete, Nos. SS210d, 81916,</b> 81917, two each 8645 and 81918
81925	168	<b>Feed Dog and Throat Plate combined, Nos. 81920 and 81924</b>
81945	949	<b>Feed Motion Bell Crank Lever</b> ... ..
283d	170	<b>Head Revolving Bush Stop Thumb Screw</b> ... ..
82028	162	<b>Lifter</b> ... ..
*81926	—	<b>Lower Arm and Bed</b> ... ..



No	Plate	
81927	—	<b>Needle Bar</b> ... ..
81888	—	" " Clamp with 237f ... ..
81928	163	<b>Needle Bar</b> , complete, Nos. SS50d, 8656, 81888, 81927 and two SS133d
81891	162	<b>Needle Bar Piston Joint</b> ..
81929	164	<b>Tenston Cup</b> ... ..
81921	168	<b>Throat Plate</b> (Upper) with 81923 ... ..
81922	168	" " (Lower) ... ..
393d	170	" " (Upper and Lower) Connecting Screw ... ..
81923	168	" " Binder Position Block ... ..
84d	170	" " Binding Screw ... ..
286d	170	" " Thumb Screw (for Binder) ... ..
81924	—	<b>Throat Plate</b> (Upper and Lower), complete, Nos. 84d, 81921, 81922 and two 393d
81930	949	<b>Vibrating Presser Lifting Lever</b> ... ..

## No. 29K18 Machine.

UNIVERSAL FEED ARM, WITH TOP AND BOTTOM FEED. FOR SHOE BINDING, WITH SIDE WHEEL.

This Machine is the same as 29K1, with the following exceptions:—

No.	Plate	
*81864	—	<b>Arm of Machine</b> with 4449 ... ..
81865	155	<b>Balance Wheel</b> with two 434c ... ..
81866	156	" " Handle (Wood) ... ..
SS135d	170	" " " Spindle ... ..
1519d	170	" " " " Nut ... ..
81867	156	" " Hub ... ..
SS45e	170	" " " Screw ... ..
82008	160	" " Shaft ... ..
81869	160	" " " Gear ... ..
11663	161	" " " " Pin ... ..
85675	164	<b>Binder</b> , complete, $\frac{3}{4}$ ", with Cord Guide in Centre of Folder ... ..
81909	—	<b>Braid Bobbin</b> ... ..
SS287d	949	" " Screw Spindle ... ..
NN16d	949	" " " " Thumb Nut ... ..
81910	949	" " " " Disc ... ..
81911	949	" " " " Spring ... ..
81912	—	<b>Braid Holder Brass Base Plate</b> with 81913 ... ..
287d	949	" " " " " Binding Thumb Screw ... ..
81913	949	" " " " " Pin (Bent) (for fastening to Arm of Mch.)
81914	163	<b>Braid Holder</b> , complete, Nos. 287d, 81912 and two each NN16d, SS287d and 81909 to 81911
81916	168	<b>Feed Dog</b> (Upper) ... ..
81917	168	" " (Lower) ... ..
SS210d	170	" " ( " ) Position Screw ... ..
81918	168	" " Position Stud ... ..
8645	164	" " " " Stop Pin ... ..
81920	—	<b>Feed Dog</b> (Upper and Lower), complete, Nos. SS210d, 81916, 81917, two each 8645 and 81918

No.	Plate	
81925	168	<b>Feed Dog and Throat Plate</b> combined, Nos. 81920 and 81924
81915	949	<b>Feed Motion Bell Crank Lever</b> ... ..
283d	170	<b>Head Revolving Bush Stop Thumb Screw</b> ... ..
82028	162	<b>Lifter</b> ... ..
*81926	—	<b>Lower Arm and Bed</b> ... ..
81927	—	<b>Needle Bar</b> ... ..
81888	—	" " <b>Clamp with 237f</b> ... ..
81928	163	<b>Needle Bar</b> , complete, Nos. SS50d, 8656, 81888, 81927 and two SS133d
81891	162	<b>Needle Bar Piston Joint</b> ... ..
81871	160	<b>Shuttle Driving Cam</b> with SS235c ... ..
81872	160	" " " <b>Gear</b> ... ..
SS235c	170	" " " <b>Set Screw</b> ... ..
81929	164	<b>Tension Cup</b> ... ..
81921	168	<b>Throat Plate</b> (Upper) with 81923 ... ..
81922	168	" " (Lower) ... ..
393d	170	" " (Upper and Lower) <b>Connecting Screw</b> ... ..
81923	168	" " <b>Binder Position Block</b> ... ..
84d	170	" " <b>Binding Screw</b> ... ..
286d	170	" " <b>Thumb Screw (for Binder)</b> ... ..
81924	—	<b>Throat Plate</b> (Upper and Lower), complete, Nos. 84d, 81921, 81922 and two 393d
81930	949	<b>Vibrating Presser Lifting Lever</b> ... ..

## No. 29K22 Machine.

UNIVERSAL FEED ARM, WITH TOP AND BOTTOM FEED, FOR SHOE BINDING, FOR LONG STITCH,  $\frac{1}{8}$ ".

This Machine is the same as 29K1, with the following exceptions:—

No	Plate	
85675	164	<b>Binder</b> , complete, $\frac{3}{8}$ ", with Cord Guide in Centre of Folder ... ..
81909	—	<b>Braid Bobbin</b> ... ..
SS287d	949	" " <b>Screw Spindle</b> ... ..
NN16d	949	" " " <b>Thumb Nut</b> ... ..
81910	949	" " " <b>Disc</b> ... ..
81911	949	" " " <b>Spring</b> ... ..
81912	—	<b>Braid Holder Brass Base Plate</b> with 81913 ... ..
287d	949	" " " " <b>Binding Thumb Screw</b> ... ..
81913	949	" " " " <b>Pin (Bent)</b> (for fastening to Lower Arm of Mch). ... ..
81914	163	<b>Braid Holder</b> , complete, Nos. 287d, 81912 and two each NN16d, SS287d and 81909 to 81911
81916	168	<b>Feed Dog</b> (Upper) ... ..
81917	168	" " (Lower) ... ..
SS210d	170	" " ( " ) <b>Position Screw</b> ... ..
81918	168	" " <b>Position Stud</b> ... ..
8645	164	" " " <b>Stop Pin</b> ... ..
81920	—	<b>Feed Dog</b> (Upper and Lower) combined, Nos. SS210d, 81916, 81917, two each 8645 and 81918
81933	168	<b>Feed Dog and Throat Plate</b> combined, Nos. 81920 and 81932
81934	162	<b>Feed Motion Bell Crank Lever</b> ... ..
81882	157	" " <b>Cam Wheel</b> with RR18 and 81868 ... ..
81883	157	<b>Foot Bar</b> ... ..
283d	170	<b>Head Revolving Bush Stop Thumb Screw</b> ... ..
82028	162	<b>Lifter</b> ... ..

## No. 29K22 MACHINE PARTS.

No.	Plate	
*81926	—	<b>Lower Arm and Bed</b> ... ..
81887	—	<b>Needle Bar</b> ... ..
81888	—	" " Clamp with 237f ... ..
81889	163	<b>Needle Bar</b> , complete, Nos. SS50d, 8656, 81887, 81888 and two SS133d
81890	157	<b>Needle Bar Cam and Pulley Wheel</b> with 361c ... ..
81891	162	" " Piston Joint ... ..
81892	157	<b>Plate</b> (acting as Pad between Lower Arm and Upper Arm) ... ..
81921	168	<b>Throat Plate</b> (Upper) with 81923 ... ..
81931	168	" " (Lower) ... ..
393d	170	" " (Upper and Lower) Connecting Screw ... ..
81923	168	" " Binder Position Block ... ..
84d	170	" " Binding Screw ... ..
286d	170	" " Thumb Screw (for Binder) ... ..
81932	—	<b>Throat Plate</b> (Upper and Lower), complete, Nos. 84d, 81921, 81931 and two 393d
SS162d	162	<b>Vibrating Presser Lifting Lever Screw</b> ... ..

## No. 29K23 Machine.

UNIVERSAL FEED ARM, WITH TOP AND BOTTOM FEED, FOR SHOE BINDING, FOR LONG STITCH ( $\frac{3}{8}$ " ), WITH SIDE WHEEL.

This Machine is the same as 29K1, with the following exceptions:—

No.	Plate	
*81864	—	<b>Arm of Machine</b> with 4449 ... ..
81865	155	<b>Balance Wheel</b> with two 43tc ... ..
81866	156	" " Handle (Wood) ... ..
SS135d	170	" " " Spindle ... ..
1519d	170	" " " " Nut ... ..
81867	156	" " Hub ... ..
SS45e	170	" " " Screw ... ..
82008	160	" " Shaft ... ..
81869	160	" " " Gear ... ..
11663	161	" " " " Pin ... ..
85675	164	<b>Binder</b> , complete, $\frac{3}{8}$ " , with Cord Guide in Centre of Folder ... ..
81909	—	<b>Braid Bobbin</b> ... ..
SS287d	949	" " Screw Spindle ... ..
NN16d	949	" " " " Thumb Nut ... ..
81910	949	" " " " Disc ... ..
81911	949	" " " " Spring ... ..
81912	—	<b>Braid Holder Brass Base Plate</b> with 81913 ... ..
287d	949	" " " " " Binding Thumb Screw ... ..
81913	949	" " " " " Pin (Bent) (for fastening to Lower Arm of Mch.)
81914	163	<b>Braid Holder</b> , complete, Nos. 287d, 81912 and two each NN16d, SS287d and 81909 to 81911
81916	168	<b>Feed Dog</b> (Upper) ... ..
81917	168	" " (Lower) ... ..
SS210d	170	" " ( " ) Position Screw ... ..
81918	168	" " Position Stud ... ..
8645	164	" " " " Stop Pin ... ..
81920	—	" " (Upper and Lower) combined, Nos. SS210d, 81916, 81917, two each 8645 and 81918

No.	Plate	
81933	168	<b>Feed Dog and Throat Plate</b> combined, Nos. 81920 and 81932
81934	162	<b>Feed Motion Bell Crank Lever</b> ... ..
81882	157	" " <b>Cam Wheel</b> with RR18 and 81868 ... ..
81883	157	<b>Foot Bar</b> ... ..
283d	170	<b>Head Revolving Bush Stop Thumb Screw</b> ... ..
82028	162	<b>Lifter</b> ... ..
*81926	—	<b>Lower Arm and Bed</b> ... ..
81887	—	<b>Needle Bar</b> ... ..
81888	—	" " <b>Clamp</b> with 237f ... ..
81889	163	<b>Needle Bar</b> , complete, Nos. SS50d, 8656, 81887, 81888, and two SS133d
81890	157	<b>Needle Bar Cam and Pulley Wheel</b> with 361c ... ..
81891	162	" " <b>Piston Joint</b> ... ..
81892	157	<b>Plate</b> (acting as Pad between Lower Arm and Upper Arm) ... ..
81871	160	<b>Shuttle Driving Cam</b> with SS235c ... ..
81872	160	" " " <b>Gear</b> ... ..
SS235c	170	" " " <b>Set Screw</b> ... ..
81921	168	<b>Throat Plate</b> (Upper) with 81923 ... ..
81931	168	" " (Lower) ... ..
393d	170	" " (Upper and Lower) <b>Connecting Screw</b> ... ..
81923	168	" " <b>Binder Position Block</b> ... ..
84d	170	" " <b>Binding Screw</b> ... ..
286d	170	" " <b>Thumb Screw</b> (for Binder) ... ..
81932	—	<b>Throat Plate</b> (Upper and Lower), complete, Nos. 84d, 81921, 81931 and two 393d
SS162d	162	<b>Vibrating Presser Lifting Lever Screw</b> ... ..

# PARTS COMPLETE

FOR

## 29K30 MACHINE.



UNIVERSAL FEED ARM, 17½" FROM NEEDLE TO  
BASE OF ARM, FITTED FOR WAXED THREAD.

No.	Plate	
*81936	—	<b>Arm of Machine</b> with 449 ... ..
118e	170	" " " <b>Base Screw</b> ... ..
4288	156	" " " <b>Side Cover</b> (Back) ... ..
286d	170	" " " " " <b>Thumb Screw</b> ... ..
8673	156	" " " " " (Front) ... ..
207e	170	" " " " " <b>Screw</b> ... ..
81937	—	<b>Balance Wheel</b> with two 434c ... ..
434c	170	" " <b>Set Screw</b> ... ..
8659	159	<b>Check Lever</b> ... ..
8554	161	" " <b>Joint Pin</b> ... ..
8555	158	" " <b>Spring</b> ... ..
207d	170	" " " <b>Screw</b> ... ..
14026	161	" " " <b>Steady Pin</b> ... ..
SS337f	170	" " <b>Thread Take-up Adjustment Screw</b> ... ..
NN66d	170	" " " " " <b>Thumb Nut</b> ... ..
82007	158	<b>Feeding Foot</b> ... ..
8666	158	" " <b>for Waxed Thread</b> ... ..
8557	158	" " (Narrow Fork) (Fine) ... ..
8558	158	" " ( " ) (Coarse) ... ..
193d	170	" " <b>Screw</b> ... ..

NOTE.—Nos. 8666 and 82007 are sent with this Machine unless  
other Feeding Feet are specified on order.

8559	159	<b>Feed Motion Bell Crank Lever</b> ... ..
194e	170	" " " <b>Joint Screw</b> ... ..
81861	159	" " <b>Cam Wheel</b> with RR18 and 81868 ... ..
11663	161	" " " <b>Pin</b> ... ..
8562	156	" " <b>Ring Slide Bar</b> with 1816 ... ..
1816	161	" " " <b>Cam Roller and Stud</b> ... ..

No.	Plate						
8675	156	<b>Foot Bar</b>	...	...	...	...	...
8564	159	" " Revolving Joint	...	...	...	...	...
8694	159	" " " " Bearing	...	...	...	...	...
8566	—	" " " " " 8694 with 8564 and 8571	...	...	...	...	...
8567	159	" " " " Guide Plate	...	...	...	...	...
81935	164	" " " " " Rivet	...	...	...	...	...
8569	161	" " " " Hinge Pin	...	...	...	...	...
8570	159	" " " " Slide Rod	...	...	...	...	...
8571	159	" " " " Washer	...	...	...	...	...
81878	159	<b>Foot Bar Revolving Joint, complete, Nos. 8566, 8567, 8570 and two 81935</b>	...	...	...	...	...
82027	163	<b>Head of Machine</b>	...	...	...	...	...
128d	170	" Binding Screw	...	...	...	...	...
8573	156	" Revolving Bush	...	...	...	...	...
8574	158	" " " Friction Spring	...	...	...	...	...
207d	170	" " " " " Screw	...	...	...	...	...
8575	161	" " " " " Pin	...	...	...	...	...
82012	156	" " " Handle	...	...	...	...	...
152f	170	" " " " " Screw	...	...	...	...	...
283d	170	" " " Stop Thumb Screw	...	...	...	...	...
8577	158	" " " Supporting Washer	...	...	...	...	...
211d	170	" " " " " Screw	...	...	...	...	...
82026	162	<b>Lifter</b>	...	...	...	...	...
66f	170	" Bearing Screw	...	...	...	...	...
*81938	—	<b>Lower Arm and Bed</b>	...	...	...	...	...
8582	161	" " " " Steady Pin	...	...	...	...	...
81939	—	<b>Needle Bar</b>	...	...	...	...	...
81858	164	" " Clamp with 237f	...	...	...	...	...
SS50d	170	" " " Screw	...	...	...	...	...
237f	170	" " Needle Clamping Screw	...	...	...	...	...
8656	164	" " Thread Tension Spring	...	...	...	...	...
SS133d	170	" " " " " Screw	...	...	...	...	...
81940	163	<b>Needle Bar, complete, Nos. SS50d, 8656, 81858, 81939 and two SS133d</b>	...	...	...	...	...
81941	155	<b>Needle Bar Cam and Pulley Wheel with 361e</b>	...	...	...	...	...
3012	161	" " " " " " Pin	...	...	...	...	...
361e	170	" " " " " " Set Screw	...	...	...	...	...
81942	155	<b>Needle Bar Driving Lever with 1801 and 14026</b>	...	...	...	...	...
81943	161	" " " " Joint Pin	...	...	...	...	...
1801	161	" " " " Cam Roller and Stud	...	...	...	...	...

No	Plate						
81860	158	<b>Needle Bar Piston Joint</b>	...	...	...	...	...
8589	161	" " " " Pin	...	...	...	...	...
8590	155	" " Threading Wire	...	...	...	...	...
82019	268	<b>Needle Plate (Fine and Medium Needle Holes)</b>	...	...	...	...	...
82020	268	" " (Medium and Coarse Needle Holes)	...	...	...	...	...
84d	170	" " Bearing Screw	...	...	...	...	...
8593	161	" " Catch Pin	...	...	...	...	...
81946	158	" " " " Spring	...	...	...	...	...
8595	161	" " " " " Stud	...	...	...	...	...
207d	170	" " " " " Screw	...	...	...	...	...
NOTE.— No. 82020 is sent with this Machine unless other Needle Plate is specified on order.							
8670	156	<b>Oil Cup with 8597 and 8695</b>	...	...	...	...	...
8695	—	" " Oil Pad (Felt)	...	...	...	...	...
327d	170	" " Screw	...	...	...	...	...
8597	158	" " Spring	...	...	...	...	...
81947	160	<b>Pinion Cover Plate</b>	...	...	...	...	...
393e	170	" " " Screw	...	...	...	...	...
81948	158	<b>Rack (Short)</b>	...	...	...	...	...
81949	155	<b>Rack Connection Rod (Long)</b>	...	...	...	...	...
82011	155	<b>Shaft</b>	...	...	...	...	...
4449	157	" Bushing	...	...	...	...	...
82552	161	<b>Shuttle Bobbin (Solid, Hardened)</b>	...	...	...	...	...
7868	161	" " Retaining Spring	...	...	...	...	...
SS133d	170	" " " " " Screw	...	...	...	...	...
81993	949	" Body	...	...	...	...	...
81994	949	" Tension Spring	...	...	...	...	...
SS132d	170	" " Regulating Screw	...	...	...	...	...
81951	161	" Thread Pull-off	...	...	...	...	...
404d	170	" " " " " Screw	...	...	...	...	...
81952	161	<b>Shuttle, complete, Nos. SS132d, SS133d, 404d, 7868, 81951, 81993, 81994 and 82552</b>	...	...	...	...	...
81953	161	<b>Shuttle Carrier</b>	...	...	...	...	...
81954	164	" " Box Bushing	...	...	...	...	...
82029	158	" " Driving Pinion with 1335c	...	...	...	...	...
1335c	170	" " " " " Screw Pin	...	...	...	...	...
81956	158	" " Following Pinion	...	...	...	...	...
81957	164	" " " " Stud	...	...	...	...	...

No	Plate						
81862	160	<b>Shuttle Driving Cam</b> with 361c	...	...	...	...	...
3012	161	" " " Pin	...	...	...	...	...
1808	161	" " " Roller and Stud	...	...	...	...	...
361c	170	" " " Set Screw	...	...	...	...	...
8613	156	<b>Shuttle Driving Lever</b> with 1808 and 8614	...	...	...	...	...
7d	170	" " " Bearing Screw	...	...	...	...	...
8614	161	" " " Stud	...	...	...	...	...
14026	161	" " " " Pin	...	...	...	...	...
8601	161	<b>Spool Pin</b>	...	...	...	...	...
8615	159	<b>Stitch Regulator</b>	...	...	...	...	...
8616	159	" " Gib	...	...	...	...	...
288d	170	" " Thumb Screw	...	...	...	...	...
668d	170	<b>Tension Adjusting Stud</b>	...	...	...	...	...
413d	170	" " " for Waxed Thread	...	...	...	...	...
1560d	170	" " " Thumb Nut	...	...	...	...	...
8617	159	" Cup (Release)	...	...	...	...	...
8618	158	" Disc	...	...	...	...	...
2102	158	" " for Waxed Thread	...	...	...	...	...
84113	158	" " Washer (Leather)	...	...	...	...	...
8619	158	" Spring	...	...	...	...	...
80548	158	" " for Waxed Thread	...	...	...	...	...
81877	161	" Thread Guide Pin for Waxed Thread	...	...	...	...	...
8620	158	<b>Thread Eyelet</b> (head of arm)	...	...	...	...	...
207d	170	" " Screw	...	...	...	...	...
8621	159	<b>Vibrating Presser Lifting Lever</b>	...	...	...	...	...
41d	170	" " " " Screw	...	...	...	...	...
8624	159	" " Regulating Lever	...	...	...	...	...
515e	170	" " " " Clamping Screw	...	...	...	...	...
8568	164	" " " " " Rivet	...	...	...	...	...
41d	170	" " " " Screw	...	...	...	...	...
8625	159	" " " " Slide Block	...	...	...	...	...
8626	159	" " " " " Washer	...	...	...	...	...
RR18	161	" " Roller	...	...	...	...	...
81868	161	" " " Pin	...	...	...	...	...
8627	156	" " Spring (Flat)	...	...	...	...	...
1539d	170	" " " Lock Nut	...	...	...	...	...
274d	170	" " " Screw	...	...	...	...	...
137e	170	<b>Machine Screw</b> (for fastening Machine to Stand)	...	...	...	...	...
SS418e	949	" " (for fastening Machine to Power Table)	...	...	...	...	...
82833	949	" " Washer (for use with SS418)	...	...	...	...	...

## No. 29K31 Machine.

UNIVERSAL FEED ARM, 17½" FROM NEEDLE TO BASE OF ARM, FITTED FOR WAXED THREAD, WITH SIDE WHEEL.

This Machine is the same as 29K30, with the following exceptions:—

No.	Plate						
*81958		<b>Arm of Machine</b> with 4449	...	...	...	...	...
81959	155	<b>Balance Wheel</b> with two 434c	...	...	...	...	...
81866	156	" " Handle (Wood)	...	...	...	...	...
SS135d	170	" " " Spindle	...	...	...	...	...
1519d	170	" " " " Nut	...	...	...	...	...
81960	157	" " Hub	...	...	...	...	...
SS45c	170	" " " Screw	...	...	...	...	...
82009	164	" " Shaft	...	...	...	...	...
81869	160	" " " Gear	...	...	...	...	...
11663	161	" " " " Pin	...	...	...	...	...
81871	160	<b>Shuttle Driving Cam</b> with SS235c	...	...	...	...	...
81872	160	" " " Gear	...	...	...	...	...
SS235c	170	" " " " Set Screw	...	...	...	...	...

## No. 29K32 Machine.

UNIVERSAL UPPER FEED, 17½" FROM NEEDLE TO BASE OF ARM, FOR STITCHING IN SMALLER SPACES THAN 29K30, FITTED FOR WAXED THREAD.

This Machine is the same as 29K30, with the following exceptions:

No.	Plate	
*81962	—	Lower Arm and Bed
8655	—	Needle Bar
81857	156	Needle Bar, complete, Nos. SS50d, 8655, 8656, 81858, and two SS133d
82015	266	Needle Plate (Fine and Medium Needle Holes)
82016	267	" " (Medium and Coarse Needle Holes)
8594	158	" " Catch Pin Spring
NOTE.—No. 82016 is sent with this Machine unless other Needle Plate is specified on order.		
8598	160	Pinion Cover Plate
8599	158	Rack (Short)
81963	157	Rack Connection Rod (Long)
8604	161	Shuttle Bobbin
8654	161	" Body
81876	161	" Tension Spring
662d	170	" " Regulating Screw
81964	—	Shuttle, complete, Nos. 662d, 8604, 8654 and 81876
8605	161	Shuttle Carrier with 241d and 8610
8610	161	" " Spring
241d	170	" " Screw
33513	158	" " Driving Pinion with 1335c
8607	158	" " " " Bushing
8609	161	" " " " Stud
8608	158	" " Following Pinion
2103	162	Tension Spring

## No. 29K33 Machine.

UNIVERSAL FEED ARM, 17½" FROM NEEDLE TO BASE OF ARM, FOR STITCHING IN SMALLER SPACES THAN 29K30, FITTED FOR WAXED THREAD, WITH SIDE WHEEL.

This Machine is the same as 29K30, with the following exceptions:

No.	Plate	
*81958	—	Arm of Machine with 449
81959	155	Balance Wheel with two 434c
81866	156	" " Handle (Wood)
SS135d	170	" " " Spindle
1519d	170	" " " Nut
81960	157	" " Hub
SS45e	170	" " " Screw
82009	164	" " " Shaft
81869	160	" " " Gear
11663	161	" " " Pin
*81962	—	Lower Arm and Bed
8655	—	Needle Bar
81857	156	Needle Bar, complete, Nos. SS50d, 8655, 8656, 81858 and two SS133d
82015	266	Needle Plate (Fine and Medium Needle Holes)
82016	267	" " (Medium and Coarse Needle Holes)
8594	158	" " Catch Pin Spring
NOTE.—No. 82016 is sent with this Machine unless other Needle Plate is specified on order.		
8598	160	Pinion Cover Plate
8599	158	Rack (Short)
81963	157	Rack Connection Rod (Long)
8604	161	Shuttle Bobbin
8654	161	" Body
81876	161	" Tension Spring
662d	170	" " Regulating Screw
81964	—	Shuttle, complete, Nos. 662d, 8604, 8654 and 81876
8605	161	Shuttle Carrier with 241d and 8610
33513	158	" " Driving Pinion with 1335c
8607	158	" " " " Bushing
8609	161	" " " " Stud
8608	158	" " Following Pinion
8610	161	" " Spring
241d	170	" " " Screw
81871	160	Shuttle Driving Cam with SS235c
81872	160	" " " Gear
SS235c	170	" " " Set Screw
2103	162	Tension Spring

## ACCESSORIES.

ACCESSORIES supplied with Nos. 29K1 to 29K4, 29K10 to 29K18, 29K21 to 29K23, 29K32 and 29K33 Mchs.

No.	Plate	
8604	161	Bobbins (5) ... ..
—	—	Instruction Book ... ..
29 × 4	—	Needles (2 each sizes 19, 21 and 22) ... ..
8590	155	Needle Bar Threading Wire ... ..
36569	—	Oiler with 36571 ... ..
36571	—	" Spout, 1 $\frac{3}{4}$ " long ... ..
25537	—	Screw Driver (Machine) ... ..
25538	—	" " (Shuttle Tension) ... ..
128e	170	Screws (4) (for fastening Machine to Stand), for 29K1 to 29K4, 29K10 to 29K18 and 29K21 to 29K23 Machines ... ..
137e	170	Screws (4) (for fastening Machine to Stand), for 29K32 and 29K33 Machines ... ..

ACCESSORIES supplied with Nos. 29K30 and 29K31 Machines

These Accessories are the same as for 29K1 to 29K4 etc., Machines, with the following exceptions:—

82552	161	Bobbins (5) ... ..
137e	170	Screws (4) (for fastening Machine to Stand) ... ..

## BINDERS.

When ordering Binders, send Sample of the Binding and the Material to be bound.

BINDERS for Slipper Work, for Nos. 29K17, 29K18, 29K22 and 29K23 Machines.

85675	164	<b>Binder</b> , complete, $\frac{3}{8}$ ", with Cord Guide in Centre of Folder ... ..
85676	—	<b>Binder</b> , complete, $\frac{3}{8}$ ", with Cord Guide at Side of Folder ... ..
85677	—	<b>Binder</b> , complete, $\frac{3}{8}$ ", less Cord Guide ... ..

## BOBBIN WINDERS.

BOBBIN WINDER (Eccentric) for Nos. 29K1 to 29K23 Machines.

No.	Plate	
8684	169	Eccentric ... ..
286d	170	" Thumb Screw ... ..
8683	169	Frame ... ..
128d	170	" Screw ... ..
8651	169	Spindle ... ..
81965	—	" 8651 with 8371 ... ..
8371	169	" Pulley ... ..
2460	169	" " Rubber Ring ... ..
81966	169	<b>Bobbin Winder</b> , complete, Nos. 128d, 286d, 2460, 8683, 8684 and 81965

BOBBIN WINDER (Eccentric) for Nos. 29K30 and 29K31 Machines.

81967	169	Bracket (to fasten to Machine) ... ..
159f	169	" Screw ... ..
81968	—	Eccentric ... ..
286d	170	" Thumb Screw ... ..
81969	169	Frame with 8554 ... ..
8554	169	" Steady Pin ... ..
SS79d	169	" Thumb Screw (to fasten to Bracket) ... ..
81970	169	Spindle ... ..
81971	—	" 81970 with 8371 ... ..
8371	169	" Pulley ... ..
2460	169	" " Rubber Ring ... ..
81972	169	<b>Bobbin Winder</b> , complete, Nos. SS79d, 286d, 2460, 81968, 81969 and 81971

Nos. 81967 and 159f are used with, but not included in, 81972.

BOBBIN WINDER (Eccentric) for Nos. 29K32 and 29K33 Machines.

81967	169	Bracket (to fasten to Machine) ... ..
159f	169	" Screw ... ..
81968	—	Eccentric ... ..
286d	170	" Thumb Screw ... ..
81969	169	Frame with 8554 ... ..
8554	169	" Steady Pin ... ..
SS79d	169	" Thumb Screw (to fasten to Bracket) ... ..
8651	169	Spindle ... ..
81965	—	" 8651 with 8371 ... ..
8371	169	" Pulley ... ..
2460	169	" " Rubber Ring ... ..
81973	—	<b>Bobbin Winder</b> , complete, Nos. SS79d, 286d, 2460, 81965, 81968 and 81969

Nos. 159f and 81967 are used with, but not included in, 81973.



## OBSOLETE PARTS.

No.	Plate	
81977	—	<b>Balance Wheel</b> with 361c for 29K1 Machine ... ..
81996	—	" " with two 434c for 29K2 Machine ... ..
81997	—	" " Hub for 29K2 Machine ... ..
81998	—	" " Shaft for 29K2 Machine ... ..
81999	—	" " Gear for 29K2 Machine ... ..
81978	—	<b>Check Lever</b> for 29K1 Machine ... ..
81981	—	<b>Feed Motion Cam Wheel</b> with RR18 and 81868 for 29K1 Machine
2117	161	" " " " Pin ... ..
81979	—	<b>Foot Bar Revolving Joint Guide Plate</b> ... ..
81982	—	<b>Head of Machine</b> for 29K1 Machine ... ..
81853	156	" " " for 29K1, 29K2, 29K10 to 29K12, 29K13, 29K16 to 29K18, 29K21 to 29K23 and 29K30 to 29K33 Machines ... ..
81873	—	<b>Head of Machine</b> for 29K3, 29K4, 29K14 and 29K15 Machines
81983	159	<b>Lifter</b> for 29K1 Machine ... ..
81854	159	" " 29K1 to 29K4, 29K12 to 29K15 and 29K30 to 29K33 Machines
81885	162	" " 29K10, 29K11, 29K16 to 29K18 and 29K21 to 29K23 Machines
81984	—	" Centre for 29K1 Machine ... ..
81985	158	" Spring for 29K1 Machine ... ..
81855	158	" Spring ... ..
81988	—	<b>Needle Bar Cam and Pulley Wheel</b> for 29K1 Machine ... ..
81987	—	" " Driving Lever with 1801 for 29K1 Machine ... ..
81986	158	" " Piston Joint for 29K1 Machine ... ..
8591	165	<b>Needle Plate</b> for 29K1, 29K2, 29K10, 29K11 and 29K21 Machines
82004	166	<b>Needle Plate</b> (Broad End) for 29K1, 29K2, 29K10, 29K11 and 29K21 Machines
82005	167	" " (Broad Ends) for 29K1, 29K2, 29K10, 29K11 and 29K21 Machines
82003	166	" " (Broad Ends) for 29K3, 29K4, 29K32 and 29K33 Machines

No.	Plate	
82006	167	<b>Needle Plate</b> (Broad Ends) for 29K3 and 29K4 Machines ... ..
81875	165	" " for 29K3, 29K4, 29K32 and 29K33 Machines ... ..
81897	167	" " (Broad End) for 29K12 to 29K16 Machines ... ..
81896	165	" " for 29K12, 29K13 and 29K16 Machines ... ..
82017	267	" " (Fine and Medium Needle Holes) for 29K12, 29K13 and 29K16 Machines
82018	267	" " (Medium and Coarse Needle Holes) for 29K14 and 29K15 Machines
81901	165	" " for 29K14 and 29K15 Machines ... ..
81944	166	" " for 29K30 and 29K31 Machines ... ..
82002	164	" " (Broad Ends) for 29K30 and 29K31 Machines ... ..
81989	—	<b>Shaft</b> for 29K1 Machine ... ..
81995	—	" " 29K2 " ... ..
81990	—	<b>Shuttle Carrier</b> with 241d and 81991 for 29K1 Machine ... ..
81991	—	" " Spring for 81990 ... ..
8606	—	<b>Shuttle Carrier Driving Pinion</b> with 627c for 29K1 to 29K4, 29K10, 29K11, 29K17, 29K18 and 29K21 to 29K23 Machines
81992	—	<b>Shuttle Driving Cam</b> for 29K1 Machine ... ..
82000	—	" " " with SS235c for 29K2 Machine ... ..
82001	—	" " " Gear for 29K2 Machine ... ..
81955	—	<b>Shuttle Carrier Driving Pinion</b> with 627c for 29K30 to 29K33 Machines ... ..

## No. 29K21 Machine. (OBSOLETE)

### UNIVERSAL FEED ARM, WITH HIGH LIFT, FOR SHOE BINDING.

This Machine is the same as 29K1, with the following exceptions:—

No.	Plate	
81915	949	<b>Feed Motion Bell Crank Lever</b> ... ..
*81926	—	<b>Lower Arm and Bed</b> ... ..
82028	162	<b>Lifter</b> ... ..
81927	—	<b>Needle Bar</b> ... ..
81888	—	" " Clamp with 237f ... ..
81928	163	<b>Needle Bar</b> , complete, Nos. SS50d, 8656, 81888, 81927 and two SS133d
81891	162	<b>Needle Bar Piston Joint</b> ... ..
81929	164	<b>Tension Cup</b> ... ..
81930	949	<b>Vibrating Presser Lifting Lever</b> ... ..

## Bobbin Winder for Nos. 29K1 to 29K21 Machines.

No.	Plate	
81974	169	<b>Frame</b> with 8568 ... ..
8568	169	" Stop Pin ... ..
28f	169	" Screw ... ..
81975	169	" Spring ... ..
7958	169	" " Steady Pin ... ..
8651	169	<b>Spindle</b> ... ..
8371	169	" Pulley ... ..
2460	169	" " Rubber Ring ... ..
81976	169	<b>Bobbin Winder</b> , complete, Nos. 28f, 2460, 7958, 8371, 8615, 81974 and 81975

## NUMERICAL LIST OF PARTS FOR CLASS 29K MACHINES.

No.	Plate	
7d	170	Shuttle Driving Lever Bearing Screw ...
NN16d	949	Braid Bobbin Screw Spindle Thumb Nut for 81914 ... ..
RR18	161	Vibrating Presser Roller for 81861, 81882 and 81981 ... ..
28f	169	Bobbin Winder Frame Screw for 81976 (Obs.)
41d	170	Vibrating Presser Lifting Lever Screw ...
41d	170	Vibrating Presser Regulating Lever Screw ...
SS45e	170	Balance Wheel Hub Screw for 29K2, 29K4, 29K11, 29K13, 29K15, 29K18, 29K23, 29K31 and 29K33 Machines ... ..
SS50d	170	Needle Bar Clamp Screw for 81857, 81889, 81928, 81940 and 82031 ... ..
66f	170	Lifter Bearing Screw ... ..
NN66d	170	Check Lever Thread Take-up Adjustment Screw Thumb Nut ... ..
SS79d	169	Bobbin Winder Frame Thumb Screw (to fasten to Bracket) for 81972 and 81973
84d	170	Needle Plate Bearing Screw ... ..
84d	170	Throat Plate Binding Screw for 81924 and 81932 ... ..
118e	170	Arm of Machine Base Screw ... ..
123e	170	Lower Arm and Bed Binding Screw for 81895 and 81903 ... ..
128d	170	Bobbin Winder Frame Screw for 81966 ...
128d	170	Head Binding Screw ... ..
128e	170	Machine Screw (for fastening Machine to Stand) for 29K1 to 29K4, 29K10 to 29K18, and 29K21 to 29K23 Machines ... ..
SS130e	162	Machine Screw (for fastening Machine to Power Table) for 29K1 to 29K4, 29K10 to 29K18 and 29K21 to 29K23 Machines ...
SS132d	170	Shuttle Tension Regulating Screw for 81952
SS133d	170	Needle Bar Thread Tension Spring Screw for 81857, 81889, 81928, 81940 and 82031 ...
SS133d	170	Shuttle Bobbin Retaining Spring Screw for 81952 ... ..
SS135d	170	Balance Wheel Handle Spindle for 29K2, 29K4, 29K11, 29K13, 29K15, 29K18, 29K23, 29K31 and 29K33 Machines ... ..