

SUNSHINE[®]

Industrial Sewing Machines.

MODEL 5500 SERIES

PARTS BOOK

CSMP

MOD. 5502PWB

5503TF

5503PTF

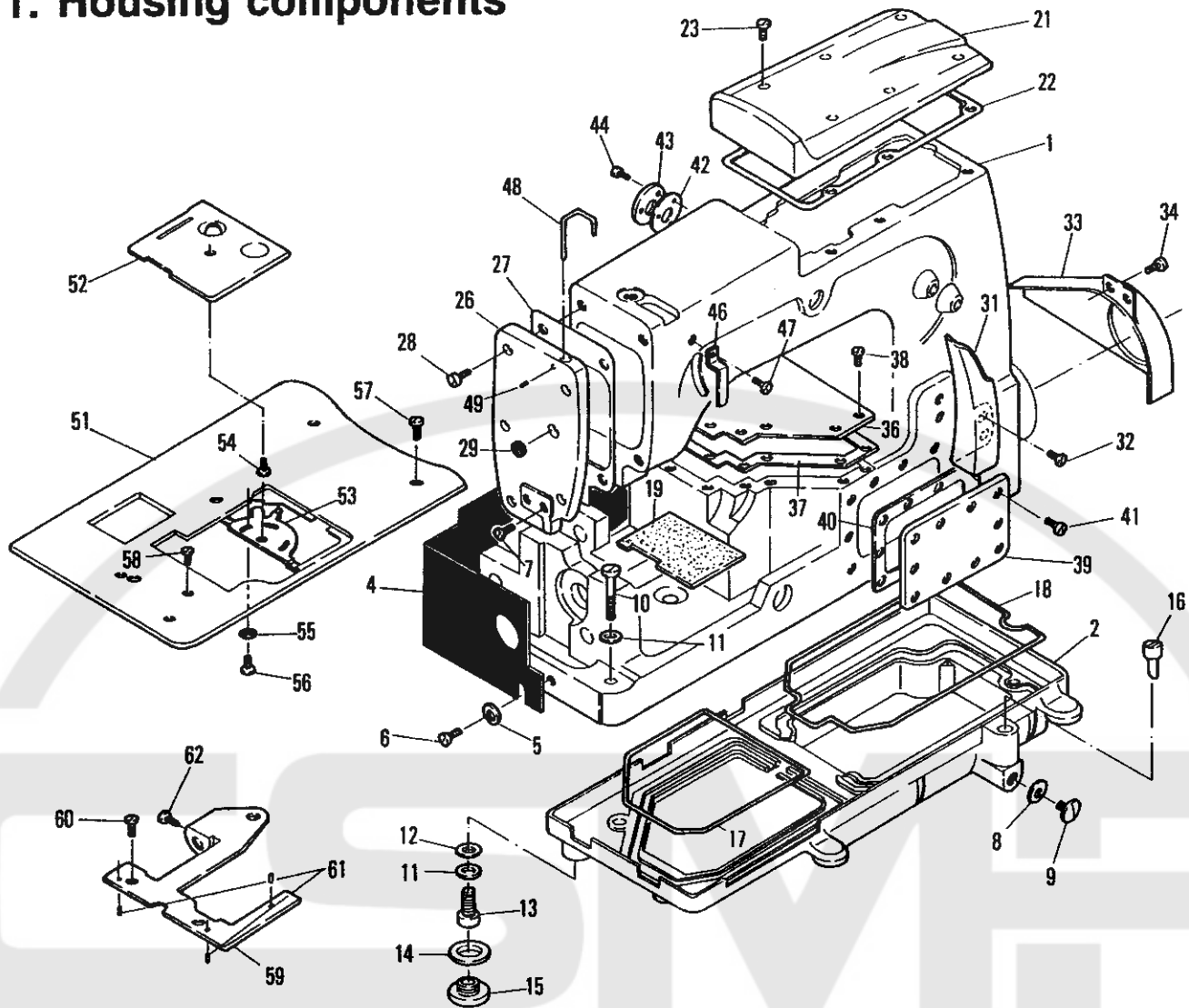
5504PWB

5504PWBC

Contents

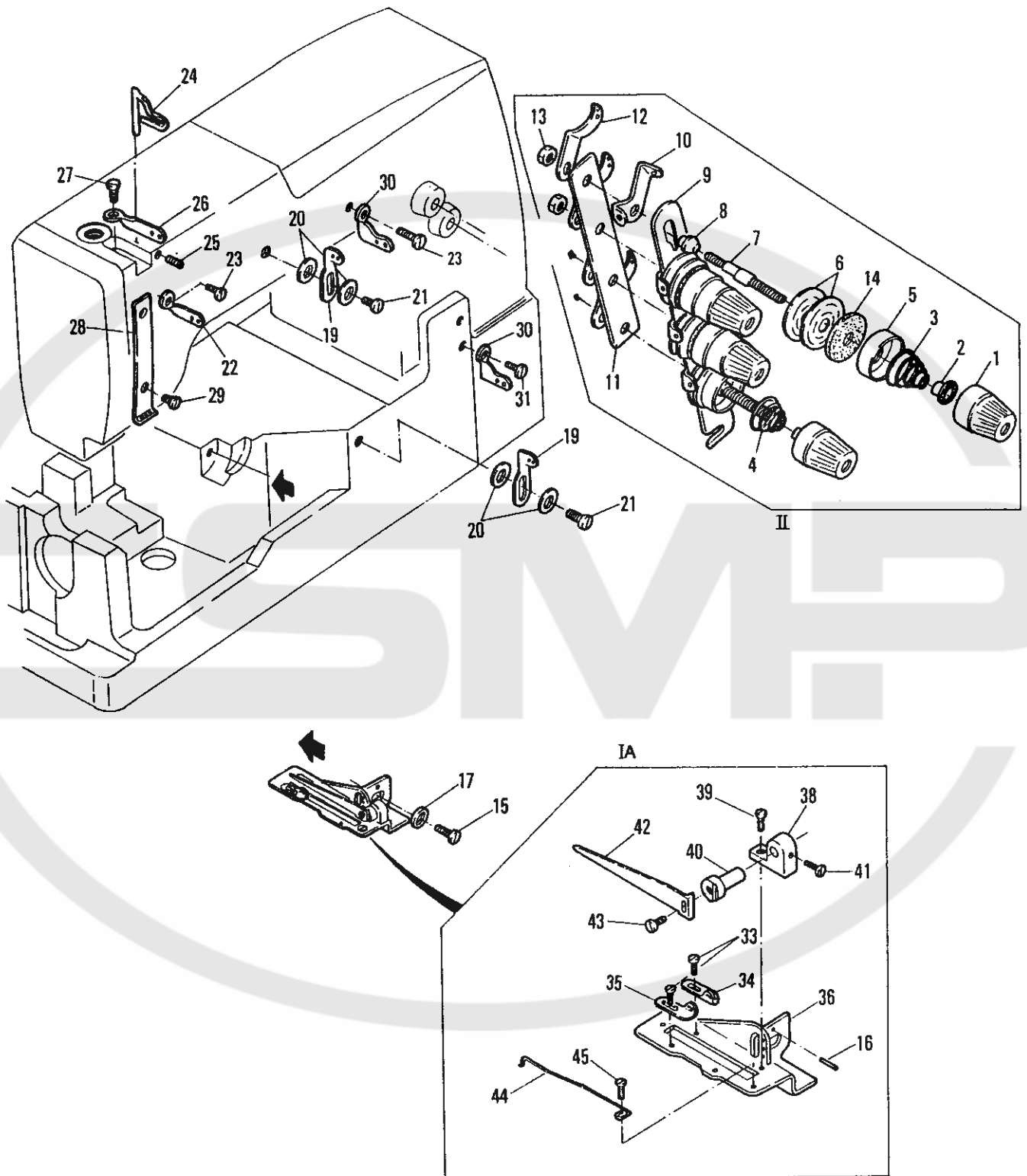
1. Housing components	1
2. Thread eyelet components	2
3. Bushings	4
4. Oil lubrication apparatus.	5
5. Needle lever crank.	6
6. Feed rocker.	8
7. Looper	10
8. Foot lifter mechanism.	11
9. Puller.	12
10. Gauge (1)	14
11. Gauge (2)	16
Subclass models	
12. 76702PMD • 76704PMD Front puller mechanism	18
13. 76701 P-HD-C.	20
14. 76702 P-HD	22
15. 76703P	23
16. 76703 P-TF.	24
17. 76704 P.	26
18. 76707 P • P-SF.	28
19. 76708 P Thread eyelet components (1).	30
20. Components (2)	31
21. Attachment (3)	32
22. Gauge • Double puller (4).	33
23. Thread stand	34
24. Tape stand • Accessories.	35
25. Table stand installation diagram	36

1. Housing components



Ref. No.	Part No.	Part Name	Q'ty	Ref. No.	Part No.	Part Name	Q'ty
1	B60101	Arm bed standard	1	33	B60133	Pulley cover	1
2	B60102	Oil reservoir	1	34	B60123	Screw	2
3				35			
4	B60104	Side plate cover	1	36	B60136	Oil reservoir top cover	1
5	B60105	Washer	3	37	B60137	Upper oil cover gasket	1
6	B60106	Screw	3	38	B60138	Screw	7
7	B60107	Screw	2	39	B60139	Front oil cover	1
8	B60108	Gasket	1	40	B60140	Front oil cover gasket	1
9	B60109	Screw	1	41	B60141	Screw	9
10	B60110	Screw	2	42	B60142	Oil seal plate gasket	1
11	B60111	Oil reservoir washer	6	43	B60143	Oil seal plate	1
12	B60112	Seal gasket	4	44	B60144	Screw	3
13	B60113	Screw	4	45			
14	B60114	Gasket	4	46	B60146	Needle lever eyelet safety plate	1
15	B60115	Screw	4	47	B60132	Screw	1
16	B60116	Oil gauge	1	48	B60148	Needle bar eyelet safety bar	1
17	B60117	Oil reservoir	1	49	B60149	Screw	1
18	B60118	Oil reservoir	1	50			
19	B60119	Oil filter	1	51	B60151	Upper cloth plate (1/8" - 1/2")	1
20				52	B60152	Slide plate (1/8" - 1/2")	1
21	B60121	Crank chamber oil cover	1	53	B60153	Spring for slide plate	1
22	B60122	Crank chamber oil cover gasket	1	54	B60154	Screw	1
23	B60123	Screw	6	55	B60155	Washer	3
24				56	B60156	Screw	3
25				57	B60157	Screw	2
26	B60126	Head cover	1	58	B60158	Screw	3
27	B60127	Head cover gasket	1	59	B60159	Needle plate support	1
28	B60123	Screw	5	60	B60160	Screw	3
29	B60129	Head cover oil seal cap	1	61	B60161	Knock pin	2
30				62	B60162	Screw	2
31	B60131	Tension discover	1				
32	B60433	Screw	2				

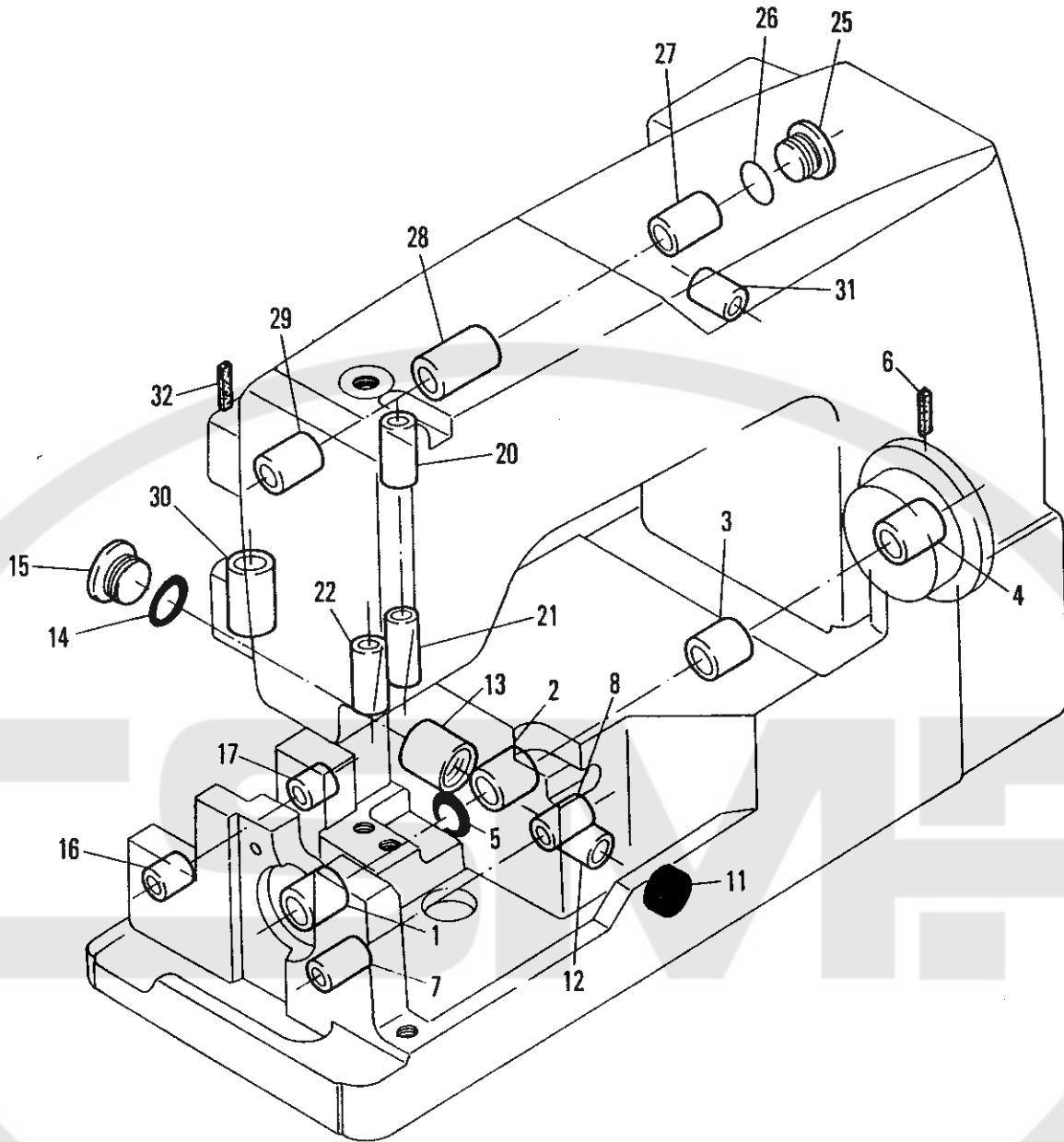
2. Thread eyelet components



Ref. No.	Part No.	Part Name	Q'ty	Ref. No.	Part No.	Part Name	Q'ty
1	B60201	Tension regulating nut	4	24	B80236	Needle thread take-up wire	1
2	B60202	Tension disc ratchet	4	25	B60225	Screw	1
3	B60203	Needle thread tension spring	2	26	B60226	Needle bar thread eyelet 2	1
4	B60204	Looper thread tension spring	2	27	B60132	Screw	1
5	B60205	Tension disc cover	4	28	B60228	Needle thread guide 3	1
6	B60206	Tension disc	8	29	B60229	Screw	2
7	B60207	Tension post	4	30	B60230	Looper thread eyelet 2	2
8	B60208	Tension post collar	4	31	B60231	Screw	1
9	B60209	Tension post support	1	32			
10	B60210	Tension post thread eyelet	4	33	B60233	Screw	2
11	B60211	Tension post holder	1	34	B60234	Looper thread guide eyelet (right)	1
12	B60212	Lead in thread eyelet	4	35	B60235	Looper thread guide eyelet (left)	1
13	B60213	Nut	2	36	B60236	Cast-off support plate	1
14	B60214	Felt	4	37			
15	B60107	Screw	1	38	B60238	Retainer support bracket	1
16	B60216	Pin	2	39	B60239	Screw	1
17	B60217	Washer	1	40	B60240	Pin for looper thread retainer	1
18				41	B60241	Screw	1
19	B60219	Needle thread eyelet 2	2	42	B60242	Looper thread retainer	1
20	B60105	Washer	4	43	B60132	Screw	1
21	B60123	Screw	2	44	B60244	Looper thread cast-off pin	1
22	B60222	Needle lever thread eyelet 2	1	45	B60233	Screw	1
23	B60132	Screw	2				

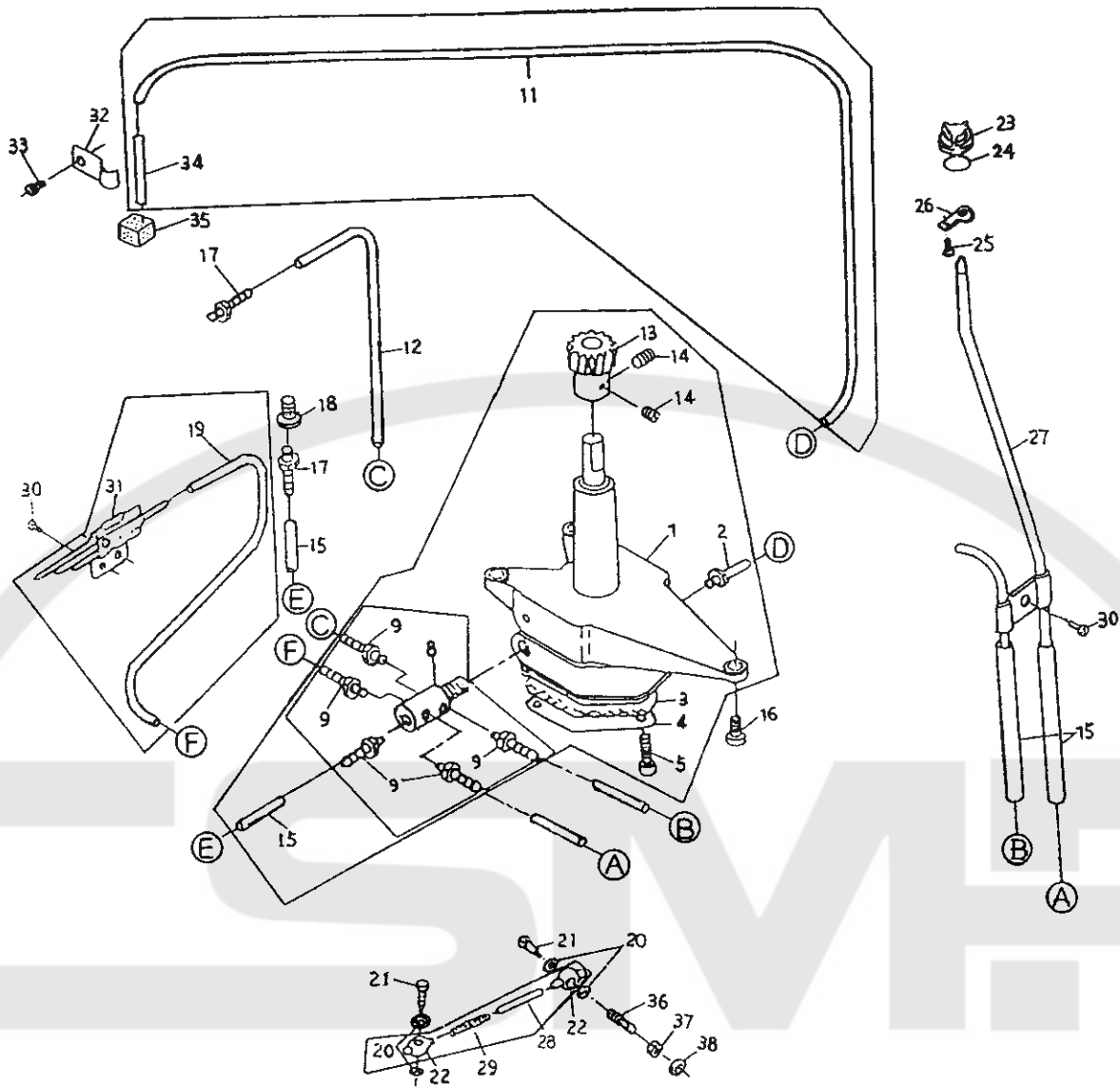


3. Bushings



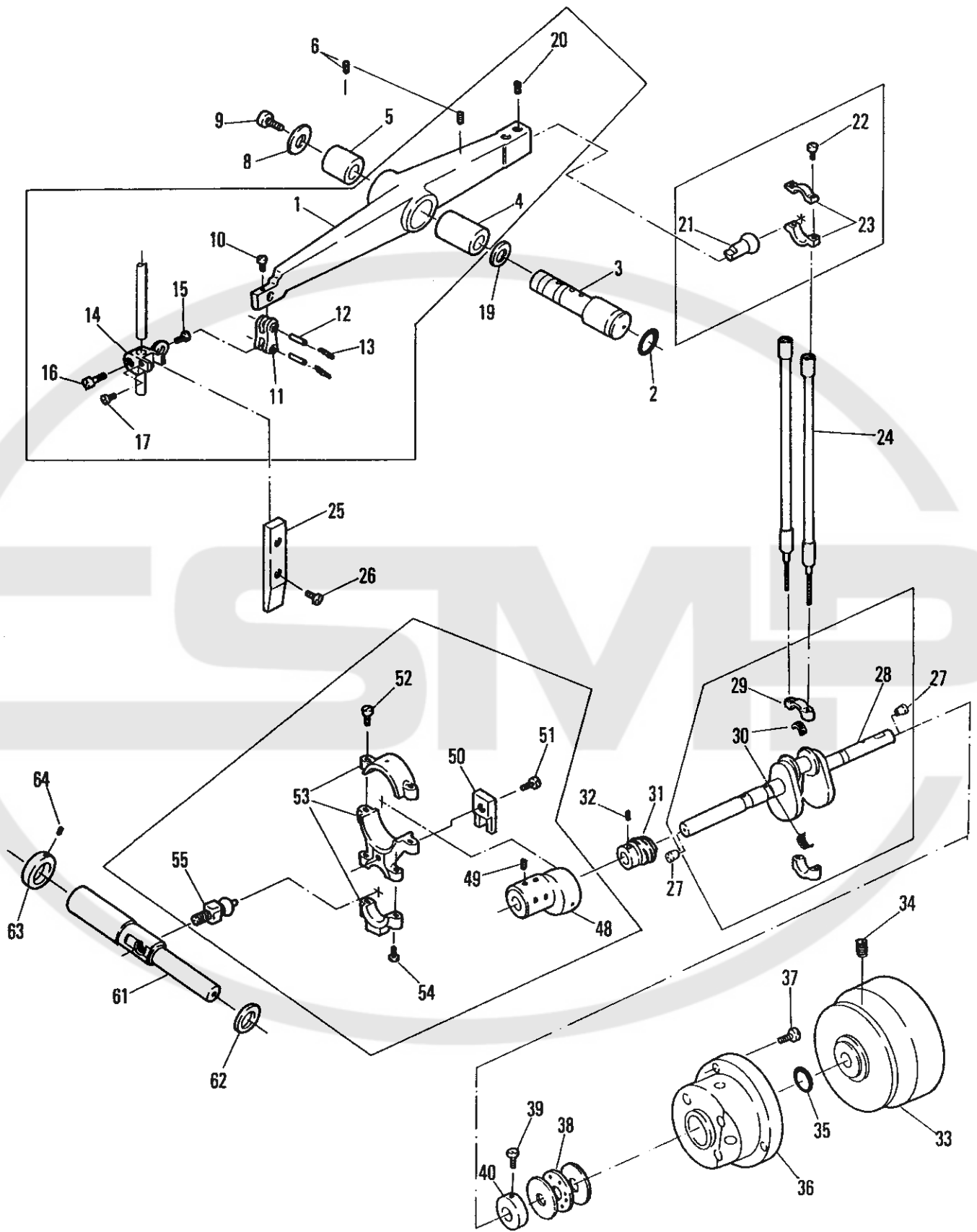
Ref. No.	Part No.	Part Name	Q'ty	Ref. No.	Part No.	Part Name	Q'ty
1	B60301	Main shaft bushing	1	19	B60320	Needle bar bushing (upper)	1
2	B60302	Main shaft bushing	1	20	B60321	Needle bar bushing (lower)	1
3	B60303	Main shaft bushing	1	21	B60322	Presser bar bushing	1
4	B60304	Flange bushing	1	22			
5	W80535	Oil seal	1	23			
6	B60435	Felt	1	24			
7	B60307	Looper racket shaft bushing	1	25	B60315	Screw	1
8	B60308	Looper rocker shaft bushing	1	26	B60326	O-ring	1
9				27	B60327	Puller drive lever bushing	1
10				28	B60328	Puller drive lever bushing	1
11	B60311	Oil plug	1	29	B60329	Puller drive lever bushing	1
12	B60312	Looper drive lever shaft bushing	1	30	B60330	Puller shaft bushing	1
13	B60313	Looper drive lever shaft bushing	1	31	B60331	Presser foot lifter lever bushing	1
14	B60314	O-ring	1	32	B60435	Felt	1
15	B60315	Screw	1				
16	B60316	Feed rocker shaft bushing	1				
17	B60317	Feed rocker shaft bushing	1				
18							

4. Oil lubrication apparatus



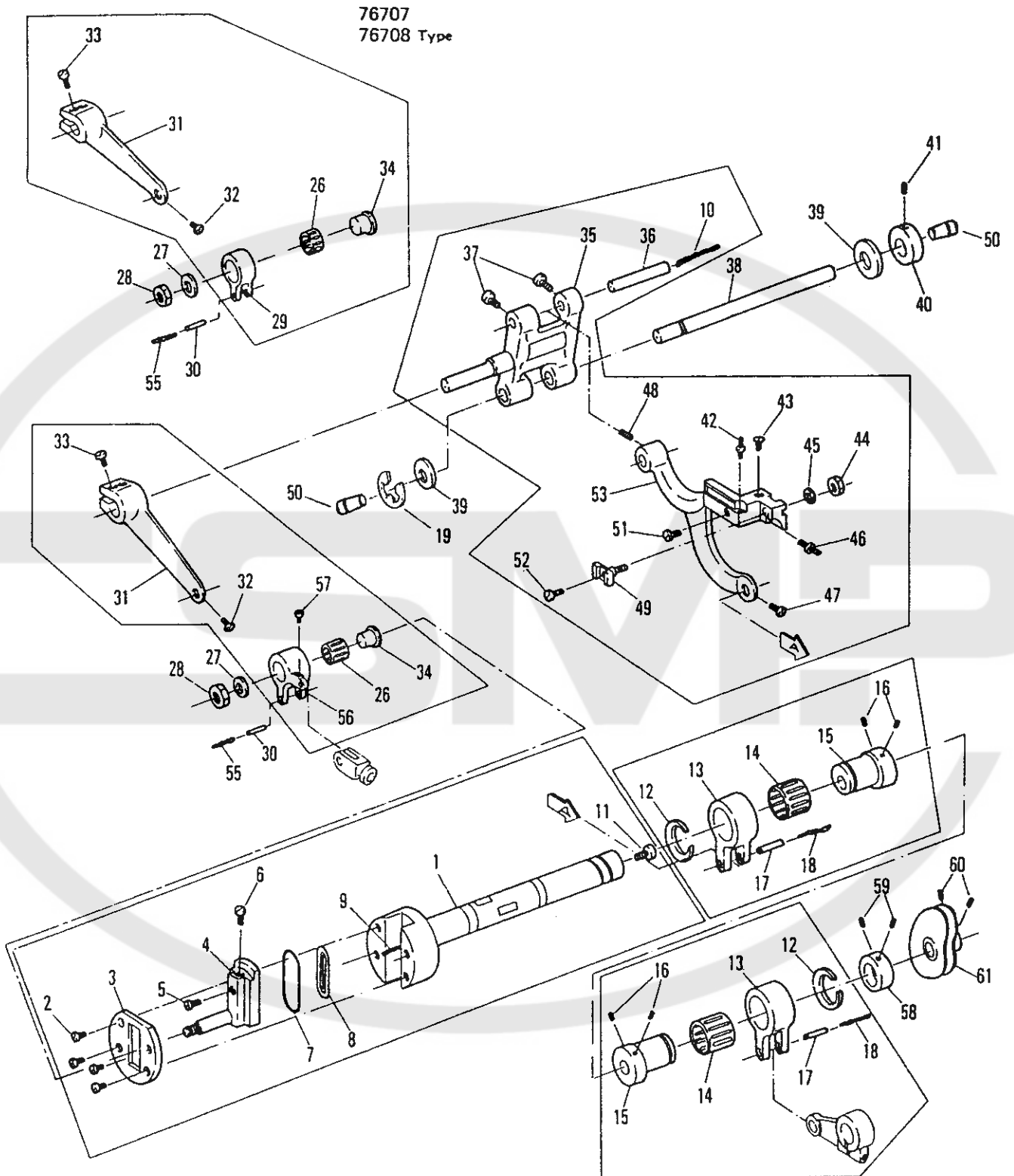
Ref. No.	Part No.	Part Name	Q'ty	Ref. No.	Part No.	Part Name	Q'ty
1	B60401	Oil pump body.....	1	20	B60420	Packing.....	4
2	B60402	Pipe joint.....	1	21	B60421	Oil guide screw.....	2
3	B60403	Pump mesh.....	1	22	B60422	Tube coupling.....	2
4	B60404	Mesh clamp plate.....	1	23	B60423	Oil pot lid.....	1
5	B60405	Screw.....	3	24	B60424	O-ring.....	1
6				25	B60239	Screw.....	1
7				26	B60426	Pipe support.....	1
8	B60408	Oil tube joint.....	1	27	B60427	Pipe.....	1
9	B60409	Pipe joint.....	5	28	B60428	Vinyl pipe.....	1
10				29	B60446	Felt.....	1
11	B60411	Vinyl pipe.....	1	30	B60231	Screw.....	3
12	B60412	Vinyl pipe.....	1	31	B60431	Pipe.....	1
13	B60413	Gear.....	1	32	B60432	Support.....	1
14	B60149	Screw.....	2	33	B60433	Screw.....	1
15	B60415	Vinyl pipe.....	1	34	B60434	Pipe.....	1
16	B60123	Screw.....	3	35	B60435	Felt.....	1
17	B60409	Pipe joint.....	2	36	B60436	Oil flow screw.....	1
18	B60418	Fixing screw.....	1	37	B60437	Nut.....	1
19	B60419	Vinyl pipe.....	1	38	B60438	Packing.....	1

5. Needle lever crank

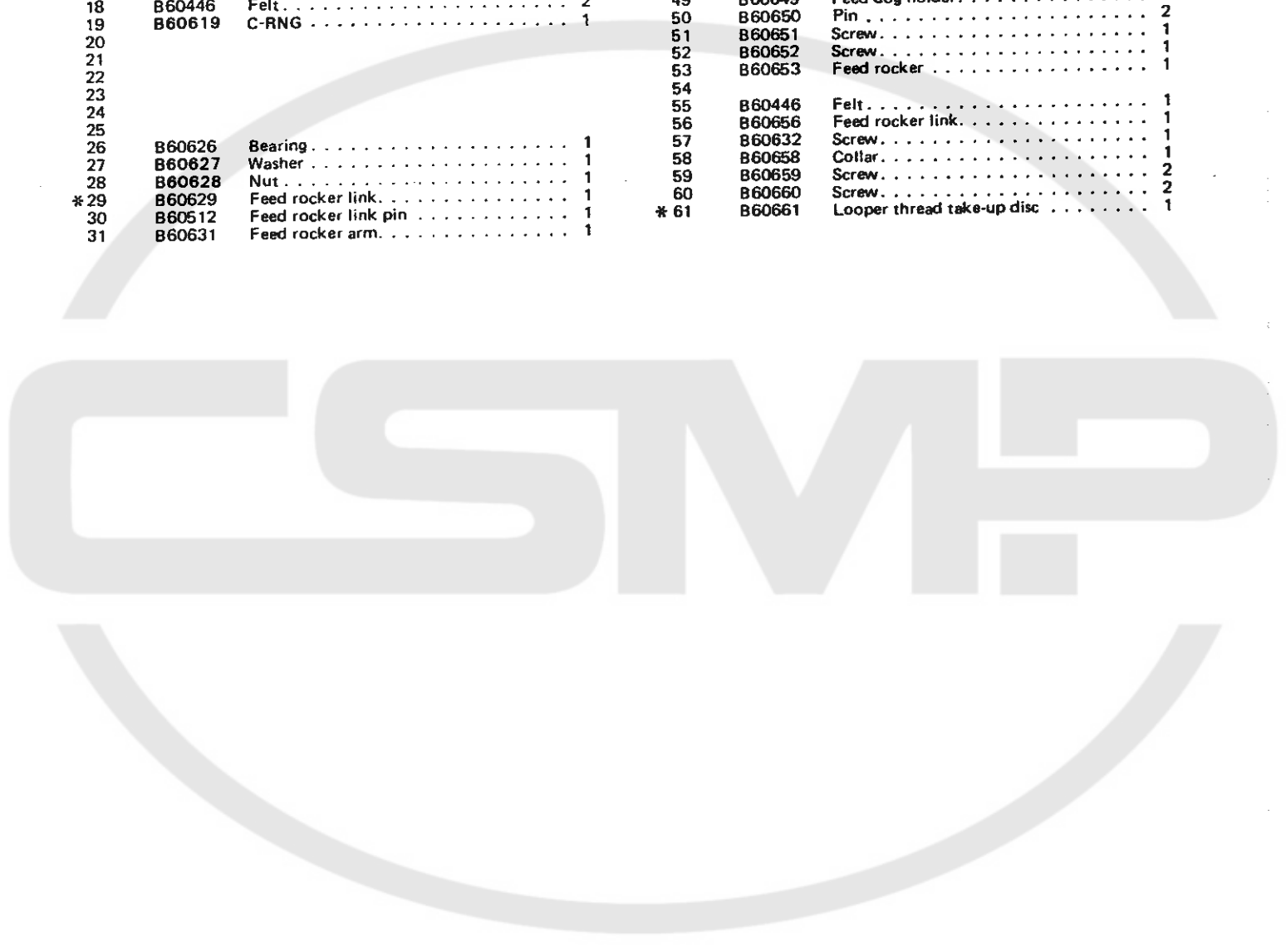


Ref. No.	Part No.	Part Name	Q'ty	Ref. No.	Part No.	Part Name	Q'ty
1	B60501	Needle lever	1	33	B60533	Pulley	1
2	B60305	O-ring	1	34	B60534	Screw	2
3	B60503	Needle lever stud	1	35	B60305	O-ring	1
4	B60504	Needle lever bushing	1	36	B60536	Flange	1
5	B60505	Needle lever stud bushing	1	37	B60123	Screw	3
6	B60506	Screw	2	38	B60538	Bearing	1
7				39	B60539	Screw	2
8	B60420	Gasket	1	40	B60540	Crank shaft collar	1
9	B60509	Screw	1	41			
10	B60510	Screw	1	42			
11	B60511	Needle bar connection link	1	43			
12	B60512	Needle bar connection link pin	2	44			
13	B60446	Felt	2	45			
14	B60514	Needle bar connection	1	46			
15	B60515	Screw	1	47			
16	B60516	Screw	1	48	B60548	Looper driving eccentric	1
17	B60231	Screw	1	49	B60549	Screw	6
18				50	B60550	Eccentric guide fork	1
19	B60519	Washer	1	51	B60551	Screw	1
20	B60520	Screw	2	52	B60552	Screw	2
21	B60521	Needle lever connecting rod	1	53	B60553	Looper driving lever ball joint	1
22	B60522	Screw	2	54	B60554	Screw	2
23	B60523	Ball joint for connecting rod	1	55	B60555	Looper driving connecting rod	1
24	B60524	Connecting bar	2	56			
25	B60525	Needle bar guide plate	1	57			
26	B60107	Screw	2	58			
27	B60527	Pin	2	59			
28	B60528	Crank shaft	1	60			
29	B60529	Ball-joint for crank shaft	1	61	B60561	Looper driving shaft	1
30	B60530	Needle roller for crank shaft	28	62	B60519	Washer	1
31	B60531	Worm gear	1	63	B60563	Collar	1
32	B60532	Screw	2	64	B60564	Screw	2

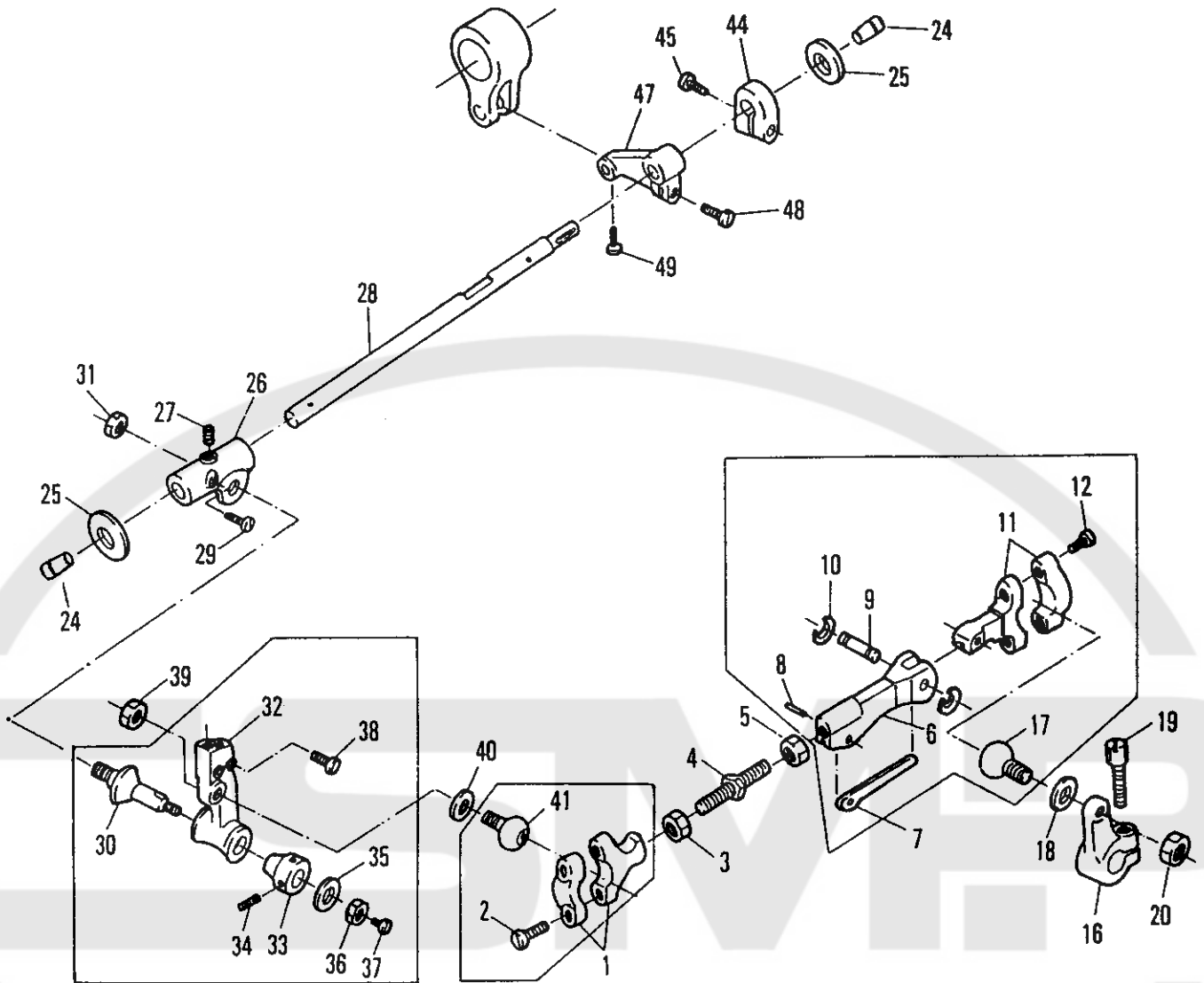
6. Feed rocker



Ref. No.	Part No.	Part Name	Q'ty	Ref. No.	Part No.	Part Name	Q'ty
1	B60601	Main shaft	1	32	B60632	Screw	1
2	B60138	Screw	4	33	B60516	Screw	2
3	B60603	Head plate	1	34	B60634	Feed crank link roller	1
4	B60604	Feed crank adjusting post	1	35	B60635	Single feed rocker arm	1
5	B60605	Screw	1	36	B60636	Feed rocker arm shaft	1
6	B60606	Screw	1	37	B60106	Screw	2
7	B60607	O-ring	1	38	B60638	Feed rocker shaft small	1
8	B60608	Oil guide	1	39	B60639	Washer	1
9	B60446	Felt	1	40	B60640	Collar	1
10	B60446	Felt	1	41	B60160	Screw	1
11	B60611	Screw	1	42	B60642	Screw	1
12	B60612	Snap ring	2	43	B60229	Screw	1
13	B60613	eccentric link	2	44	B60644	Nut	1
14	B60614	Bearing	2	45	B60645	Washer	1
15	B60615	Eccentric 0.9	2	46	B60646	Screw	1
16	B60564	Screw	4	47	B60632	Screw	1
17	B60617	Connecting link pin	2	48	B60532	Screw	1
18	B60446	Felt	2	49	B60649	Feed dog holder	1
19	B60619	C-RNG	1	50	B60650	Pin	2
20				51	B60651	Screw	1
21				52	B60652	Screw	1
22				53	B60653	Feed rocker	1
23				54			
24				55	B60446	Felt	1
25				56	B60656	Feed rocker link	1
26	B60626	Bearing	1	57	B60632	Screw	1
27	B60627	Washer	1	58	B60658	Collar	1
28	B60628	Nut	1	59	B60659	Screw	2
* 29	B60629	Feed rocker link	1	60	B60660	Screw	2
30	B60512	Feed rocker link pin	1	* 61	B60661	Looper thread take-up disc	1
31	B60631	Feed rocker arm	1				



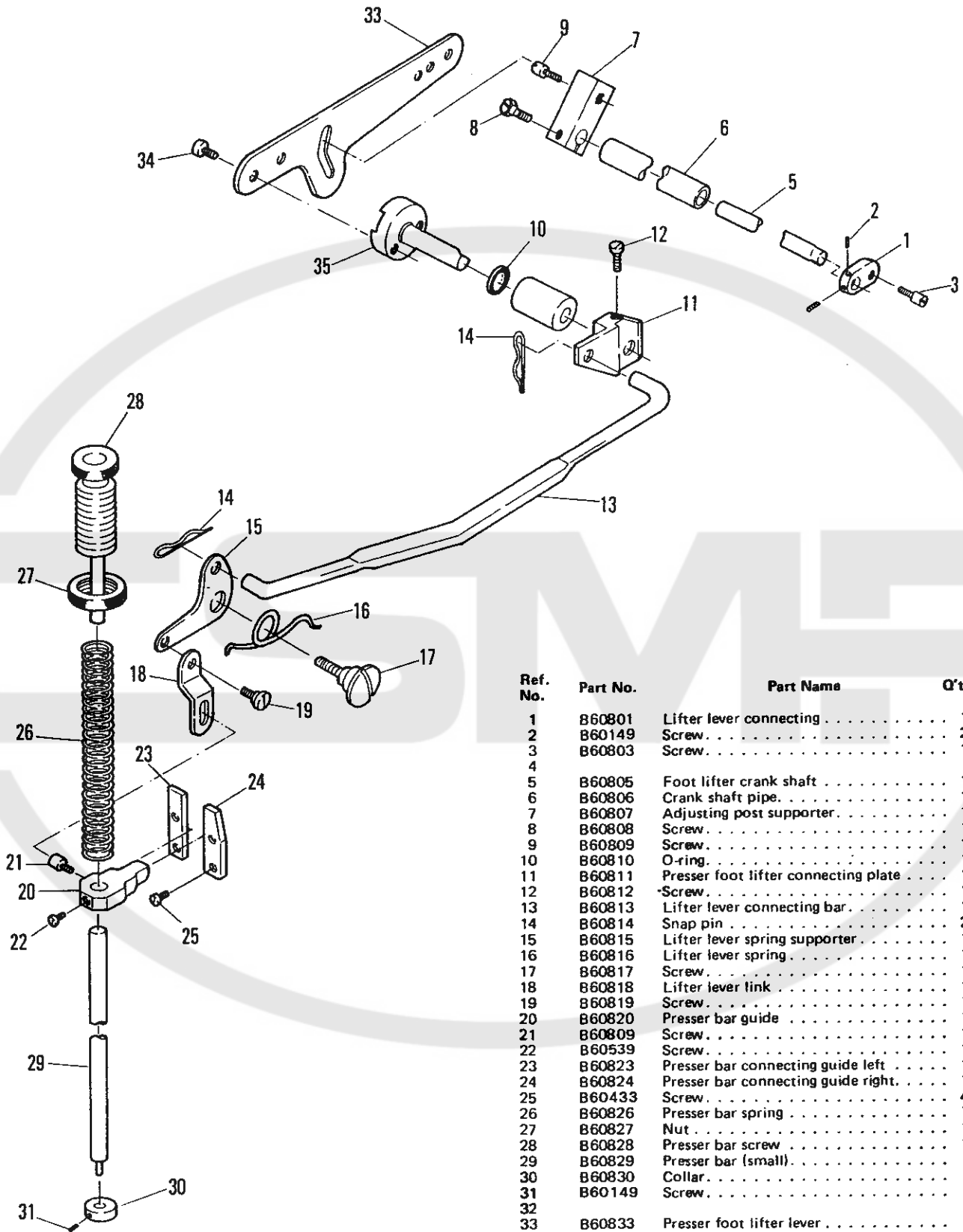
7. Looper



76702

Ref. No.	Part No.	Part Name	Q'ty	Ref. No.	Part No.	Part Name	Q'ty
1	B60701	Looper rocker connecting ball joint (left)	1	25	B60639	Washer	2
2	B60702	Screw	2	26	B60726	Looper rocker	1
3	B60628	Nut	1	27	B60532	Screw	1
4	B60704	Connecting bar	1	28	B60728	Looper holder shaft	1
5	B60213	Nut	1	29	B60729	Screw	1
6	B60706	Looper driving connecting link	1	30	B60730	Looper rocker tapered pin	1
7	B60707	Plate spring	1	31	B60644	Nut	1
8	B60708	Pin	1	32	B60732	Looper holder	1
9	B60709	Shaft	1	33	B60733	Tapered pin bushing	2
10	B60710	Snap ring	2	34	B60149	Screw	1
11	B60711	Looper driving connecting ball joint	1	35	B60735	Washer	1
12	B60702	Screw	2	36	B60644	Nut	1
13				37	B60132	Screw	1
14				38	B60738	Screw	2
15				39	B60213	Nut	1
16	B60716	Looper driving lever	1	40	B60718	Washer	1
17	B60717	Looper driving connecting rod	1	41	B60717	Looper driving connecting rod	1
18	B60718	Washer	1	42			
19	B60719	Screw	1	43			
20	B60213	Nut	1	44	B60744	Looper holder shaft collar	1
21				45	B60123	Screw	1
22				46			
23				47	B60747	Looper avoid lever	1
24	B60650	Pin	2	48	B60516	Screw	1
				49	B60510	Screw	1

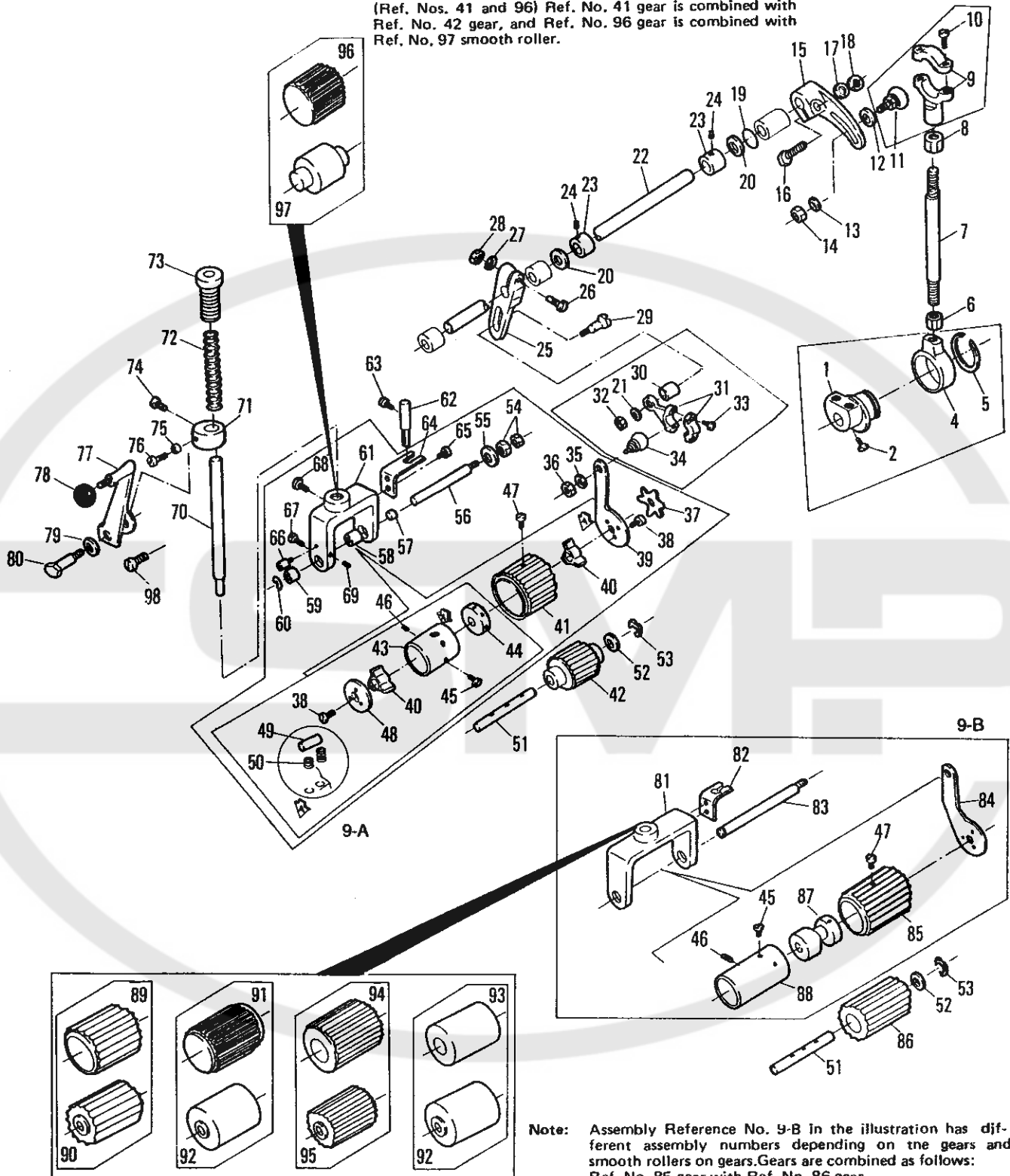
8. Foot lifter components



Ref. No.	Part No.	Part Name	Q'ty
1	B60801	Lifter lever connecting	1
2	B60149	Screw	2
3	B60803	Screw	1
4			
5	B60805	Foot lifter crank shaft	1
6	B60806	Crank shaft pipe	1
7	B60807	Adjusting post supporter	1
8	B60808	Screw	1
9	B60809	Screw	1
10	B60810	O-ring	1
11	B60811	Presser foot lifter connecting plate	1
12	B60812	Screw	1
13	B60813	Lifter lever connecting bar	1
14	B60814	Snap pin	2
15	B60815	Lifter lever spring supporter	1
16	B60816	Lifter lever spring	1
17	B60817	Screw	1
18	B60818	Lifter lever link	1
19	B60819	Screw	1
20	B60820	Presser bar guide	1
21	B60809	Screw	1
22	B60539	Screw	1
23	B60823	Presser bar connecting guide left	1
24	B60824	Presser bar connecting guide right	1
25	B60433	Screw	4
26	B60826	Presser bar spring	1
27	B60827	Nut	1
28	B60828	Presser bar screw	1
29	B60829	Presser bar (small)	1
30	B60830	Collar	1
31	B60149	Screw	1
32			
33	B60833	Presser foot lifter lever	1
34	B60123	Screw	2
35	B60835	Presser foot lifter lever post	1

9. Puller

Note: Assembly Reference No. 9-A in the illustration has different assembly numbers depending on the gear used (Ref. Nos. 41 and 96) Ref. No. 41 gear is combined with Ref. No. 42 gear, and Ref. No. 96 gear is combined with Ref. No. 97 smooth roller.

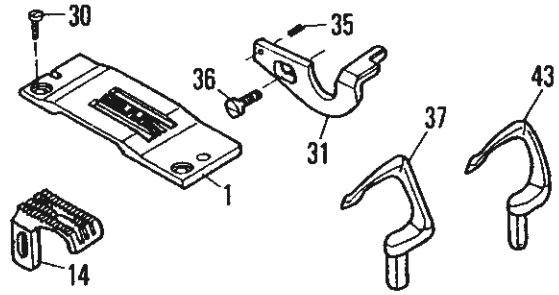
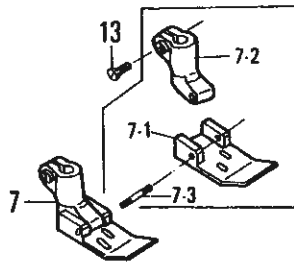
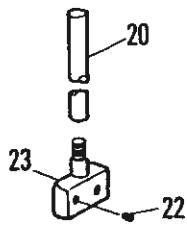


Note: Assembly Reference No. 9-B in the illustration has different assembly numbers depending on the gears and smooth rollers on gears. Gears are combined as follows:
 Ref. No. 85 gear with Ref. No. 86 gear
 Ref. No. 89 gear with Ref. No. 90 gear
 Ref. No. 94 gear with Ref. No. 95 gear
 Ref. No. 91 gear and Ref. No. 93 smooth roller with Ref. No. 92 smooth roller
 Components shown in 9-B are interchangeable with those shown in 9-A.

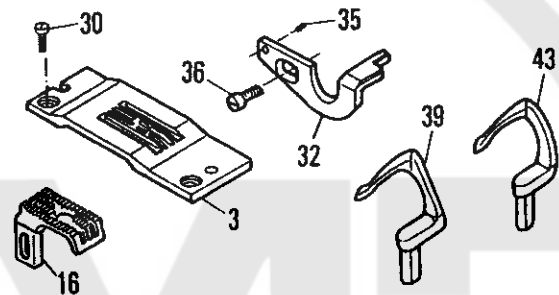
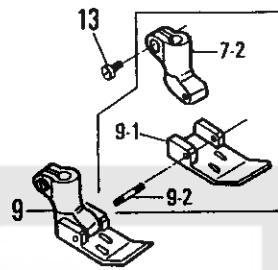
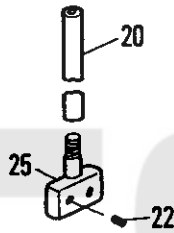
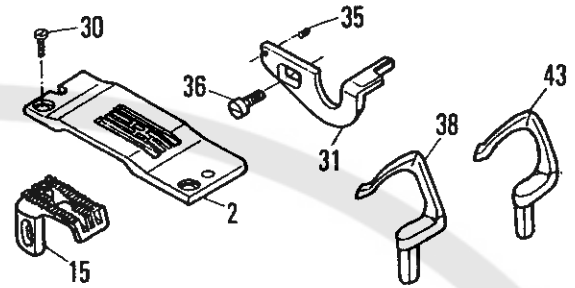
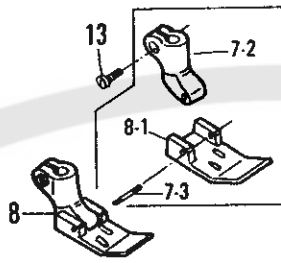
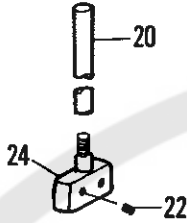
Ref. No.	Part No.	Part Name	Q'ty	Ref. No.	Part No.	Part Name	Q'ty
1	B60901	Puller driving eccentric	1	50	B60950	Check clutch spring	12
2	B60902	Screw	2	51	B60951	Rear puller shaft	1
3				52	B60639	Washer	1
4	B60904	Connecting link	1	53	B60953	Spring washer	1
5	B60905	25φ snap ring	1	54	B60954	Nut	2
6	B60906	Nut	1	55	B60955	Washer	1
7	B60907	Puller driving connection.	1	* 56	B60956	Rear puller shall	1
8	B60908	Nut, left	1	57	B60957	Puller holder shaft bushing S	1
9	B60909	Puller driving connecting rod	1	58	B60958	Puller holder shaft bushing M	1
10	B60910	Screw	2	59	B60959	Puller holder shaft bushing L	1
11	B60911	Connecting ball joint	1	60	B60960	φ8 snap ring	1
12	B60912	Washer	1	* 61	B60961	Rear puller holder (small)	1
13	B60913	Washer	1	62	B60962	Puller liner	1
14	B60644	Nut	1	63	B60225	Screw	1
15	B60915	Puller driving lever, rear	1	* 64	B60964	Rear puller stopper	1
16	B60916	Screw	1	65	B60965	Screw	2
17	B60645	Washer	1	66	B60966	Screw	1
18	B60918	Nut	1	67	B60551	Screw	1
19	B60305	O-ring	1	68	B60968	Screw	1
20	B60519	Washer	2	69	B60969	Screw	1
21	B60217	Washer	1	70	B60970	Feed roller shaft	1
22	B60922	Puller driving shaft	1	71	B60971	Feed roller shaft holder	1
23	B60923	Crank shaft collar	2	72	B60972	Puller spring	1
24	B60532	Screw	4	73	B60973	Puller screw	1
25	B60925	Puller driving lever, front.	1	74	B60974	Screw	1
26	B60916	Screw	1	75	B60975	Lifter lever roller	1
27	B60645	Washer	1	76	B60976	Screw	1
28	B60918	Nut	1	* 77	B60977	Lifter lever	1
29	B60929	Screw	1	78	B60978	Lifter lever knob	1
30	B60930	Connecting link roller	1	79	B60979	Lifter spring	1
31	B60931	Puller connecting rod	1	80	B60980	Screw	1
32	B60932	Nut	1	81	B60981	Rear puller holder (large)	1
33	B60554	Screw	2	82	B60982	Rear puller stopper	1
34	B60934	Connecting ball joint	1	83	B60983	Rear puller shaft	1
35	B60645	Washer	1	84	B60984	Rear puller connecting plate	1
36	B60213	Nut	1	85	B81041	Rear puller gear 22 teeth (Nylon)	1
37	B60937	Puller plate spring	1	86	B81042	Rear puller gear 18 teeth (Nylon)	1
38	B60162	Screw	6	87	B60987	Rear puller thrust collar	1
* 39	B60939	Rear puller connecting plate	1	88	B60988	Rear puller pipe	1
40	B60940	Clutch	2	* 89	B60989	Rear puller gear 22 28 teeth (Steel)	1
* 41	B60941	Rear puller gear 18 teeth (Nylon)	1	* 90	B60990	Rear puller gear 18 23 teeth (Steel)	1
* 42	B60942	Rear puller gear 15 teeth (Nylon)	1	91	B60991	Rear puller gear 60 teeth (Steel)	1
* 43	B60943	Rear puller pipe	1	92	B60992	Rear puller (Smooth)	1
* 44	B60944	Rear puller thrust collar	1	93	B60993	Rear puller (Smooth)	1
45	B60229	Screw	3	94	B81081	Rear puller gear 28 teeth (Nylon)	1
46	B60946	Screw	1	95	B81082	Rear puller gear 23 teeth (Nylon)	1
47	B60229	Screw	3	* 96	B60996	Rear puller gear 60 teeth (Steel)	1
48	B60948	Rear puller pipe cover	1	* 97	B60997	Rear puller (Smooth)	1
49	B60949	Check clutch roller	6	98	B60998	Screw	1

10. Gauge parts (1)

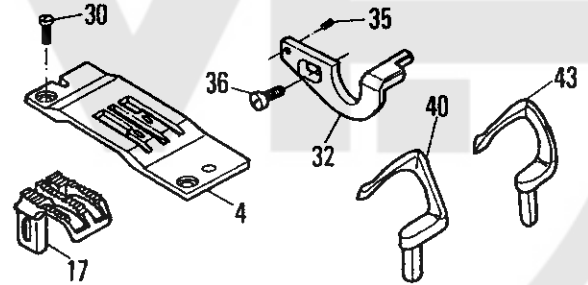
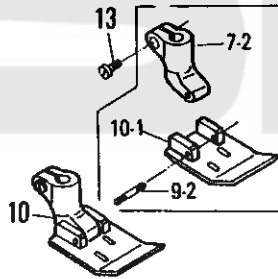
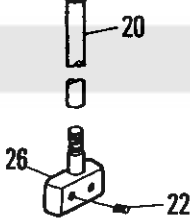
1/8"



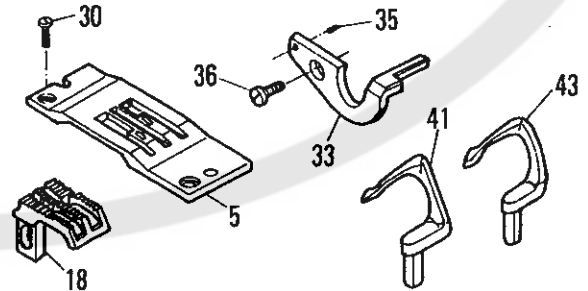
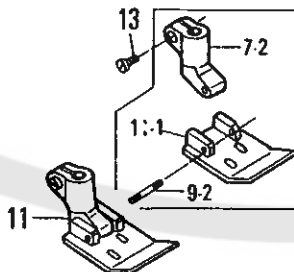
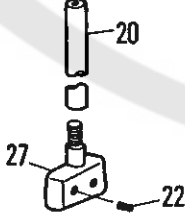
3/16"



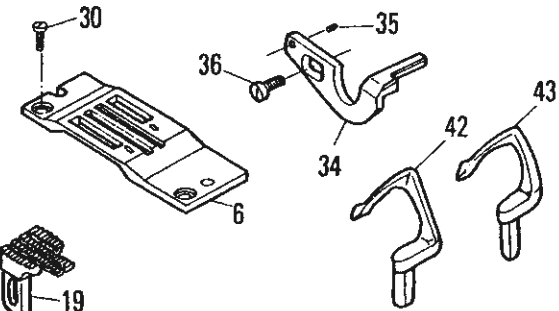
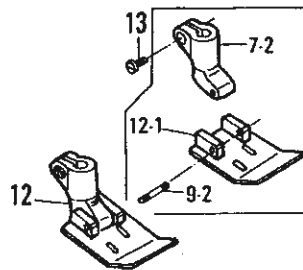
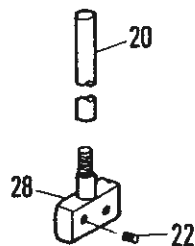
5/16"



3/8"



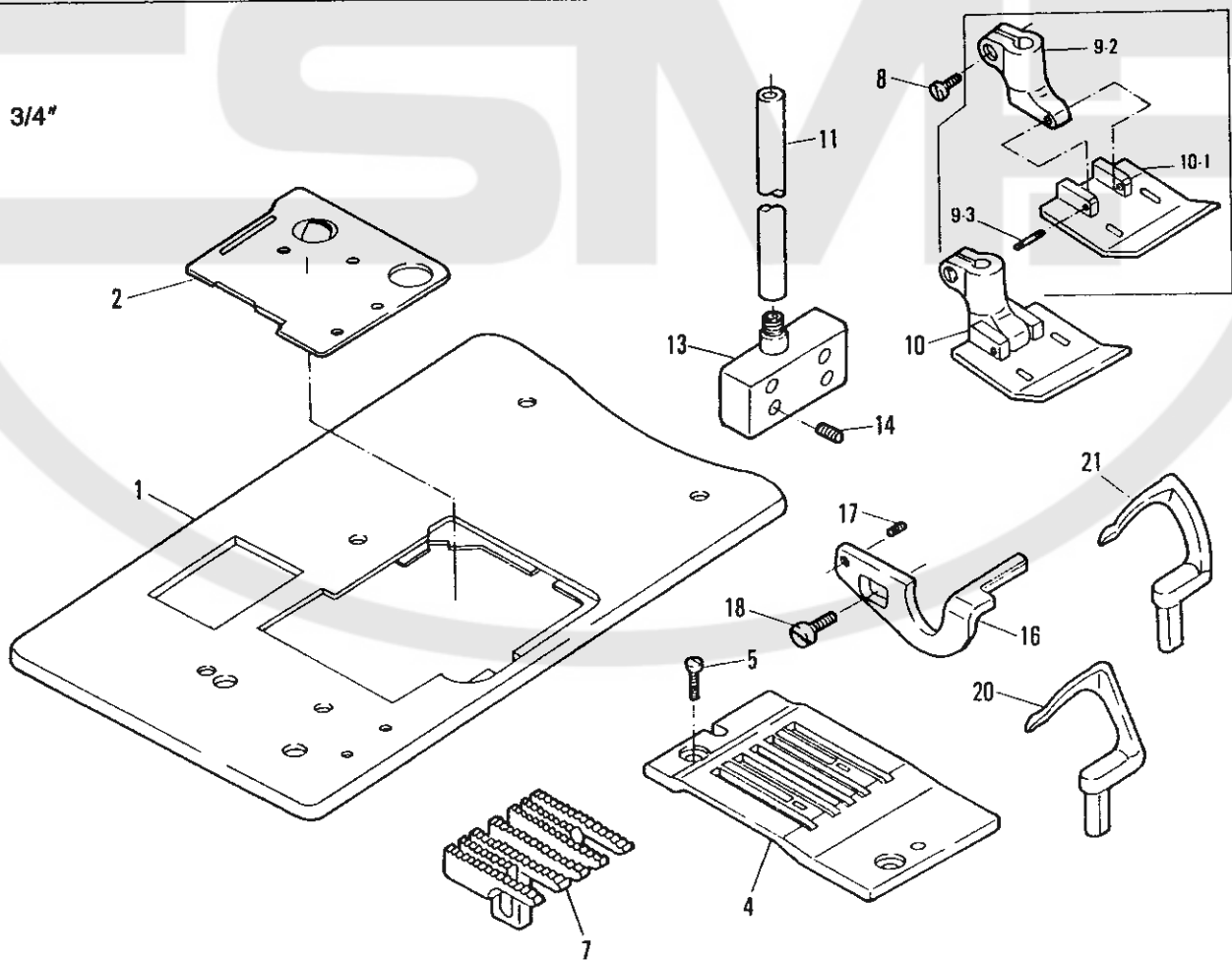
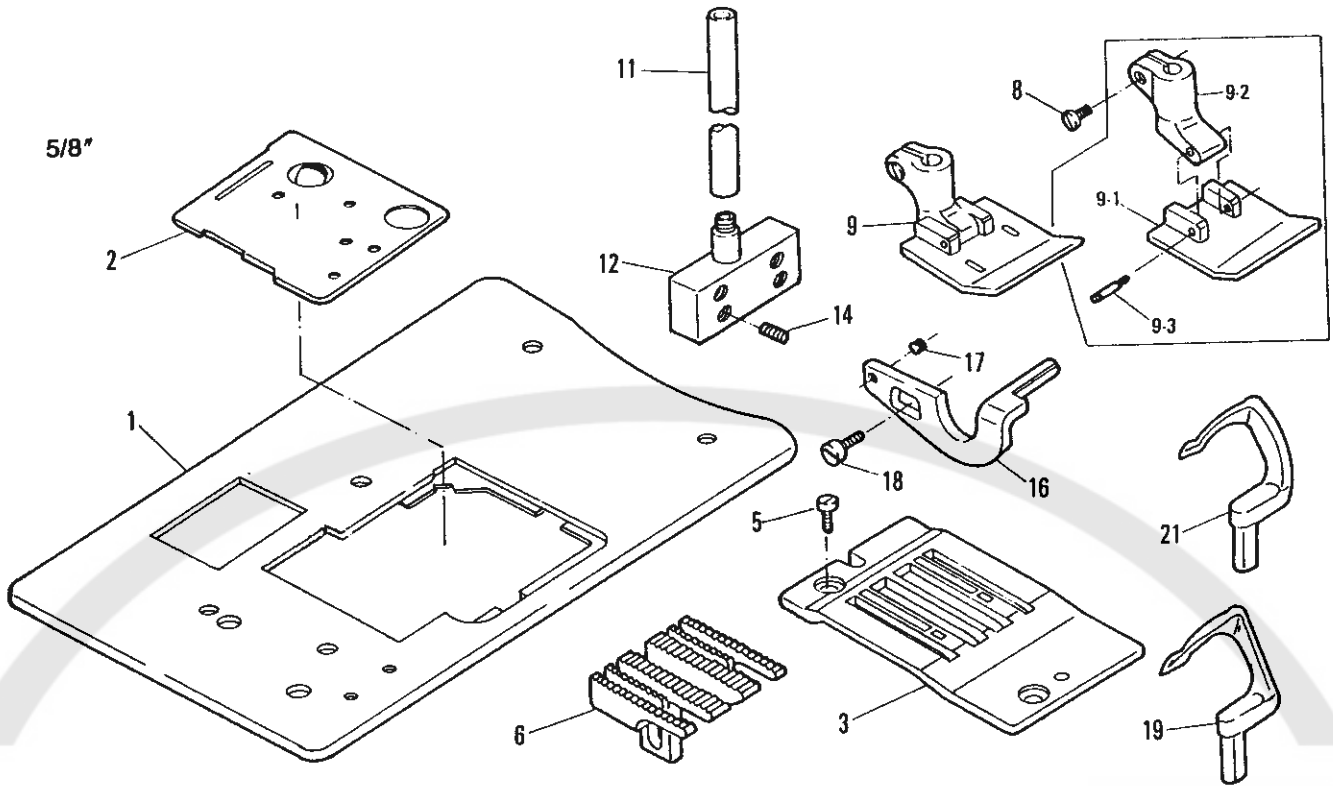
1/2"



Ref. No.	Part No.	Part Name	Q'ty	Ref. No.	Part No.	Part Name	Q'ty
1	B61001	Needle Plate (1/8")	1	14	B61014	Feed dog (1/8")	1
2	B61002	Needle Plate (3/16")	1	15	B61015	Feed dog (3/16")	1
3	B61003	Needle Plate (1/4")	1	16	B61016	Feed dog (1/4")	1
4	B61004	Needle Plate (5/16")	1	17	B61017	Feed dog (5/16")	1
5	B61005	Needle Plate (3/8")	1	18	B61018	Feed dog (3/8")	1
6	B61006	Needle Plate (1/2")	1	19	B61019	Feed dog (1/2")	1
7	B61007	Presser foot (1/8")	1	20	B61020	Needle bar	1
7-1	B61007-1	Presser foot, bottom	1	21			
7-2	B61007-2	Presser foot, shank	1	22	B61022	Screw	2
7-3	B61007-3	Hinge screw	1	23	B61023	Needle holder (1/8")	1
8	B61008	Presser foot (3/16")	1	24	B61024	Needle holder (3/16")	1
8-1	B61008-1	Presser foot, bottom	1	25	B61025	Needle holder (1/4")	1
8-2				26	B61026	Needle holder (5/16")	1
8-3				27	B61027	Needle holder (3/8")	1
9	B61009	Presser foot (1/4")	1	28	B61028	Needle holder (1/2")	1
9-1	B61009-1	Presser foot, bottom	1	29			
9-2	B61009-2	Hinge screw	1	30	B61030	Screw	2
9-3				31	B61031	Needle guard (1/8", 3/16")	1
10	B61010	Presser foot (5/16")	1	32	B61032	Needle guard (1/4", 5/16")	1
10-1	B61010-1	Presser foot, bottom	1	33	B61033	Needle guard (3/8")	1
10-2				34	B61034	Needle guard (1/2")	1
10-3				35	B61035	Screw	1
11	B61011	Presser foot (3/8")	1	36	B60651	Screw	1
11-1	B61011	Presser foot bottom	1	37	B61037	Looper, front (1/8")	1
11-2				38	B61038	Looper, front (3/16")	1
11-3				39	B61039	Looper, front (1/4")	1
12	B61012	Presser foot (1/2")	1	40	B61040	Looper, front (5/16")	1
12-1	B61012-1	Presser foot, bottom	1	41	B61041	Looper, front (3/8")	1
12-2				42	B61042	Looper, front (1/2")	1
12-3				43	B61043	Looper, rear (1/8" - 1/2")	1
13	B61013	Screw	1				

CSMP

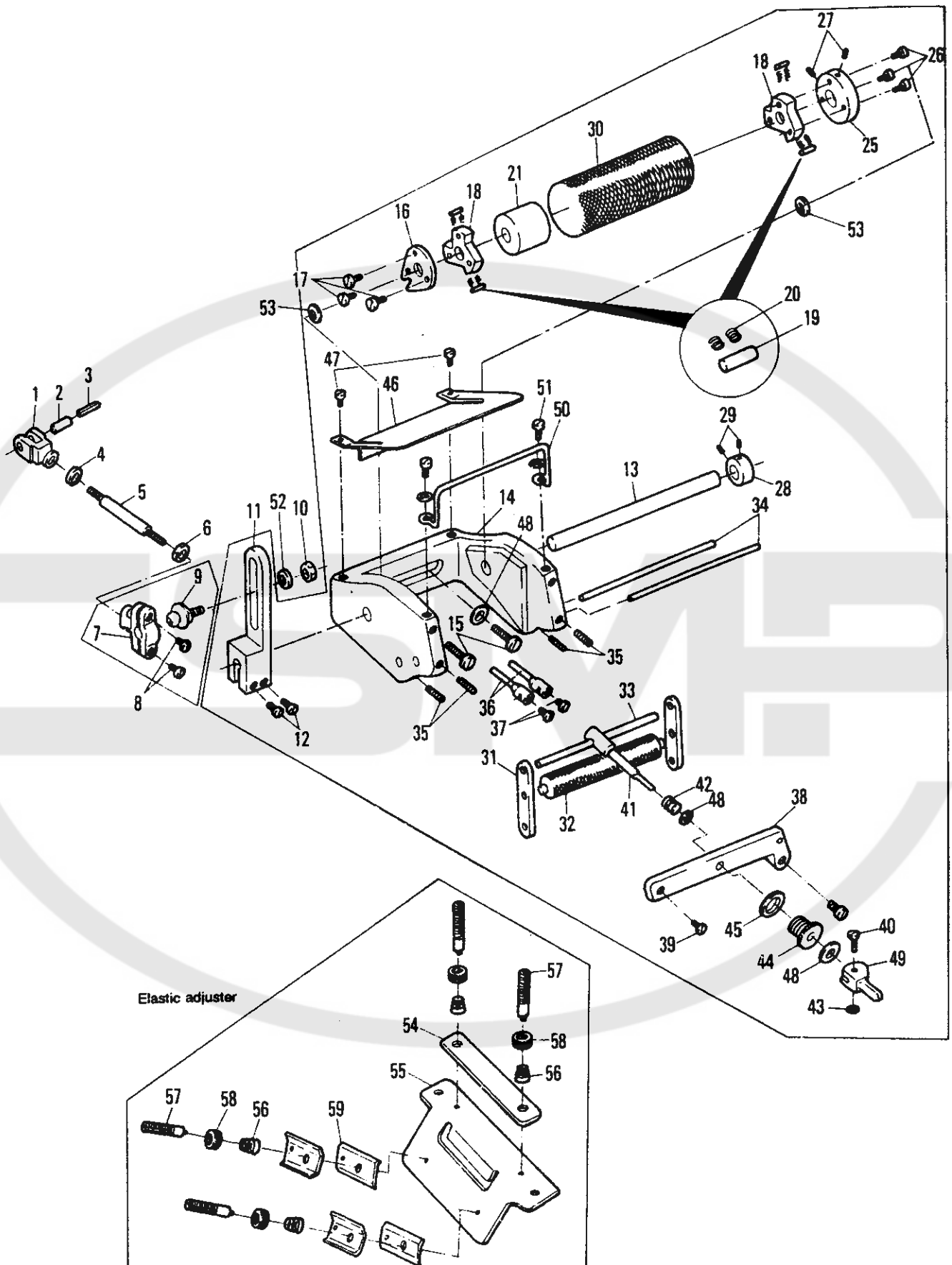
11. Gauge (2)



Ref. No.	Part No.	Part Name	Q'ty	Ref. No.	Part No.	Part Name	Q'ty
1	B61101	Upper cloth plate	1	10-2			
2	B61102	Slide plate	1	10-3			
3	B61103	Needle plate (5/8")	1	11	B61020	Needle bar (5/8", 3/4")	1
4	B61104	Needle plate (3/4")	1	12	B61112	Needle holder (5/8")	1
5	B61030	Screw	2	13	B61113	Needle holder (3/4")	1
6	B61106	Feed dog (5/8")	1	14	B61022	Screw	2
7	B61107	Feed dog (3/4")	1	15			
8	B61013	Screw	1	16	B61116	Needle guard (5/8", 3/4")	1
9	B61109	Presser foot (5/8")	1	17	B61035	Screw	1
9-1	B61109-1	Presser foot, bottom	1	18	B60651	Screw	1
9-2	B61007-2	Presser foot, shank	1	19	B61119	Looper, front (5/8")	1
9-3	B61009-2	Hinge screw	1	20	B61120	Looper, front (3/4")	1
10	B61110	Presser foot (3/4")	1	21	B61121	Looper, rear (5/8", 3/4")	1
10-1	B61110-1	Presser foot, bottom	1				



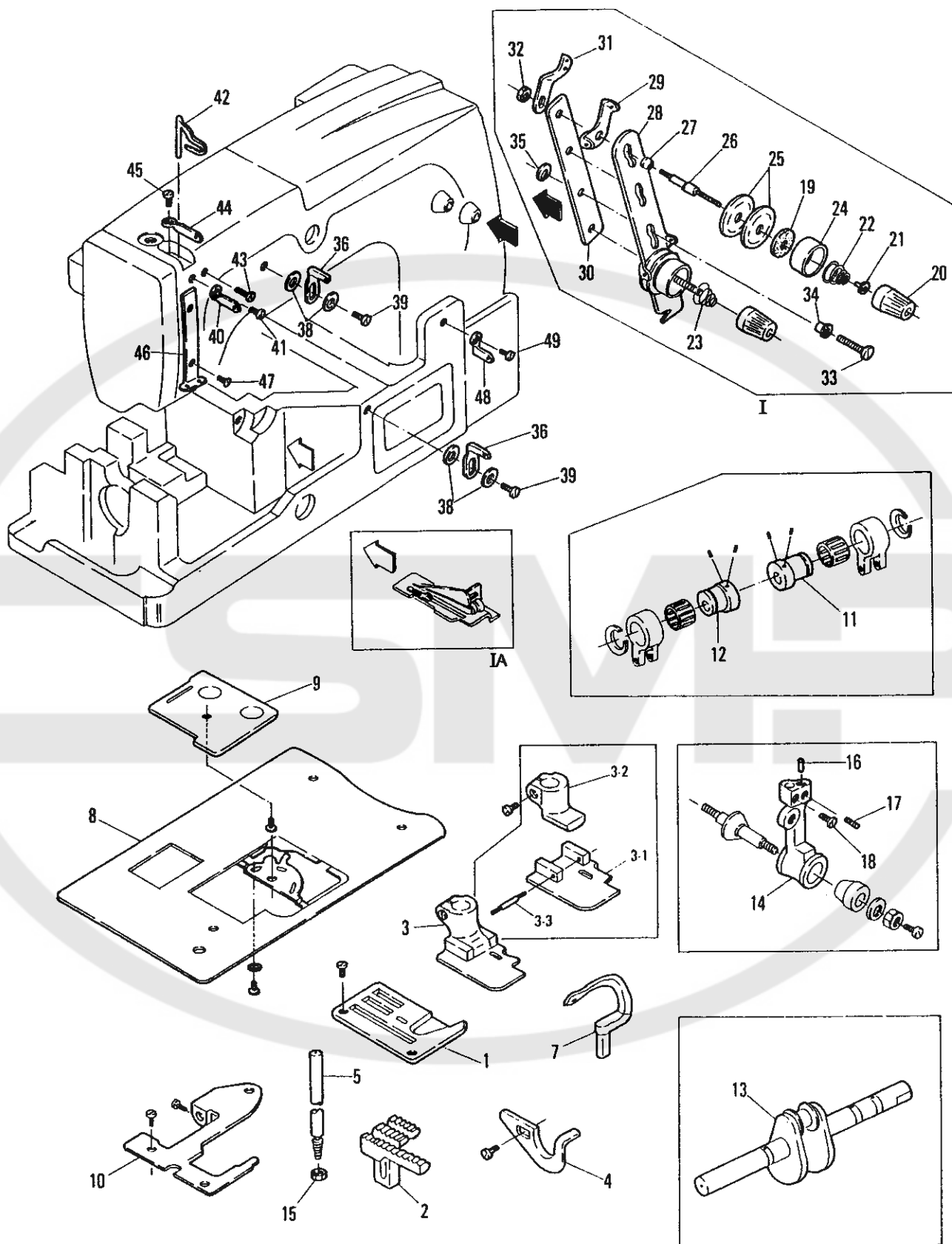
76702 PMD•76704 PMD Subclass models
12. Front puller mechanism



Ref. No.	Part No.	Part Name	Q'ty	Ref. No.	Part No.	Part Name	Q'ty
1	B61201	Connecting link	1	31	B61231	Roller holder	2
2	B60512	Pin	1	32	B61232	Roller.	1
3	B60446	Felt	1	33	B61233	Pivot shaft	1
4	B61204	Nut	1	34	B61234	Pivot shaft	2
5	B61205	Puller connecting bar	1	35	B61235	Screw	4
6	B60628	Nut	1	36	B61236	Pivot shaft holder	2
7	B60701	Connecting ball joint	1	37	B60162	Screw	2
8	B60702	Screw	2	38	B61238	Rubber tightener	1
9	B61209	Connecting rod	1	39	B60123	Screw	2
10	B60644	Nut	1	40	B61240	Pin	1
11	B61211	Puller connecting lever	1	41	B61241	Roller controler	1
12	B61212	Screw	2	42	B61242	Spring	1
13	B61213	Puller rocker shaft	1	43	B61243	E-ring	1
14	B61214	Puller rocker.	1	44	B61244	Screw	1
15	B61215	Screw	2	45	B61245	Nut	1
16	B61216	Puller clutch driving collar	1	46	B61246	Puller cover	1
17	B60162	Screw	3	47	B60132	Screw	2
18	B60940	Puller driving clutch	2	48	B60111	Washer	1
19	B60949	Puller clutch roller	6	49	B61249	Lever	1
20	B60950	Puller driving clutch spring.	12	50	B61250	Guide	1
21	B61221	Puller thrust collar	1	51	B60123	Screw	2
22				52	B60645	Washer	1
23				53		Washer	1
24				54	B61254	Strip tension base	1
25	B61225	Clutch driving collar	1	55	B61255	Strip tension plate	1
26	B60162	Screw	3	56	B61256	Spring	4
27	B61227	Screw	2	57	B61257	Tension post	4
*28	B60830	Shaft collar	1	58	B61258	Nut	4
29	B60659	Screw	2	59	B61259	Strip tension plate (small)	4
30	B61230	Puller pipe	1				

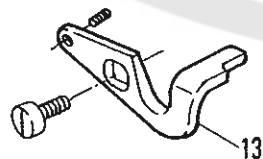
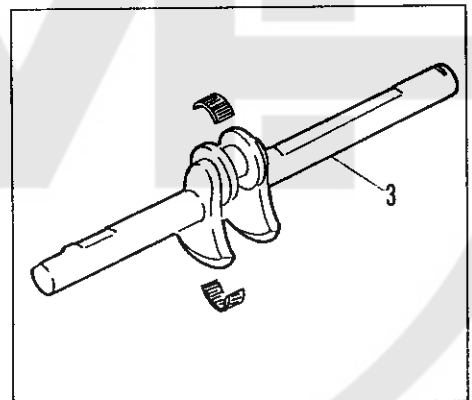
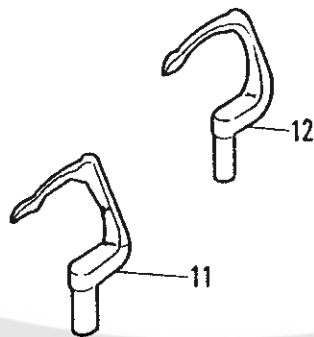
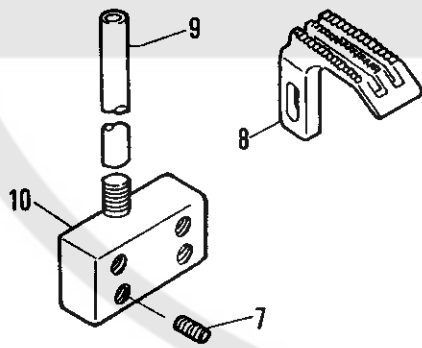
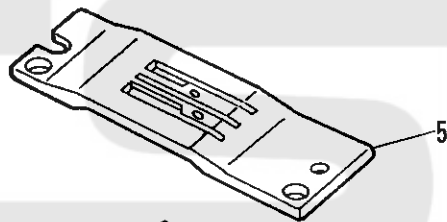
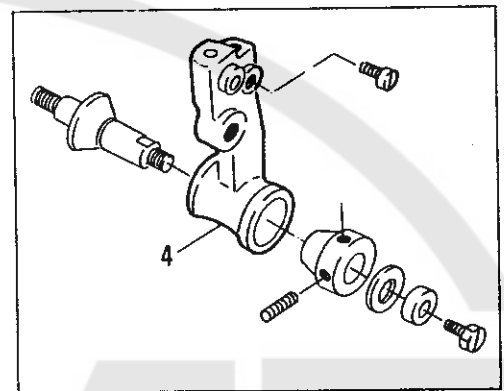
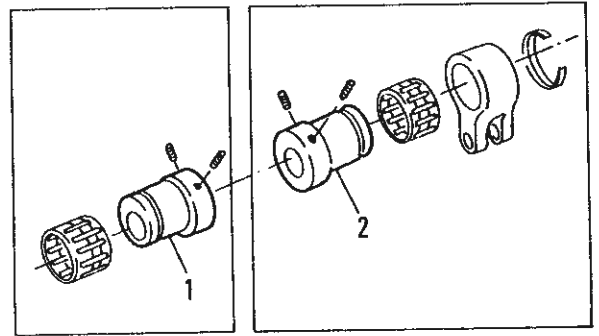
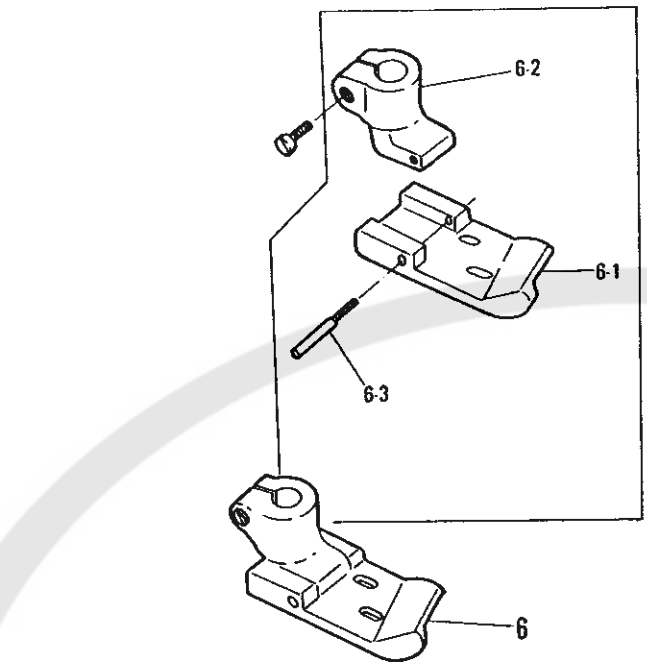


Subclass model
13. 76701 P-HP-C



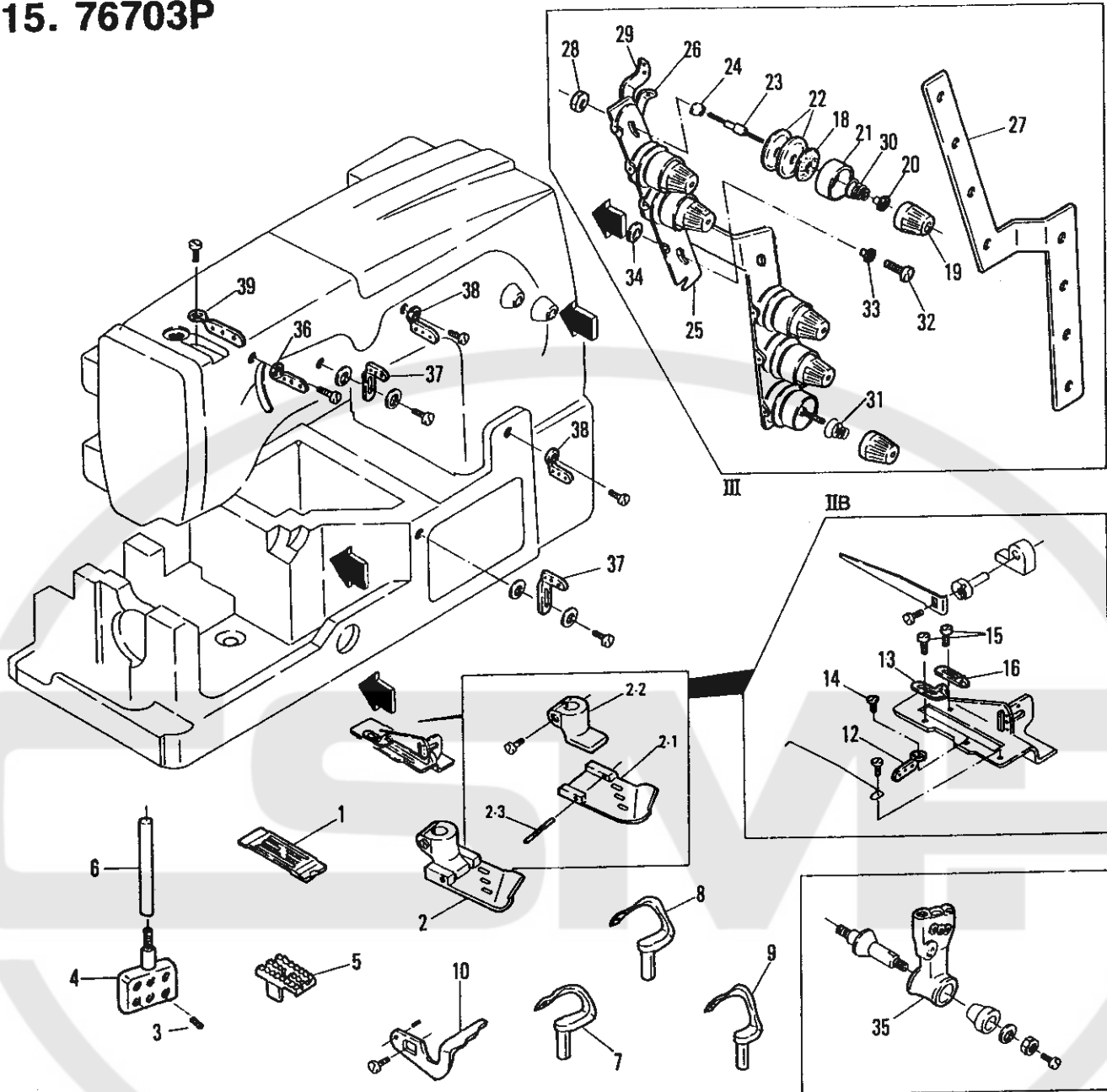
Ref. No.	Part No.	Part Name	Q'ty	Ref. No.	Part No.	Part Name	Q'ty
1	B61301	Needle plate	1	24	B60205	Tension disc cover	2
2	B61302	Feed dog	1	25	B60206	Tension disc	4
3	B61303	Pressure foot	1	26	B60207	Tension post	2
3-1	B61303-1	Presser foot bottom	1	27	B60208	Tension post collar	2
3-2	B61303-2	Presser foot shank	1	28	B60209	Tension post support	1
3-3	B61303-3	Hinge screw	1	29	B60210	Tension post thread eyelet	2
4	B61304	Needle guard	1	30	B60211	Tension post holder	1
5	B61305	Needle bar	1	31	B60212	Lead in thread eyelet	2
6				32	B60213	Nut	1
7	B61307	Looper	1	33	B61333	Screw	1
8	B61308	Upper cloth plate	1	34			
9	B61309	Slide plate	1	35	B60111	Washer	1
10	B62018	Needle plate support	1	36	B60219	Needle thread eyelet 1	2
11	B60615	Feed eccentric (0.9)	1	37			
12	B60615	Feed eccentric (0.9)	1	38	B60105	Washer	4
13	B60528	Crank shaft (H)	1	39	B60123	Screw	2
14	B61314	Looper holder	1	40	B60222	Needle lever thread eyelet 1	1
15	B61315	Nut	1	41	B60132	Screw	1
16	B61316	Pin	1	42	B80236	Needle thread take-up wire	1
17	B60241	Screw	1	43	B80225	Screw	1
18	B60738	Screw	1	44	B60226	Needle bar thread eyelet 1	1
19	B60214	Felt	2	45	B60132	Screw	1
20	B60201	Tension regulating nut	2	46	B60228	Needle thread guide. 3	1
21	B60202	Tension disc ratchet	2	47	B60229	Screw	2
22	B60203	Needle thread tension spring	1	48	B60230	Looper thread eyelet 1	1
23	B60204	Looper thread tension spring	1	49	B60231	Screw	1

Subclass model
14. 76702 P-HD



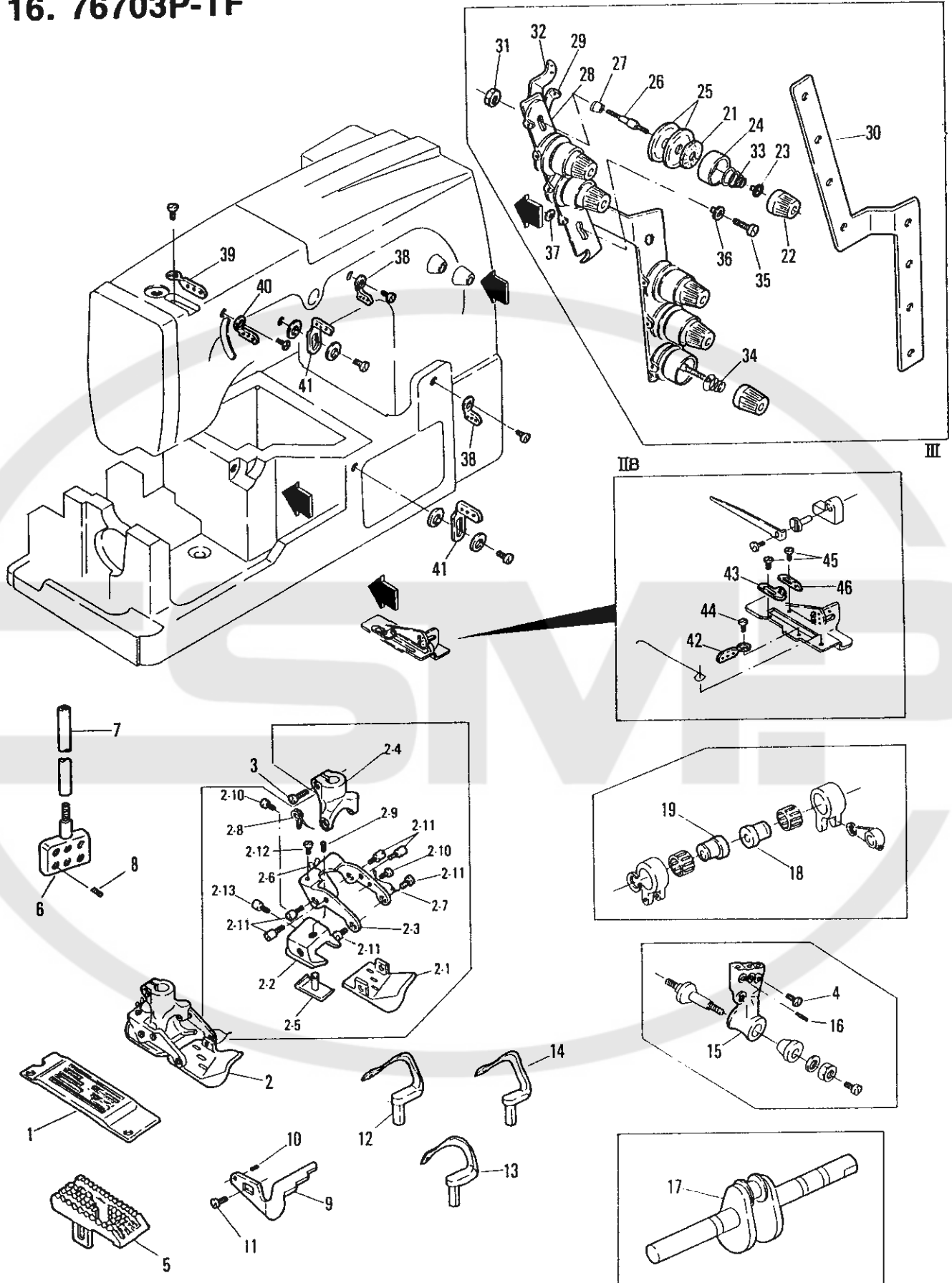
Ref. No.	Part No.	Part Name	Q'ty	Ref. No.	Part No.	Part Name	Q'ty
1	B60615	Feed eccentric 0.9	1	6-3	B61406-3	Hinge screw	1
2	B60615	Feed eccentric 0.9	1	7	B61022	Screw	2
3	B60528	Crank shaft (H)	1	8	B61408	Feed dog (1/4")	1
4	B61404	Looper holder	1	9	B61020	Needle bar (1/4")	1
5	B61405	Needle plate (1/4")	1	10	B61025	Needle holder (1/4")	1
6	B61406	Presser foot (1/4")	1	11	B61411	Looper, front (1/4")	1
6-1	B61406-1	Presser foot bottom	1	12	B61412	Looper, rear	1
6-2	B61406-2	Presser foot shank	1	13	B61413	Needle guard	1

**Subclass model
15. 76703P**



Ref. No.	Part No.	Part Name	Q'ty	Ref. No.	Part No.	Part Name	Q'ty
1	B61501	Needle plate (1/4")	1	19	B60201	Tension disc cover (small)	6
2	B61502	Presser foot (1/4")	1	20	B60202	Tension disc ratchet	6
2-1	B61502-1	Presser foot bottom	1	21	B60205	Tension disc cover (large)	6
2-2	B61502-2	Presser foot shank	1	22	B60206	Tension disc	12
2-3	B61502-3	Hinge screw	1	23	B60207	Tension post	6
3	B61022	Screw	3	24	B60208	Tension post collar	6
4	B61504	Needle holder (1/4")	1	25	B60209	Tension post support	1
5	B61505	Feed dog (1/4")	1	26	B60210	Tension post thread eyelet	6
6	B61020	Needle bar (1/4")	1	27	B80214	Tension post holder large	1
7	B61507	Looper, front (1/4")	1	28	B60213	Nut	5
8	B61508	Looper, center	1	29	B60212	Lead in thread eyelet	6
9	B61509	Looper, rear (1/4")	1	30	B60203	Needle thread tension spring	3
10	B61510	Needle guard	1	31	B60204	Looper thread tension spring	3
11				32	B61333	Screw	1
12	B61512	Looper thread eyelet 4	1	33			
13	B60235	Looper thread guide eyelet (left)	1	34	B60111	Washer	1
14	B60233	Screw	1	35	B61535	Looper holder	1
15	B60233	Screw	2	36	B60222	Needle lever thread eyelet 3	1
16	B60234	Looper thread guide eyelet (right)	1	37	B60219	Needle thread eyelet 3	2
17				38	B60230	Thread eyelet 3	2
18	B60214	Felt	6	39	B60225	Needle bar thread eyelet 3	1

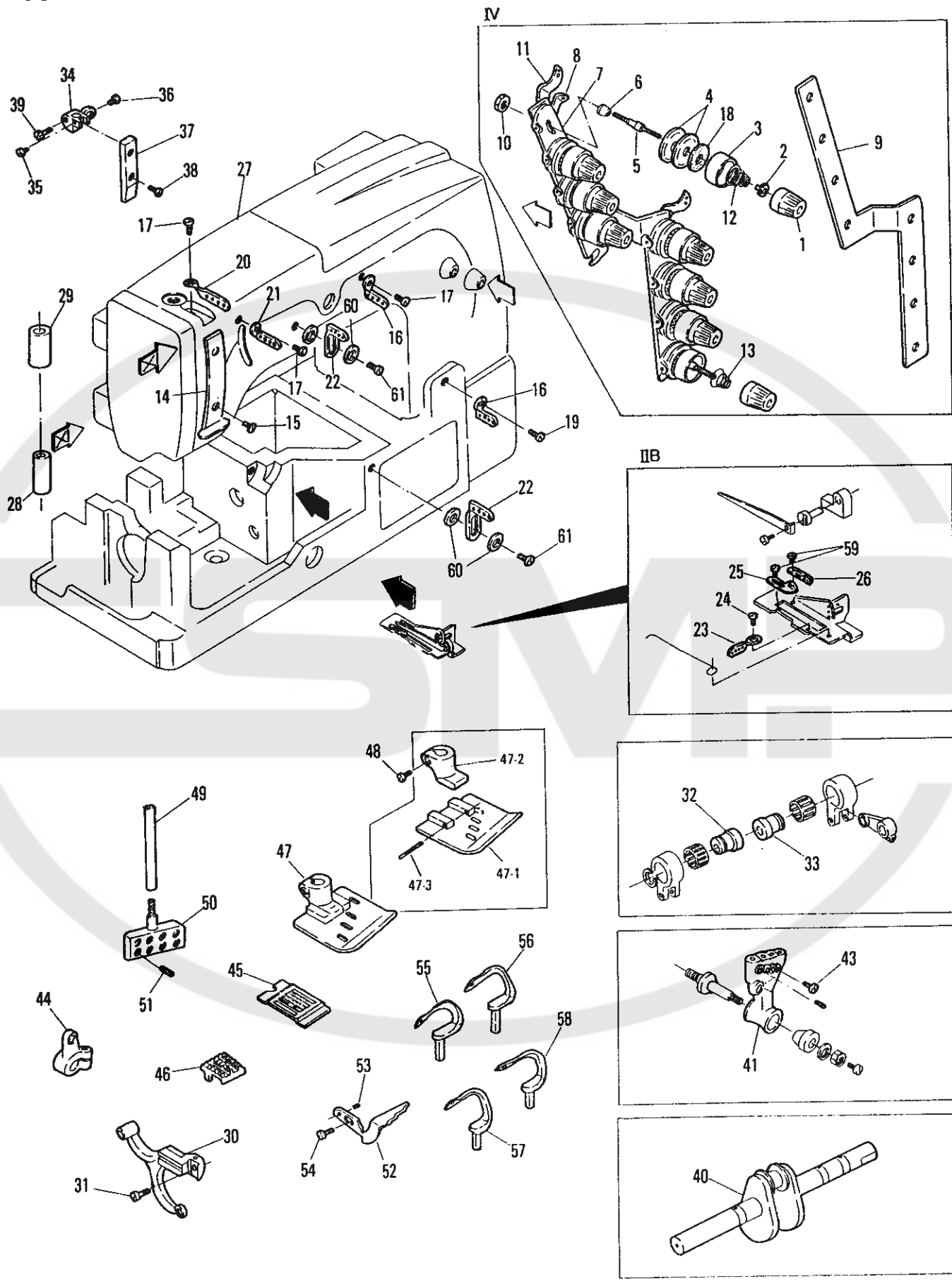
Subclass model
16. 76703P-TF



Ref. No.	Part No.	Part Name	Q'ty	Ref. No.	Part No.	Part Name	Q'ty
1	B61601	Needle plate (1/4")	1	18	B60615	Looper eccentric (0.9)	1
2	B61602	Pressure foot (1/4")	1	19	B60615	Feed eccentric (0.9)	1
2-1		Bottom front section	1	20			
2-2		Bottom rear section	1	21	B60214	Felt	6
2-3		Yoke	1	22	B60201	Tension disc cover (small)	6
2-4		Presser foot shank	1	23	B60202	Tension disc ratchet	6
2-5		Yielding section	1	24	B60205	Tension disc cover (large)	6
2-6		Equalizing spring rear section	1	25	B60206	Tension disc	12
2-7		Equalizing spring front section	1	26	B60207	Tension post	6
2-8		Yielding section spring	1	27	B60208	Tension post collar	6
2-9		Adjusting nut	1	28	B60209	Tension post support	1
2-10		Screw	2	29	B60210	Tension post thread eyelet	6
2-11		Hinge screw	6	30	B80214	Tension post holder large	1
2-12		Screw	1	31	B60213	Nut	5
2-13		Screw	1	32	B60212	Lead in thread eyelet	6
3	B61013	Screw	1	33	B60203	Needle thread tension spring	3
4	B60738	Screw	3	34	B60204	Looper thread tension spring	3
5	B61605	Feed dog (1/4")	1	35	B61333	Screw	1
6	B61504	Needle holder (1/4")	1	36			
7	B61020	Needle bar	1	37	B60111	Washer	1
8	B61022	Screw	3	38	B60230	Thread eyelet 3	2
9	B61510	Needle guard	1	39	B60226	Needle bar thread eyelet 3	1
10	B61035	Screw	1	40	B60222	Needle lever thread eyelet 3	1
11	B60651	Screw	1	41	B60219	Needle thread eyelet 3	2
12	B61507	Looper, front (1/4")	1	42	B61512	Looper thread eyelet 4	1
13	B61508	Looper, center	1	43	B60235	Looper thread guide eyelet (left)	1
14	B61509	Looper, rear (1/4")	1	44	B60233	Screw	1
15	B61535	Looper, holder	1	45	B60233	Screw	2
16	B61616	Screw	1	46	B60234	Looper thread guide eyelet (right)	1
17	B60528	Crank shaft (H)	1				

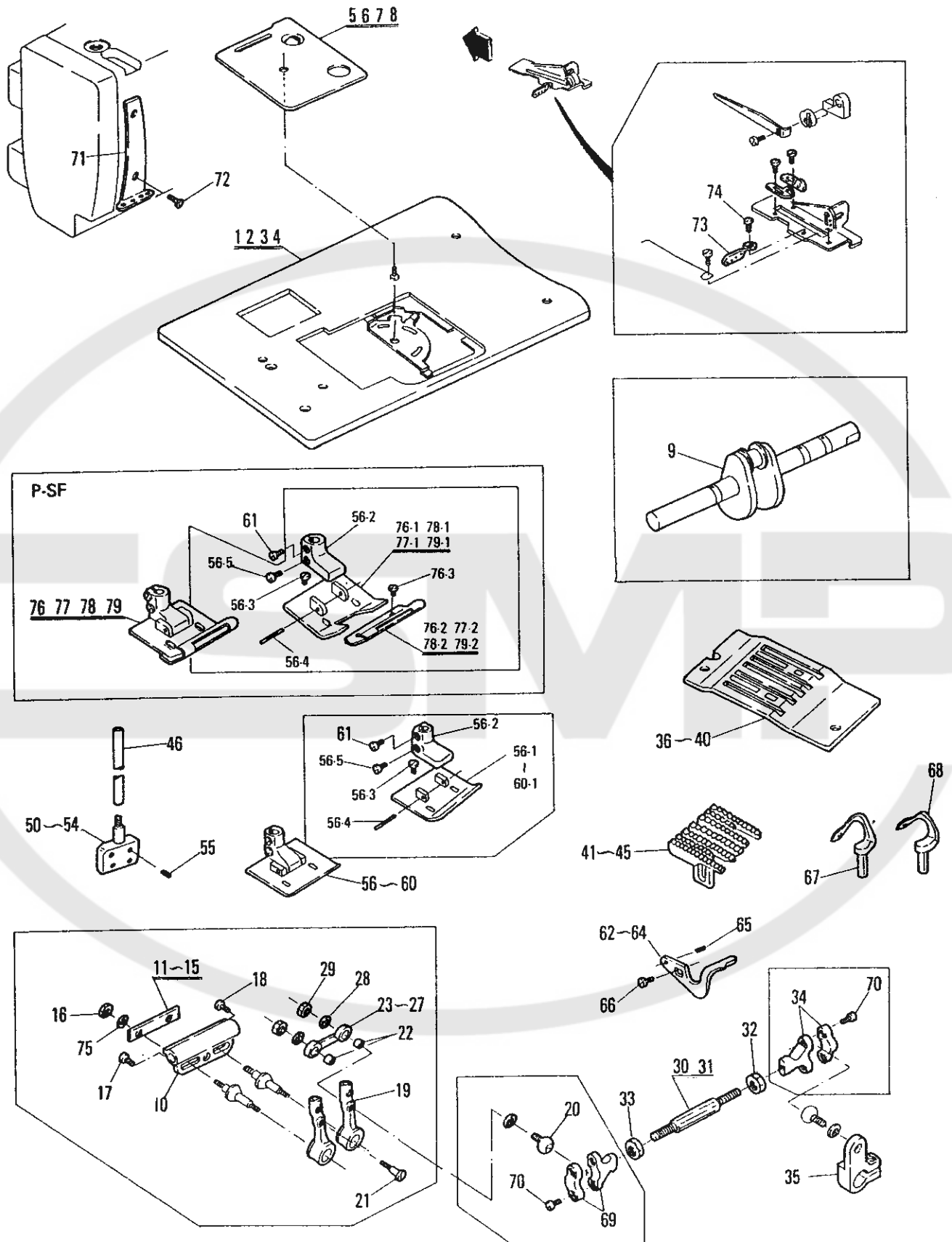
CSMP

Subclass model
17. 76704P



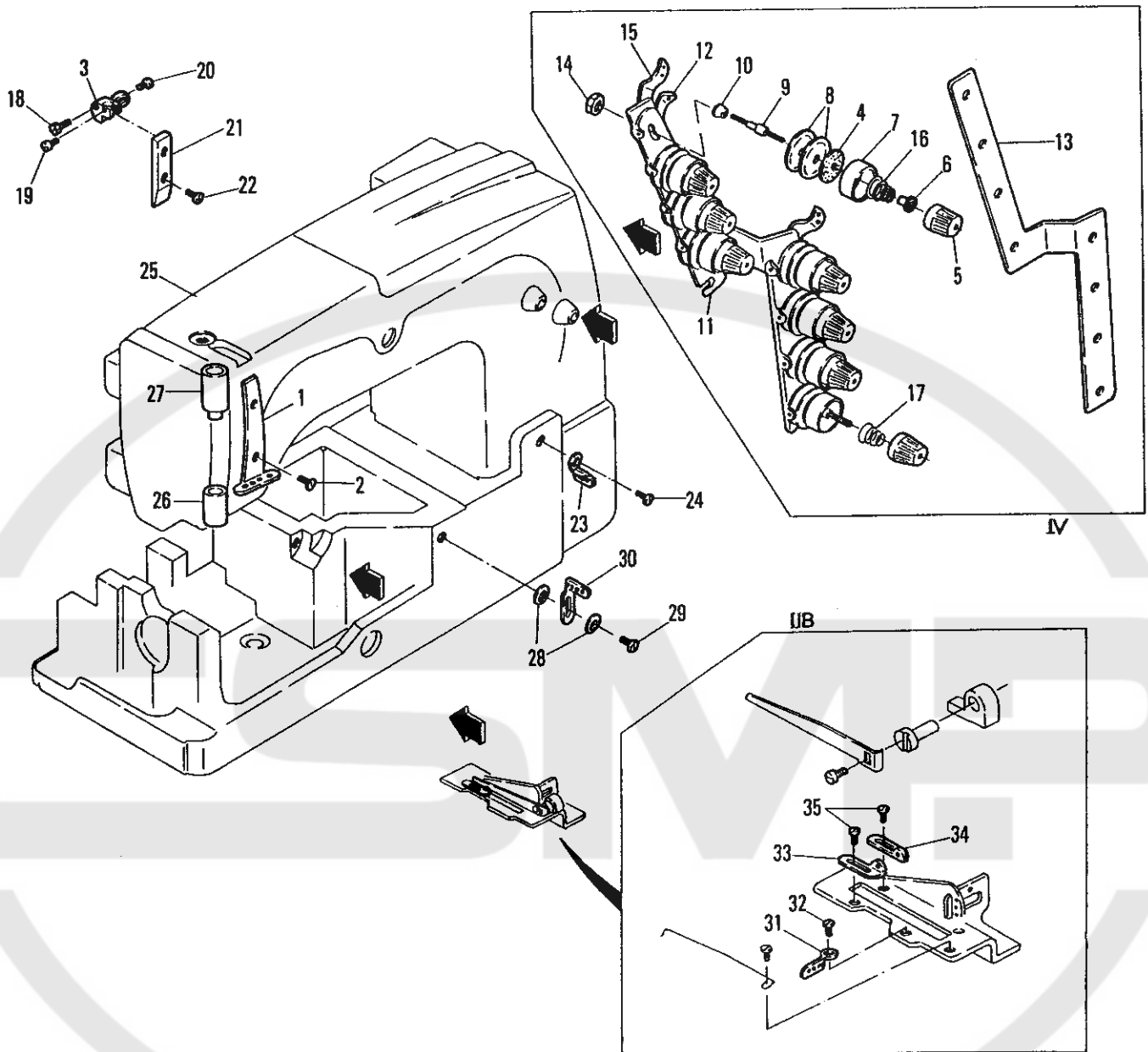
Ref. No.	Part No.	Part Name	Q'ty	Ref. No.	Part No.	Part Name	Q'ty
1	B60201	Tension disc cover (small)	8	33	B60615	Eccentric 0.9 (for looper avoid)	1
2	B60202	Tension disc ratchet	8	34	B60514	Needle bar connection	1
3	B60205	Tension disc cover (large)	8	35	B60231	Screw	1
4	B60206	Tension disc	16	36	B60515	Screw	1
5	B60207	Tension post	8	37	B60525	Needle bar guide plate	1
6	B60208	Tension post collar	8	38	B60107	Screw	2
7	B60209	Tension post support	1	39	B60633	Screw	1
8	B60210	Tension post thread eyelet (upper)	8	40	B60528	Crank shaft (H)	1
9	B80214	Tension post holder (large)	1	41	B61741	Looper holder	1
10	B60213	Nut	6	42			
11	B60212	Lead in thread eyelet (lower)	8	43	B60738	Screw	4
12	B60203	Needle thread tension spring	4	44	B61744	Looper driving lever	1
13	B60204	Looper thread tension spring	4	45	B61745	Needle Plate (1")	1
14	B80238	Needle thread guide. 4	1	46	B61746	Feed dog (1")	1
15	B60229	Screw	2	47	B61747	Presser foot (1")	1
16	B80229	Thread eyelet 4	2	47-1	B61747-1	Presser foot bottom	1
17	B60132	Screw	3	47-2	B61747-2	Presser foot shank	1
18	B60214	Felt	8	47-3	B61747-3	Pin	1
19	B60231	Screw	1	48	B61013	Screw	1
20	B80235	Needle bar thread eyelet 4	1	49	B61020	Needle bar	1
21	B80234	Needle lever thread eyelet 4	1	50	B61750	Needle holder	1
22	B80233	Needle thread eyelet 4	2	51	B61022	Screw	4
23	B61512	Looper thread guide eyelet 4	1	52	B61752	Needle guard	1
24	B60233	Screw	1	53	B61035	Screw	1
25	B60235	Looper thread guide eyelet (left)	1	54	B60651	Screw	1
26	B60234	Looper thread guide eyelet (right)	1	55	B61755	Looper 1	1
27	B60101	Arm bed	1	56	B61756	Looper 2	1
*28	B60321	Needle bar bushing (lower)	1	57	B61757	Looper 3	1
*29	B60320	Needle bar bushing (upper)	1	58	B61758	Looper 4	1
30	B61730	Feed rocker	1	59	B60233	Screw	2
31	B60652	Screw	1	60	B60105	Washer	4
32	B60615	Eccentric 0.9 (for feed)	1	61	B60123	Screw	2

Subclass model
18. 76707P•P-SF



Ref. No.	Part No.	Part Name	Q'ty	Ref. No.	Part No.	Part Name	Q'ty
1	B61101	Upper cloth plate (7/8", 1")	1	49	B61850	Needle holder (7/8")	1
2	B61802	Upper cloth plate (1-1/8")	1	50	B61851	Needle holder (1")	1
3	B61803	Upper cloth plate (1-1/4")	1	51	B61852	Needle holder (1-1/8")	1
4	B61804	Upper cloth plate (1-1/2")	1	52	B61853	Needle holder (1-1/4")	1
5	B61102	Slide plate (7/8", 1")	1	53	B61854	Needle holder (1-1/2")	1
6	B61806	Slide plate (1-1/8")	1	54	B61022	Screw	2
7	B61807	Slide plate (1-1/4")	1	55	B61856	Presser foot (7/8")	1
8	B61808	Slide plate (1-1/2")	1	56	B61856-1	Presser foot bottom	1
9	B60528	Crank shaft (M)	1	56-1	B61856-2	Presser foot shank	1
10	B61810	Looper rocker	1	56-2	B61856-3	Screw	1
11	B61811	Connecting supporter (7/8")	1	56-3	B61856-4	Pin Screw	1
12	B61812	Connecting supporter (1")	1	56-4	B61856-5	Screw	1
13	B61813	Connecting supporter (1-1/8")	1	56-5	B61857	Presser foot (1")	1
14	B61814	Connecting supporter (1-1/4")	1	57	B61857-1	Presser foot bottom	1
15	B61815	Connecting supporter (1-1/2")	1	57-1	B61858	Presser foot (1-1/8")	1
16	B60644	Nut	2	58	B61858-1	Presser foot bottom	1
17	B60729	Screw	1	58-1	B61859	Presser foot (1-1/4")	1
18	B60729	Screw	1	59	B61859-1	Presser foot bottom	1
19	B61819	Looper holder	2	59-1	B61860	Presser foot (1-1/2")	1
20	B61820	Connecting rod	1	60	B61860-1	Presser foot bottom	1
21	B61821	Screw	1	60-1	B61013	Screw	1
22	B60930	Collar	2	61	B61862	Needle guard (7/8", 1")	1
23	B61823	Connecting link (7/8")	1	62	B61863	Needle guard (1-1/8", 1-1/4")	1
24	B61824	Connecting link (1")	1	63	B61864	Needle guard (1-1/2")	1
25	B61825	Connecting link (1-1/8")	1	64	B61035	Screw	1
26	B61826	Connecting link (1-1/4")	1	65	B60651	Screw	1
27	B61827	Connecting link (1-1/2")	1	66	B61867	Looper, front	1
28		Washer	2	67	B61868	Looper, rear	1
29	B60932	Nut	2	68	B60701	Looper rocker connecting ball joint (left)	1
30	B61830	Connecting bar (1-1/8", 1-1/4", 1-1/2")	1	69	B60702	Screw	4
31	B61831	Connecting bar (1", 7/8")	1	70	B80238	Needle thread guide 4	1
32	B60213	Nut, right	1	71	B60229	Screw	2
33	B60628	Nut, left	1	72	B61512	Looper thread guide eyelet 4	1
34	B61834	Looper rocker connecting ball joint (right)	1	73	B60233	Screw	1
35	B62033	Looper driving lever	1	74	B60645	Washer	2
36	B61836	Needle plate (7/8")	1	75	B61876	Presser foot P-SF (1")	1 set
37	B61837	Needle plate (1")	1	76-1	B61876-1	Presser foot bottom (1")	1
38	B61838	Needle plate (1-1/8")	1	76-2	B61876-2	Yielding section (1")	1
39	B61839	Needle plate (1-1/4")	1	76-3	B61876-3	Screw	2
40	B61840	Needle plate (1-1/2")	1	77	B61877	Presser foot, P-SF (1-1/8")	1 Set
41	B61841	Feed dog (7/8")	1	77-1	B61877-1	Presser foot bottom (1-1/8")	1
42	B61842	Feed dog (1")	1	77-2	B61877-2	Yielding section (1-1/8")	1
43	B61843	Feed dog (1-1/8")	1	78	B61878	Presser foot P-SF (1-1/4")	1 Set
44	B61844	Feed dog (1-1/4")	1	78-1	B61878-1	Presser foot bottom (1-1/4")	1
45	B61845	Feed dog (1-1/2")	1	78-2	B61878-2	Yielding section (1-1/4")	1
46	B61020	Needle bar	1	79	B61879	Presser foot P-SF (1-1/2")	1 Set
47				79-1	B61879-1	Presser foot, bottom (1-1/2")	1
48				79-2	B61879-2	Yielding section (1-1/2")	1

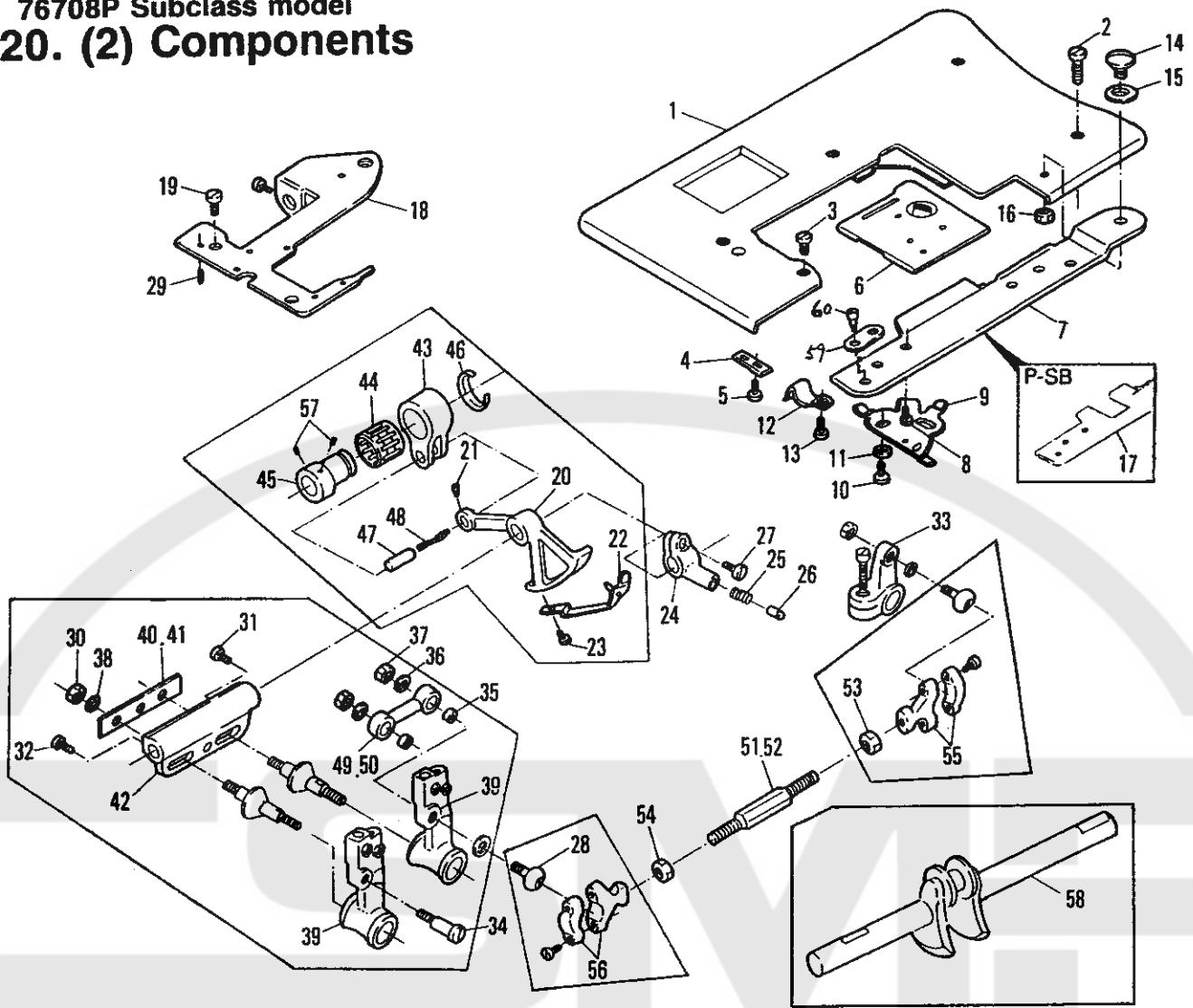
76708P Subclass model
19. (1) Thread eyelet components



Ref. No.	Part No.	Part Name	Q'ty
1	B80238	Needle thread guide, 4	1
2	B60229	Screw	2
3	B60514	Needle bar connection	1
4	B60214	Felt	8
5	B60201	Tension disc cover (small)	8
6	B60202	Tension disc racher	8
7	B60205	Tension disc cover (large)	8
8	B60206	Tension disc	16
9	B60207	Tension post	8
10	B60208	Tension post collar	8
11	B60209	Tension post support	1
12	B60210	Tension post thread eyelet (upper)	8
13	B80214	Tension post holder (large)	1
14	B60213	Nut	6
15	B60212	Lead in thread eyelet (lower)	8
16	B60203	Needle thread tension spring	4
17	B60204	Looper thread tension spring	4
18	B60633	Screw	1

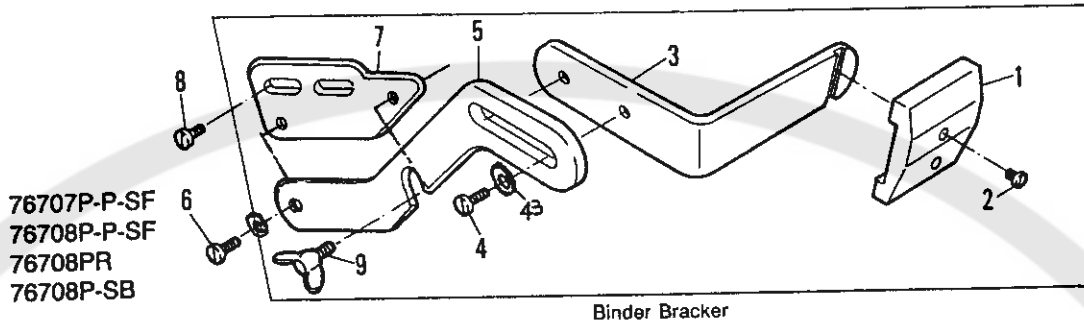
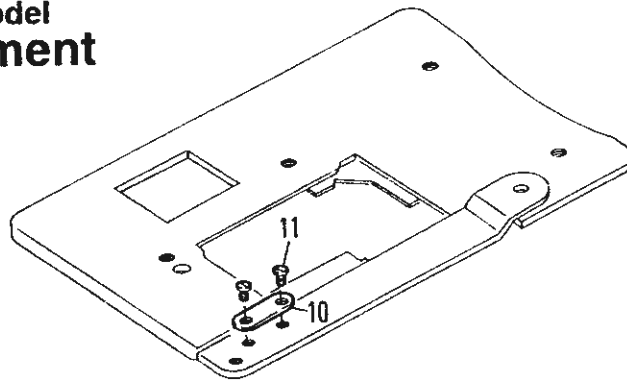
Ref. No.	Part No.	Part Name	Q'ty
19	B60231	Screw	1
20	B60515	Screw	1
21	B60525	Needle bar guide plate	1
22	B60107	Screw	2
23	B80229	Looper thread eyelet 4	1
24	B60231	Screw	1
25	B60101	Arm bed	1
*26	B60321	Needle bar bushing (lower)	1
*27	B60320	Needle bar bushing (upper)	1
28	B60105	Washer	2
29	B60123	Screw	1
30	B80233	Needle thread eyelet 4	1
31	B61512	Looper thread guide eyelet 4	1
32	B60233	Screw	1
33	B60235	Looper thread guide eyelet (left)	1
34	B60234	Looper thread guide eyelet (right)	1
35	B60233	Screw	2

76708P Subclass model
20. (2) Components



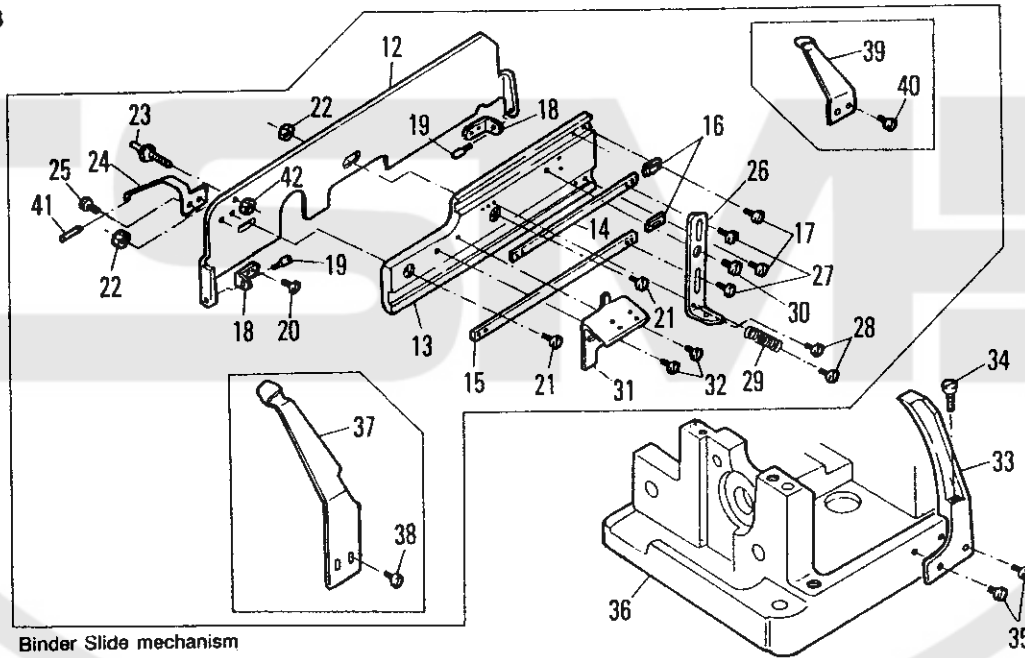
Ref. No.	Part No.	Part Name	Q'ty	Ref. No.	Part No.	Part Name	Q'ty
1	B62001	Upper cloth plate	1	33	B62033	Looper driving lever	1
2	B60157	Screw	2	34	B61821	Screw	1
3	B60158	Screw	3	35	B60930	Coller	2
4	B80156	Holder	1	36	B60105	Washer	2
5	B80157	Screw	2	37	B60932	Nut	2
6	B62006	Slide plate	1	38	B60645	Washer	2
7	B62007	Front plate cover	1	39	B62039	Looper holder	2
8	B60154	Screw	1	40	B62040	Connecting supporter (3/16", 1", 3/16")	1
9	B62009	Spring for slide plate	1	41	B62041	Connecting supporter (1/4", 1", 1/4")	1
10	B60156	Screw	3	42	B61810	Looper rocker	1
11	B60155	Washer	3	*43	B60613	Eccentric link	1
12	B80158	Spring	1	*44	B60614	Bearing	1
13	B80159	Screw	1	*45	B80715	Looper avoid eccentric (0.8)	1
14	B80154	Screw	1	*46	B60612	Snap ring	1
15	B60979	Washer	2	*47	B60617	Connecting link pin	1
16	B60918	Nut	1	*48	B60446	Felt	1
17	B60217	Front plate cover	1	49	B62049	Looper connecting link (1/4", 1", 1/4")	1
18	B62018	Needle plate support	1	50	B62050	Looper connecting link (3/16", 1", 3/16")	1
19	B60160	Screw	3	51	B61830	Connecting bar (1/4", 1", 1/4")	1
20	B62020	Looper avoid lever	1	52	B61831	Connecting bar (3/16", 1", 3/16")	1
21	B62021	Screw	1	53	B60705	Nut (right)	1
22	B62022	Spring	1	54	B60703	Nut (left)	1
23	B60241	Screw	1	55	B61834	Looper rocker connecting ball joint (right)	1
24	B62024	Stop lever	1	56	B60701	Looper rocker connecting ball joint (left)	1
25	B62025	Spring	1	*57	B60616	Screw	2
26	B62026	Pin	1	58	B60528	Crank shaft (H)	1
27	B62027	Screw	1	59	B80163	Folder mounting bracket	1
28	B61820	Connecting rod	1	60	B60509	Screw	2
29	B60161	Knock pin	2				
30	B60644	Nut	2				
31	B60729	Screw	1				
32	B60729	Screw	1				

76708P Subclass model
21. (3) Attachment



Binder Bracker

76708P-SB

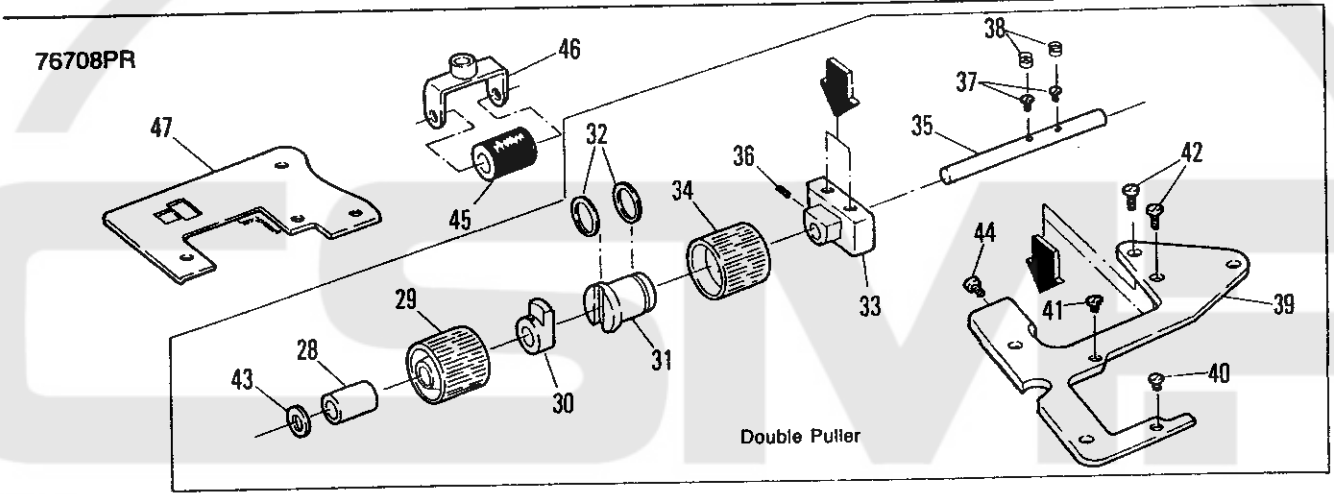
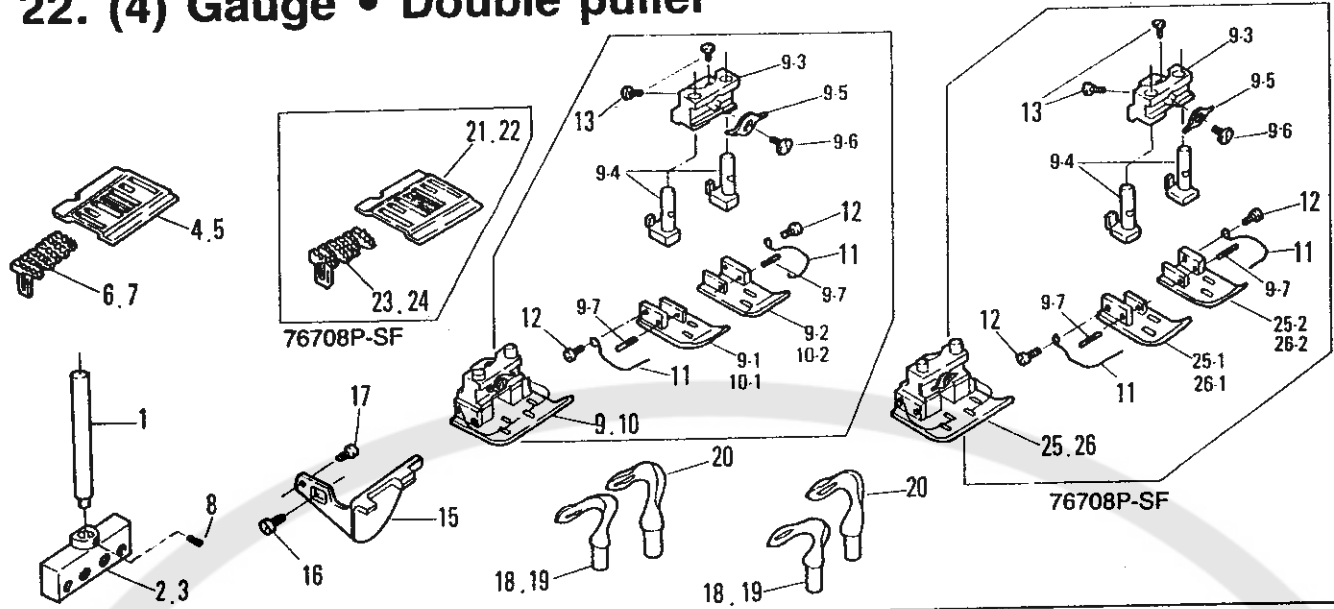


Binder Slide mechanism

Ref. No.	Part No.	Part Name	Q'ty	Ref. No.	Part No.	Part Name	Q'ty
1	B62101	Fixing clamp.	1	22		Nut	2
2	B60132	Screw	1	23		Mounting screw	1
3	B62103	Mounting base for holder	1	24		Latch spring	1
4	B60123	Screw	2	25		Screw	2
5	B62105	Mounting slide for holder	1	26		Operating lever	1
6	B60107	Screw	1	27		Slide guide screw	2
7	B62107	Mounting base for holder	1	28		Screw	2
8	B60107	Screw	1	29		Spring	1
9	B62109	Bolt	1	30		Screw	1
*10	B80163	Mounting bracket for holder	1	31		Binder bracket	1
*11	B60509	Screw	2	32		Screw	2
12		Bracket plate	1	33		Throat plate support	1
13		Slide base	1	34		Screw	1
14		Slide plate (small)	1	35		Screw	2
15		Slide plate (large)	1	36		Arm bed	1
16		Adjusting stopper	2	37		Tape guide (left)	1
17		Screw	4	38		Screw	2
18		Bracket pin	2	39		Tape guide (right)	1
19		Screw	2	40		Screw	2
20		Screw	4	41		Pin	1
21		Screw	2	42		Nut	1
				43		Washer	2

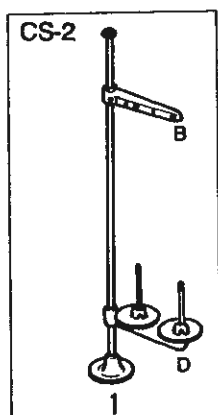
76708P subclass model

22. (4) Gauge • Double puller

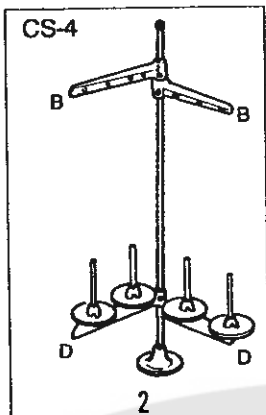


Ref. No.	Part No.	Part Name	Q'ty	Ref. No.	Part No.	Part Name	Q'ty
1	B62201	Needle bar	1	19	B62219	Looper front (3/16")	2
*2	B62202	Needle holder (1/4", 1", 1/4")	1set	20	B62220	Looper rear (1/4" or 3/16")	2
2-1		Needle holder (1/4", 1", 1/4")		21	B62221	Needle plate (1/4", 1", 1/4")	1
2-2		Needle clamp		22	B62222	Needle plate (3/16", 1", 3/16")	1
2-3		Screw		23	B62223	Feed dog (1/4", 1", 1/4")	1
2-4		Screw		24	B62224	Feed dog (3/16", 1", 3/16")	1
2-5		Screw		25	B62225	Presser foot (1/4", 1", 1/4")	1set
2-6		Screw		25-1		Presser foot, bottom (left)	1
*3	B62203	Needle holder (3/16", 1", 3/16")	1set	25-2		Presser foot, bottom (right)	1
3-1		Needle holder (3/16", 1", 3/16")		26	B62226	Presser foot (3/16", 1", 3/16")	1set
4	B62204	Needle plate (1/4" 1", 1/4")	1	26-1		Presser foot, bottom (left)	1
5	B62205	Needle plate (3/16", 1", 3/16")	1	26-2		Presser foot, bottom (right)	1
6	B62206	Feed dog (1/4", 1", 1/4")	1				
7	B62207	Feed dog (3/16", 1", 3/16")	1	27			
8	B62208	Screw	1	28	B62228	Bushing	1
9	B62209	Presser foot (1/4", 1", 1/4")	1set	29	B62229	Rear puller left	1
9-1		Presser foot, bottom (left)	1	30	B62230	Rear puller stopper left	1
9-2		Presser foot, bottom (right)	1	31	B62231	Rear puller right core	1
9-3		Presser foot, shank	1	32	B62232	Snap ring	2
9-4		Presser foot, yielding section	2	33	B62233	Rear puller, stopper right	1
9-5		Presser foot, bottom lever	1	34	B62234	Rear puller, right	1
9-6		Screw	1	35	B62235	Shaft	1
9-7		Pin Screw	2	36	B60149	Screw	3
10	B62210	Presser foot (3/16", 1", 3/16")	1set	37	B62237	Screw	2
10-1		Presser foot, bottom (left)	1	38	B62238	Spring	2
10-2		Presser foot bottom (right)	1	39	B62239	Needle plate support	1
11	B81118	Needle guard bar	2	40	B62240	Screw	1
12	B81117	Screw	2	41	B60229	Screw	1
13	B81119	Screw	2	42	B60160	Screw	2
14				43	B60639	Washer	1
15	B62215	Needle guard (1/4" or 3/16")	1	44	B60162	Screw	1
16	B60651	Screw	1	45	B81085	Rear puller	1
17	B61035	Screw	1	46	B60981	Rear puller holder	1
18	B62218	Looper front (1/4")	2	47	B62247	Upper cloth plate	1

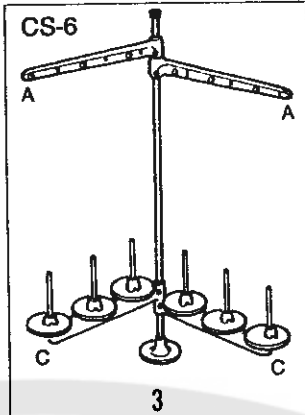
23. Thread stand



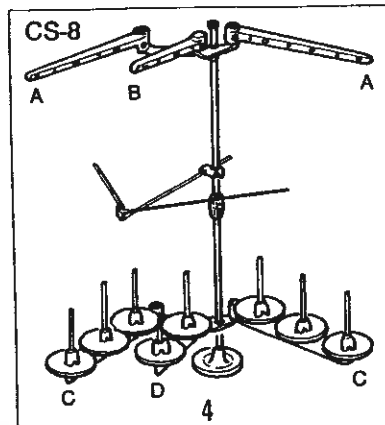
76701



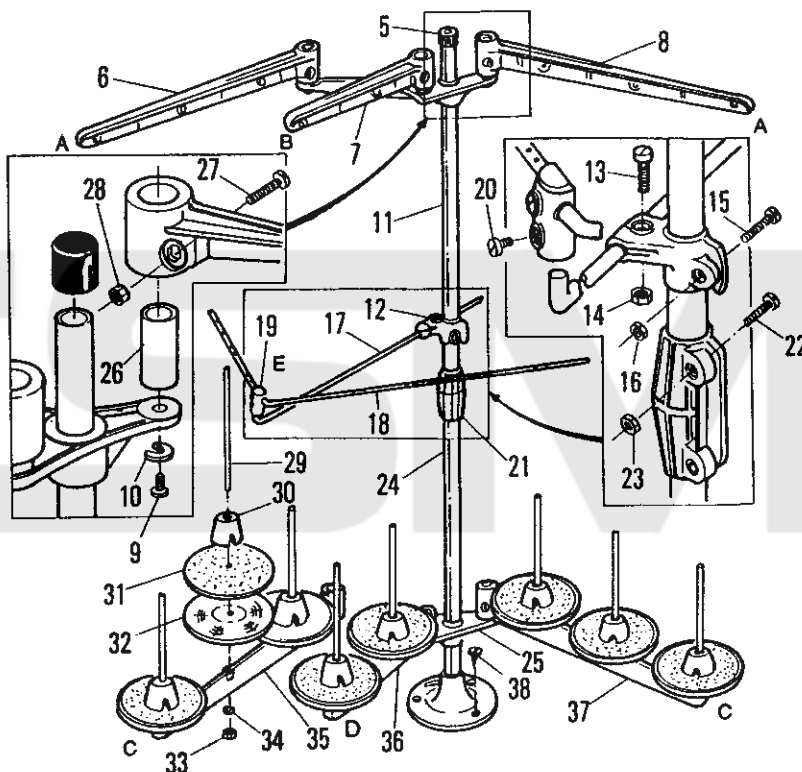
76702



76703
76707

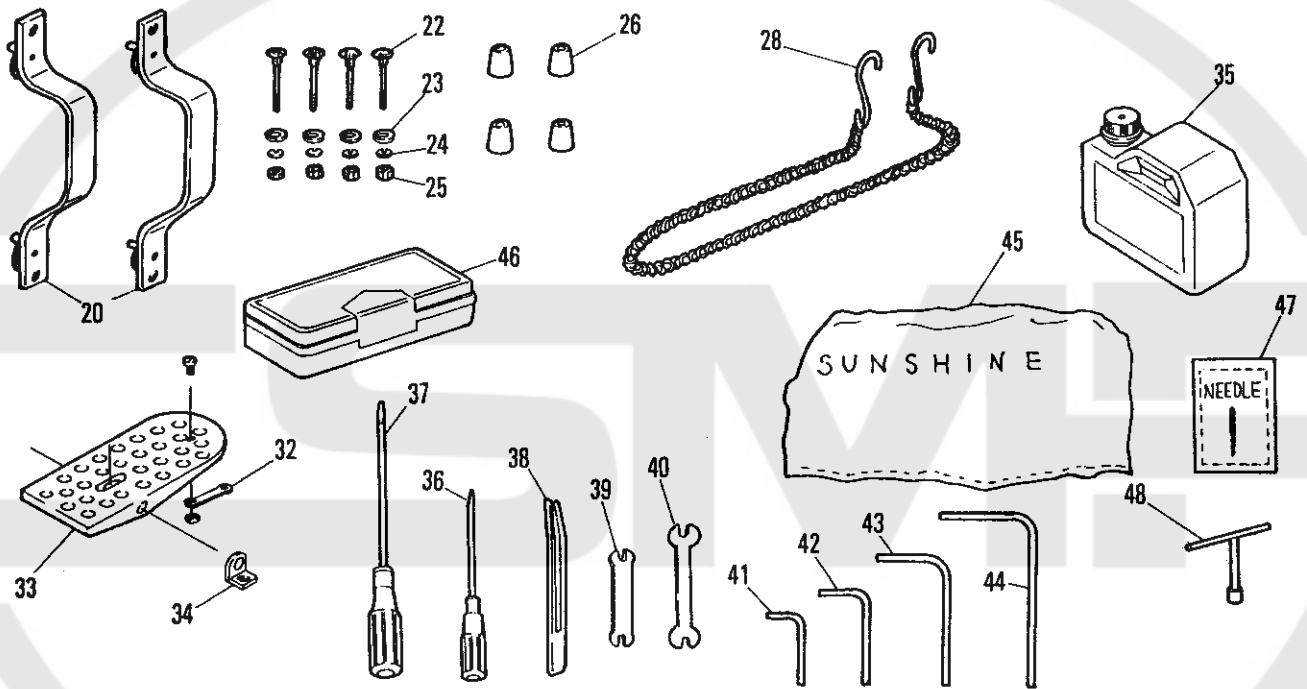
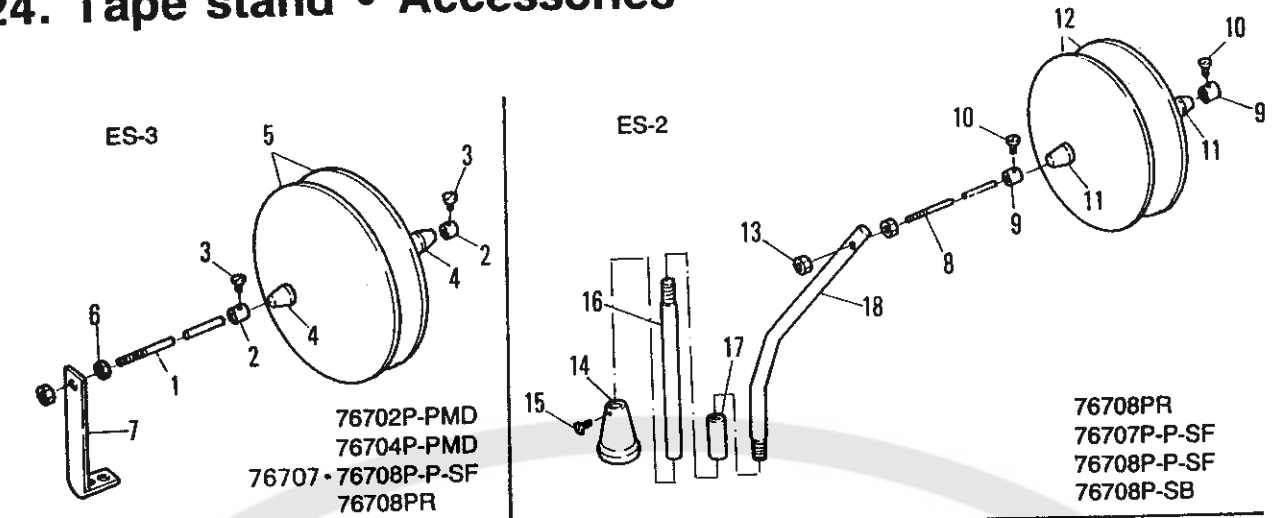


76704
76708



Ref. No.	Part No.	Part Name	Q'ty	Ref. No.	Part No.	Part Name	Q'ty
1		Thread stand (2) CS-2	1set	20		Screw	2
2		Thread stand (4) CS-4	1set	21		Joint	1
3		Thread stand (6) CS-6	1set	22		Screw	2
4		Thread stand (8) CS-8	1set	23		Nut	2
5		Cap	1	24		Bar (low)	1
6		Thread guide bracket (3)		25		Base	2
7		Thread guide bracket (2)		26		Mounting bracket	6
8		Thread guide bracket (3)		27		Screw	
9		Screw	6	28		Nut	
10		Washer	6	29		Spool pin	
11		Bar (upper)	1	30		Spool retaining fin	
12		Shank	1	31		Spool mat	
13		Screw	1	32		Spool tray	
14		Nut	1	33		Nut	
15		Screw	1	34		Washer	
16		Nut	1	35		Spool pin bracket (3)	
17		Thread eyelet guide arm bar	1	36		Spool pin bracket (2)	
18		Thread eyelet guide	1	37		Spool pin bracket (3)	
19		Joint	1	38		Screw	3

24. Tape stand • Accessories



Ref. No.	Part No.	Part Name	Q'ty	Ref. No.	Part No.	Part Name	Q'ty
1		Post	1	26	B62426	Cushion rubber	4
2		Stop collar	2	27			
3		Hex bolt	2	28	B62428	Tie-rod (Joint)	1
4		Collar	2	29			
5		Tape reel disc	2	30			
6		Nut	2	31			
7		Tape reel plate	1	32	B62432	Coupling	1
8		Post	1	33	B62433	Pedal	1
9		Stop collar	2	34	B62434	Pedal stopper	2
10		Hex bolt	2	35	B62435	Oil	1
11		Collar	2	36	B62436	Screw driver (small)	1
12		Tape reel disc	2	37	B62437	Screw driver (large)	1
13		Nut	2	38	B62438	Tweezers	1
14		Base	1	39	B62439	Spanner (small)	1
15		Hex bolt	2	40	B62440	Spanner (large)	1
16		Post	1	41	B62441	Wrench A	1
17		Connecting pipe	1	42	B62442	Wrench B	1
18		Post	1	43	B62443	Wrench C	1
19				44	B62444	Wrench D	1
20	B62420	Machine mount bracket	2	45	B62445	Machine cover	1
21				46	B62446	Accessory box	1
22	B62422	Screw	4	47	B62447	Needle	1
23	B62423	Washer M8	4	48	B62448	Wrench T	1
24	B62424	Spring washer	4				
25	B62425	Nut	4				

25. Table stand installation diagram

