

# Z-8550A Z-8560A

---

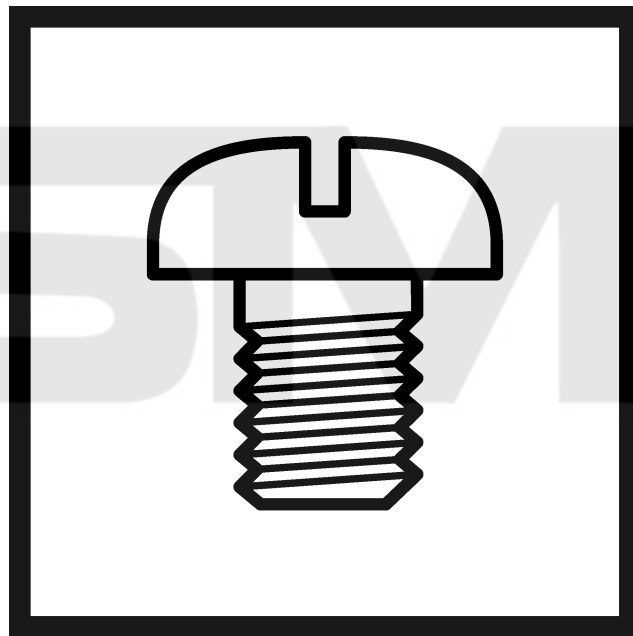
本縫ダイレクトドライブ電子千鳥縫ミシン

本縫ダイレクトドライブ電子千鳥縫自動糸切りミシン

ELECTRONIC DIRECT DRIVE ZIGZAG LOCK STITCHER

ELECTRONIC DIRECT DRIVE ZIGZAG LOCK STITCHER

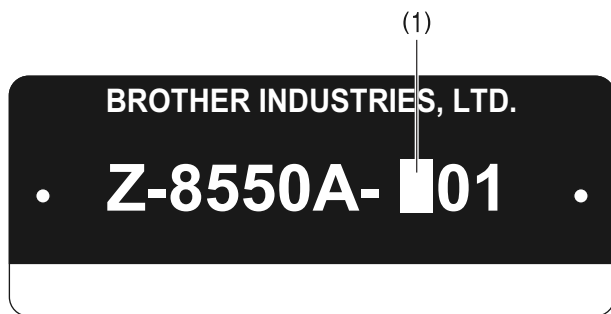
WITH THREAD TRIMMER



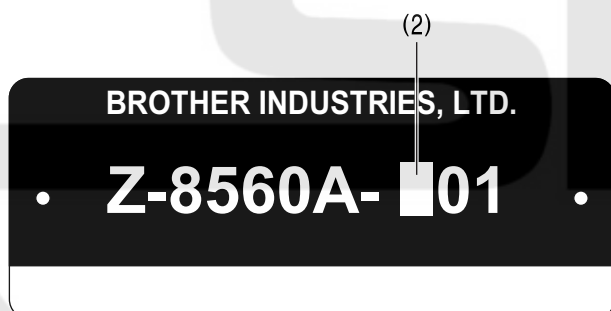
---

**brother**<sup>®</sup>



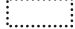


- (1) —
- 0: スタンダード  
Standard
  - A: スタンダード + 電磁止め縫い装置  
Standard + Back tack / Condence device



- (2) —
- 3: 糸切り + 上糸繰り出し装置 + 電磁止め縫い装置 (日本向)
  - 4: Thread trimmer + Upper thread feeding device + Back tack / Condence device + Thread wiper  
(except for Japan)

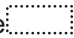
# パーツブックご利用に際して

1. この本は、2005年8月のデータに基づいて作成されたものです。
2. 部品は予告なしに設計変更される場合があります。
3. 組単位で補給する部品は、破線で示してあります。

## 目 次

|                            |    |
|----------------------------|----|
| A. 主体関係 .....              | 1  |
| B. 針棒・天秤関係 .....           | 3  |
| C. 千鳥関係 .....              | 7  |
| D. 押え関係 .....              | 9  |
| E. 送り関係 .....              | 11 |
| F. 膝上げ関係 .....             | 17 |
| G. 逆転関係 .....              | 19 |
| H1. かま関係 .....             | 21 |
| H2. かま関係 .....             | 23 |
| J. 給油潤滑関係 .....            | 25 |
| K. 糸通し関係 .....             | 29 |
| L. 糸巻関係 .....              | 31 |
| M1. 糸切り関係 .....            | 33 |
| M2. 糸切り関係 .....            | 35 |
| N. 糸緩め関係 .....             | 37 |
| P. 糸払い関係 .....             | 39 |
| Q1. コントロールボックス、モータ関係 ..... | 41 |
| Q2. コントロールボックス関係 .....     | 43 |
| Q3. コントロールボックス関係 .....     | 45 |
| R. 膝スイッチ関係 .....           | 47 |
| S. 逆転スイッチ関係 .....          | 49 |
| T. 電磁押え上げセット関係 .....       | 51 |
| Z. 付属品関係 .....             | 53 |
| Ga1. ゲージ部品一覧表 .....        | 57 |
| Ga2. ゲージ部品一覧表 .....        | 58 |
| Ga3. ゲージ部品一覧表 .....        | 59 |
| Wa. 警告ラベル .....            | 60 |
| 索引 .....                   | 61 |

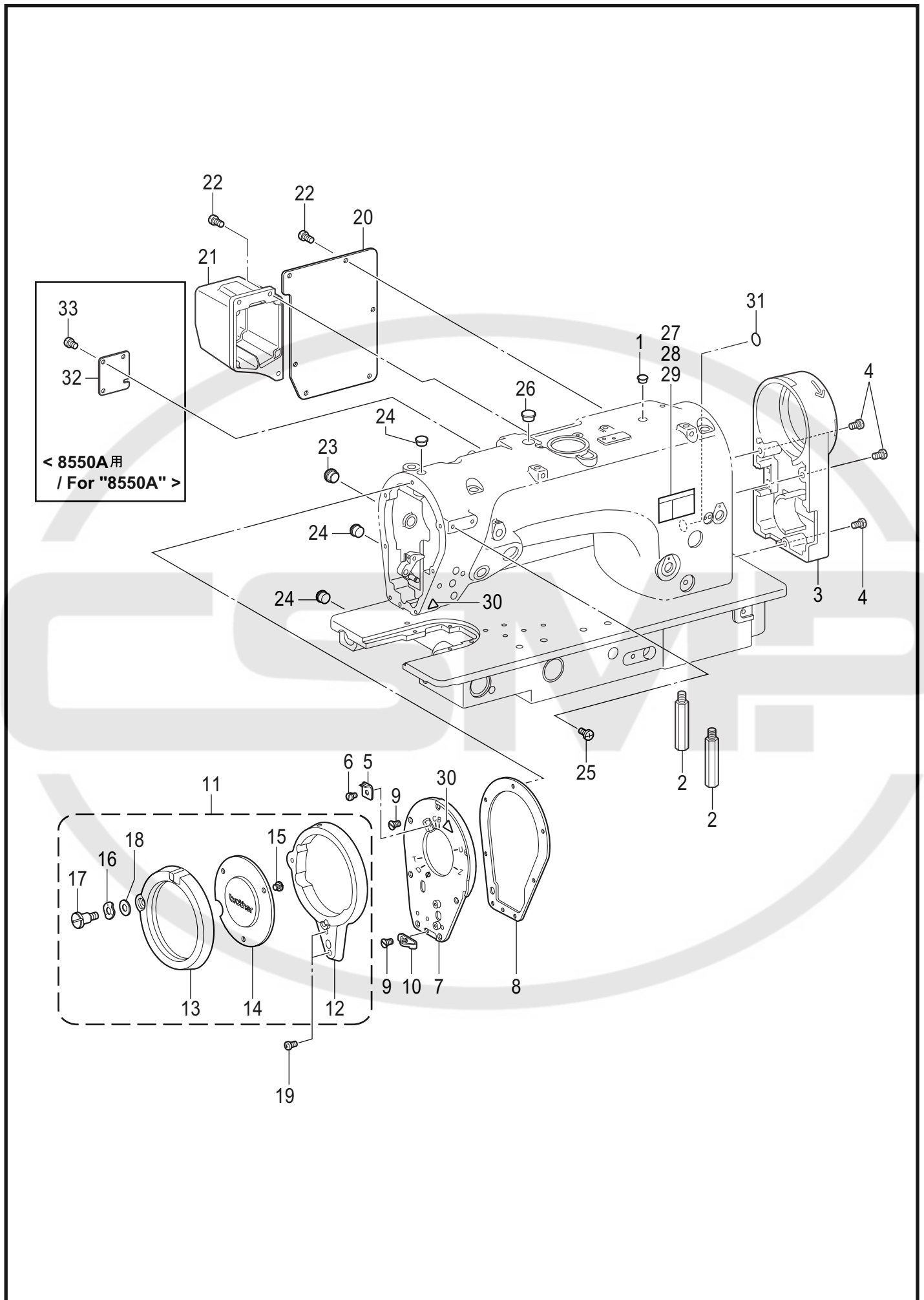
# Notes for using this parts book

1. This book was prepared based on information available in August 2005.
2. Parts are subject to changes in design without prior notice.
3. Parts supplied as complete assemblies are circled by a dotted line: .

## CONTENTS

|  |    |
|--|----|
| A. Machine body .....                            | 1  |
| B. Needle bar and thread take-up mechanism ..... | 3  |
| C. Zigzag mechanism .....                        | 7  |
| D. Presser foot mechanism .....                  | 9  |
| E. Feed mechanism .....                          | 11 |
| F. Knee lifter mechanism .....                   | 17 |
| G. Quick reverse mechanism .....                 | 19 |
| H1. Rotary hook mechanism .....                  | 21 |
| H2. Rotary hook mechanism .....                  | 23 |
| J. Lubrication .....                             | 25 |
| K. Threading mechanism .....                     | 29 |
| L. Bobbin winder mechanism .....                 | 31 |
| M1. Thread trimmer mechanism .....               | 33 |
| M2. Thread trimmer mechanism .....               | 35 |
| N. Tension release mechanism .....               | 37 |
| P. Thread wiper mechanism .....                  | 39 |
| Q1. Control box and motor mechanism .....        | 41 |
| Q2. Control box mechanism .....                  | 43 |
| Q3. Control box mechanism .....                  | 45 |
| R. Knee switch mechanism .....                   | 47 |
| S. Quick reverse switch mechanism .....          | 49 |
| T. Presser foot lifting solenoid set .....       | 51 |
| Z. Accessories .....                             | 53 |
| Ga1. Gauge parts list .....                      | 57 |
| Ga2. Gauge parts list .....                      | 58 |
| Ga3. Gauge parts list .....                      | 59 |
| Wa. Warning labels .....                         | 60 |
| Index .....                                      | 61 |

A . 主体関係 / Machine body

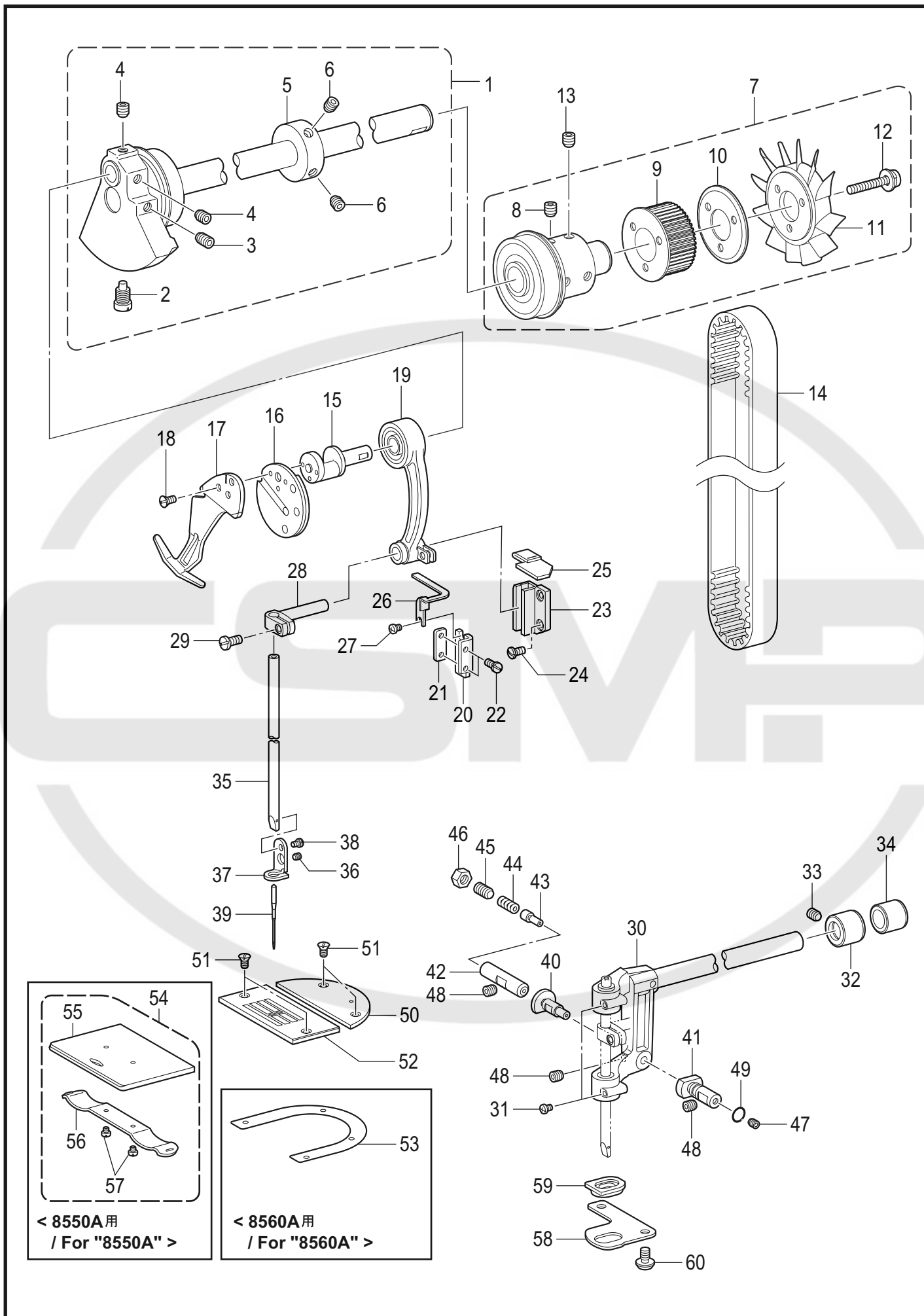


## A. 主体関係 / Machine body

| REF.NO | CODE      | Q'TY | 品名                     | NAME OF PARTS   | RM |
|--------|-----------|------|------------------------|---|----|
| 1      | 117936001 | 1    | ゴムセン9.4                | RUBBER CAP, 9.4   |    |
| 2      | SA4897001 | 2    | キャクチュウ                 | STUD  |    |
| 3      | SA4898001 | 1    | モータカバー                 | MOTOR COVER   |    |
| 4      | 062501216 | 3    | ナベコ5X12                | SCREW PAN M5X12   |    |
| 5      | S48006001 | 1    | メンイタメス                 | FACE PLATE KNIFE  |    |
| 6      | 100242003 | 1    | シメネジ3.57               | SCREW, SM3.57-40X5  |    |
| 7      | SA4899001 | 1    | メンイタ                   | FACE PLATE  |    |
| 8      | S48008000 | 1    | メンイタパツキン               | FACE PLATE PACKING  |    |
| 9      | SA5124001 | 8    | サラネジ4                  | SCREW, FLAT M4  |    |
| 10     | SA4900001 | 1    | イトアンナイ                 | THREAD GUIDE  |    |
| 11     | S48010301 | 1    | テンビンガ-ドクミ              | THREAD TAKE-UP GUARD ASSY                                     |    |
| 12     | S48011101 | 1    | テンビンガ-ド                | THREAD TAKE-UP GUARD  |    |
| 13     | 158047009 | 1    | テンビンガ-ドカバー             | THREAD TAKE-UP GUARD COVER                                    |    |
| 14     | 158045009 | 1    | カバー-マド                 | COVER WINDOW  |    |
| 15     | 141544001 | 3    | シメネジ3.18               | SCREW, SM3.18-40X3  |    |
| 16     | S52015201 | 1    | ナミガタバネザガネ              | WASHER WAVE SPRING  |    |
| 17     | S48012201 | 1    | ダンネジ4.76               | SHOULDER SCREW SM4.76   |    |
| 18     | 025770232 | 1    | ヒラザガネチュウ6.35           | WASHER PLAIN M SM6.35   |    |
| 19     | 062401016 | 2    | ナベコ4X10                | SCREW PAN M4X10   |    |
| 20     | SA4901001 | 1    | ガワイタ                   | REAR COVER  |    |
| 21     | SA4902001 | 1    | パルスモータカバー              | PULSE MOTOR COVER   |    |
| 22     | 062501216 | 9    | ナベコ5X12                | SCREW PAN M5X12   |    |
| 23     | 104449001 | 1    | ゴムセン15.5               | RUBBER CAP, 15.5  |    |
| 24     | 104821001 | 3    | ゴムセン10.5               | RUBBER CAP, 10.5  |    |
| 25     | 060400816 | 2    | バインド4X8                | SCREW BIND M4X8   |    |
| 26     | 150592001 | 1    | ゴムセン16                 | RUBBER CAP, 16  |    |
| 27     | S38350001 | 1    | <日本向用><br>ソウサチユウイラベル.ワ | -----<br><Except for Japan & China ><br>LABEL, OPERATION ENG. |    |
| 28     | S38349001 | 1    | -----                  | <For China only><br>LABEL, OPERATION CHN.                     |    |
| 29     | SA5322001 | 1    | -----                  |   |    |
| 30     | S36924001 | 2    | ワーニングマーク               | INJURY MARK   |    |
| 31     | S37060001 | 1    | ア-スマーク                 | LABEL, GROUNDING  |    |
| 32     | SA4903001 | 1    | <8550A用><br>マドイタ       | <For "8550A"><br>WINDOW PLATE                                 |    |
| 33     | 062500816 | 3    | ナベコ5X8                 | SCREW PAN M5X8  |    |

Z-8550A/8560A-050

B. 針棒・天秤關係 / Needle bar and thread take-up mechanism



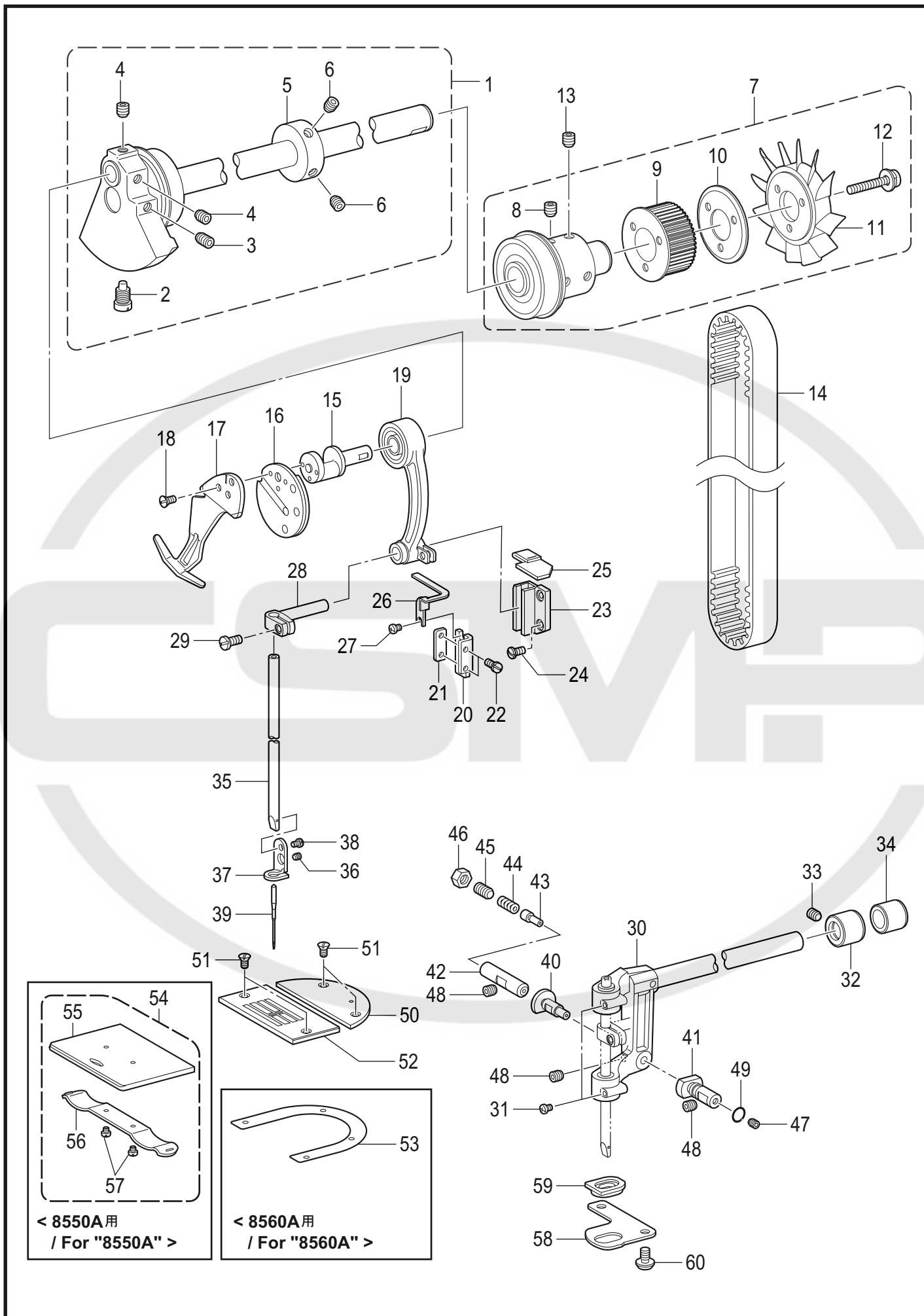


## B. 針棒・天秤関係 / Needle bar and thread take-up mechanism

| REF.NO | CODE      | Q'TY | 品名                  | NAME OF PARTS                         | RM |
|--------|-----------|------|---------------------|---------------------------------------|----|
| 1      | SA4904001 | 1    | ウワジクミ               | UPPER SHAFT ASSY                      |    |
| 2      | S25235001 | 1    | シメネジ8               | SCREW M8                              |    |
| 3      | S25236001 | 1    | アナヒラ6X10ホソメ         | SET SCREW SOCKET (FT) M6X10           |    |
| 4      | S23651001 | 2    | アナヒラ6X6ホソメ          | SET SCREW SOCKET (FT) M6X6            |    |
| 5      | SA1120001 | 1    | イトマキドウリン            | BOBBIN WINDER DRIVING WHEEL           |    |
| 6      | S23651001 | 2    | アナヒラ6X6ホソメ          | SET SCREW SOCKET (FT) M6X6            |    |
| 7      | SA1140001 | 1    | ツギテソクミ              | JOINT UNIT                            |    |
| 8      | S23651001 | 2    | アナヒラ6X6ホソメ          | SET SCREW SOCKET (FT) M6X6            |    |
| 9      | SA2250001 | 1    | タイミングプーリU           | TIMING PULLEY, U                      |    |
| 10     | S38712001 | 1    | フランジ                | FLANGE                                |    |
| 11     | S38713100 | 1    | ファン                 | FAN                                   |    |
| 12     | SA2404001 | 3    | ナベザクミ4X35DB         | SCREW, PAN (S WASHER) M4X35           |    |
| 13     | S23651001 | 2    | アナヒラ6X6ホソメ          | SET SCREW SOCKET (FT) M6X6            |    |
| 14     | SA4908001 | 1    | タイミングベルト            | TIMING BELT                           |    |
| 15     | S48036001 | 1    | ハリボウレンカンジク          | N-BAR CONNECTING ROD SHAFT            |    |
| 16     | S48037001 | 1    | テンビンイタクミ            | ROTARY TAKE-UP MOUNTING PLATE         |    |
| 17     | SA4909001 | 1    | テンビン                | ROTARY THREAD TAKE-UP LEVER           |    |
| 18     | S48041001 | 3    | サラネジ3.57            | SCREW, FLAT SM3.57                    |    |
| 19     | SA4910001 | 1    | ハリボウレンカンクミ          | NEEDLE BAR CONNECTING ROD ASSY        |    |
| 20     | SA4912001 | 1    | ハリボウレンカンアンナイ        | N-BAR CONNECTING ROD GUIDE            |    |
| 21     | SA5125001 | 1    | オサエイタ               | PRESSER PLATE                         |    |
| 22     | 018401036 | 2    | アナボルト4X10           | BOLT SOCKET M4X10                     |    |
| 23     | SA4913001 | 1    | ハリボウダキアンナイ          | NEEDLE BAR CLAMP GUIDE                |    |
| 24     | 018401036 | 2    | アナボルト4X10           | BOLT SOCKET M4X10                     |    |
| 25     | SA6093001 | 1    | フェルト                | FELT                                  |    |
| 26     | SA6092001 | 1    | フェルトオサエイタ           | PRESSER PLATE                         |    |
| 27     | 062300416 | 1    | ナベコ3X4              | SCREW PAN M3X4                        |    |
| 28     | SA4915001 | 1    | ハリボウダキ              | NEEDLE BAR CLAMP                      |    |
| 29     | 145318001 | 1    | シメネジ4.37            | SCREW, SM4.37                         |    |
| 30     | SA4916001 | 1    | ハリボウダイクミ            | NEEDLE BAR BASE ASSY                  |    |
| 31     | 062300416 | 2    | ナベコ3X4              | SCREW PAN M3X4                        |    |
| 32     | SA6219001 | 1    | メタルF                | BUSH F                                |    |
| 33     | 012500536 | 1    | アナヒラ5X5             | SET SCREW SOCKET (FT) M5X5            |    |
| 34     | SA4922001 | 1    | メタルR                | BUSH,R                                |    |
| 35     | SA4923001 | 1    | ハリボウ                | NEEDLE BAR                            |    |
| 36     | 140553102 | 1    | アタマツキトメネジ3.18       | SET SCREW, SM3.18                     |    |
| 37     | SA4924001 | 1    | ハリボウイトカケ            | THREAD GUIDE                          |    |
| 38     | 100105005 | 1    | シメネジ2.38            | SCREW, SM2.38X2.4                     |    |
| 39     | S48371070 | 1    | ミシンハリ134SUK         | NEEDLE, 134SUK                        |    |
| 40     | SA6487001 | 1    | ハリボウダイアンナイピン        | NEEDLE BAR BASE GUIDE PIN             |    |
| 41     | SA4926001 | 1    | ハリボウダイガイドF          | NEEDLE BAR BASE GUIDE,F               |    |
| 42     | SA6274001 | 1    | ハリボウダイガイドR          | NEEDLE BAR BASE GUIDE R               |    |
| 43     | SA6488001 | 1    | ハリボウダイオサエピン         | NEEDLE BAR BASE PRESSURE PIN          |    |
| 44     | SA6486001 | 1    | ハリボウダイアンナイバネ        | NEEDLE BAR BASE GUIDE SPRING          |    |
| 45     | 014781032 | 1    | アナクボミ635-28X10      | SET SCREW SOCKET SM6.35-28X10         |    |
| 46     | 150556003 | 1    | ナツト6.35             | NUT, SM6.35                           |    |
| 47     | 014300432 | 1    | アナクボミ3X4            | SET SCREW SOCKET (CP) M3X4            |    |
| 48     | 012500536 | 3    | アナヒラ5X5             | SET SCREW SOCKET (FT) M5X5            |    |
| 49     | 081005070 | 1    | OリングP5              | O RING P5                             |    |
| 50     | S48063001 | 1    | ホジヨハリイタ             | AUXILIARY NEEDLE PALTE                |    |
| 51     | S48041001 | 4    | サラネジ3.57            | SCREW, FLAT SM3.57                    |    |
| 52     | S48065001 | 1    | ハリイタB               | NEEDLE PLATE, B                       |    |
| 53     | S06165001 | 1    | <8560A用><br>ハリイタザガネ | <For "8560A"><br>SPACER, NEEDLE PLATE |    |
| 54     | S48068001 | 1    | <8550A用><br>スベリイタクミ | <For "8550A"><br>SLIDE PLATE ASSY     |    |
| 55     | S48069001 | 1    | スベリイタ               | SLIDE PLATE                           |    |

Z-8550A/8560A-101

B. 針棒・天秤關係 / Needle bar and thread take-up mechanism

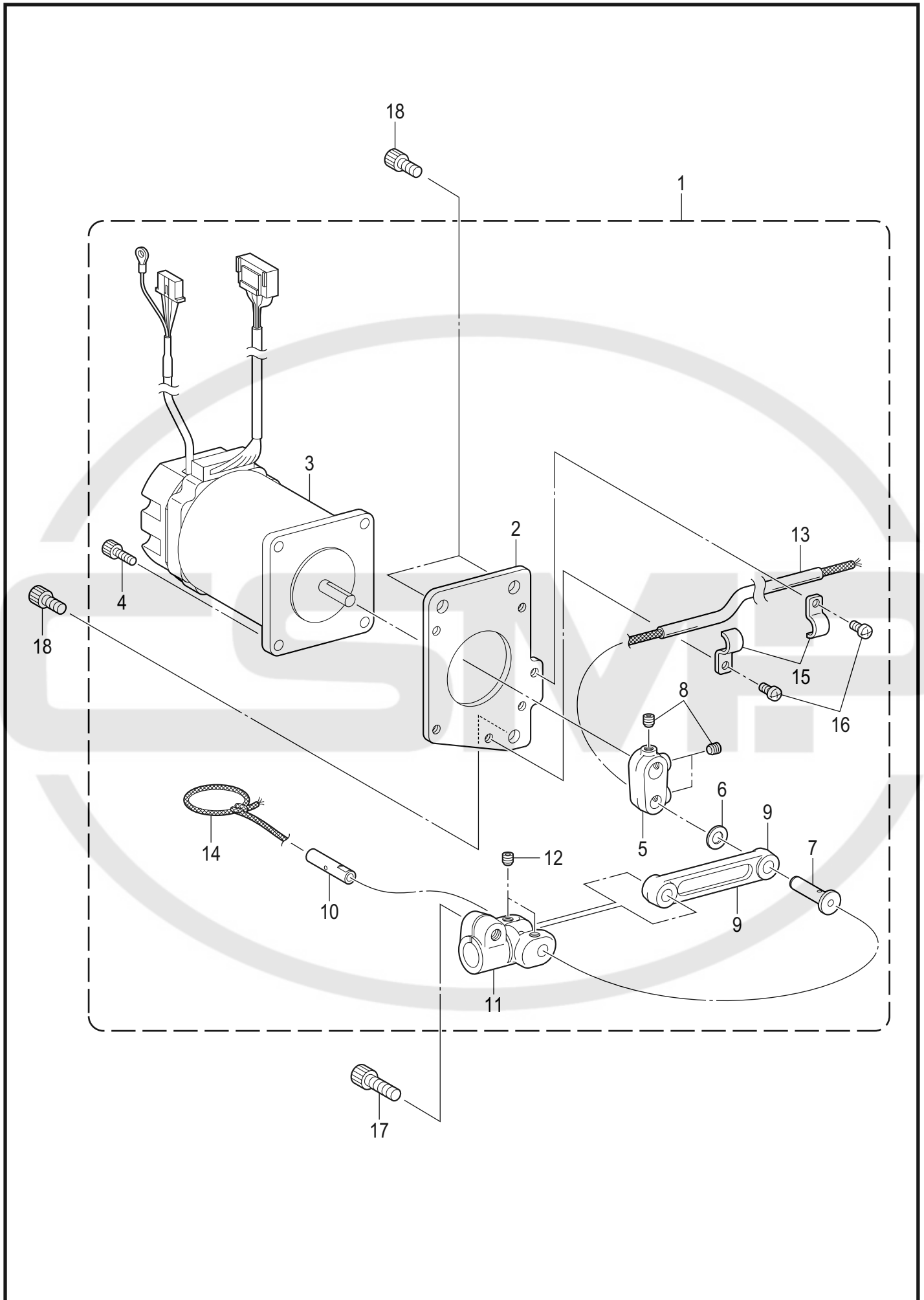


B. 針棒・天秤関係 / Needle bar and thread take-up mechanism

| REF.NO | CODE      | Q'TY | 品名                    | NAME OF PARTS                  | RM |
|--------|-----------|------|-----------------------|--------------------------------|----|
| 56     | 114561001 | 1    | <8550A用><br>スベリイタウラバネ | <For "8550A"><br>SPRING, PLATE |    |
| 57     | 122771051 | 2    | シメネジ2.38              | SCREW, SM2.38                  |    |
| 58     | SA4928001 | 1    | ストツパイタ                | STOPPER PLATE                  |    |
| 59     | S48073000 | 1    | ストツパ8                 | STOPPER, 8                     |    |
| 60     | S18291001 | 2    | ボタンヘッドネジ5X8           | SCREW, BUTTON HEAD M5X8        |    |

Z-8550A/8560A-101

C . 千鳥關係 / Zigzag mechanism

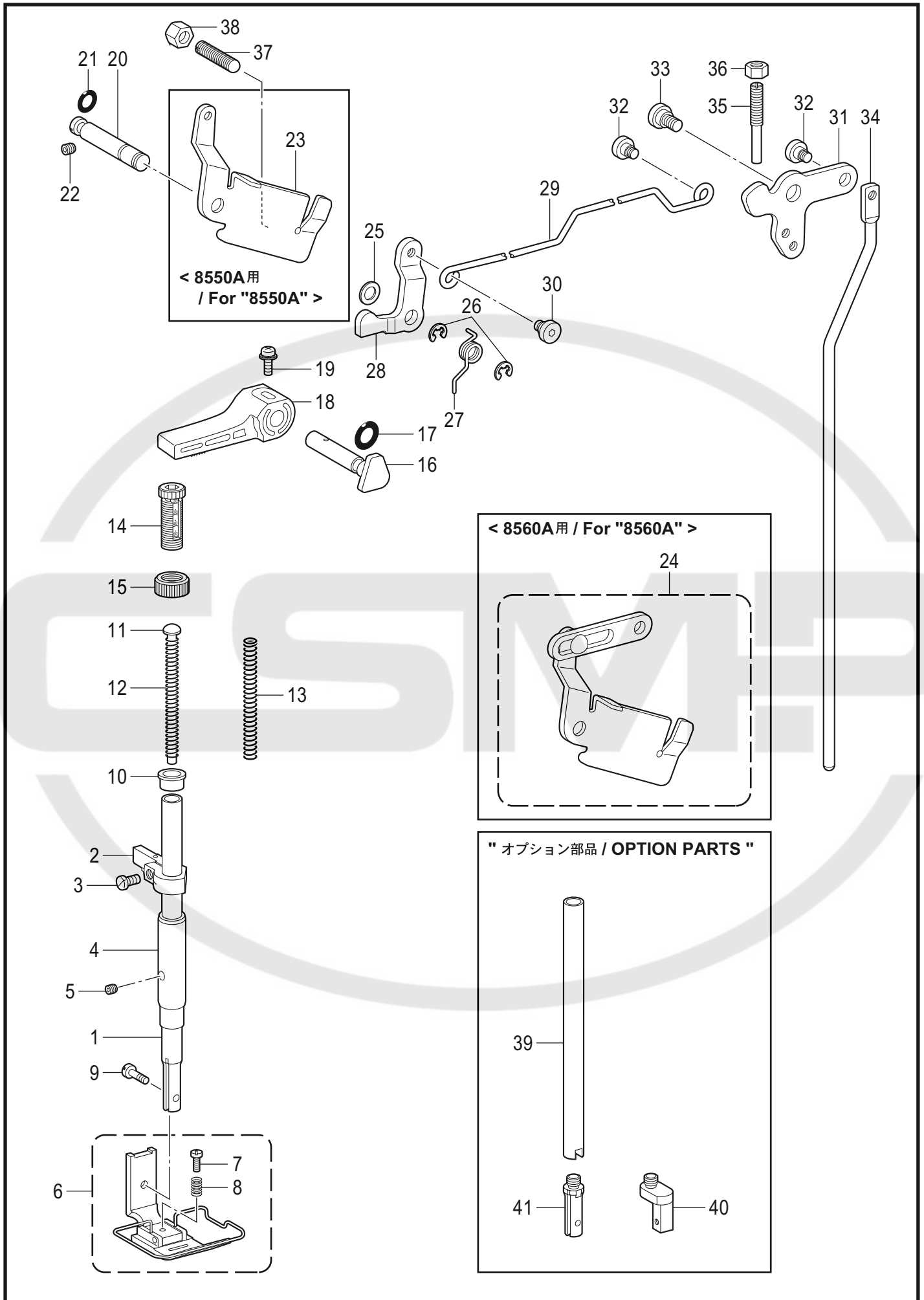


## C. 千鳥関係 / Zigzag mechanism

| REF.NO | CODE      | Q'TY | 品名         | NAME OF PARTS               | RM |
|--------|-----------|------|------------|-----------------------------|----|
| 1      | SA4929001 | 1    | ハリフリモータクミ  | ZIGZAG MOTOR ASSY           |    |
| 2      | SA4930001 | 1    | モータリツケダイ   | MOTOR SETTING BRACKET       |    |
| 3      | SA6275001 | 1    | パルスモータX5クミ | PULSE MOTOR ASSY X5         |    |
| 4      | 018401036 | 4    | アナボルト4X10  | BOLT SOCKET M4X10           |    |
| 5      | SA4931001 | 1    | モータレバー     | MOTOR LEVER                 |    |
| 6      | SA4932001 | 1    | ザガネ        | WASHER                      |    |
| 7      | SA4933001 | 1    | モータレバーク    | MOTOR LEVER SHAFT           |    |
| 8      | 012500536 | 3    | アナヒラ5X5    | SET SCREW SOCKET (FT) M5X5  |    |
| 9      | SA4934001 | 1    | ハリフリレンカン   | ZIGZAG CONNECTING ROD       |    |
| 10     | SA4935001 | 1    | ハリフリレンカンジク | ZIGZAG CONNECTING ROD SHAFT |    |
| 11     | SA4936001 | 1    | ハリフリツギテ    | ZIGZAG JOINT                |    |
| 12     | 012500536 | 2    | アナヒラ5X5    | SET SCREW SOCKET (FT) M5X5  |    |
| 13     | SA4937001 | 1    | オイルチューブ    | OIL TUBE                    |    |
| 14     | SA4938001 | 1    | クミヒモ4X4    | WICK, 4X4                   |    |
| 15     | 140647101 | 2    | コードオサエ     | CORD HOLDER                 |    |
| 16     | 062400616 | 2    | ナベコ4X6     | SCREW PAN M4X6              |    |
| 17     | 018062032 | 1    | アナボルト6X20  | BOLT SOCKET M6X20           |    |
| 18     | 018061032 | 3    | アナボルト6X10  | BOLT SOCKET M6X10           |    |

Z-8550A/8560A-105

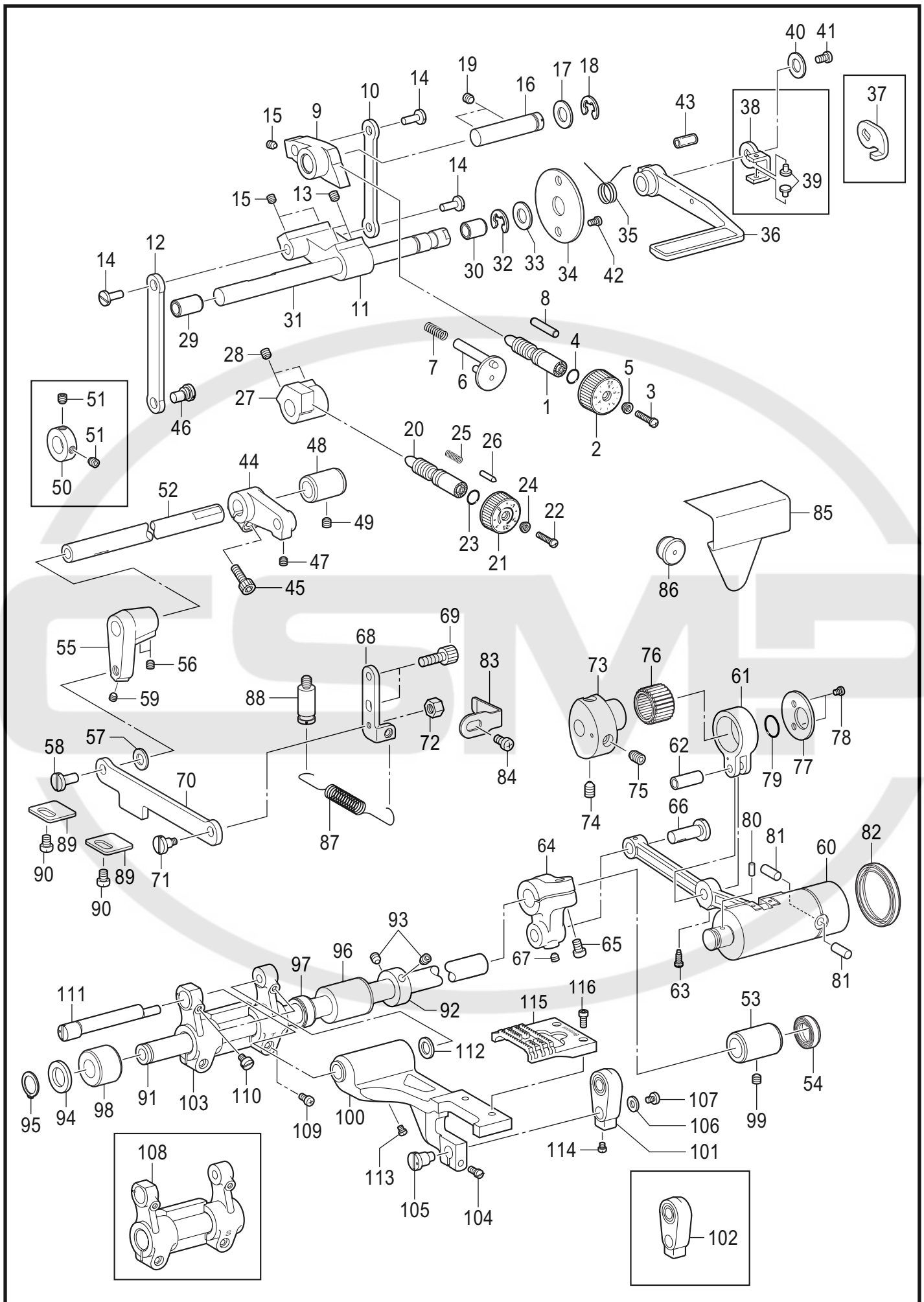
D. 押え関係 / Presser foot mechanism



## D. 押え関係 / Presser foot mechanism

| REF.NO | CODE      | Q'TY | 品名                      | NAME OF PARTS                                    | RM |
|--------|-----------|------|-------------------------|--|----|
| 1      | S48281001 | 1    | オサエボウ                   | PRESSER BAR                                      |    |
| 2      | SA4940001 | 1    | オサエボウダキ                 | PRESSER BAR BRACKET                              |    |
| 3      | S23616101 | 1    | シメネジ4X10                | SCREW, M4X10                                     |    |
| 4      | SA4941001 | 1    | オサエボウメタル                | PRESSER BAR BUSH                                 |    |
| 5      | 012400432 | 1    | アナヒラ4X4                 | SET SCREW SOCKET (FT) M4X4                       |    |
| 6      | S48293001 | 1    | オサエクミ                   | PRESSER FOOT ASSY, W/F-G                         |    |
| 7      | S48297001 | 1    | シメネジ3.18                | SCREW, SM3.18                                    |    |
| 8      | S48298001 | 1    | オサエアシバネ                 | COMPRESSION SPRING                               |    |
| 9      | 113050001 | 1    | シメネジ3.57                | SCREW, SM3.57                                    |    |
| 10     | SA7147001 | 1    | オサエバネアンナイカラー            | SPRING GUIDE COLLAR                              |    |
| 11     | S24740001 | 1    | オサエバネアンナイ               | SPRING GUIDE                                     |    |
| 12     | S48285001 | 1    | <日本向用><br>オサエバネ(黄色)     | <For Japan only><br>PRESSER BAR SPRING (YELLOW)  |    |
| 13     | S48286001 | 1    | <日本向以外用><br>オサエバネ(ブラック) | <Except for Japan><br>PRESSER BAR SPRING (BLACK) |    |
| 14     | SA1174001 | 1    | オサエチヨウセツネジM14           | PRESSER ADJUSTING SCREW, M14                     |    |
| 15     | SA1175001 | 1    | チヨウセツネジナットM14           | ADJUST SCREW NUT                                 |    |
| 16     | S31952001 | 1    | オサエアゲクランク               | PRESSER BAR LIFTER CRANK                         |    |
| 17     | 081004070 | 1    | OリングP4                  | O RING P4  |    |
| 18     | S31006001 | 1    | オサエアゲテコ                 | LIFTING LEVER                                    |    |
| 19     | S39051001 | 1    | ナベザクミ35X12              | SCREW, PAN (S/P W) M3.5X12                       |    |
| 20     | SA1181001 | 1    | オサエアゲレバージク              | PRESSER BAR LIFTER LEVER SHAFT                   |    |
| 21     | 081004070 | 1    | OリングP4                  | O RING P4  |    |
| 22     | 012500536 | 1    | アナヒラ5X5                 | SET SCREW SOCKET (FT) M5X5                       |    |
| 23     | SA4944001 | 1    | <8550A用><br>イトユルメイタ     | <For "8550A"><br>TENSION RELEASE PLATE           |    |
| 24     | SA4943001 | 1    | <8560A用><br>イトユルメレンカンクミ | <For "8560A"><br>TENSION RELEASE CON. ROD ASSY   |    |
| 25     | S07350001 | 1    | ザガネ                     | WASHER PLAIN                                     |    |
| 26     | 048050342 | 2    | トメフE5                   | RETAINING RING E5                                |    |
| 27     | SA4945001 | 1    | オサエアゲレバーバネ              | SPRING   |    |
| 28     | SA1177001 | 1    | オサエアゲレバー                | PRESSER BAR LIFTER LEVER                         |    |
| 29     | SA4947001 | 1    | ヒザアゲレンカン                | KNEE LIFTER CONNECTING ROD                       |    |
| 30     | SA1179001 | 1    | ダンネジ5                   | SHOULDER SCREW, M5                               |    |
| 31     | SA3980001 | 1    | ヒザアゲレバー                 | KNEE LIFTER LEVER                                |    |
| 32     | SA1179001 | 2    | ダンネジ5                   | SHOULDER SCREW, M5                               |    |
| 33     | SA2165001 | 1    | ダンネジ6                   | SHOULDER SCREW, M6                               |    |
| 34     | SA4948001 | 1    | ヒザアゲボウ                  | KNEE LIFTER BAR                                  |    |
| 35     | SA5416001 | 1    | チヨウセツネジ6                | ADJUSTING SCREW M6                               |    |
| 36     | 021060306 | 1    | 3シュナット6                 | NUT 3 M6   |    |
| 37     | SA4949001 | 1    | ササエネジ6                  | SCREW, M6  |    |
| 38     | 021060306 | 1    | 3シュナット6                 | NUT 3 M6   |    |
| 39     | S50114001 | 1    | <オプション用><br>オサエボウジク     | <OPTION PARTS><br>PRESSER BAR, U                 |    |
| 40     | S50115001 | 1    | オサエボウサキA                | PRESSER BAR TIP, A                               |    |
| 41     | S50116001 | 1    | オサエボウサキB                | PRESSER BAR TIP, B                               |    |

E. 送り関係 / Feed mechanism



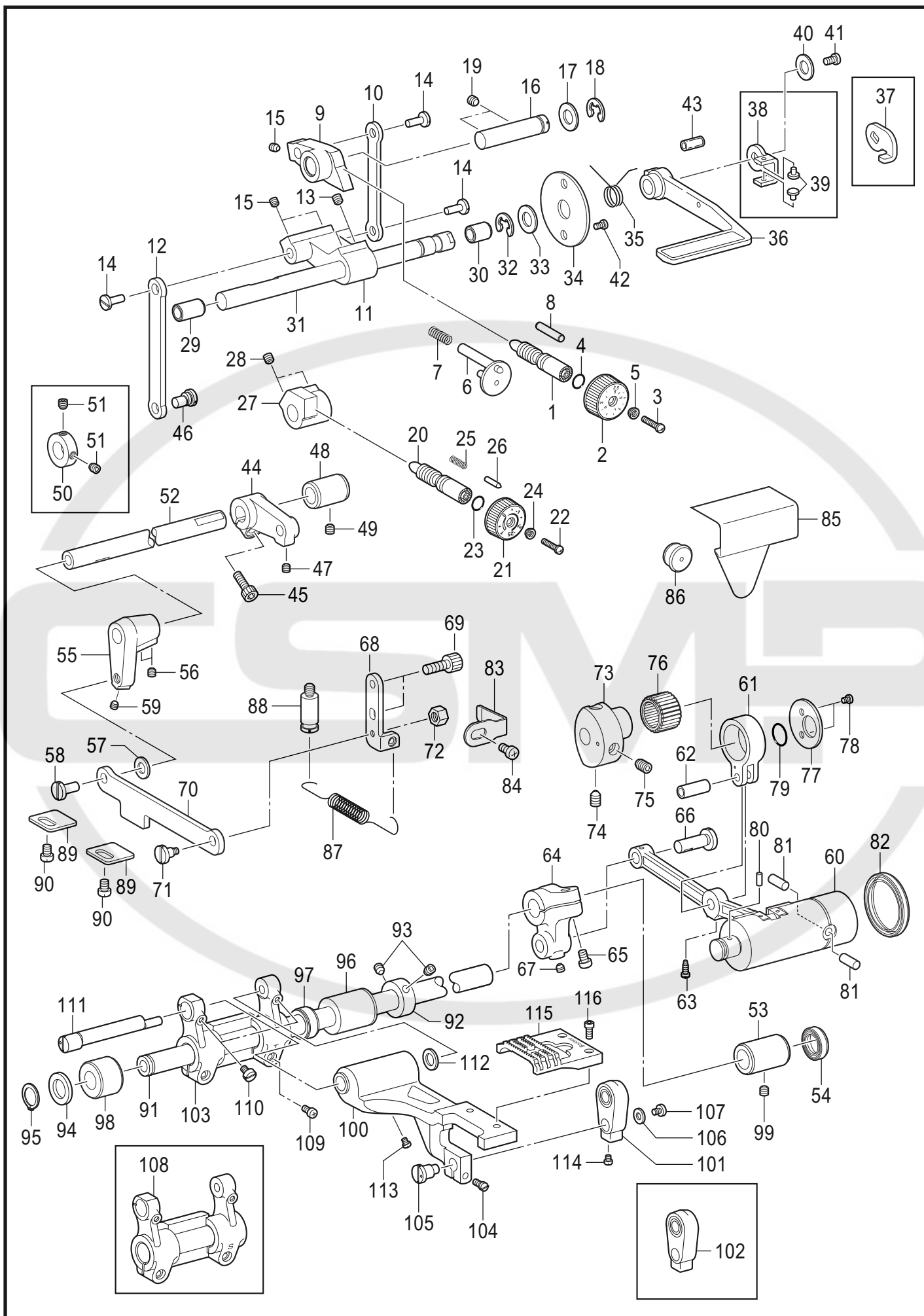


## E. 送り関係 / Feed mechanism

| REF.NO | CODE      | Q'TY | 品名                                 | NAME OF PARTS  | RM |
|--------|-----------|------|------------------------------------|--|----|
| 1      | S47433201 | 1    | オクリチヨウセツネジ                         | FEED REGULATING STUD                                       |    |
| 2      | SA4951001 | 1    | オクリメモリダイヤル5                        | STITCH LENGTH DIAL,5                                       |    |
| 3      | S21514101 | 1    | シメネジ4.76                           | SCREW, SM4.76  |    |
| 4      | 108549001 | 1    | Oリング                               | O RING   |    |
| 5      | 142746022 | 1    | メモリイタオサエ                           | FEED REGULATING SUPPORTER                                  |    |
| 6      | SA4952001 | 1    | メモリダイヤルピン                          | STITCH LENGTH DIAL PIN                                     |    |
| 7      | 149622001 | 1    | ハリボウストツパーバネ                        | SPRING, N-BAR STOPPER                                      |    |
| 8      | SA4241001 | 1    | ロックレバーピン                           | ROCK REVER PIN   |    |
| 9      | SA4954001 | 1    | オクリチヨウセツキクミ                        | FEED REGULATOR ASSY  |    |
| 10     | SA4957001 | 1    | オクリチヨウセツレンカンU                      | CONNECTING ROD, U  |    |
| 11     | SA4958001 | 1    | オクリチヨウセツレバーU                       | FEED ADJUSTING LEVER, U                                    |    |
| 12     | SA4959001 | 1    | オクリチヨウセツレンカンD                      | CONNECTING ROD, D  |    |
| 13     | S23651001 | 2    | アナヒラ6X6ホソメ                         | SET SCREW SOCKET (FT) M6X6                                 |    |
| 14     | 151308102 | 3    | レンカンジク12.5                         | STUD, 12.5   |    |
| 15     | 012500536 | 3    | アナヒラ5X5                            | SET SCREW SOCKET (FT) M5X5                                 |    |
| 16     | SA6227001 | 1    | オクリチヨウセツキジク                        | FEED REGULATOR SHAFT                                       |    |
| 17     | S20356001 | 1    | ヒラザガネ10                            | WASHER, PLAIN 10   |    |
| 18     | 048080342 | 1    | トメワE8                              | RETAINING RING E8  |    |
| 19     | 012060536 | 2    | アナヒラ6X5                            | SET SCREW, SOCKET (FT) M6X5                                |    |
| 20     | S47433201 | 1    | オクリチヨウセツネジ                         | FEED REGULATING STUD                                       |    |
| 21     | S48113001 | 1    | コンデンスダイヤル5                         | CONDENSE DIAL, 5   |    |
| 22     | 129458102 | 1    | シメネジ4.76                           | SCREW, SM4.76  |    |
| 23     | 108549001 | 1    | Oリング                               | O RING   |    |
| 24     | 142746022 | 1    | メモリイタオサエ                           | FEED REGULATING SUPPORTER                                  |    |
| 25     | 100328001 | 1    | メモリイチキメピンバネ                        | NOTCH SPRING   |    |
| 26     | S50098101 | 1    | メモリイチギメピン                          | POSITIONING PIN  |    |
| 27     | SA4961001 | 1    | コンデンスチヨウセツキ                        | CONDENSE REGULATOR   |    |
| 28     | S23651001 | 2    | アナヒラ6X6ホソメ                         | SET SCREW SOCKET (FT) M6X6                                 |    |
| 29     | 142374100 | 1    | ドライブツシュ                            | BUSH DRY :L=20   |    |
| 30     | S25469100 | 1    | ドライブツシュ                            | BUSH DRY :L=12   |    |
| 31     | SA4963001 | 1    | カエシヌイレレバージク                        | R-LEVER SHAFT  |    |
| 32     | 048080342 | 1    | トメワE8                              | RETAINING RING E8  |    |
| 33     | 025100132 | 1    | ヒラザガネシヨウ10                         | WASHER PLAIN S 10  |    |
| 34     | SA1207001 | 1    | カンザ                                | SPACER   |    |
| 35     | SA7327001 | 1    | カエシヌイレレバーオサエバネ                     | SPRING   |    |
| 36     | S07374109 | 1    | カエシヌイレレバー                          | REVERSE STITCHING LEVER                                    |    |
| 37     | SA2541001 | 1    | <8550A-A31, 8560A用><br>カエシヌイレレバーイタ | <For "8550A-A31 & 8560A"><br>REVERSE STITCHING LEVER PLATE |    |
| 38     | SA3067001 | 1    | <8550A-031用><br>レバーガイド             | <For "8550A-031"><br>LEVER GUIDE                           |    |
| 39     | S48367000 | 2    | レバーガイドゴム                           | RUBBER   |    |
| 40     | 025050336 | 1    | ヒラザガネダイヤ5                          | WASHER PLAIN L 5   |    |
| 41     | 062501216 | 1    | ナベコ5X12                            | SCREW PAN M5X12  |    |
| 42     | 062500816 | 2    | ナベコ5X8                             | SCREW PAN M5X8   |    |
| 43     | 153132000 | 1    | ナイロンチューブ                           | NYLON TUBE, L=13.5   |    |
| 44     | SA4966001 | 1    | オクリチヨウセツレバーD                       | FEED ADJUSTING LEVER, D                                    |    |
| 45     | 018501636 | 1    | アナボルト5X16                          | BOLT SOCKET M5X16  |    |
| 46     | 151308102 | 1    | レンカンジク12.5                         | STUD, 12.5   |    |
| 47     | 012500536 | 1    | アナヒラ5X5                            | SET SCREW SOCKET (FT) M5X5                                 |    |
| 48     | SA4967001 | 1    | オクリチヨウセツジクメタル                      | FEED ADJUSTING SHAFT BUSH                                  |    |
| 49     | 012060536 | 1    | アナヒラ6X5                            | SET SCREW, SOCKET (FT) M6X5                                |    |
| 50     | SA4968001 | 1    | <8550A-031用><br>セットカラー             | <For "8550A-031"><br>SET SCREW COLLAR                      |    |
| 51     | S23651001 | 2    | アナヒラ6X6ホソメ                         | SET SCREW SOCKET (FT) M6X6                                 |    |
| 52     | SA4969001 | 1    | オクリチヨウセツジク                         | FEED ADJUSTING SHAFT                                       |    |
| 53     | SA4970001 | 1    | スイヘイオクリジクメタルR                      | BUSH, R  |    |
| 54     | SA4971001 | 1    | オイルシール                             | OIL SEAL   |    |
| 55     | SA4972001 | 1    | オクリキリカエレバー                         | FEED CONNECTING LEVER                                      |    |

Z-8550A/8560A-202

E. 送り関係 / Feed mechanism

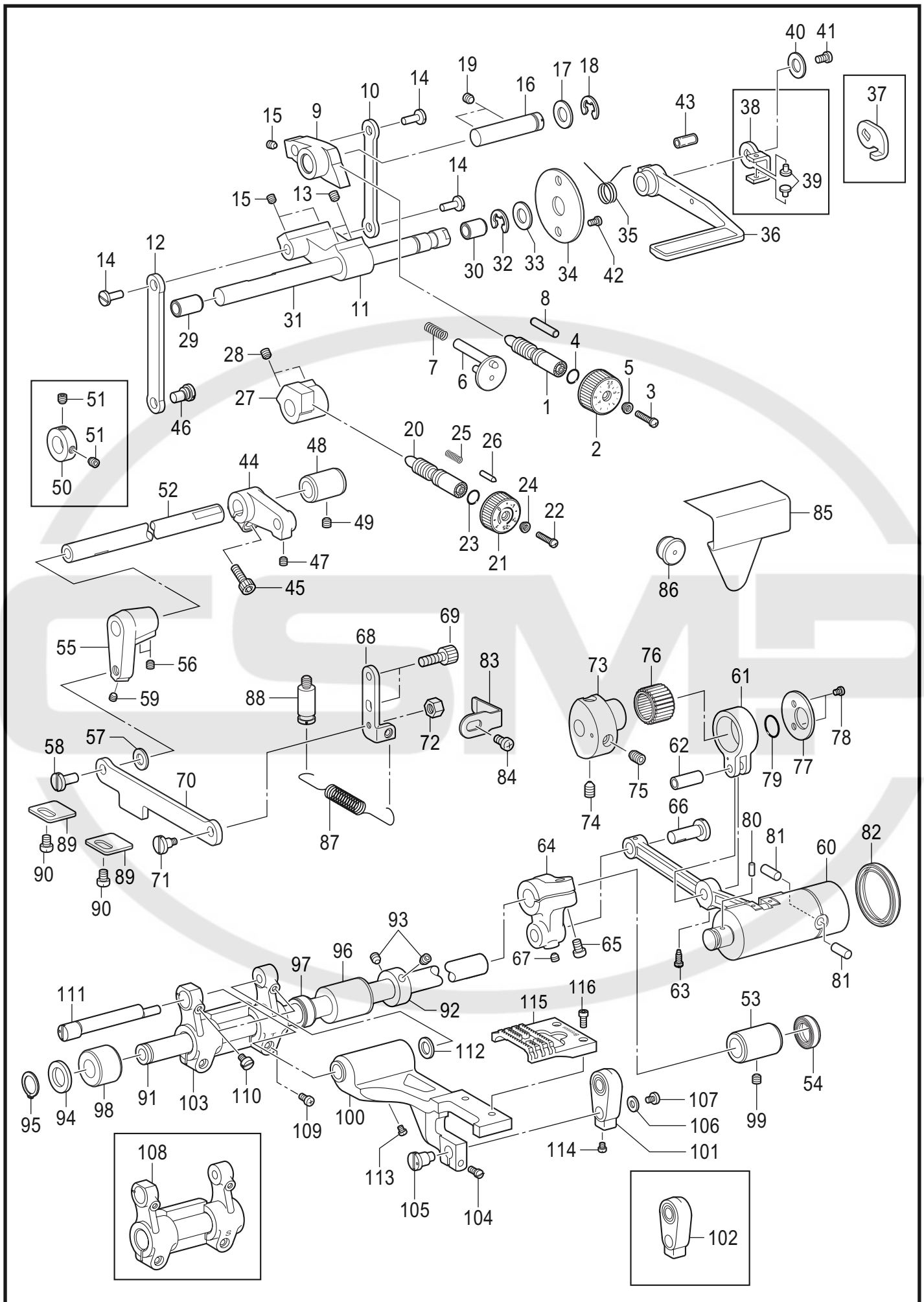


## E. 送り関係 / Feed mechanism

| REF.NO | CODE      | Q'TY | 品名                       | NAME OF PARTS                            | RM |
|--------|-----------|------|--------------------------|--|----|
| 56     | 012060536 | 2    | アナヒラ6X5                  | SET SCREW, SOCKET (FT) M6X5              |    |
| 57     | SA4932001 | 1    | ザガネ                      | WASHER                                   |    |
| 58     | 151308102 | 1    | レンカンジク12.5               | STUD, 12.5                               |    |
| 59     | 012500536 | 1    | アナヒラ5X5                  | SET SCREW SOCKET (FT) M5X5               |    |
| 60     | SA4974001 | 1    | キリカエキソウクミ                | FEED REGULATOR UNIT                      |    |
| 61     | SA4980001 | 1    | オクリクドウレンカン               | F-DRIVING CONNECTING ROD                 |    |
| 62     | 110562001 | 1    | ジク                       | SHAFT                                    |    |
| 63     | SA4981001 | 1    | シメネジ3.5                  | SCREW, SM3.5                             |    |
| 64     | SA4982001 | 1    | スイヘイオクリウデ                | FEED ROCKER ARM                          |    |
| 65     | 062061616 | 1    | ナベコ6X16                  | SCREW PAN M6X16                          |    |
| 66     | S53825001 | 1    | ジク7.24                   | SHAFT, 7.24                              |    |
| 67     | 012500536 | 1    | アナヒラ5X5                  | SET SCREW SOCKET (FT) M5X5               |    |
| 68     | SA4983001 | 1    | キリカエキウデ                  | FEED REGULATOR LEVER                     |    |
| 69     | 018501032 | 2    | アナボルト5X10                | BOLT SOCKET M5X10                        |    |
| 70     | SA4984001 | 1    | キリカエキレンカン                | F-REGULATOR CONNECTING ROD               |    |
| 71     | SA4985001 | 1    | ダンネジ5                    | SHOULDER SCREW, M5                       |    |
| 72     | 021500312 | 1    | 3シュナット5                  | NUT 3 M5                                 |    |
| 73     | SA4987001 | 1    | スイヘイヘンシンリン               | LEVEL FEED ECCENTRIC WHEEL               |    |
| 74     | S25240001 | 1    | アナトガリ6X10ホソメ             | SET SCREW SOCKET (CN) M6X10              |    |
| 75     | S25236001 | 1    | アナヒラ6X10ホソメ              | SET SCREW SOCKET (FT) M6X10              |    |
| 76     | SA4988001 | 1    | ニードルジクウケ20               | ROLLER BEARING, RADIAL 20                |    |
| 77     | SA4989001 | 1    | レンカンオサエ                  | HOLDER                                   |    |
| 78     | 062350616 | 2    | ナベコ35X6                  | SCREW PAN M3.5X6                         |    |
| 79     | 081009070 | 1    | OリングP9                   | O RING P9                                |    |
| 80     | SA4990001 | 1    | フェルト                     | FELT                                     |    |
| 81     | 148743001 | 2    | フェルト                     | FELT                                     |    |
| 82     | SA4991001 | 1    | オイルシール                   | OIL SEAL                                 |    |
| 83     | SA4992001 | 1    | キリカエキトメ                  | F-REGULATOR STOPPER                      |    |
| 84     | 062060816 | 1    | ナベコ6X8                   | SCREW PAN M6X8                           |    |
| 85     | SA2377001 | 1    | ゴムセンラベル                  | RUBBER CAP LABEL                         |    |
| 86     | S34352101 | 1    | ゴムセン13.5                 | RUBBER CAP, 13.5                         |    |
| 87     | SA4993101 | 1    | キリカエキバナ                  | EXTENSION SPRING                         |    |
| 88     | SA4994001 | 1    | バネカケ                     | SPRING HOOK                              |    |
| 89     | SA4995001 | 2    | オクリチヨウセツストツパ             | FEED ADJUSTING STOPPER                   |    |
| 90     | 062061016 | 2    | ナベコ6X10                  | SCREW PAN M6X10                          |    |
| 91     | SA4996001 | 1    | スイヘイオクリジク                | FEED ROCKER SHAFT                        |    |
| 92     | SA4997001 | 1    | セツトカラ                    | SET SCREW COLLAR                         |    |
| 93     | S23651001 | 2    | アナヒラ6X6ホソメ               | SET SCREW SOCKET (FT) M6X6               |    |
| 94     | 142628001 | 1    | スイヘイオクリクランクリング           | SPACER                                   |    |
| 95     | 048110142 | 1    | トメワジクヨウC11               | RETAINING RING EXTERNAL C11              |    |
| 96     | SA4998001 | 1    | スイヘイオクリジクメタルM            | BUSH, M                                  |    |
| 97     | SA4999001 | 1    | オイルシール                   | OIL SEAL                                 |    |
| 98     | SA5001001 | 1    | スイヘイオクリジクメタルL            | BUSH, L                                  |    |
| 99     | 012060536 | 1    | アナヒラ6X5                  | SET SCREW, SOCKET (FT) M6X5              |    |
| 100    | SA5003001 | 1    | オクリダイクミ                  | FEED BAR ASSY                            |    |
| 101    | SA5016001 | 1    | <8560A用><br>ジヨウゲオクリリンククミ | <For "8560A"><br>FEED LIFTING LINK ASSY  |    |
| 102    | SA5010001 | 1    | <8550A用><br>ジヨウゲオクリリンククミ | <For "8550A"><br>FEED LIFTING LINK ASSY  |    |
| 103    | SA5015001 | 1    | <8560A用><br>スイヘイオクリダイウデ  | <For "8560A"><br>FEED ROCKER BRACKET ARM |    |
| 104    | S23849001 | 1    | シメネジ4X16                 | SCREW M4X16                              |    |
| 105    | SA5006001 | 1    | ジヨウゲヘンシンピン               | PIN                                      |    |
| 106    | 105161004 | 1    | ザガネ                      | WASHER, PLAIN                            |    |
| 107    | 062300616 | 1    | ナベコ3X6                   | SCREW PAN M3X6                           |    |
| 108    | SA5008001 | 1    | <8550A用><br>スイヘイオクリダイウデ  | <For "8550A"><br>FEED ROCKER BRACKET ARM |    |
| 109    | S23616101 | 2    | シメネジ4X10                 | SCREW, M4X10                             |    |

Z-8550A/8560A-202

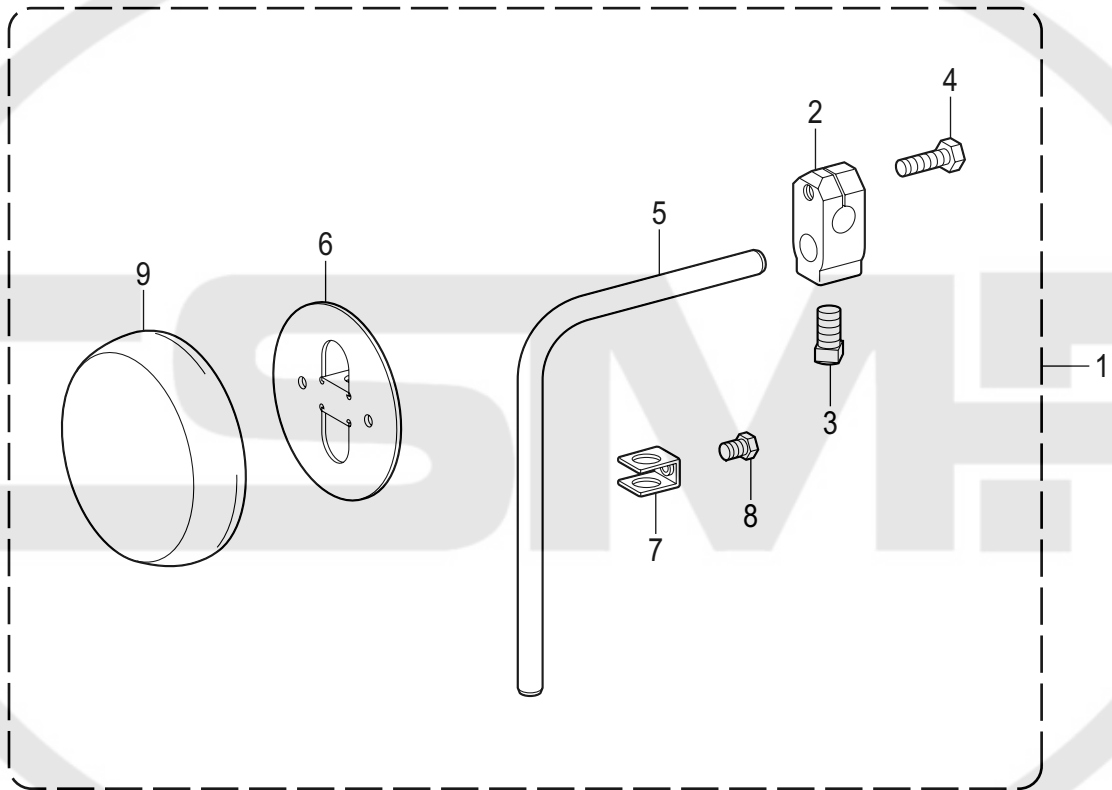
E. 送り関係 / Feed mechanism



## E. 送り関係 / Feed mechanism

| REF.NO | CODE      | Q'TY | 品名          | NAME OF PARTS            | RM |
|--------|-----------|------|-------------|--------------------------|----|
| 110    | SA1242001 | 2    | アタマトメクボミ5X7 | SET SCREW 5X7            |    |
| 111    | SA5009001 | 1    | スイヘイオクリダイジク | F-ROCKER BASE SHAFT      |    |
| 112    | S48140001 | 1    | ザガネ         | WASHER                   |    |
| 113    | 062300416 | 1    | ナベコ3X4      | SCREW PAN M3X4           |    |
| 114    | 062300416 | 1    | ナベコ3X4      | SCREW PAN M3X4           |    |
| 115    | S58908001 | 1    | オクリバ        | FEED DOG                 |    |
| 116    | S07494001 | 2    | シメネジ3.18    | SCREW, W/SOCKET SM3.18X7 |    |

Z-8550A/8560A-202

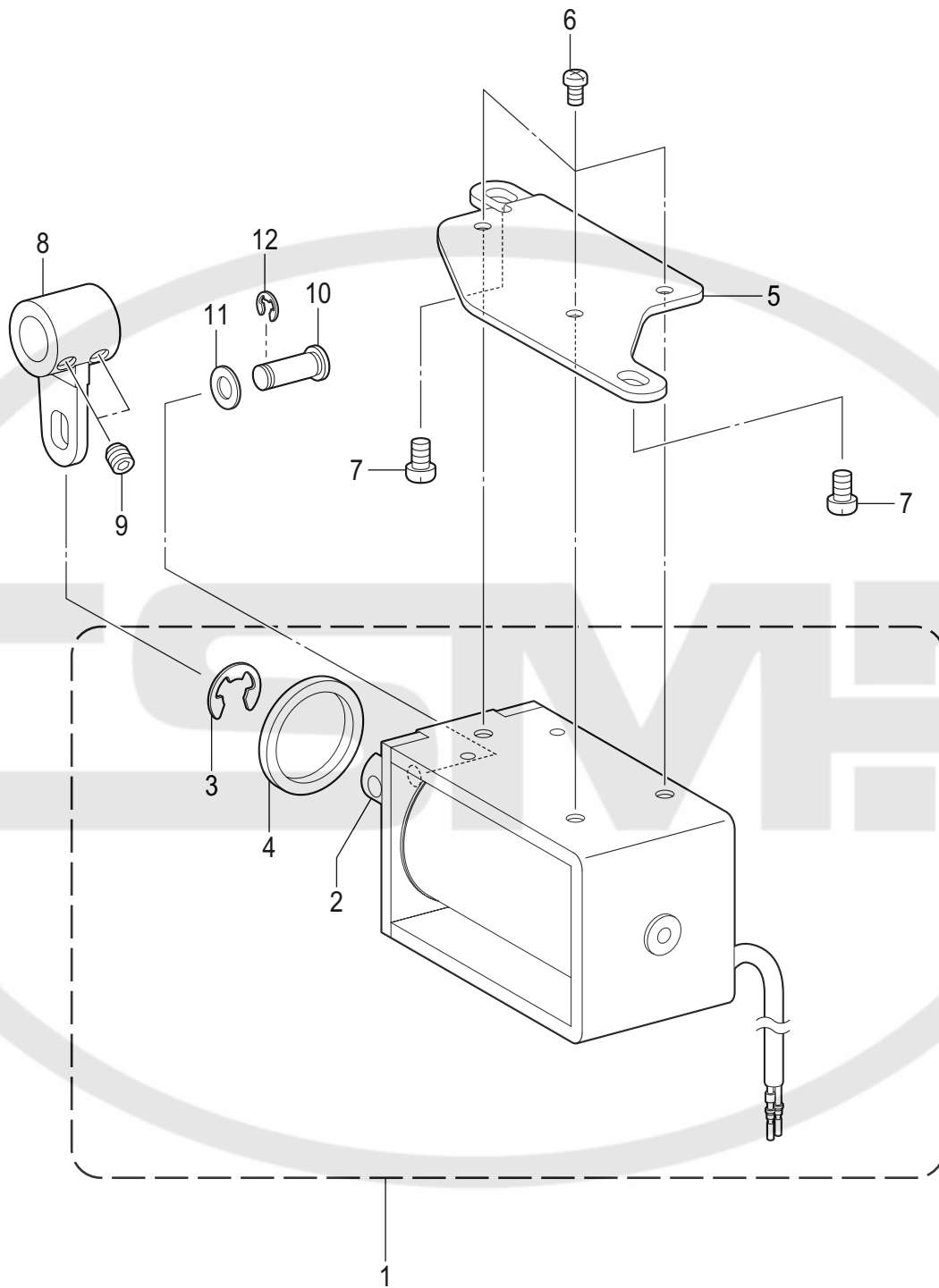


## F. 膝上げ関係 / Knee lifter mechanism

| REF.NO | CODE      | Q'TY | 品名         | NAME OF PARTS             | RM |
|--------|-----------|------|------------|---------------------------|----|
| 1      | S35821021 | 1    | ヒザアテクミ     | KNEE LIFTER ASSY          |    |
| 2      | 146039021 | 1    | ヒザアテツギテ    | KNEE LIFTER BRACKET       |    |
| 3      | 100463021 | 1    | 4カクボルト7.94 | BOLT, SQUARE SM7.94       |    |
| 4      | S35820021 | 1    | ボルト5.95X20 | BOLT, SM5.95X20           |    |
| 5      | 104619022 | 1    | ヒザアゲタテジク   | KNEE LIFTER BAR           |    |
| 6      | S34756021 | 1    | ヒザアテ       | KNEE LIFTER PLATE         |    |
| 7      | 114967021 | 1    | ヒザアテストップパ  | KNEE LIFTER PLATE STOPPER |    |
| 8      | 110087021 | 1    | ボルト5.95    | BOLT, SM5.95-28X8         |    |
| 9      | S31885001 | 1    | ヒザアテカバー    | KNEE LIFTER PLATE COVER   |    |

Z-8550A/8560A-203

G . 逆転関係 / Quick reverse mechanism



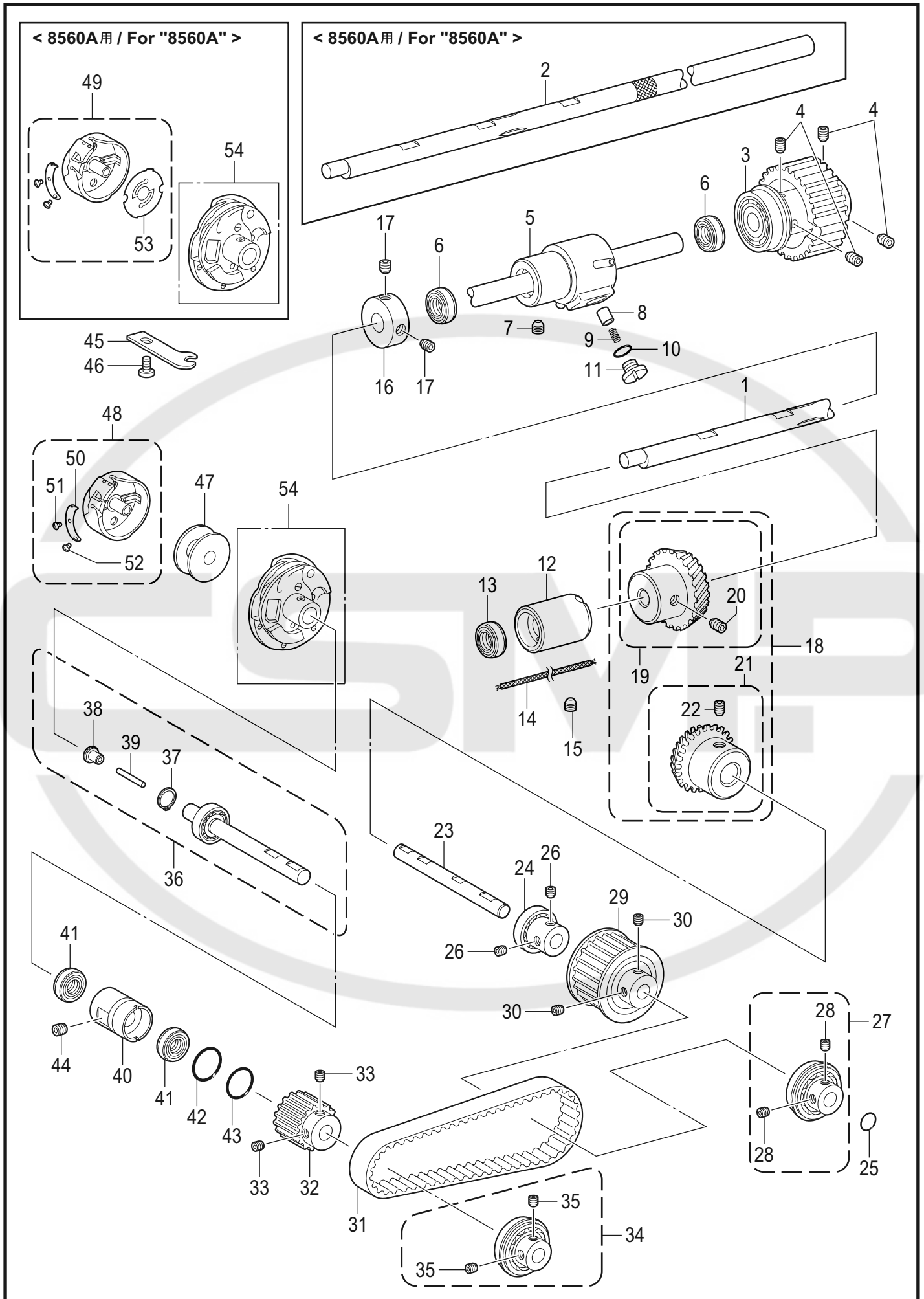


## G. 逆転関係 / Quick reverse mechanism

| REF.NO | CODE      | Q'TY | 品名                  | NAME OF PARTS               | RM |
|--------|-----------|------|---------------------|-----------------------------|----|
|        |           |      | <8550A-A31, 8560A用> | <For "8550A-A31 & 8560A">   |    |
| 1      | SA1399201 | 1    | ギヤクテンソレノイドクミ        | QUICK REVERSE SOLENOID ASSY |    |
| 2      | 154729001 | 1    | プランジャ               | PLUNGER                     |    |
| 3      | 154730001 | 1    | トメワE15              | RETAINING RING E15          |    |
| 4      | 154731000 | 1    | ゴムストツパー             | RUBBER STOPPER              |    |
| 5      | SA5018001 | 1    | ソレノイドダイ             | SOLENOID BASE               |    |
| 6      | 062500816 | 3    | ナベコ5X8              | SCREW PAN M5X8              |    |
| 7      | 062061016 | 2    | ナベコ6X10             | SCREW PAN M6X10             |    |
| 8      | SA5019001 | 1    | ソレノイドレバー            | SOLENOID LEVER              |    |
| 9      | S23651001 | 2    | アナヒラ6X6ホソメ          | SET SCREW SOCKET (FT) M6X6  |    |
| 10     | SA2992001 | 1    | レンケツピン              | PIN                         |    |
| 11     | 153138001 | 1    | ザガネ                 | WASHER, PLAIN 6.5           |    |
| 12     | 048060142 | 1    | トメワジクヨウC6           | RETAINING RING EXTERNAL C6  |    |

Z-8550A/8560A-205

H1 . かま関係 / Rotary hook mechanism

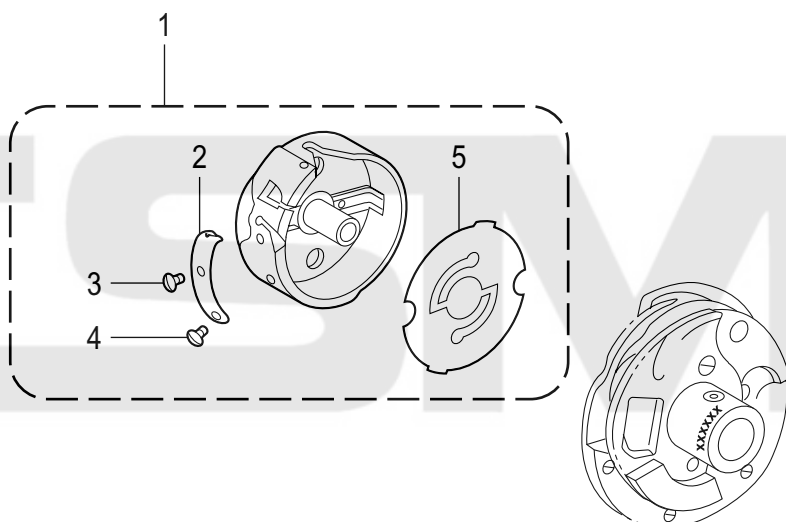


H1. かま関係 / Rotary hook mechanism

| REF.NO | CODE      | Q'TY | 品名                    | NAME OF PARTS                     | RM |
|--------|-----------|------|-----------------------|-----------------------------------|----|
| 1      | SA5021001 | 1    | <8550A用><br>シタジク      | <For "8550A"><br>LOWER SHAFT      |    |
| 2      | SA5020001 | 1    | <8560A用><br>シタジク      | <For "8560A"><br>LOWER SHAFT      |    |
| 3      | SA5022001 | 1    | タイミングプーリDクミ           | TIMING PULLEY ASSY,D              |    |
| 4      | S23651001 | 4    | アナヒラ6X6ホソメ            | SET SCREW SOCKET (FT) M6X6        |    |
| 5      | SA5007001 | 1    | シタジクメタルMクミ            | LOWER SHAFT BUSH M ASSY           |    |
| 6      | SA4971001 | 2    | オイルシール                | OIL SEAL                          |    |
| 7      | 012060536 | 1    | アナヒラ6X5               | SET SCREW, SOCKET (FT) M6X5       |    |
| 8      | 144875001 | 1    | プランジャー                | PLUNGER                           |    |
| 9      | S52764001 | 1    | プランジャーバネ              | SPRING, COMPRESSION               |    |
| 10     | 081008070 | 1    | OリングP8                | O RING P8                         |    |
| 11     | SA6367001 | 1    | ポンプフタネジ               | SCREW M8X7                        |    |
| 12     | SA5027001 | 1    | シタジクメタルF              | LOWER SHAFT BUSH,F                |    |
| 13     | SA4971001 | 1    | オイルシール                | OIL SEAL                          |    |
| 14     | SA5028001 | 1    | クミヒモ                  | WICK                              |    |
| 15     | 012060536 | 1    | アナヒラ6X5               | SET SCREW, SOCKET (FT) M6X5       |    |
| 16     | SA5029001 | 1    | シタジクセットカラー            | SET SCREW COLLAR                  |    |
| 17     | S23651001 | 2    | アナヒラ6X6ホソメ            | SET SCREW SOCKET (FT) M6X6        |    |
| 18     | SA5030001 | 1    | ベベルギヤZクミ              | BEVEL GEAR ASSY,Z                 |    |
| 19     | SA5031001 | 1    | シタジクベベルギヤZクミ          | BEVEL GEAR ASSY,Z-LOWER           |    |
| 20     | 014770632 | 2    | アナクボミ635-40X6         | SET SCREW SOCKET SM6.35-40X6      |    |
| 21     | 183307001 | 1    | シタジクベベルギヤクミ           | BEVEL GEAR ASSY, L-SHAFT          |    |
| 22     | 014770632 | 2    | アナクボミ635-40X6         | SET SCREW SOCKET SM6.35-40X6      |    |
| 23     | SA5033001 | 1    | カマドウジク                | ROTARY HOOK DRIVING SHAFT         |    |
| 24     | SA5034001 | 1    | ベアリングカラークミ            | BEARING COLLAR ASSY               |    |
| 25     | 081008870 | 1    | OリングS8                | O RING S8                         |    |
| 26     | 012500536 | 2    | アナヒラ5X5               | SET SCREW SOCKET (FT) M5X5        |    |
| 27     | SA5037001 | 1    | ベアリングカラークミ            | BEARING COLLAR ASSY               |    |
| 28     | 012500536 | 2    | アナヒラ5X5               | SET SCREW SOCKET (FT) M5X5        |    |
| 29     | SA5040001 | 1    | タイミングプーリ39クミ          | TIMING PULLEY ASSY,39             |    |
| 30     | 012500536 | 2    | アナヒラ5X5               | SET SCREW SOCKET (FT) M5X5        |    |
| 31     | SA5043001 | 1    | タイミングベルト              | TIMING BELT                       |    |
| 32     | SA5044001 | 1    | タイミングプーリ26            | TIMING PULLEY,26                  |    |
| 33     | 012500536 | 2    | アナヒラ5X5               | SET SCREW SOCKET (FT) M5X5        |    |
| 34     | SA5037001 | 1    | ベアリングカラークミ            | BEARING COLLAR ASSY               |    |
| 35     | 012500536 | 2    | アナヒラ5X5               | SET SCREW SOCKET (FT) M5X5        |    |
| 36     | SA5045101 | 1    | カマジククミ                | ROTARY HOOK SHAFT ASSY            |    |
| 37     | 048080142 | 1    | トメワジクヨウC8             | RETAINING RING EXTERNAL C8        |    |
| 38     | SA7148001 | 1    | オイルアナフタネジ             | SCREW, CAP W/HOLE M5-0.8          |    |
| 39     | SA7153001 | 1    | フェルト                  | FELT                              |    |
| 40     | SA5048101 | 1    | カマジクメタル               | ROTARY HOOK SHAFT BUSH            |    |
| 41     | SA5049101 | 2    | オイルシール                | OIL SEAL                          |    |
| 42     | 081015070 | 1    | OリングP15               | O RING P15                        |    |
| 43     | 081014670 | 1    | OリングPW14              | O RING PW14                       |    |
| 44     | 012060536 | 1    | アナヒラ6X5               | SET SCREW, SOCKET (FT) M6X5       |    |
| 45     | S48179001 | 1    | カマドメ                  | B-CASE HOLDER POSITION BRACKET    |    |
| 46     | 060670812 | 1    | バインド357-40X8          | SCREW BIND SM3.57-40X8            |    |
| 47     | SA5126001 | 1    | ボビン                   | BOBBIN                            |    |
| 48     | S48180101 | 1    | <8550A用><br>ボビンケースクミ  | <For "8550A"><br>BOBBIN CASE ASSY |    |
| 49     | S48202101 | 1    | <8560A用><br>ボビンケースクミ  | <For "8560A"><br>BOBBIN CASE ASSY |    |
| 50     | S09477001 | 1    | ボビンチヨウシバネ             | SPRING                            |    |
| 51     | 180721001 | 1    | チヨウシバネシメネジ            | SCREW                             |    |
| 52     | 183507001 | 1    | チヨウシネジ                | ADJUSTING SCREW                   |    |
| 53     | S48203001 | 1    | <8560A用><br>クウテンボウシバネ | <For "8560A"><br>ANTI-SPIN SPRING |    |
| 54     | SA6444001 | 1    | SA6445カマハコクミ          | ROTARY HOOK ASSY, W/BOX SA6445    |    |

Z-8550A/8560A-301

" オプション部品 / OPTION PARTS "

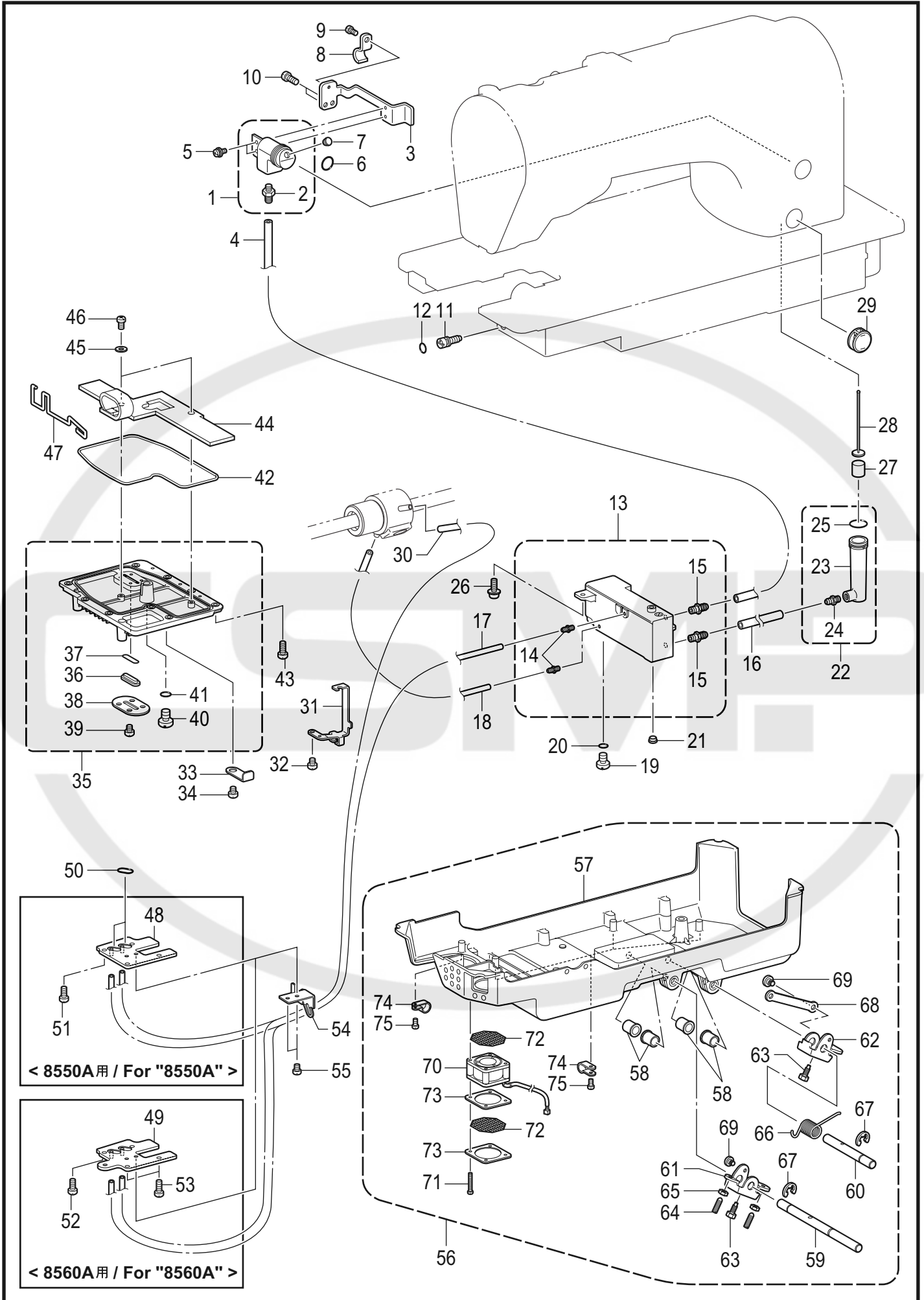


H2. かま関係 / Rotary hook mechanism

| REF.NO | CODE      | Q'TY | 品名         | NAME OF PARTS        | RM |
|--------|-----------|------|------------|----------------------|----|
|        |           |      | <オプション用>   | <OPTION PARTS>       |    |
| 1      | S48378101 | 1    | ボビンケース     | BOBBIN CASE ASSY, OP |    |
| 2      | S09477001 | 1    | ボビンチヨウシバネ  | SPRING               |    |
| 3      | 180721001 | 1    | チヨウシバネシメネジ | SCREW                |    |
| 4      | 183507001 | 1    | チヨウシネジ     | ADJUSTING SCREW      |    |
| 5      | S48203001 | 1    | クウテンボウシバネ  | ANTI-SPIN SPRING     |    |

Z-8550A/8560A-301

J. 給油潤滑關係 / Lubrication

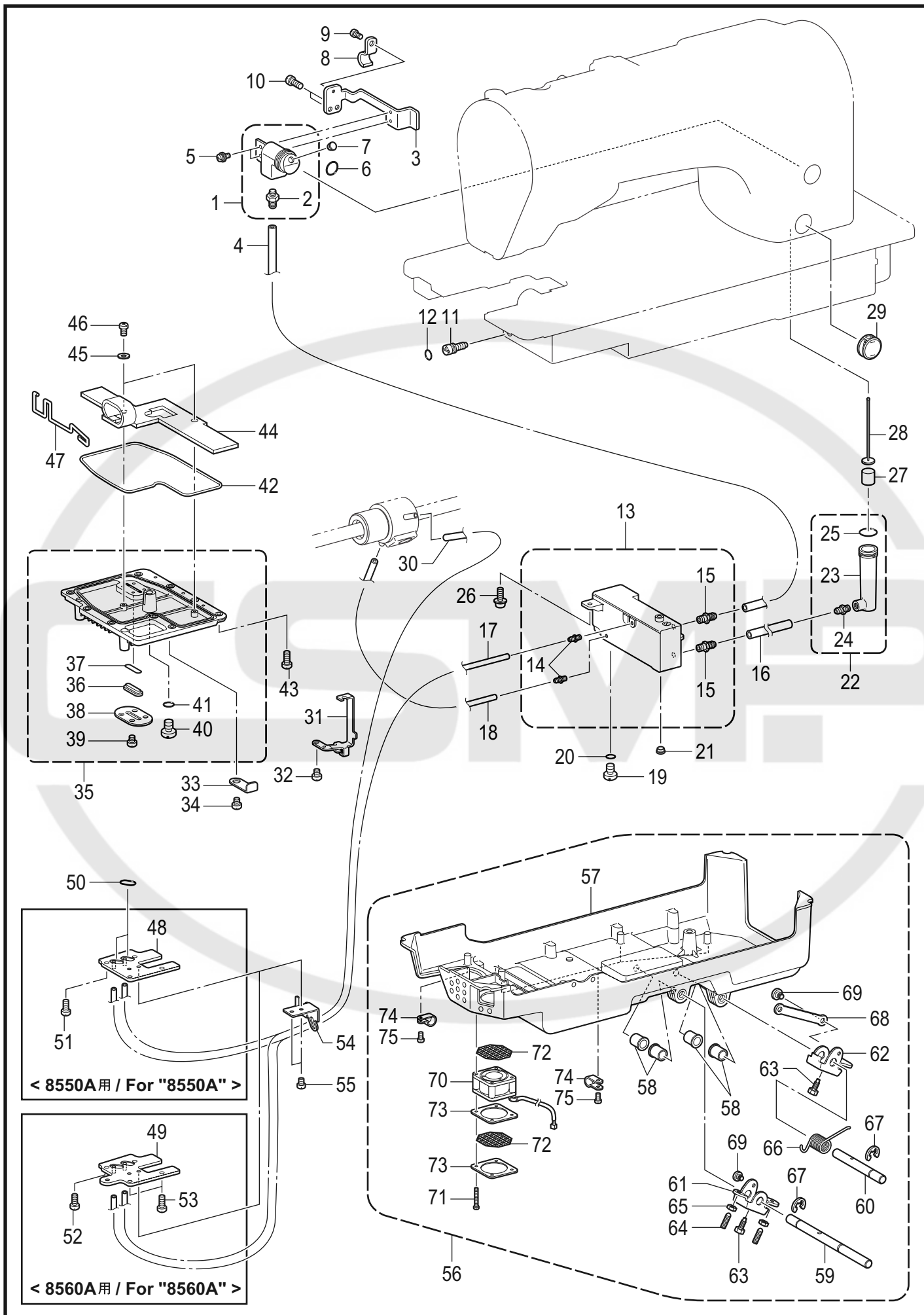


## J. 給油潤滑関係 / Lubrication

| REF.NO | CODE      | Q'TY | 品名                  | NAME OF PARTS                            | RM |
|--------|-----------|------|---------------------|--|----|
| 1      | SA4265001 | 1    | チュウユクチクミ            | OIL FEEDING ASSY                         |    |
| 2      | S51815001 | 1    | オイルクチ8.6            | OIL FEEDING PIPE, 8.6                    |    |
| 3      | SA5062001 | 1    | チュウユクチトリツケイタ        | OIL FEEDING SETTING PLATE                |    |
| 4      | SA5063001 | 1    | ビニルチューブ             | VINYL TUBE                               |    |
| 5      | 0A5400806 | 2    | +ナベザクミ4X8DB         | SCREW PAN (S/P WASHER) M4X8              |    |
| 6      | 081022870 | 1    | OリングS22             | O RING S22                               |    |
| 7      | 104450101 | 1    | ゴムセン8               | RUBBER CAP, 8                            |    |
| 8      | 140647101 | 1    | コードオサエ              | CORD HOLDER                              |    |
| 9      | 062400616 | 1    | ナベコ4X6              | SCREW PAN M4X6                           |    |
| 10     | 062501016 | 2    | ナベコ5X10             | SCREW PAN M5X10                          |    |
| 11     | SA5065101 | 1    | オイルチヨウセツネジ          | ADJSSTING SCREW                          |    |
| 12     | 081004870 | 1    | OリングS4              | O RING S4                                |    |
| 13     | SA5067001 | 1    | オイルタンククミ            | OIL TANK ASSY                            |    |
| 14     | S25382001 | 2    | オイルクチ               | OIL FEEDING PIPE                         |    |
| 15     | S51815001 | 2    | オイルクチ8.6            | OIL FEEDING PIPE, 8.6                    |    |
| 16     | SA5070001 | 1    | オイルチューブ             | OIL TUBE,L=26                            |    |
| 17     | SA5073001 | 1    | <8550A用><br>ビニルチューブ | <For "8550A"><br>OIL TUBE,L=340          |    |
| 17     | SA5071001 | 1    | <8560A用><br>オイルチューブ | <For "8560A"><br>OIL TUBE,L=365          |    |
| 18     | SA5072001 | 1    | オイルチューブ             | OIL TUBE,L=120                           |    |
| 19     | SA1303001 | 1    | シメネジ8               | SCREW M8                                 |    |
| 20     | 081008070 | 1    | OリングP8              | O RING P8                                |    |
| 21     | 104450101 | 1    | ゴムセン8               | RUBBER CAP, 8                            |    |
| 22     | SA1306001 | 1    | サブタンククミ             | SUB TANK ASSY                            |    |
| 23     | SA1307001 | 1    | サブタンク               | SUB TANK                                 |    |
| 24     | S51815001 | 1    | オイルクチ8.6            | OIL FEEDING PIPE, 8.6                    |    |
| 25     | 081022870 | 1    | OリングS22             | O RING S22                               |    |
| 26     | 0A4501206 | 2    | +ナベザクミ5X12DA        | SCREW PAN (S/P WASHER) M5X12             |    |
| 27     | S47487001 | 1    | オイルゲージウキ            | FLOAT                                    |    |
| 28     | SA1309001 | 1    | オイルゲージ              | OIL GAGE                                 |    |
| 29     | S47509001 | 1    | ユリヨウケイマド            | OIL GAUGE WINDOW                         |    |
| 30     | SA5071001 | 1    | オイルチューブ             | OIL TUBE,L=365                           |    |
| 31     | SA6094001 | 1    | チューブオサエイタA          | PRESSER PLATE A                          |    |
| 32     | 062500616 | 1    | ナベコ5X6              | SCREW PAN M5X6                           |    |
| 33     | SA6095001 | 1    | チューブオサエイタB          | PRESSER PLATE B                          |    |
| 34     | 062500616 | 1    | ナベコ5X6              | SCREW PAN M5X6                           |    |
| 35     | SA5076001 | 1    | ベッドソコフタクミ           | BED BOTTOM COVER ASSY                    |    |
| 36     | S51272100 | 1    | ソコフタマド              | OIL WINDOW, B-COVER                      |    |
| 37     | 081015870 | 1    | OリングS15             | O RING S15                               |    |
| 38     | SA1313101 | 1    | マドフタ                | WINDOW COVER                             |    |
| 39     | 062500616 | 4    | ナベコ5X6              | SCREW PAN M5X6                           |    |
| 40     | SA1303001 | 2    | シメネジ8               | SCREW M8                                 |    |
| 41     | 081008070 | 2    | OリングP8              | O RING P8                                |    |
| 42     | SA5078001 | 1    | ソコフタパツキン            | BOTTOM COVER PACKING                     |    |
| 43     | 062501216 | 9    | ナベコ5X12             | SCREW PAN M5X12                          |    |
| 44     | SA5079001 | 1    | ソコフタフェルト            | BOTTOM COVER FELT                        |    |
| 45     | 025040332 | 2    | ヒラザガネダイ4            | WASHER PLAIN L 4                         |    |
| 46     | 062400616 | 2    | ナベコ4X6              | SCREW PAN M4X6                           |    |
| 47     | SA6165001 | 1    | クミヒモオサエ             | WICK SUPPORT                             |    |
| 48     | SA5051101 | 1    | <8550A用><br>カマジクカバー | <For "8550A"><br>ROTARY HOOK SHAFT COVER |    |
| 49     | SA6023101 | 1    | <8560A用><br>カマジクカバー | <For "8560A"><br>ROTARY HOOK SHAFT COVER |    |
| 50     | 081011870 | 2    | Oリング S11.2          | O RING S11.2                             |    |

Z-8550A/8560A-350

J. 給油潤滑關係 / Lubrication



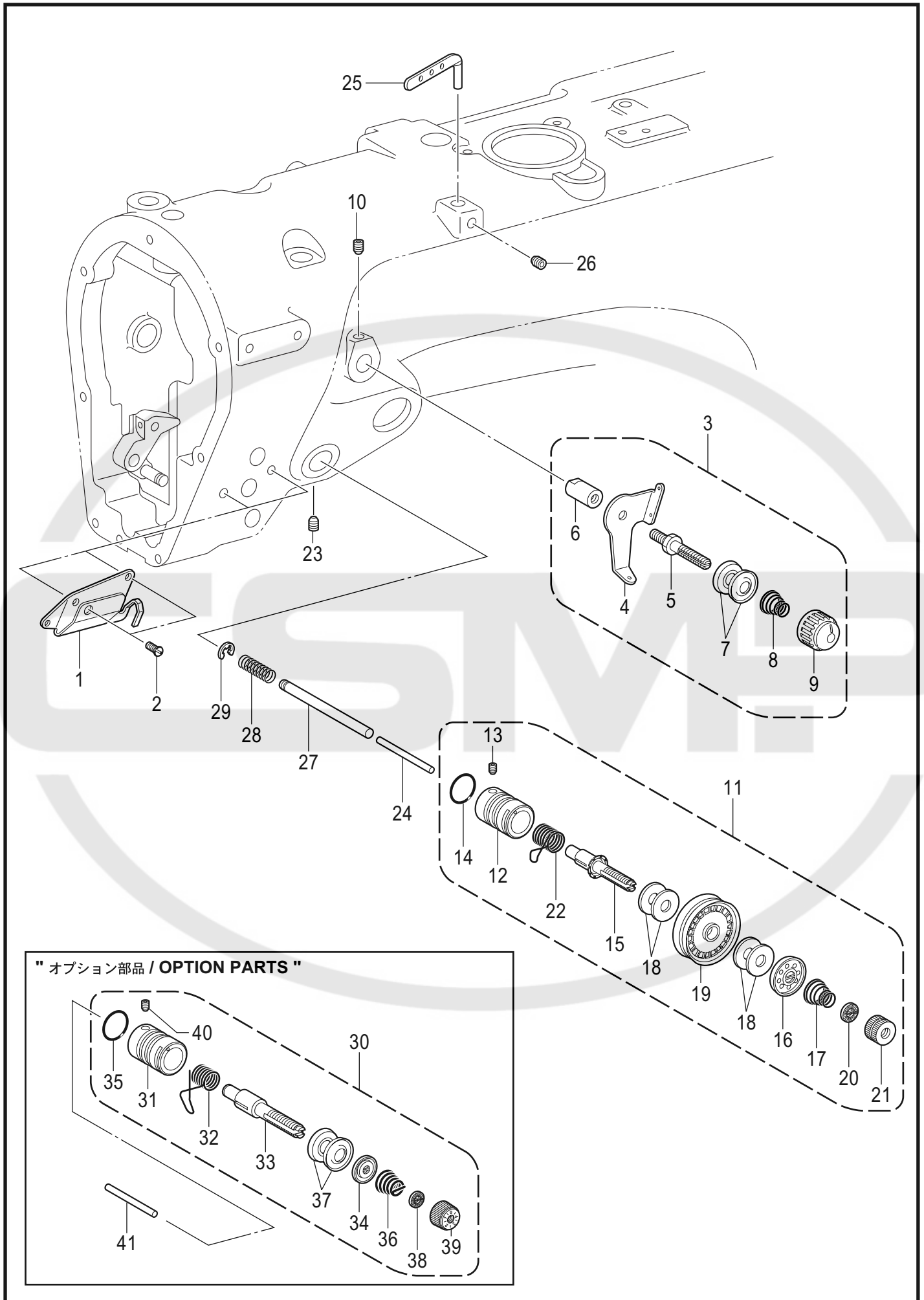


## J. 給油潤滑関係 / Lubrication

| REF.NO | CODE      | Q'TY | 品名                  | NAME OF PARTS                    | RM |
|--------|-----------|------|---------------------|----------------------------------|----|
| 51     | 062501016 | 4    | <8550A用><br>ナベコ5X10 | <For "8550A"><br>SCREW PAN M5X10 |    |
| 52     | 062501016 | 2    | <8560A用><br>ナベコ5X10 | <For "8560A"><br>SCREW PAN M5X10 |    |
| 53     | 062501216 | 2    | ナベコ5X12             | SCREW PAN M5X12                  |    |
| 54     | SA6646001 | 1    | チューブホルダ             | TUBE HOLDER                      |    |
| 55     | 062500616 | 2    | ナベコ5X6              | SCREW PAN M5X6                   |    |
| 56     | SA5080001 | 1    | オイルパンクミ             | OIL PAN ASSY                     |    |
| 57     | SA5081001 | 1    | オイルパン               | OIL PAN                          |    |
| 58     | 149578000 | 4    | ヨコジクブツシュ            | BUSH                             |    |
| 59     | SA5082001 | 1    | ヒザアゲヨコジクL           | KNEE LIFTER SHAFT,L              |    |
| 60     | SA1324001 | 1    | ヒザアゲヨコジクR           | KNEE LIFTER SHAFT R              |    |
| 61     | SA1325001 | 1    | ヒザアゲ                | KNEE LIFTER                      |    |
| 62     | SA1326101 | 1    | ヒザアゲR               | KNEE LIFTER, R                   |    |
| 63     | S25344001 | 2    | ボルト6                | BOLT M6                          |    |
| 64     | S25475101 | 2    | トメネジ6               | SET SCREW, M6X19                 |    |
| 65     | 021060306 | 2    | 3シュナット6             | NUT 3 M6                         |    |
| 66     | SA3508001 | 1    | ヒザアゲネジリバネ           | TWIST SPRING                     |    |
| 67     | 146293001 | 3    | トメワE10              | RETAINING RING, E10              |    |
| 68     | SA5083001 | 1    | ヒザアゲレンケツカン          | KNEE LIFTER CONNECTING ROD       |    |
| 69     | SA1179001 | 2    | ダンネジ5               | SHOULDER SCREW, M5               |    |
| 70     | SA6643001 | 1    | ファンモータ              | FAN MOTOR                        |    |
| 71     | 002304005 | 4    | +ナベコ3X40            | SCREW PAN M3X40                  |    |
| 72     | SA6644001 | 2    | フィルタ                | FILTER                           |    |
| 73     | SA6645001 | 2    | ファンカバー              | FAN COVER                        |    |
| 74     | 625010000 | 4    | ナイロンクランプNK-2N       | NYLON CLAMP NK-2N                |    |
| 75     | 062400816 | 4    | ナベコ4X8              | SCREW PAN M4X8                   |    |

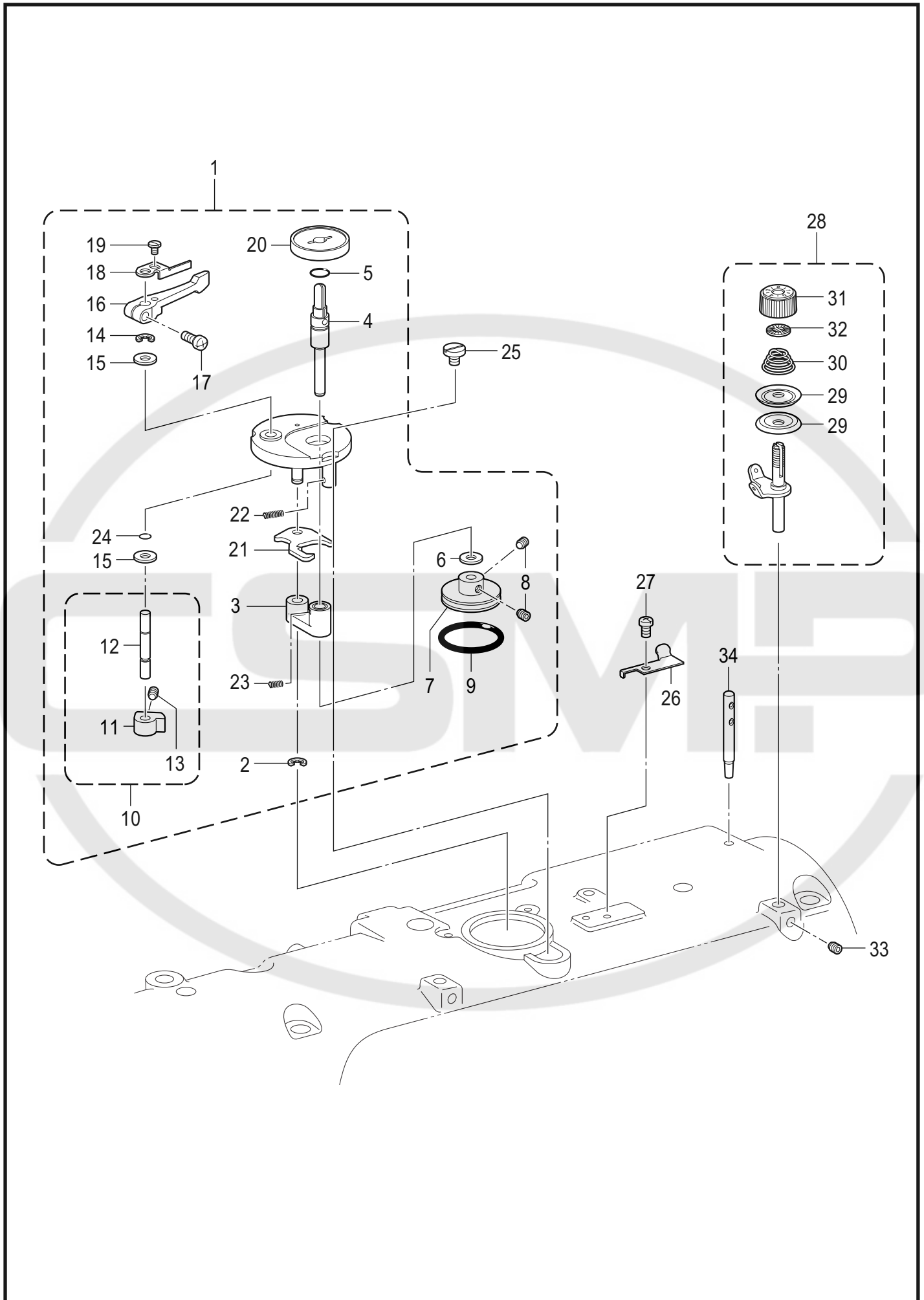
Z-8550A/8560A-350

K. 糸通し関係 / Threading mechanism



K. 糸通し関係 / Threading mechanism

| REF.NO | CODE      | Q'TY | 品名                   | NAME OF PARTS                         | RM |
|--------|-----------|------|----------------------|---------------------------------------|----|
| 1      | SA5084001 | 1    | イトアンナイ               | THREAD GUIDE                          |    |
| 2      | SA5124001 | 2    | サラネジ4                | SCREW, FLAT M4                        |    |
| 3      | SA5085101 | 1    | プレテンションクミ            | PRE-TENSION ASSY                      |    |
| 4      | SA5086001 | 1    | イトアンナイ               | THREAD GUIDE                          |    |
| 5      | S45563001 | 1    | イトアンナイチヨウシボウ         | THREAD GUIDE TENSION STUD             |    |
| 6      | SA2363001 | 1    | プレテンションダイ            | PRE-TENSION BASE                      |    |
| 7      | 144504001 | 2    | イトアンナイサラ             | THREAD GUIDE DISC                     |    |
| 8      | SA2358101 | 1    | プレテンションバネB           | PRE-TENSION SPRING B                  |    |
| 9      | SA6167001 | 1    | イトチヨウシナット            | THREAD TENSION NUT                    |    |
| 10     | 012500536 | 1    | アナヒラ5X5              | SET SCREW SOCKET (FT) M5X5            |    |
| 11     | SA5088101 | 1    | イトチヨウシボウダイクミ         | THREAD TENSION BRACKET ASSY           |    |
| 12     | S50390101 | 1    | イトチヨウシボウダイ           | TENSION STUD BRACKET                  |    |
| 13     | 100402004 | 1    | トメネジ3.57             | SET SCREW, SM3.57                     |    |
| 14     | 081014870 | 1    | OリングS14              | O RING S14                            |    |
| 15     | S48086001 | 1    | イトチヨウシボウ             | TENSION STUD                          |    |
| 16     | S48087001 | 1    | イトチヨウシサラオサエ          | TENSION DISC PRESSE                   |    |
| 17     | S48088101 | 1    | イトチヨウシバネ             | SPRING TENSION                        |    |
| 18     | S48089000 | 4    | イトチヨウシサラフェルト         | TENSION DISC FELT                     |    |
| 19     | S48090001 | 1    | ロータリーサラ              | ROTARY DISC                           |    |
| 20     | 151148001 | 1    | MLマワリドメ              | STOPPER, ML                           |    |
| 21     | S48370001 | 1    | イトチヨウシナット            | TENSION NUT                           |    |
| 22     | SA5089001 | 1    | イトトリバネ               | THREAD TAKE-UP SPRING                 |    |
| 23     | SA1229101 | 1    | アナトメネジ6トガリ           | SET SCREW (FT) M6X6                   |    |
| 24     | 152873001 | 1    | イトユルメピン              | TENSION RELEASE PIN                   |    |
| 25     | SA2636001 | 1    | ミツメイトカケ              | THREAD RETAINER                       |    |
| 26     | 012500536 | 1    | アナヒラ5X5              | SET SCREW SOCKET (FT) M5X5            |    |
| 27     | SA5090001 | 1    | イトユルメボウ              | TENSION RELEASE STUD                  |    |
| 28     | S29132001 | 1    | マイクロチヨウセツバネ          | SPRING, MICRO ADJUSTING               |    |
| 29     | 048040342 | 1    | トメワE4                | RETAINING RING E4                     |    |
| 30     | SA7439001 | 1    | <オプション用><br>イトチヨウシクミ | <OPTION PARTS><br>THREAD TENSION ASSY |    |
| 31     | S50390101 | 1    | イトチヨウシボウダイ           | THREAD TENSION BRACKET                |    |
| 32     | S02620201 | 1    | イトトリバネ               | THREAD TAKE-UP SPRING                 |    |
| 33     | 116922001 | 1    | イトチヨウシボウ             | TENSION STUD                          |    |
| 34     | 159805001 | 1    | イトチヨウシサラオサエ          | TENSION DISC PRESSER                  |    |
| 35     | 081014870 | 1    | OリングS14              | O RING S14                            |    |
| 36     | 104525101 | 1    | イトチヨウシバネ             | TENSION SPRING                        |    |
| 37     | 145446001 | 2    | イトチヨウシサラ             | DISC, TENSION                         |    |
| 38     | S12441001 | 1    | チヨウシバネウエザガネ          | WASHER                                |    |
| 39     | S31032001 | 1    | イトチヨウシナット            | TENSION NUT                           |    |
| 40     | 100402004 | 1    | トメネジ3.57             | SET SCREW, SM3.57                     |    |
| 41     | SA7440001 | 1    | イトユルメピン              | TENSION RELEASE PIN                   |    |

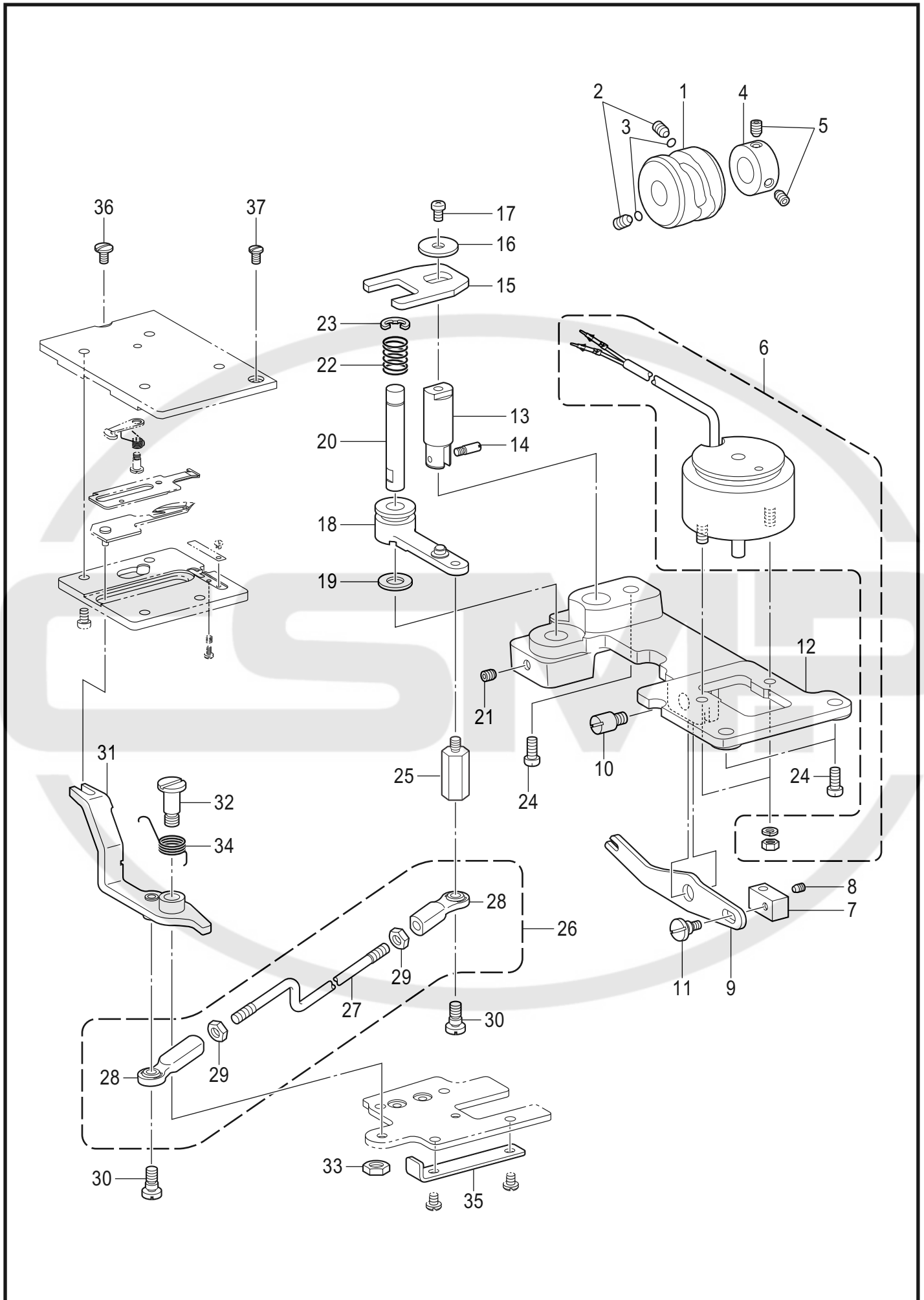


## L. 糸巻関係 / Bobbin winder mechanism

| REF.NO | CODE      | Q'TY | 品名          | NAME OF PARTS               | RM |
|--------|-----------|------|-------------|-----------------------------|----|
| 1      | SA1971101 | 1    | イトマキユニット    | BOBBIN WINDER UNIT          |    |
| 2      | 048040342 | 1    | トメワE4       | RETAINING RING E4           |    |
| 3      | SA1975001 | 1    | イトマキジクウケクミ  | B-WINDER SHAFT SUPPORT ASSY |    |
| 4      | SA1978001 | 1    | イトマキジク      | BOBBIN WINDER SHAFT         |    |
| 5      | 081009070 | 1    | OリングP9      | O RING P9                   |    |
| 6      | 025060136 | 1    | ヒラザガネシヨウ6   | WASHER PLAIN S 6            |    |
| 7      | SA1980001 | 1    | イトマキクルマ     | BOBBIN WINDER WHEEL         |    |
| 8      | 012500536 | 2    | アナヒラ5X5     | SET SCREW SOCKET (FT) M5X5  |    |
| 9      | S25789000 | 1    | ゴムワ29       | RUBBER RING, 29             |    |
| 10     | SA1981101 | 1    | ボビンオサエカムクミ  | BOBBIN PRESSER CAM ASSY     |    |
| 11     | SA1982101 | 1    | ボビンオサエカム    | BOBBIN PRESSER CAM          |    |
| 12     | SA1983001 | 1    | イトマキウデジク    | BOBBIN WINDER ARM SHAFT     |    |
| 13     | 012500536 | 1    | アナヒラ5X5     | SET SCREW SOCKET (FT) M5X5  |    |
| 14     | 048040342 | 1    | トメワE4       | RETAINING RING E4           |    |
| 15     | 025060136 | 2    | ヒラザガネシヨウ6   | WASHER PLAIN S 6            |    |
| 16     | SA1984001 | 1    | ボビンオサエウデ    | BOBBIN PRESSER ARM          |    |
| 17     | 062401216 | 1    | ナベコ4X12     | SCREW PAN M4X12             |    |
| 18     | SA1985001 | 1    | ボビンオサエ      | BOBBIN PRESSER              |    |
| 19     | S23418002 | 1    | シメネジ4X5     | SCREW M4X5                  |    |
| 20     | SA1988001 | 1    | ボビンウケ       | BOBBIN SUPPORT              |    |
| 21     | SA1989001 | 1    | イトマキレバー     | BOBBIN WINDER LEVER         |    |
| 22     | SA1990101 | 1    | モドシバネ       | SPRING                      |    |
| 23     | SA1991001 | 1    | イトマキダイバネ    | BOBBIN WINDER BASE SPRING   |    |
| 24     | SA2190001 | 1    | OリングSS5     | O RING, SS5                 |    |
| 25     | SA1992101 | 3    | イトマキコテイネジ   | BOBBIN WINDER FIXED SCREW   |    |
| 26     | SA1360101 | 1    | メス          | KNIFE                       |    |
| 27     | 062500616 | 1    | ナベコ5X6      | SCREW PAN M5X6              |    |
| 28     | SA5091001 | 1    | イトマキチョウシクミ  | BOBBIN WINDER TENSION ASSY  |    |
| 29     | 145446002 | 2    | イトチョウシサラ    | DISC, TENSION               |    |
| 30     | 115188101 | 1    | シュイトチョウシバネ  | TENSION SPRING              |    |
| 31     | S31032001 | 1    | イトチョウシナツト   | TENSION NUT                 |    |
| 32     | S12441001 | 1    | チョウシバネウエザガネ | WASHER                      |    |
| 33     | 012500536 | 1    | アナヒラ5X5     | SET SCREW SOCKET (FT) M5X5  |    |
| 34     | SA1359001 | 1    | イトタテボウ      | SPOOL PIN                   |    |

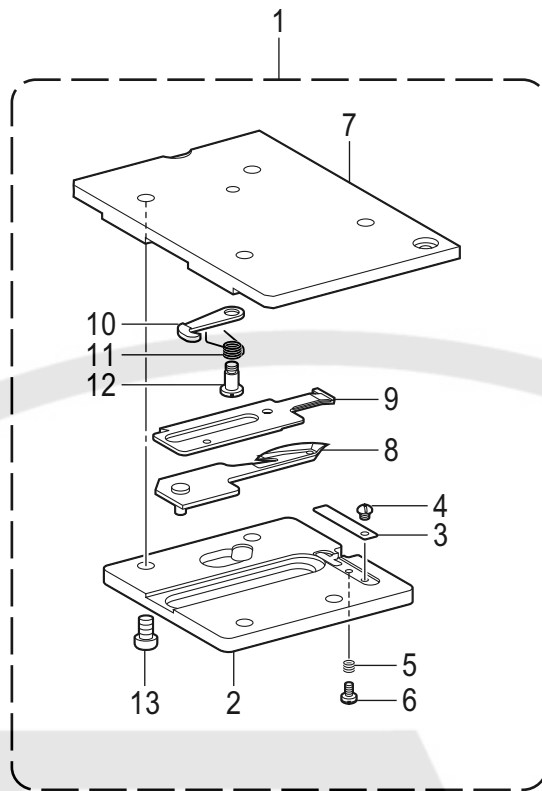
Z-8550A/8560A-402

M1 . 糸切り関係 / Thread trimmer mechanism

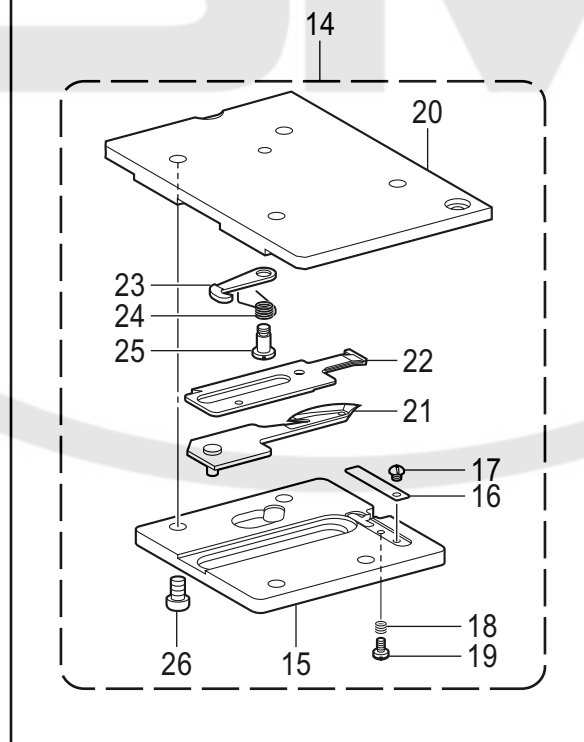


## M1. 糸切り関係 / Thread trimmer mechanism

| REF.NO | CODE      | Q'TY | 品名          | NAME OF PARTS                | RM |
|--------|-----------|------|-------------|------------------------------|----|
|        |           |      | <8560A用>    | <For "8560A">                |    |
| 1      | SA5092001 | 1    | イトキリカム      | THREAD TRIMMER CAM           |    |
| 2      | S23651001 | 2    | アナヒラ6X6ホソメ  | SET SCREW SOCKET (FT) M6X6   |    |
| 3      | SA2378001 | 2    | カンザ4.8      | SPACER,4.8                   |    |
| 4      | SA4968001 | 1    | セツトカラ       | SET SCREW COLLAR             |    |
| 5      | S23651001 | 2    | アナヒラ6X6ホソメ  | SET SCREW SOCKET (FT) M6X6   |    |
| 6      | SA2642001 | 1    | イトキリソレノイド   | THREAD TRIMMER SOLENOID      |    |
| 7      | SA2644001 | 1    | ソレノイドツギテ    | SOLENOID JOINT               |    |
| 8      | 012500536 | 1    | アナヒラ5X5     | SET SCREW SOCKET (FT) M5X5   |    |
| 9      | S48226001 | 1    | ソレノイドレバー    | SOLENOID LEVER               |    |
| 10     | SA2647001 | 1    | ソレノイドレバージク  | SOLENOID LEVER SHAFT         |    |
| 11     | SA4985001 | 1    | ダンネジ5       | SHOULDER SCREW, M5           |    |
| 12     | SA5094001 | 1    | シジドダイ       | SUPPORT BASE                 |    |
| 13     | SA6096001 | 1    | イトキリジク      | DRIVING ROD                  |    |
| 14     | 148546001 | 1    | プランジヤピン     | PLUNGER PIN                  |    |
| 15     | S48229001 | 1    | イトキリジクイタ    | T-TRIMMER DRIVING ROD PLATE  |    |
| 16     | 116662003 | 1    | ザガネ         | WASHER                       |    |
| 17     | 062501016 | 1    | ナベコ5X10     | SCREW PAN M5X10              |    |
| 18     | SA2659001 | 1    | シユレバークミ     | MAIN LEVER ASSY, KNIFE       |    |
| 19     | 148559100 | 1    | ゴム          | RUBBER                       |    |
| 20     | SA5095001 | 1    | シユレバークミ     | MAIN LEVER SHAFT             |    |
| 21     | 012060636 | 1    | アナヒラ6X6     | SET SCREW SOCKET (FT) M6X6   |    |
| 22     | S48230001 | 1    | シユレバークミ     | COMPRESSION SPRING           |    |
| 23     | 048070342 | 1    | トメワE7       | RETAINING RING E7            |    |
| 24     | 062061616 | 3    | ナベコ6X16     | SCREW PAN M6X16              |    |
| 25     | SA5096001 | 1    | スタッド        | STUD                         |    |
| 26     | SA5097001 | 1    | メスクドウレンカンクミ | KNIFE DRIVING ROD ASSY       |    |
| 27     | SA5098001 | 1    | メスクドウレンカン   | KNIFE DRIVING ROD            |    |
| 28     | SA2663001 | 2    | タマツギテRクミ    | ROUND JOINT ASSY, R          |    |
| 29     | 021060306 | 2    | 3シュナット6     | NUT 3 M6                     |    |
| 30     | SA2669001 | 2    | タマツギテダンネジ   | SHOULDER SCREW, SM5.95-28    |    |
| 31     | SA5099101 | 1    | イトキリクドウレバー  | THREAD TRIMMER DRIVING LEVER |    |
| 32     | SA5100101 | 1    | ダンネジ6       | SHOULDER SCREW,M6            |    |
| 33     | 021060306 | 1    | 3シュナット6     | NUT 3 M6                     |    |
| 34     | S48234001 | 1    | クドウレバークミ    | SPRING                       |    |
| 35     | SA5101001 | 1    | クドウレバークミ    | STOPPER                      |    |
| 36     | 112751003 | 1    | シメネジ3.57    | SCREW, SM3.57X7              |    |
| 37     | 100257010 | 1    | シメネジ3.57    | SCREW, SM3.57X6              |    |



" オプション部品 / OPTION PARTS "

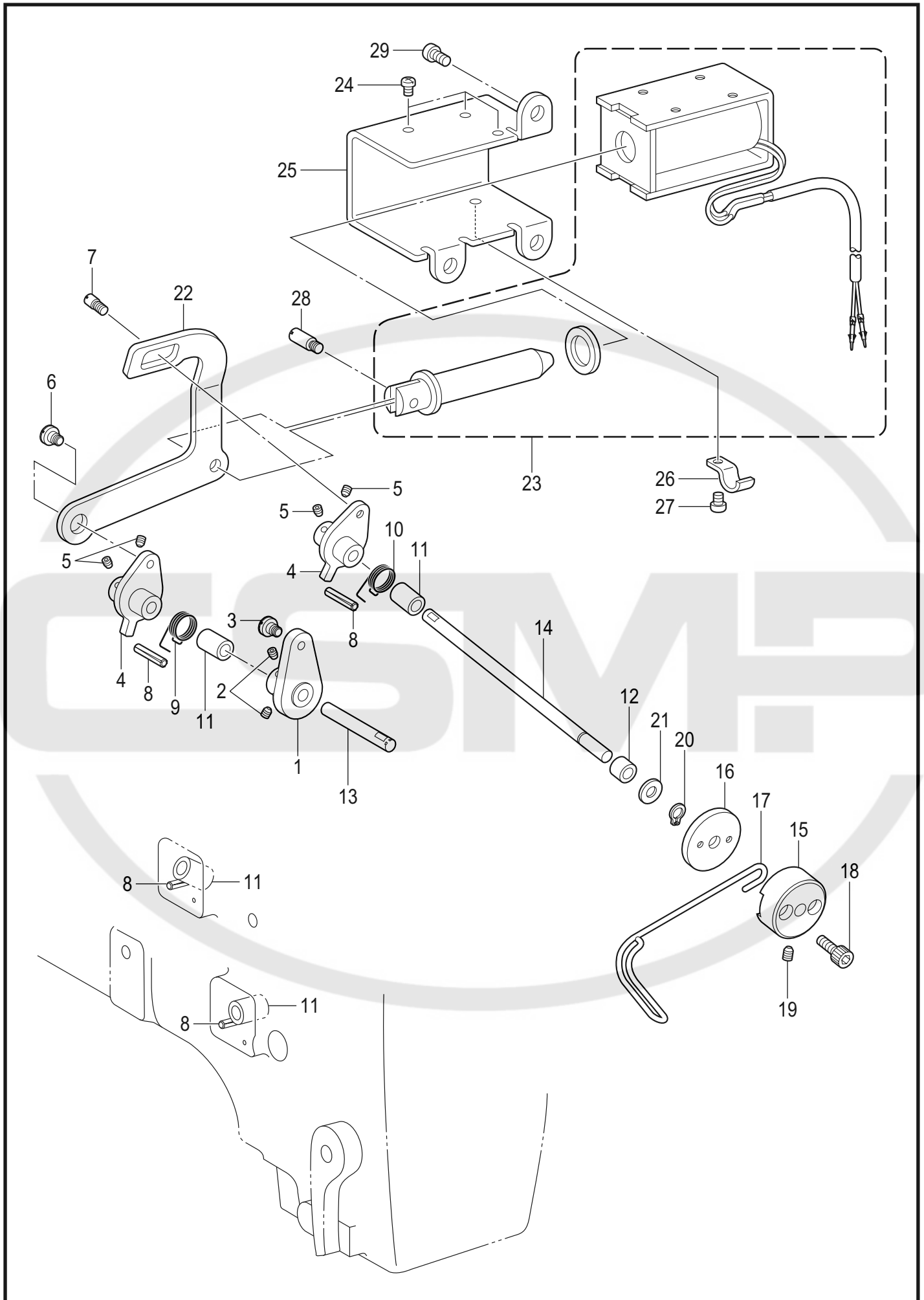




M2. 糸切り関係 / Thread trimmer mechanism

| REF.NO | CODE      | Q'TY | 品名          | NAME OF PARTS          | RM |
|--------|-----------|------|-------------|------------------------|----|
| 1      | S48236201 | 1    | メスユニット      | KNIFE UNIT             |    |
| 2      | S48238001 | 1    | メスホルダー      | KNIFE HOLDER           |    |
| 3      | S48239001 | 1    | シタイトオサエバネ   | PLATESPRING            |    |
| 4      | 100105005 | 1    | シメネジ2.38    | SCREW, SM2.38X2.4      |    |
| 5      | S48240001 | 1    | チヨウセツバネ     | ADJUSTING SPRING       |    |
| 6      | S48247001 | 1    | シメネジ2.38    | SCREW, SM2.38X5        |    |
| 7      | S48242001 | 1    | メスダイイタ      | KNIFE BRACKET          |    |
| 8      | S55863001 | 1    | イドウハ        | MOVABLE KNIFE          |    |
| 9      | S55864001 | 1    | コテイハ        | FIXED KNIFE            |    |
| 10     | S55865001 | 1    | コテイハクラツチ    | FIXED KNIFE CLUTCH     |    |
| 11     | S48246001 | 1    | クラツチバネ      | SPRING                 |    |
| 12     | 155103001 | 1    | ダンネジ3.18    | SHOULDER SCREW, SM3.18 |    |
| 13     | 062670712 | 4    | ナベコ357-40X7 | SCREW PAN SM3.57-40X7  |    |
|        |           |      | <オプション用>    | <OPTION PARTS>         |    |
| 14     | S58941001 | 1    | メスユニットH     | KNIFE UNIT, H          |    |
| 15     | S48238001 | 1    | メスホルダー      | KNIFE HOLDER           |    |
| 16     | S48239001 | 1    | シタイトオサエバネ   | PLATESPRING            |    |
| 17     | 100105005 | 1    | シメネジ2.38    | SCREW, SM2.38X2.4      |    |
| 18     | S48240001 | 1    | チヨウセツバネ     | ADJUSTING SPRING       |    |
| 19     | S48247001 | 1    | シメネジ2.38    | SCREW, SM2.38X5        |    |
| 20     | S48242001 | 1    | メスダイイタ      | KNIFE BRACKET          |    |
| 21     | S58943001 | 1    | イドウハH       | MOVABLE KNIFE, H       |    |
| 22     | S55864001 | 1    | コテイハ        | FIXED KNIFE            |    |
| 23     | S55865001 | 1    | コテイハクラツチ    | FIXED KNIFE CLUTCH     |    |
| 24     | S48246001 | 1    | クラツチバネ      | SPRING                 |    |
| 25     | 155103001 | 1    | ダンネジ3.18    | SHOULDER SCREW, SM3.18 |    |
| 26     | 062670712 | 4    | ナベコ357-40X7 | SCREW PAN SM3.57-40X7  |    |

N . 糸緩め関係 / Tension release mechanism



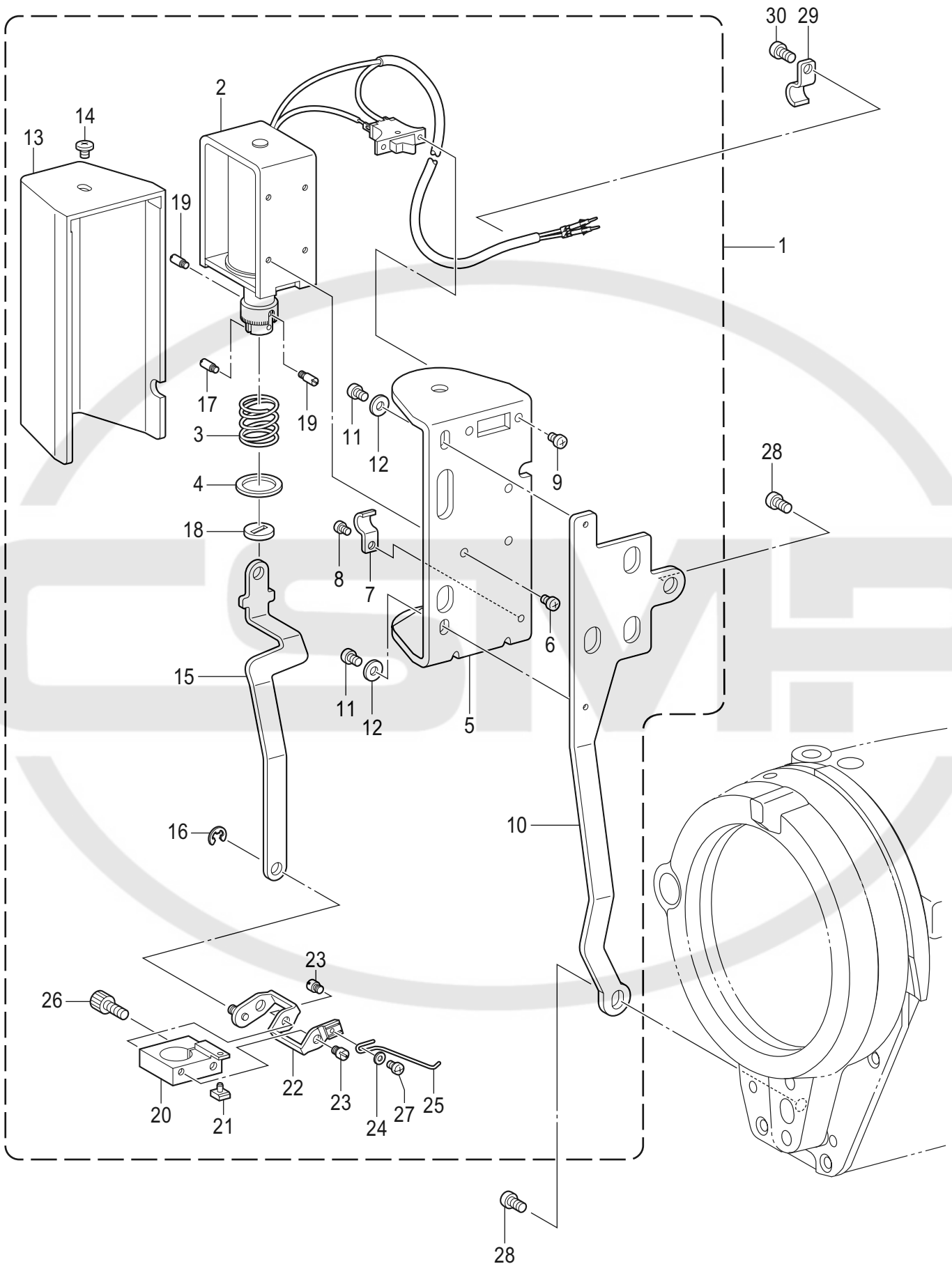
## N. 糸緩め関係 / Tension release mechanism

| REF.NO | CODE      | Q'TY | 品名           | NAME OF PARTS              | RM |
|--------|-----------|------|--------------|----------------------------|----|
|        |           |      | <8560A用>     | <For "8560A">              |    |
| 1      | SA5102001 | 1    | イトクリダシレバー-A  | REVER,A                    |    |
| 2      | 014500536 | 2    | アナクボミ5X5     | SET SCREW SOCKET (CP) M5X5 |    |
| 3      | SA6239001 | 1    | ダンネジ4        | SHOULDER SCREW M4          |    |
| 4      | SA5103001 | 2    | イトクリダシレバー-B  | REVER,B                    |    |
| 5      | 014500536 | 4    | アナクボミ5X5     | SET SCREW SOCKET (CP) M5X5 |    |
| 6      | SA6239001 | 1    | ダンネジ4        | SHOULDER SCREW M4          |    |
| 7      | S51395001 | 1    | スタツドM4       | STUD, M4                   |    |
| 8      | 120438001 | 2    | ミゾツキピン       | PIN                        |    |
| 9      | S48313001 | 1    | イトクリダシバネA    | SPRING, A                  |    |
| 10     | SA5087001 | 1    | イトクリダシバネB    | SPRING, B                  |    |
| 11     | S48314000 | 2    | イトクリダシジクメタル  | BUSH                       |    |
| 12     | SA5104001 | 1    | イトクリダシジクメタルB | BUSH,B                     |    |
| 13     | S48315001 | 1    | イトクリダシジクA    | SHAFT, A                   |    |
| 14     | SA5105001 | 1    | イトクリダシジクB    | SHAFT,B                    |    |
| 15     | SA5106001 | 1    | イトクリダシダイ     | BASE                       |    |
| 16     | SA5107001 | 1    | イトクリダシイタ     | PLATE                      |    |
| 17     | SA5108001 | 1    | イトクリダシワイヤー   | WIRE                       |    |
| 18     | 018401232 | 2    | アナボルト4X12    | BOLT SOCKET M4X12          |    |
| 19     | 014060632 | 1    | アナクボミ6X6     | SET SCREW SOCKET (CP) M6X6 |    |
| 20     | 048060142 | 1    | トメワジクヨウC6    | RETAINING RING EXTERNAL C6 |    |
| 21     | S03695001 | 1    | ザガネ6         | WASHER, 6                  |    |
| 22     | SA5109101 | 1    | イトクリダシレンカン   | LINK                       |    |
| 23     | SA7232001 | 1    | イトクリダシSOLクミ  | SOLENOID ASSY              |    |
| 24     | 062300616 | 3    | ナベコ3X6       | SCREW PAN M3X6             |    |
| 25     | SA7248001 | 1    | ソレノイドトリツケイタ  | SOLENOID SETTING PLATE     |    |
| 26     | 140647101 | 1    | コードオサエ       | CORD HOLDER                |    |
| 27     | 062400616 | 1    | ナベコ4X6       | SCREW PAN M4X6             |    |
| 28     | S25456001 | 1    | プランジャピン      | PLUNGER PIN                |    |
| 29     | 062500816 | 3    | ナベコ5X8       | SCREW PAN M5X8             |    |

Z-8560A-404

P. 糸払い関係 / Thead wiper mechanism

< 日本向以外用 / Except for Japan >

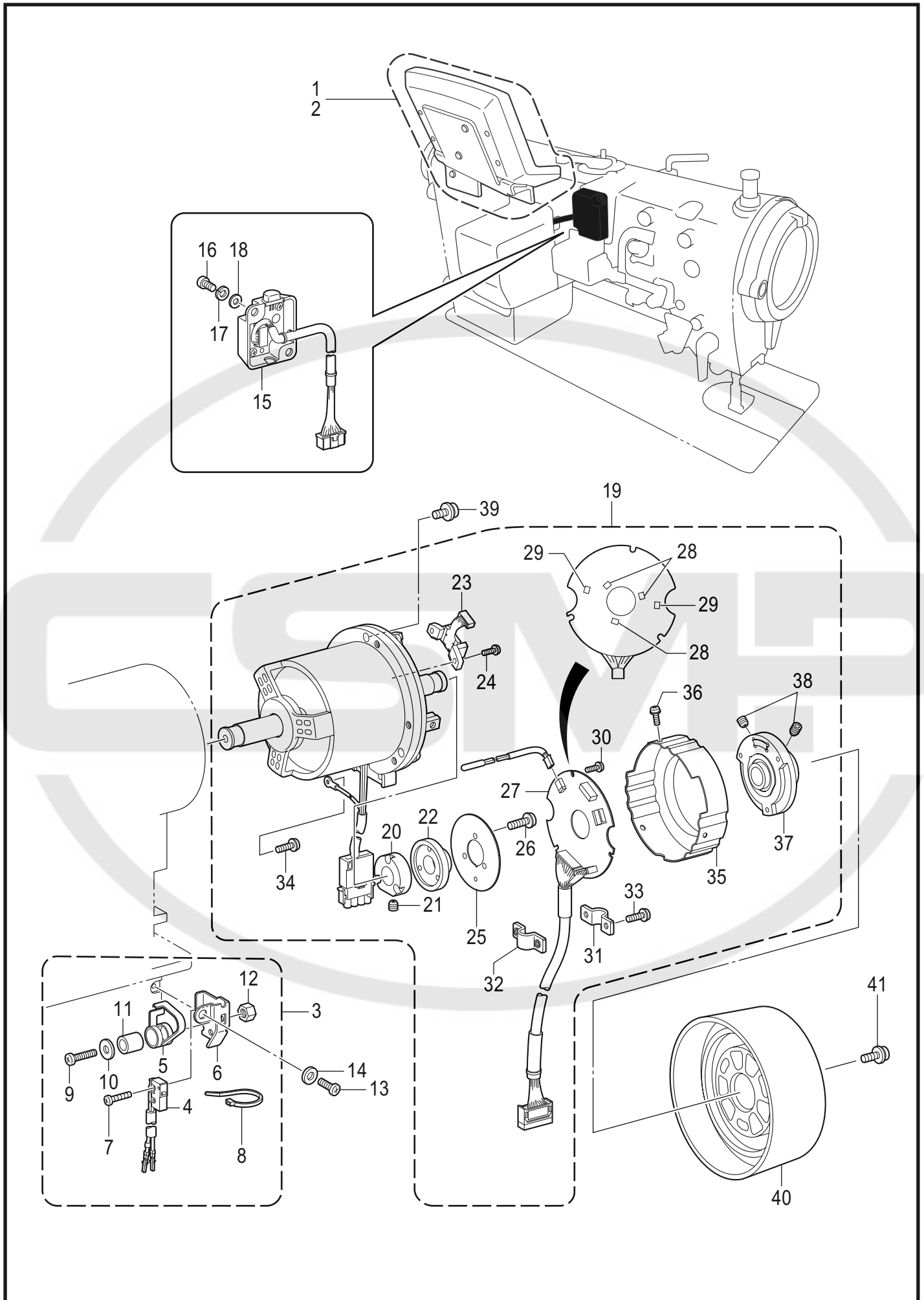


P. 糸払い関係 / Thread wiper mechanism

| REF.NO | CODE      | Q'TY | 品名           | NAME OF PARTS              | RM |
|--------|-----------|------|--------------|----------------------------|----|
|        |           |      | <日本向以外用>     | <Except for Japan>         |    |
| 1      | SA6568001 | 1    | イトハライソウチクミ   | THREAD WIPER DEVICE ASSY   |    |
| 2      | SA1396001 | 1    | イトハライソレノイドクミ | THREAD WIPER SOLENOID ASSY |    |
| 3      | S41206001 | 1    | イトハライバネ      | THREAD WIPER SPRING        |    |
| 4      | S41205001 | 1    | ヒラザガネ        | WASHER, PLAIN              |    |
| 5      | S25449201 | 1    | ソレノイドトリツケイタ  | SOLENOID SETTING PLATE     |    |
| 6      | 062300616 | 3    | ナベコ3X6       | SCREW PAN M3X6             |    |
| 7      | 140647101 | 1    | コードオサエ       | CORD HOLDER                |    |
| 8      | 062300616 | 1    | ナベコ3X6       | SCREW PAN M3X6             |    |
| 9      | 062300616 | 2    | ナベコ3X6       | SCREW PAN M3X6             |    |
| 10     | SA5115101 | 1    | イトハライドダイ     | THREAD WIPER BASE          |    |
| 11     | 062400616 | 2    | ナベコ4X6       | SCREW PAN M4X6             |    |
| 12     | 026040236 | 2    | ヒラザガネミガキ4    | WASHER PLAIN M 4           |    |
| 13     | S33610101 | 1    | ソレノイドカバー     | SOLENOID COVER             |    |
| 14     | 060400516 | 1    | バインド4X5      | SCREW BIND M4X5            |    |
| 15     | SA5120101 | 1    | イトハライロツド     | THREAD WIPER ROD           |    |
| 16     | 048030342 | 1    | トメワE3        | RETAINING RING E3          |    |
| 17     | S25456001 | 1    | プランジヤピン      | PLUNGER PIN                |    |
| 18     | S41207000 | 1    | スペーサゴム       | SPACER RUBBER              |    |
| 19     | S25456001 | 2    | プランジヤピン      | PLUNGER PIN                |    |
| 20     | SA6569101 | 1    | ワイパーブラケット    | WIPER BRACKET              |    |
| 21     | SA6570001 | 1    | ストッパゴム       | STOPPER RUBBER             |    |
| 22     | SA6588001 | 1    | イトハライクランク    | THREAD WIPER CRANK         |    |
| 23     | SA6631001 | 2    | ボタンツカミアンナイピン | BUTTON CLAMP GUIDE PIN     |    |
| 24     | 025030232 | 1    | ヒラザガネチュウ3    | WASHER PLAIN M 3           |    |
| 25     | S48260001 | 1    | イトハライ        | THREAD WIPER               |    |
| 26     | 018401236 | 1    | アナボルト4X12    | BOLT SOCKET M4X12          |    |
| 27     | 062300416 | 1    | ナベコ3X4       | SCREW PAN M3X4             |    |
| 28     | 062500816 | 2    | ナベコ5X8       | SCREW PAN M5X8             |    |
| 29     | SA2689001 | 1    | コードオサエ       | CORD HOLDER                |    |
| 30     | 062500816 | 1    | ナベコ5X8       | SCREW PAN M5X8             |    |

Z-8560A-405

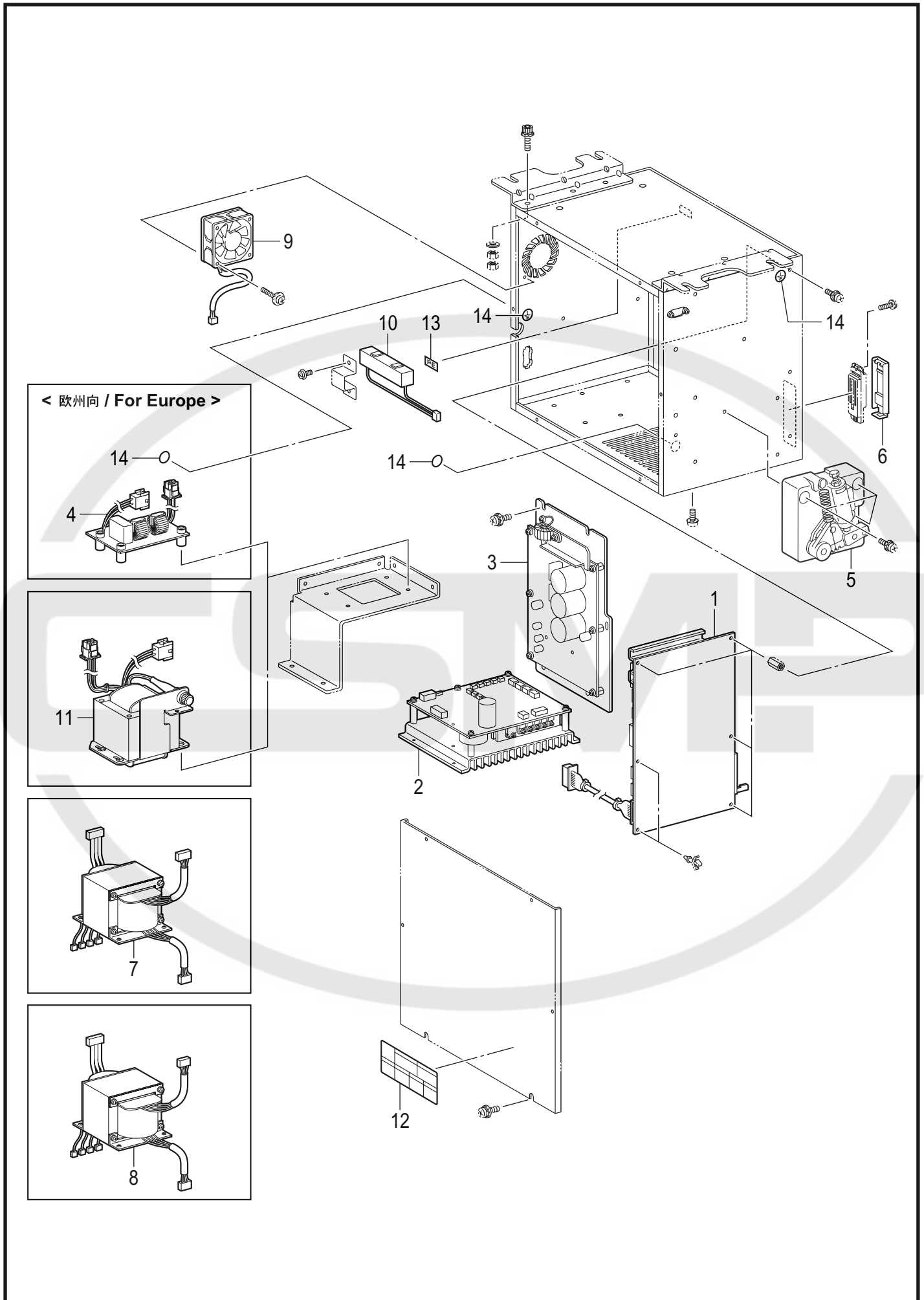
Q1 .コントロールボックス、モータ関係 / Control box and motor mechanism



Q1. コントロールボックス、モータ関係 / Control box and motor mechanism

| REF.NO | CODE      | Q'TY | 品名                                   | NAME OF PARTS   | RM |
|--------|-----------|------|--------------------------------------|---|----|
| 1      | J04481001 | 1    | <8550A-031用><br>Z-STパネルハウソウクミ        | <For "8550A-031"><br>Z-ST PANEL CARTON SET ASSY         |    |
| 2      | J04480001 | 1    | <8550A-A31, 8560A用><br>Z-40パネルハウソウクミ | <For "8550A-A31 & 8560A"><br>Z-40 PANEL CARTON SET ASSY |    |
| 3      | SA1384001 | 1    | セーフテイスイツチクミ                          | SAFETY SWITCH ASSY                                      |    |
| 4      | SA1385001 | 1    | マイクロスイツチクミ                           | MICRO SWITCH ASSY                                       |    |
| 5      | S38744101 | 1    | スイツチイタバネ                             | SWITCH PLATE SPRING                                     |    |
| 6      | SA1383001 | 1    | スイツチダイ                               | SWITCH BASE   |    |
| 7      | 062020806 | 2    | ナベコ2X8                               | SCREW PAN M2X8  |    |
| 8      | S04159000 | 1    | バンド1M                                | BAND, 1M  |    |
| 9      | 062401216 | 1    | ナベコ4X12                              | SCREW PAN M4X12   |    |
| 10     | 026040236 | 1    | ヒラザガネミガキ4                            | WASHER PLAIN M 4  |    |
| 11     | 154514001 | 1    | スペーサ-                                | SPACER  |    |
| 12     | 021400106 | 1    | 1シュナット4                              | NUT 1 M4  |    |
| 13     | 062060816 | 1    | ナベコ6X8                               | SCREW PAN M6X8  |    |
| 14     | 025060136 | 1    | ヒラザガネシヨウ6                            | WASHER PLAIN S 6  |    |
| 15     | SA5258001 | 1    | トウブケンシュツユニット#2                       | HEAD DETECTUR UNIT #2                                   |    |
| 16     | 062501216 | 2    | ナベコ5X12                              | SCREW PAN M5X12   |    |
| 17     | 028050246 | 2    | バネザガネ2-5                             | WASHER SPRING 2-5                                       |    |
| 18     | 026050136 | 2    | ヒラザガネコガタ5                            | WASHER PLAIN S 5  |    |
| 19     | J80972001 | 1    | モータクミCDD-HS                          | MOTOR ASSY CDD-HS                                       |    |
| 20     | J03955001 | 1    | ドラムコテイCDD                            | DRUM CDD  |    |
| 21     | 014400632 | 2    | アナクボミ4X6                             | SET SCREW SOCKET (CP) M4X6                              |    |
| 22     | J03956001 | 1    | ジシヤク180P36                           | MAGNET 180P36   |    |
| 23     | J03957001 | 1    | MRセンサクミ180P                          | MR SENSOR ASSY 180P                                     |    |
| 24     | 0A4300806 | 2    | +ナベザクミ3X8DA                          | SCREW PAN (S/P WASHER) M3X8                             |    |
| 25     | J03958001 | 1    | シヤヘイイタCDD                            | SHIELD PLATE CDD  |    |
| 26     | 0A4261006 | 3    | +ナベザクミ26X10DA                        | SCREW PAN (S/P WASHER) M2.6X10                          |    |
| 27     | J80971001 | 1    | CDD-ENCキバンクミ#2                       | PCB ASSY CDD-ENC#2                                      |    |
| 28     | J03983001 | 3    | ホルICEW-400                           | HALL ELEMENT: ICEW-400                                  |    |
| 29     | J03984001 | 2    | ホルICEW-450                           | HALL ELEMENT: ICEW-450                                  |    |
| 30     | 0A5300606 | 3    | +ナベザクミ3X6DB                          | SCREW PAN (S/P WASHER) M3X6                             |    |
| 31     | J03961001 | 1    | コードオサエ(アナ)                           | CORD HOLDER (HOLE)                                      |    |
| 32     | J03962001 | 1    | コードオサエ(ネジ)                           | CORD HOLDER (TAPPING)                                   |    |
| 33     | 0A4401606 | 2    | +ナベザクミ4X16DA                         | SCREW PAN (S/P WASHER) M4X16                            |    |
| 34     | 0A4401006 | 1    | +ナベザクミ4X10DA                         | SCREW PAN (S/P WASHER) M4X10                            |    |
| 35     | J04296001 | 1    | エンコ-ダカバ-CDD#2                        | ENCODER COVER CDD#2                                     |    |
| 36     | 0A4300806 | 3    | +ナベザクミ3X8DA                          | SCREW PAN (S/P WASHER) M3X8                             |    |
| 37     | J03964001 | 1    | プ-リトリツケダイクミCDD                       | PULLEY HOLDER ASSY CDD                                  |    |
| 38     | 014500632 | 2    | アナクボミ5X6                             | SET SCREW SOCKET (CP) M5X6                              |    |
| 39     | SA2354001 | 3    | +ナベセットネジ5X18                         | SCREW PAN M5X18   |    |
| 40     | SA4211001 | 1    | プ-リCDD                               | PULLEY,CDD  |    |
| 41     | SA3025001 | 3    | ナベザクミ4X10DA                          | SCREW PAN(S/P WASHER)M4X10                              |    |

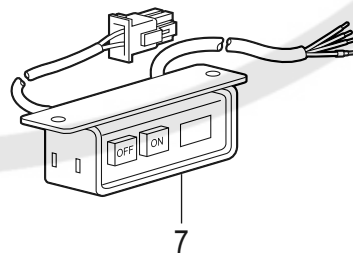
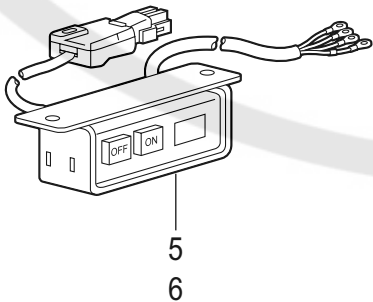
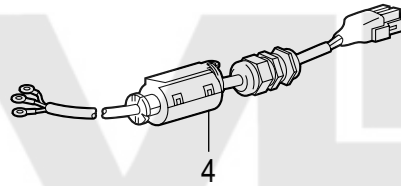
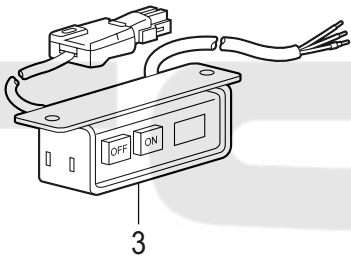
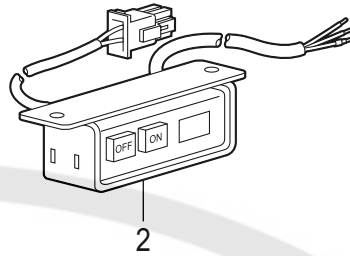
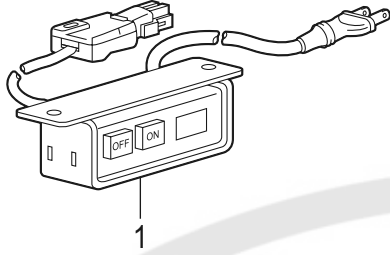
Z-8550A/8560A-502





Q2. コントロールボックス関係 / Control box mechanism

| REF.NO | CODE      | Q'TY | 品名                              | NAME OF PARTS   | RM |
|--------|-----------|------|---------------------------------|---|----|
| 1      | J80996001 | 1    | EZメインキバンクミ                      | PCB ASSY MAIN EZ  |    |
| 2      | J80998001 | 1    | EZPMDキバンクミ                      | PCB ASSY EZ PMD   |    |
| 3      | J80997001 | 1    | <220V AC用><br>デンゲンキバンクミEZ220V   | <For "220V AC "><br>PCB ASSY POWER EZ220V                   |    |
| 3      | J81003001 | 1    | <110V AC用><br>デンゲンキバンクミEZ110V   | <For "110V AC "><br>PCB ASSY POWER EZ110V                   |    |
| 4      | J80970001 | 1    | <欧州向用><br>CEフィルタキバンクミ           | <For Europe><br>CE FILTER PCB ASSY                          |    |
| 5      | J80967001 | 1    | <前一段, 後一段タイプ><br>フミコミュニティNDD-コク | <Type forward 1 step, backward 1 step><br>TREADLE UNIT, NDD |    |
| 5      | J80968001 | 1    | <前二段, 後二段タイプ><br>フミコミュニティNDD-ユ  | <Type forward 2 step, backward 2 step><br>TREADLE UNIT, NDD |    |
| 6      | SA6364001 | 1    | CFキャップクミ                        | CF CAP ASSY   |    |
| 7      | J04425001 | 1    | トランスEZ-200V                     | TRANSFOMER EZ-200V  |    |
| 8      | J04517001 | 1    | トランスEZ-100V                     | TRANSFOMER EZ-100V  |    |
| 9      | SA3797001 | 1    | DCファンモータクミ                      | DC-FAN MOTOR ASSY   |    |
| 10     | J04100001 | 1    | セメントR40/220クミ#6                 | CEMENT RESISTOR ASSY, 401220#6                              |    |
| 11     | J03939001 | 1    | トランス400V                        | TRANSFORMER, 400V   |    |
| 12     | J04115001 | 1    | ラベルカンデン6カコク                     | LABEL, ELEC. SHOCK 6 LANG.                                  |    |
| 13     | S37059001 | 1    | PEマーク                           | LABEL, PE   |    |
| 14     | S37060001 | 3    | アースマーク                          | LABEL, GROUNDING  |    |
| 14     | S37060001 | 1    | <欧州向用><br>アースマーク                | <For Europe><br>LABEL, GROUNDING                            |    |

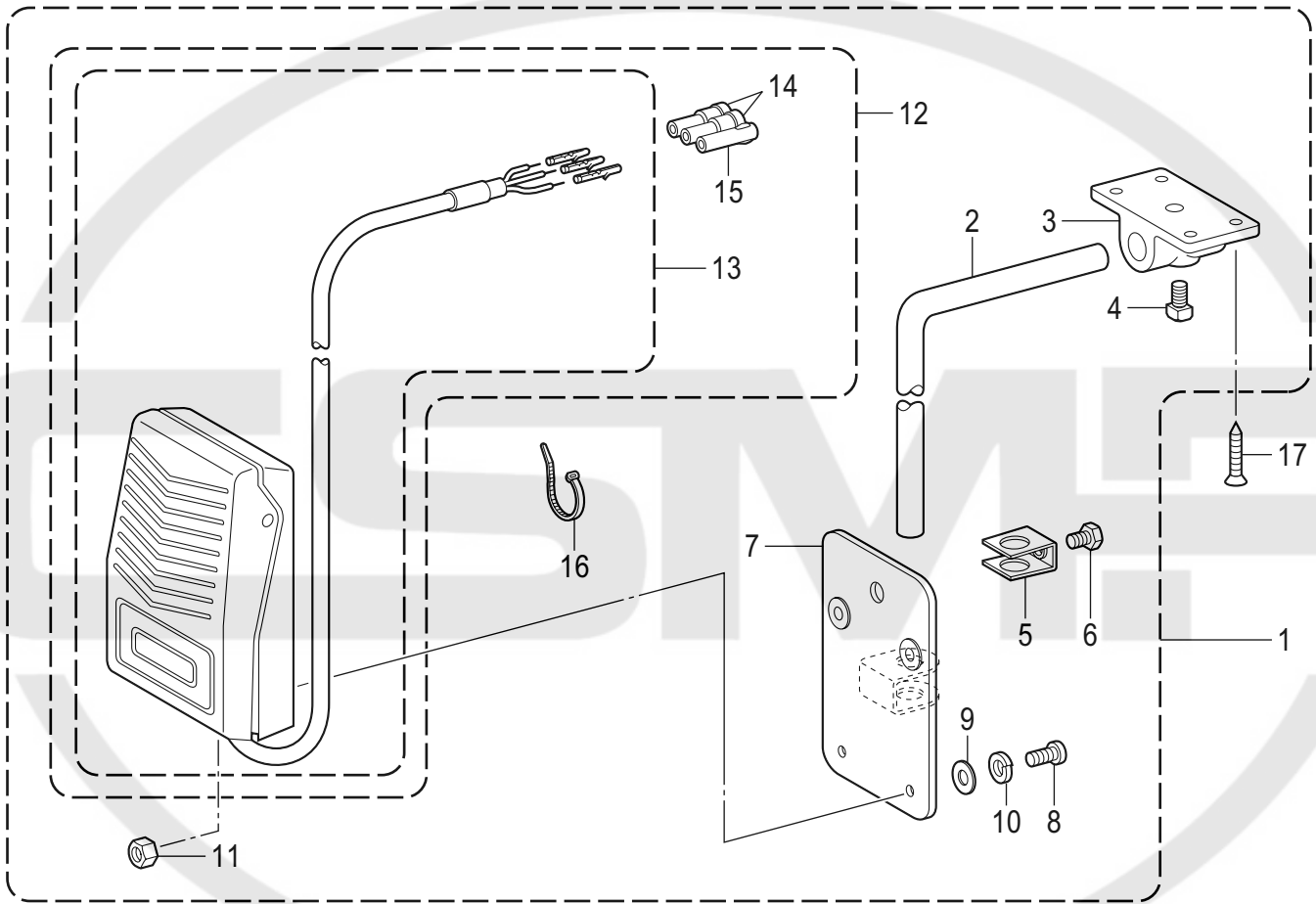


## Q3. コントロールボックス関係 / Control box mechanism

| REF.NO | CODE      | Q'TY | 品名                                  | NAME OF PARTS  | RM |
|--------|-----------|------|-------------------------------------|--|----|
| 1      | J04086001 | 1    | <单相 100V AC用><br>デンSWクミ1-100V#6     | <For Single phase"100V AC"><br>POWER SWITCH ASSY 1-100V #6   |    |
| 2      | J04469001 | 1    | <单相 110V AC用><br>デンSWクミ1-110V#8     | <For Single phase"110V AC"><br>POWER SWITCH ASSY 1-110V #8   |    |
| 3      | J04093001 | 1    | <单相 220V AC用><br>デンSWクミ1-240V#6     | <For Single phase"220V AC"><br>POWER SWITCH ASSY, 1-240V #6  |    |
| 4      | J04134001 | 1    | <单相 230V AC CE 用><br>デンPGクミ1-240V#6 | <For Single phase"230V AC CE"><br>POWER PLUG ASSY, 1-240V #6 |    |
| 5      | J04096001 | 1    | <三相 380V AC 用><br>デンSWクミ3-400V#6    | <For Three phase"380V AC"><br>POWER SWITCH ASSY, 3-400V #6   |    |
| 6      | J04149001 | 1    | <三相 200V AC 用><br>デンSWクミ3-200V#6    | <For Three phase"200V AC"><br>POWER SWITCH ASSY 3-200V#6     |    |
| 7      | J04470001 | 1    | <三相 220V AC 用><br>デンSWクミ3-240V#8    | <For Three phase"220V AC"><br>POWER SWITCH ASSY 3-240V#8     |    |

Z-8550A/8560A-502

" オプション部品 / OPTION PARTS "

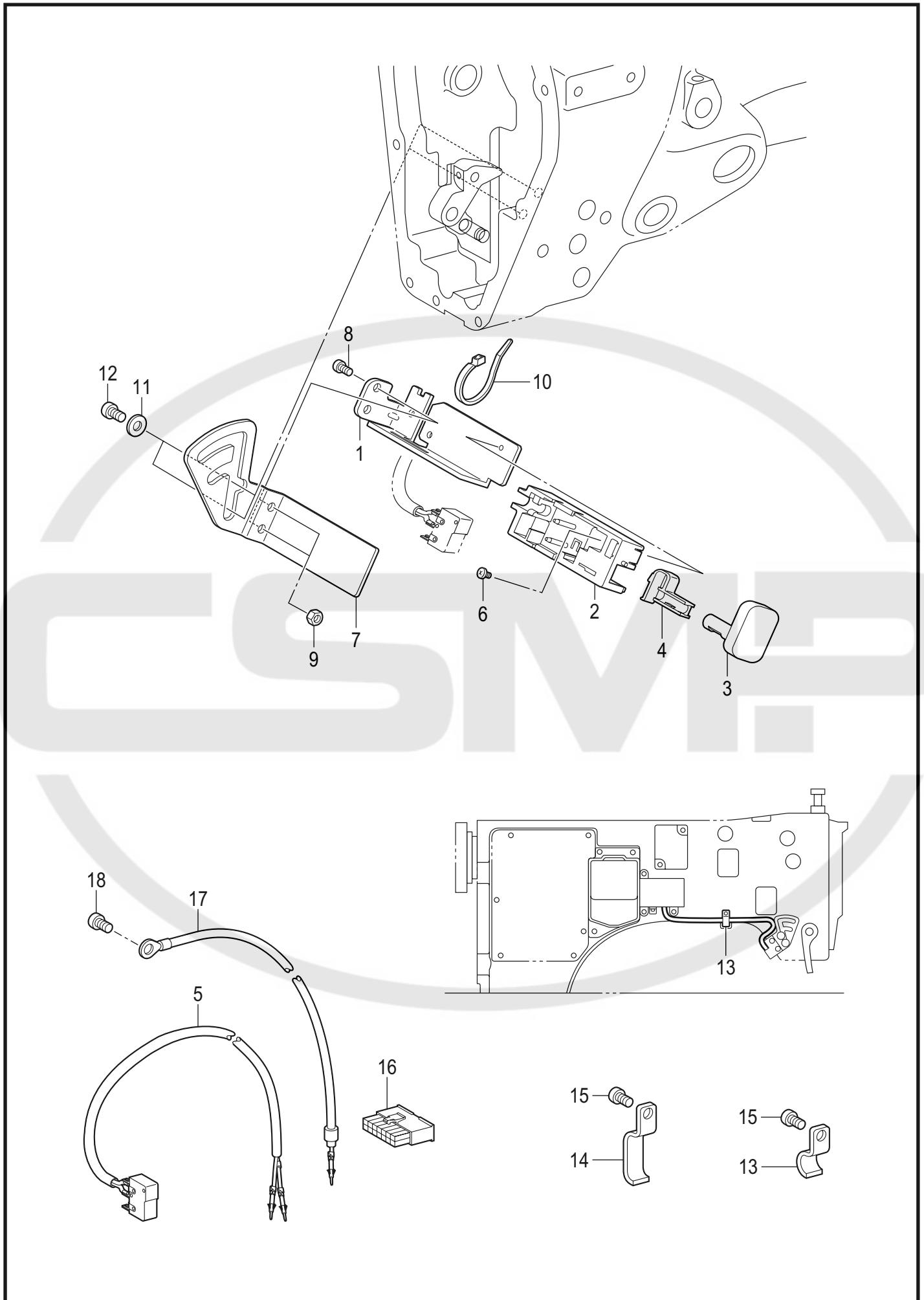


## R. 膝スイッチ関係 / Knee switch mechanism

| REF.NO | CODE      | Q'TY | 品名           | NAME OF PARTS                 | RM |
|--------|-----------|------|--------------|-------------------------------|----|
|        |           |      | <オプション用>     | <OPTION PARTS>                |    |
| 1      | S07045009 | 1    | ヒザスイッチクミ     | KNEE LIFTER SWITCH ASSY       |    |
| 2      | 142026003 | 1    | ヒザスイッチタテジク   | KNEE SWITCH SHAFT             |    |
| 3      | 142027001 | 1    | ヒザスイッチタテジクウケ | BRACKET                       |    |
| 4      | 100463001 | 1    | 4カクボルト7.94   | BOLT, SQUARE SM7.94           |    |
| 5      | 114967001 | 1    | ヒザアテストツパ     | KNEE LIFTER PLATE STOPPER     |    |
| 6      | 110087001 | 1    | ボルト5.95      | BOLT, SM5.95-28X8             |    |
| 7      | S07027001 | 1    | ヒザスイッチトリツケイタ | K-LIFTER SWITCH SETTING PLATE |    |
| 8      | 062401006 | 4    | ナベコ4X10      | SCREW PAN M4X10               |    |
| 9      | 025040233 | 4    | ヒラザガネチユウ4    | WASHER, PLAIN M 4             |    |
| 10     | 028040243 | 4    | バネザガネ2-4     | WASHER, SPRING 2-4            |    |
| 11     | 021400164 | 4    | 1シュナツト4      | NUT, 1 M4                     |    |
| 12     | S07030009 | 1    | スイッチコードクミ    | SWITCH & HARNESS ASSY         |    |
| 13     | S07031009 | 1    | フットスイッチクミ    | FOOT SWITCH ASSY              |    |
| 14     | 146046000 | 2    | ナイロンコネクタ     | NYLON CONNECTOR               |    |
| 15     | 146194000 | 1    | ナイロンコネクタ     | NYLON CONNECTOR               |    |
| 16     | 149799000 | 1    | タイラツプS       | BEAD BAND, S                  |    |
| 17     | 034422503 | 1    | +2サラモク41X25  | WOOD SCREW, FLAT 2 M4.1X25    |    |

Z-8550A/8560A-507

S . 逆転スイッチ関係 / Quick reverse switch mechanism



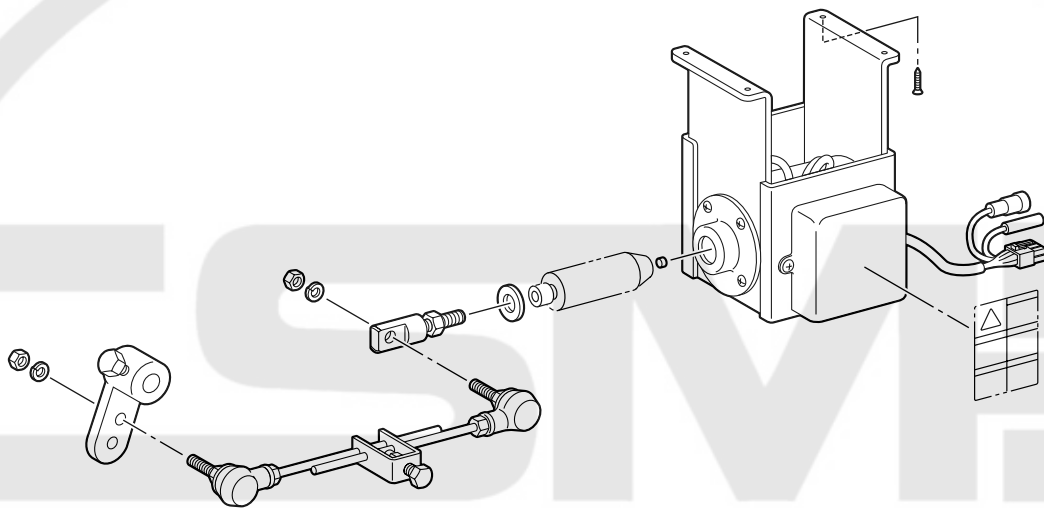
Z-8550A/8560A-508

## S. 逆転スイッチ関係 / Quick reverse switch mechanism

| REF.NO | CODE      | Q'TY | 品名           | NAME OF PARTS          | RM |
|--------|-----------|------|--------------|------------------------|----|
| 1      | SA2270001 | 1    | Rスイッチササエ     | REVERSE SWITCH BRACKET |    |
| 2      | S34281000 | 1    | Rスイッチダイ      | REVERSE SWITCH BRACKET |    |
| 3      | SA4098001 | 1    | アクチュエーター     | ACTUATOR               |    |
| 4      | SA4099001 | 1    | Rスイッチバネ      | REVERSE SWITCH SPRING  |    |
| 5      | SA1390001 | 1    | Rスイッチクミ      | R-SWITCH ASSY          |    |
| 6      | 060300606 | 1    | バインド3X6      | SCREW BIND M3X6        |    |
| 7      | SA5123001 | 1    | スイッチトリツケイタ   | SWITCH SETTING PLATE   |    |
| 8      | 062400816 | 2    | ナベコ4X8       | SCREW PAN M4X8         |    |
| 9      | 021400206 | 2    | 2シュナット4      | NUT 2 M4               |    |
| 10     | S04159000 | 1    | バインド1M       | BAND, 1M               |    |
| 11     | 025050236 | 2    | ヒラザガネチュウ5    | WASHER PLAIN M 5       |    |
| 12     | 062500816 | 2    | ナベコ5X8       | SCREW PAN M5X8         |    |
| 13     | SA2689001 | 1    | コードオサエ       | CORD HOLDER            |    |
| 14     | SA1394001 | 1    | コードオサエU3     | CORD HOLDER, U3        |    |
| 15     | 062500816 | 2    | ナベコ5X8       | SCREW PAN M5X8         |    |
| 16     | S38687000 | 1    | コネクタ5557-14R | CONNECTOR, 5557-14R    |    |
| 17     | SA1998001 | 1    | アースセンクミ      | GROUND WIRE ASSY       |    |
| 18     | 062500816 | 1    | ナベコ5X8       | SCREW PAN M5X8         |    |

Z-8550A/8560A-508

" オプション部品 / OPTION PARTS "



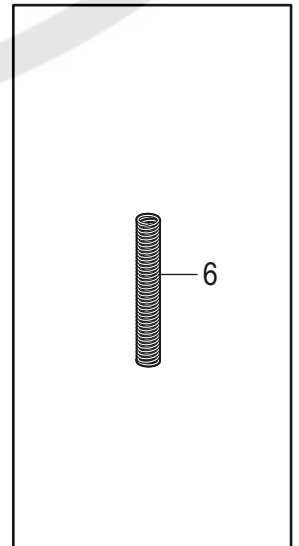
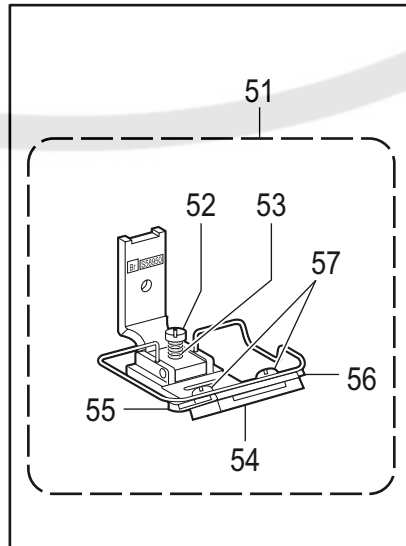
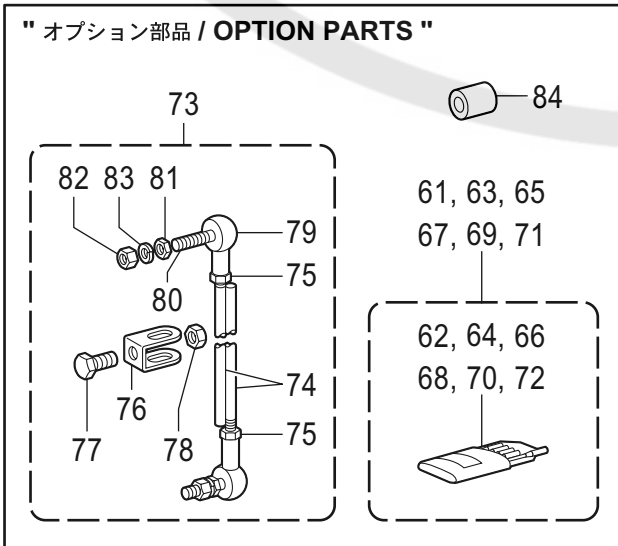
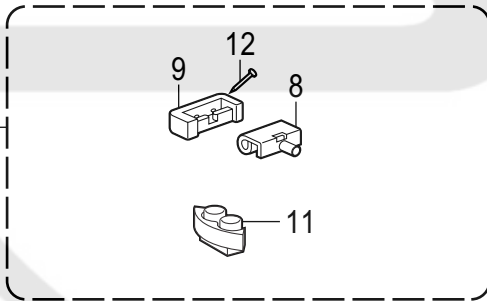
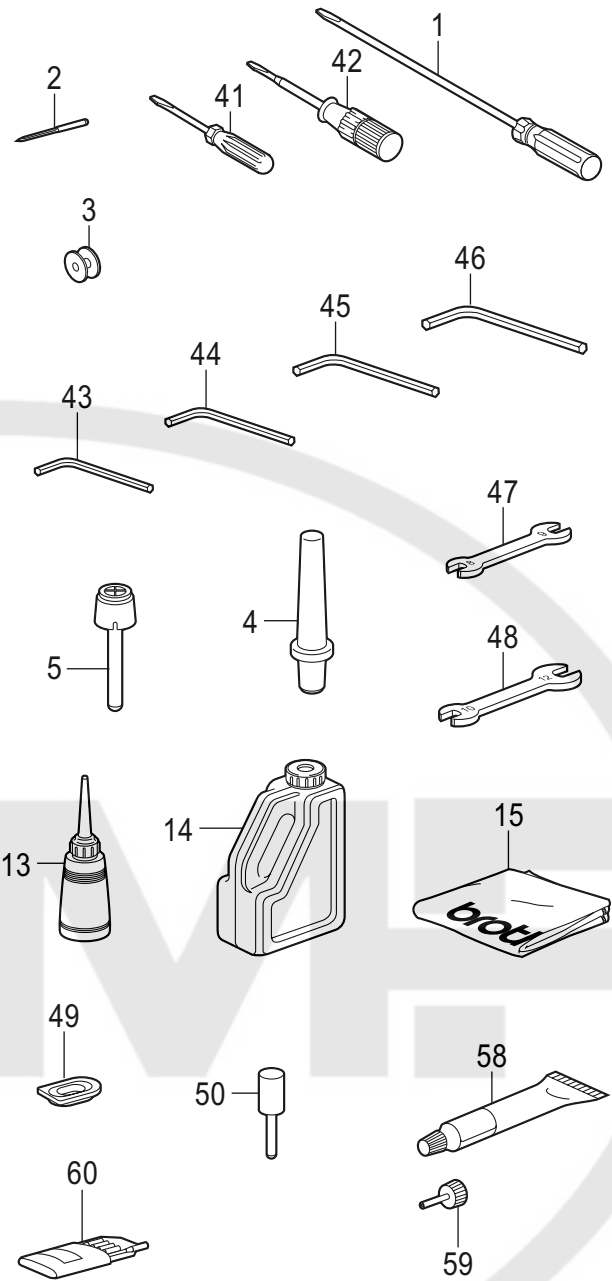
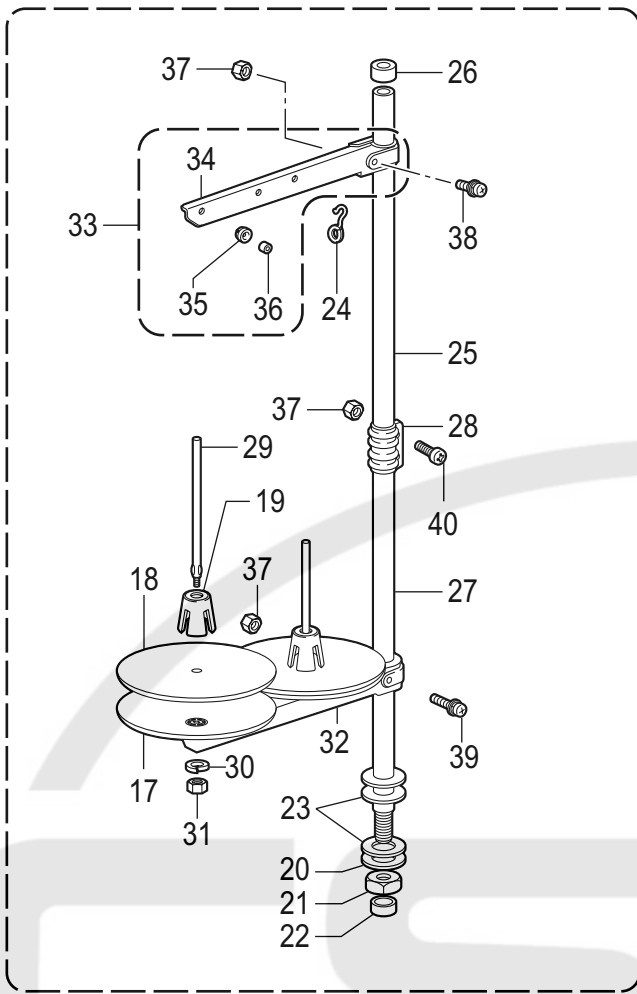
1



T. 電磁押え上げセット関係 / Presser foot lifting solenoid set

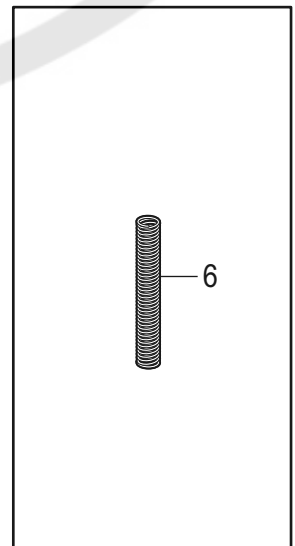
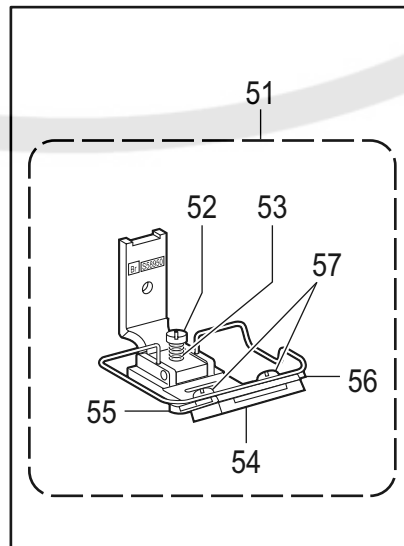
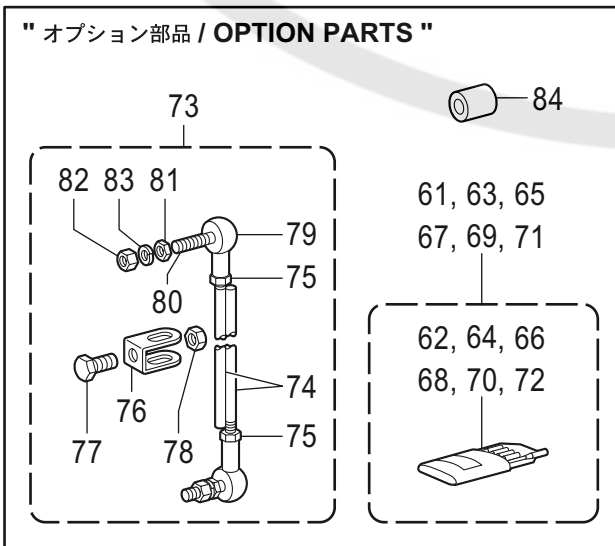
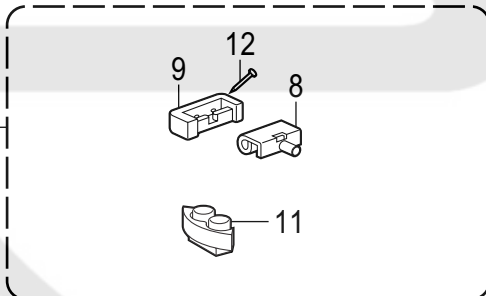
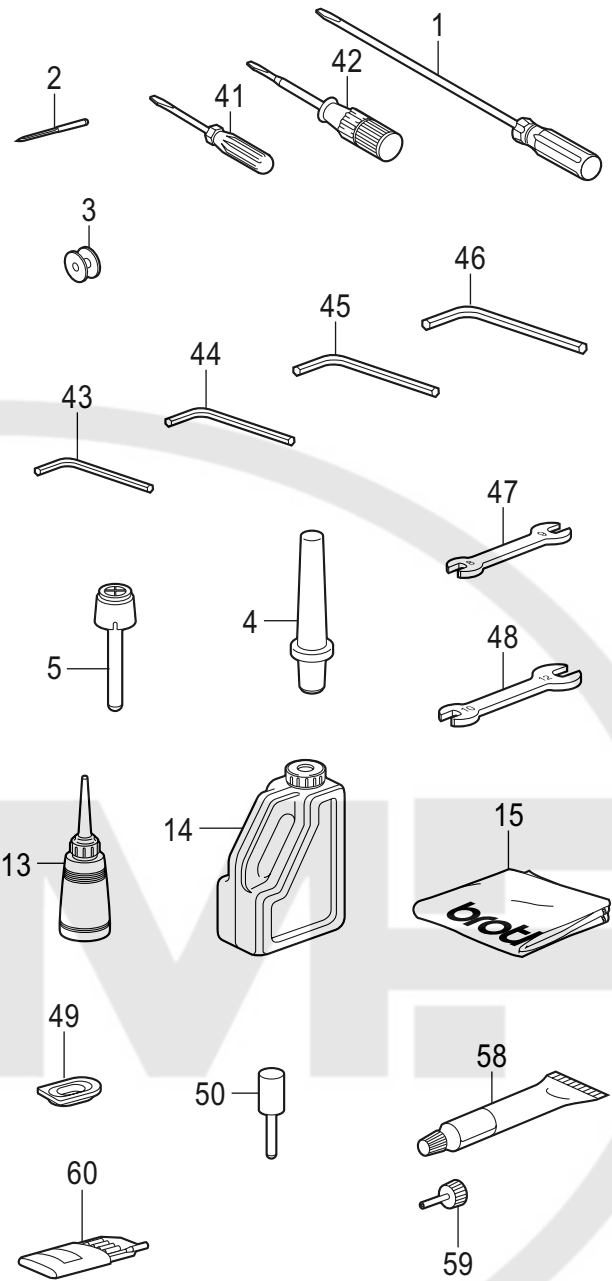
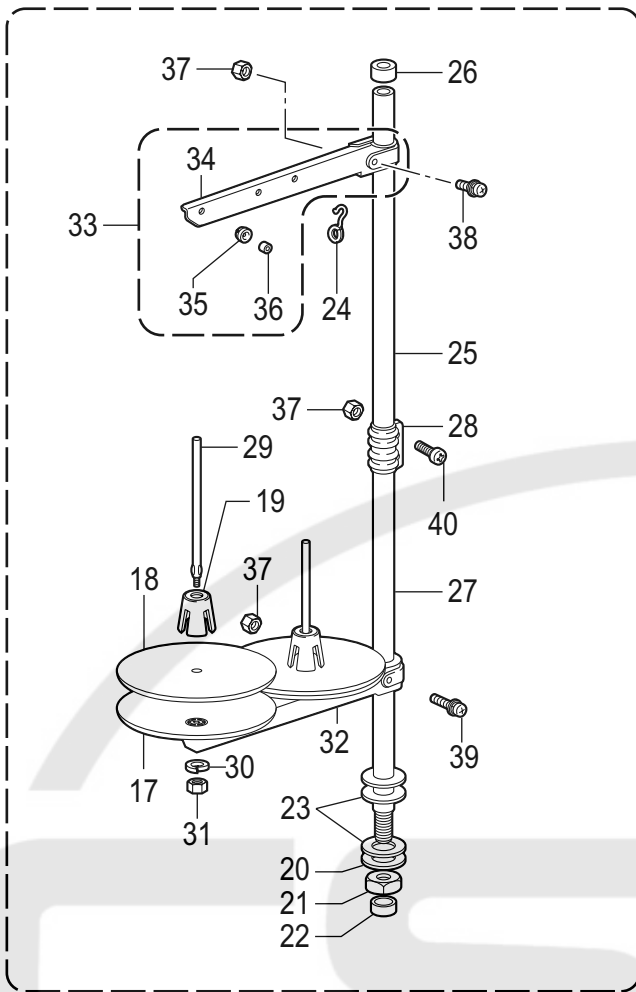
| REF.NO | CODE      | Q'TY | 品名                      | NAME OF PARTS                                | RM |
|--------|-----------|------|-------------------------|--|----|
| 1      | SA7251001 | 1    | <オプション用><br>デンジオサエアゲセット | <OPTION PARTS><br>P-FOOT LIFTER SOLENOID SET |    |

Z-8550A/8560A-943



## Z. 付属品関係 / Accessories

| REF.NO | CODE      | Q'TY | 品名                | NAME OF PARTS                            | RM |
|--------|-----------|------|-------------------|--|----|
| 1      | S17774001 | 1    | ネジマワシ4.7X250      | SCREW-DRIVER, 4.7X250                    |    |
| 2      | S48371070 | 4    | ミシンハリ134SUK       | NEEDLE, 134SUK                           |    |
| 3      | SA5126001 | 2    | ボビン               | BOBBIN                                   |    |
| 4      | S48363001 | 1    | マクラ               | HEAD REST                                |    |
| 5      | S09634000 | 1    | ヒザアゲオシボウ          | KNEE LIFTER COMPLYING BAR                |    |
| 6      | S48286001 | 1    | <日本向用><br>オサエバネ   | <For Japan only><br>PRESSER BAR SPRING   |    |
| 6      | S48285001 | 1    | <日本向以外用><br>オサエバネ | <Except for Japan><br>PRESSER BAR SPRING |    |
| 7      | SA7329001 | 1    | ラバ-ヒンジクミ          | RUBBER HINGE ASSY                        |    |
| 8      | 143882001 | 2    | トウブヒンジ            | HEAD HINGE                               |    |
| 9      | 143910009 | 2    | トウブヒンジウケゴム        | RUBBER CUSHION                           |    |
| 11     | SA1963001 | 4    | トウブシキゴム           | HEAD CUSHION                             |    |
| 12     | 109714000 | 4    | クギ                | NAIL                                     |    |
| 13     | 114483002 | 1    | ポリオイラークミ          | OILER ASSY                               |    |
| 14     | S55663001 | 1    | オイルタンククミ          | OIL TANK ASSY                            |    |
| 15     | 144226001 | 1    | トウブカバー            | HEAD COVER                               |    |
| 16     | S02763502 | 1    | イトタテダイクミ2DR       | COTTON STAND ASSY 2DR                    |    |
| 17     | S51283001 | 2    | ウケザラ              | SPOOL STAND BASE                         |    |
| 18     | 150182000 | 2    | スプ-ルマット           | SPOOL MAT                                |    |
| 19     | S51282101 | 2    | スプ-ルクツシヨ          | SPOOL CUSHION                            |    |
| 20     | 150206002 | 1    | ヒラザガネ16           | WASHER PLAIN 16                          |    |
| 21     | S38648001 | 1    | 6カクナツU5/8         | NUT U5/8-28                              |    |
| 22     | 150174000 | 1    | コラムキャツブ           | COLUMN CAP                               |    |
| 23     | S01005000 | 2    | イトタテゴム            | RUBBER WASHER                            |    |
| 24     | S02747101 | 1    | イトカケバネ            | SPRING                                   |    |
| 25     | 150172003 | 1    | コラムパイプ            | COLUMN PIPE                              |    |
| 26     | 150174000 | 1    | コラムキャツブ           | COLUMN CAP                               |    |
| 27     | 156112003 | 1    | コラムパイプD           | COLUMN PIPE, D                           |    |
| 28     | 150173003 | 1    | コラムジョイント          | COLUMN JOINT                             |    |
| 29     | 150179002 | 2    | スプ-ルジクB           | SPOOL SHAFT B                            |    |
| 30     | 028050244 | 2    | バネザガネ2-5          | WASHER SPRING 2-5                        |    |
| 31     | 021500104 | 2    | 1シュナツ5            | NUT 1 M5                                 |    |
| 32     | S02778002 | 1    | スプ-ルホルダ-2         | SPOOL HOLDER, 2                          |    |
| 33     | S02786002 | 1    | スレツドハンガ-クミ2       | THREAD HANGER ASSY, 2                    |    |
| 34     | S02787002 | 1    | スレツドハンガ-2         | THREAD HANGER, 2                         |    |
| 35     | 150183000 | 2    | イトカケハンガ-ダイ        | THREAD HANGER BASE                       |    |
| 36     | 142990001 | 2    | スレツドブツシュ          | THREAD BUSH                              |    |
| 37     | 021500104 | 4    | 1シュナツ5            | NUT 1 M5                                 |    |
| 38     | S37038001 | 1    | ナベコヒラザ5X14        | SCREW PAN(S/P WASHER) M5X14              |    |
| 39     | S37037001 | 1    | ナベコヒラザ5X32        | SCREW PAN (S/P WASHER) M5X32             |    |
| 40     | 062501404 | 2    | ナベコ5X14           | SCREW PAN M5X14                          |    |
| 41     | 142443001 | 1    | ネジマワシ1.9X52       | SCREW-DRIVER, 1.9X52                     |    |
| 42     | 118837001 | 1    | ネジマワシ3.4X70       | SCREW-DRIVER, 3.4X70                     |    |
| 43     | S07783001 | 1    | 6カクボウスパナ1.5       | HEXAGONAL WRENCH, 1.5                    |    |
| 44     | 142002001 | 1    | 6カクボウスパナ2         | HEXAGONAL WRENCH, 2                      |    |
| 45     | 154125001 | 1    | 6カクボウスパナ2.5       | HEXAGONAL WRENCH, 2.5                    |    |
| 46     | 142721001 | 1    | 6カクボウスパナ3         | HEXAGONAL WRENCH, 3                      |    |
| 47     | 100887001 | 1    | スパナ8X9            | WRENCH, 8X9                              |    |
| 48     | 107780001 | 1    | スパナ10X12          | WRENCH, 10X12                            |    |
| 49     | S48074000 | 1    | ストツパ5             | STOPPER, 5                               |    |



## Z. 付属品関係 / Accessories

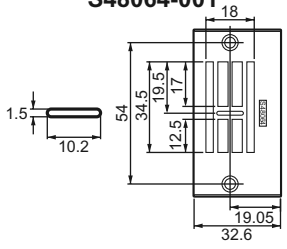
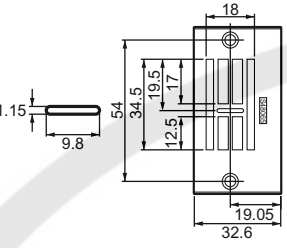
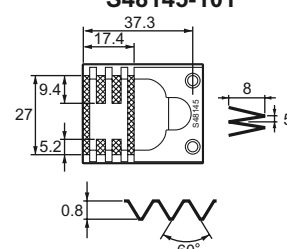
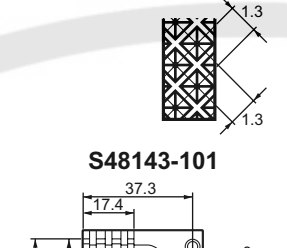
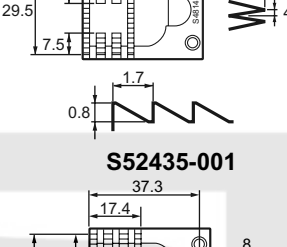
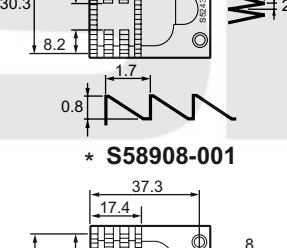
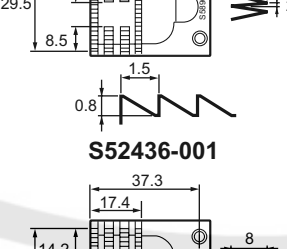
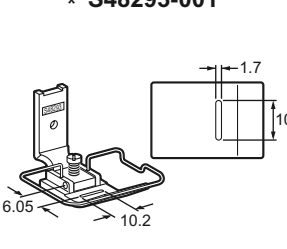
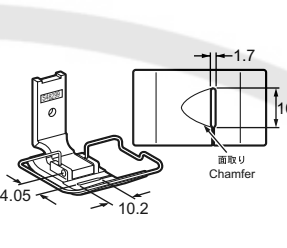
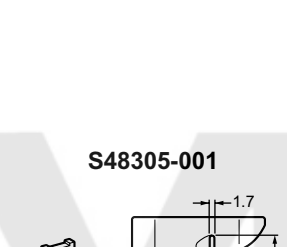
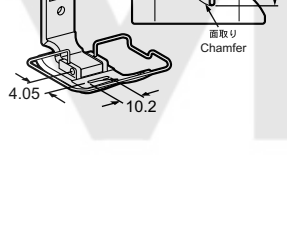

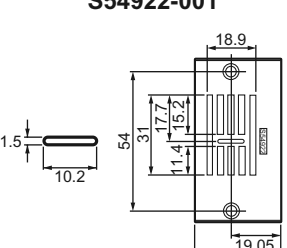
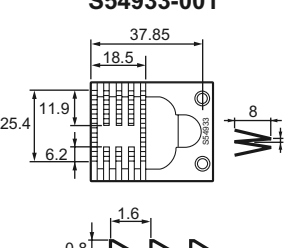
| REF.NO | CODE      | Q'TY | 品名             | NAME OF PARTS              | RM |
|--------|-----------|------|----------------|----------------------------|----|
| 50     | SA5128001 | 1    | ハリボウタカサゲ-ジ     | NEEDLE BAR HEIGHT GAUGE    |    |
|        |           |      | <日本向以外>        | <Except for Japan>         |    |
| 51     | S58950001 | 1    | -----          | PRESSER FOOT ASSY          |    |
| 52     | S48297001 | 1    | -----          | SCREW, SM3.18              |    |
| 53     | S48298001 | 1    | -----          | COMPRESSION SPRING         |    |
| 54     | S58953001 | 1    | -----          | TAPE GUIDE, D              |    |
| 55     | S58954001 | 1    | -----          | TAPE GUIDE, L              |    |
| 56     | S58955001 | 1    | -----          | TAPE GUIDE, R              |    |
| 57     | 062300416 | 2    | -----          | SCREW PAN M3X4             |    |
| 58     | SA2355001 | 1    | グリスチューブ        | GREASE TUBE                |    |
| 59     | SA2357001 | 1    | グリスノズル         | GREASE NOZZLE              |    |
| 60     | SA1742010 | 1    | S48371ハリ4コイリクミ | NEEDLE 4PIECE ASSY, S48371 |    |
|        |           |      | <オプション用>       | <OPTION PARTS>             |    |
| 61     | SA1742010 | 1    | S48371ハリ4コイリクミ | NEEDLE 4PIECE ASSY, S48371 |    |
| 62     | S48371070 | 4    | ミシンハリ134SUK    | NEEDLE, 134SUK             |    |
| 63     | SA1742011 | 1    | S48371ハリ4コイリクミ | NEEDLE 4PIECE ASSY, S48371 |    |
| 64     | S48371075 | 4    | ミシンハリ134SUK    | NEEDLE, 134SUK             |    |
| 65     | SA1742012 | 1    | S48371ハリ4コイリクミ | NEEDLE 4PIECE ASSY, S48371 |    |
| 66     | S48371080 | 4    | ミシンハリ134SUK    | NEEDLE, 134SUK             |    |
| 67     | SA1851070 | 1    | S48250ハリ4コイリクミ | NEEDLE 4PIECE ASSY, S48250 |    |
| 68     | S48250070 | 4    | ミシンハリ1965      | NEEDLE, 1965               |    |
| 69     | SA1851075 | 1    | S48250ハリ4コイリクミ | NEEDLE 4PIECE ASSY, S48250 |    |
| 70     | S48250075 | 4    | ミシンハリ1965      | NEEDLE, 1965               |    |
| 71     | SA1851080 | 1    | S48250ハリ4コイリクミ | NEEDLE 4PIECE ASSY, S48250 |    |
| 72     | S48250080 | 4    | ミシンハリ1965      | NEEDLE, 1965               |    |
| 73     | 133797101 | 1    | レンケツカンクミ       | CONNECTING ROD ASSY        |    |
| 74     | 119711001 | 2    | レンカン           | CONNECTING ROD             |    |
| 75     | 021060106 | 2    | 1シュナット6        | NUT 1 M6                   |    |
| 76     | 119101001 | 1    | レンカンダキ         | CONNECTING ROD CLAMP       |    |
| 77     | 017841606 | 1    | ボルト794-18X16   | BOLT SM7.94-18X16          |    |
| 78     | 133643006 | 1    | 6カクナット7.94-18  | NUT SM7.94-18              |    |
| 79     | 133793001 | 2    | スタツド           | STUD                       |    |
| 80     | 133794001 | 2    | ホンタイ           | BODY                       |    |
| 81     | 133795001 | 2    | リング            | RING                       |    |
| 82     | 021060106 | 2    | 1シュナット6        | NUT 1 M6                   |    |
| 83     | 028060243 | 2    | バネザガネ2-6       | WASHER, SPRING 2-6         |    |
| 84     | 114859001 | 2    | レンカンカラー        | COLLAR                     |    |

Z-8550A/8560A-910

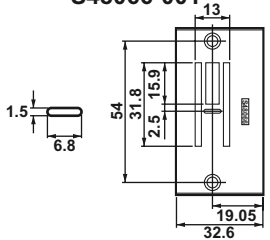
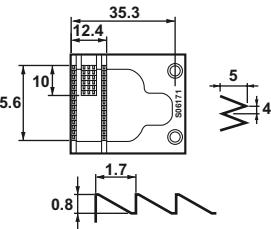
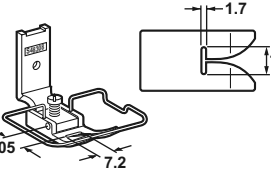
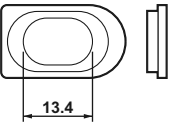
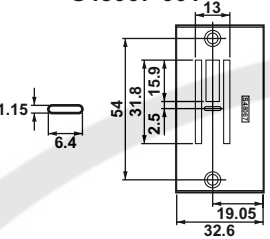
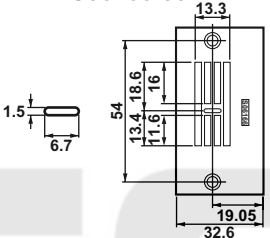
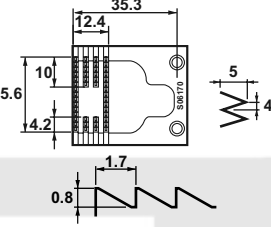
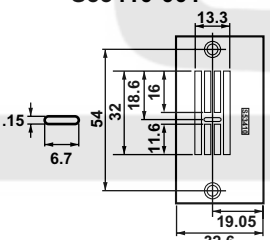
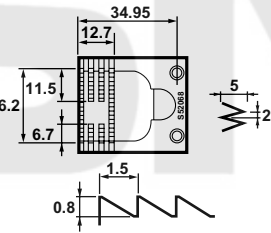
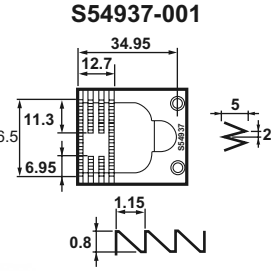
# Ga1 . ゲージ部品一覧表 / Gauge parts list

\* 印の部品は、標準部品です。(\*)印は、仕様によりいずれかの部品が標準部品となります。

The parts indicted with \* are standard parts. One of the parts indicated with (\*) is provided as a standard part according to specification.

| 振幅<br>/ Zigzag<br>width | 針板 / Needle plate   | 送り歯 / Feed dog  | 押え足 / Presser foot assy   | ストッパ / Stopper   |
|-------------------------|---|---|---|--|
| 8mm                     | <p><b>S48064-001</b></p>  <p><b>* S48065-001</b></p>  | <p><b>S48145-101</b></p>  <p><b>S48143-101</b></p>  <p><b>S52435-001</b></p>  <p><b>* S58908-001</b></p>  <p><b>S52436-001</b></p>  | <p><b>* S48293-001</b></p>  <p><b>S48299-001</b></p>  <p><b>S48305-001</b></p>  <p><b>S58950-001</b></p>  <p>(テープガイド付 / With tape guide)</p> | <p><b>* S48073-000</b></p>  <p>(乳白色 / Snow-white color)</p> |
|                         | <p><b>S54922-001</b></p>   | <p><b>S54933-001</b></p>   |   |  |

Ga2 . ゲージ部品一覧表 / Gauge parts list

| 振幅<br>/ Zigzag<br>width | 針板 / Needle plate  | 送り歯 / Feed dog   | 押え足 / Presser foot assy   | ストップパ / Stopper   |
|-------------------------|--|--|---|---|
| 5mm                     | <b>S48066-001</b><br>   | <b>S06171-101</b><br>   | <b>S48308-001</b><br> | <b>S48074-000</b><br><br>( 黒色<br>/ Black color ) |
|                         | <b>S48067-001</b><br>   |  |   |   |
|                         | <b>S06166-001</b><br>  | <b>S06170-101</b><br>  |   |   |
|                         | <b>S53410-001</b><br> | <b>S52068-001</b><br> |   |   |
|                         |  | <b>S54937-001</b><br> |   |   |

Z-8550A/8560A-Ga2








Ga3 . ゲージ部品一覧表 / Gauge parts list

| 振幅<br>/ Zigzag<br>width | 針板 / Needle plate     | 送り歯 / Feed dog        | 押え足 / Presser foot assy | ストッパ / Stopper   |                       |
|-------------------------|-----------------------|-----------------------|-------------------------|--|-----------------------|
| 10mm                    | <b>S50684-001</b><br> | <b>S50686-001</b><br> | <b>S51227-001</b><br>   | <b>S52046-000</b><br><br>( 乳白色<br>/ Snow-white color ) |                       |
|                         | <b>S50685-001</b><br> |                       |                         |  | <b>S51231-001</b><br> |
|                         | <b>S53992-001</b><br> |                       |                         |  | <b>S54933-001</b><br> |
| 3mm                     | <b>S54929-001</b><br> | <b>S54945-001</b><br> | <b>S54956-001</b><br>   | <b>S48075-000</b><br><br>( 青色<br>/ Blue color )        |                       |
|                         | <b>S54930-001</b><br> |                       |                         |  | <b>S54946-001</b><br> |

Z-8550A/8560A-Ga3



Wa. 警告ラベル / Warning labels

| 警告ラベル / Warning labels  | 品名 / Name of parts                            | Size(mm)              | Code              |
|---|---|-----------------------|-------------------|
|    | <p>ラベル感電6ヶ国<br/>Label, elec. shock 6 lang</p> | <p>50 X 118</p>       | <p>J04115-001</p> |
|    | <p>操作注意ラベル・和<br/>Label, operation Jpn.</p>    | <p>40 X 64</p>        | <p>S38350-001</p> |
|    | <p>操作注意ラベル・英<br/>Label, operation Eng.</p>    | <p>40 X 64</p>        | <p>S38349-001</p> |
|  | <p>操作注意ラベル・中<br/>Label, operation Chn.</p>    | <p>40 X 64</p>        | <p>SA5322-001</p> |
|  | <p>ワーニングマーク<br/>Mark, injury</p>              | <p>L=16<br/>R=0.8</p> | <p>S36924-001</p> |
|  | <p>アースマーク<br/>Label, grounding</p>            | <p>φ 12</p>           | <p>S37060-001</p> |
|  | <p>PE マーク<br/>Label, PE</p>                   | <p>7.5 X 12.5</p>     | <p>S37059-001</p> |

## 索引 / INDEX

| CODE      | REF.NO  | Page | CODE      | REF.NO  | Page | CODE      | REF.NO  | Page | CODE      | REF.NO  | Page |
|-----------|---------|------|-----------|---------|------|-----------|---------|------|-----------|---------|------|
| 002304005 | J - 71  | 28   | 025040233 | R - 9   | 48   | 062500616 | J - 32  | 26   | 100887001 | Z - 47  | 54   |
| 012060536 | E - 19  | 12   | 025040332 | J - 45  | 26   |           | J - 34  | 26   | 104449001 | A - 23  | 2    |
|           | E - 49  | 12   | 025050236 | S - 11  | 50   |           | J - 39  | 26   | 104450101 | J - 7   | 26   |
|           | E - 56  | 14   | 025050336 | E - 40  | 12   |           | J - 55  | 28   |           | J - 21  | 26   |
|           | E - 99  | 14   | 025060136 | L - 6   | 32   |           | L - 27  | 32   | 104525101 | K - 36  | 30   |
|           | H1 - 7  | 22   |           | L - 15  | 32   | 062500816 | A - 33  | 2    | 104619022 | F - 5   | 18   |
|           | H1 - 15 | 22   |           | Q1 - 14 | 42   |           | E - 42  | 12   | 104821001 | A - 24  | 2    |
|           | H1 - 44 | 22   | 025100132 | E - 33  | 12   |           | G - 6   | 20   | 105161004 | E - 106 | 14   |
| 012060636 | M1 - 21 | 34   | 025770232 | A - 18  | 2    |           | N - 29  | 38   | 107780001 | Z - 48  | 54   |
| 012400432 | D - 5   | 10   | 026040236 | P - 12  | 40   |           | P - 28  | 40   | 108549001 | E - 4   | 12   |
| 012500536 | B - 33  | 4    |           | Q1 - 10 | 42   |           | P - 30  | 40   |           | E - 23  | 12   |
|           | B - 48  | 4    | 026050136 | Q1 - 18 | 42   |           | S - 12  | 50   | 109714000 | Z - 12  | 54   |
|           | C - 8   | 8    | 028040243 | R - 10  | 48   |           | S - 15  | 50   | 110087001 | R - 6   | 48   |
|           | C - 12  | 8    | 028050244 | Z - 30  | 54   |           | S - 18  | 50   | 110087021 | F - 8   | 18   |
|           | D - 22  | 10   | 028050246 | Q1 - 17 | 42   | 062501016 | J - 10  | 26   | 110562001 | E - 62  | 14   |
|           | E - 15  | 12   | 028060243 | Z - 83  | 56   |           | J - 51  | 28   | 112751003 | M1 - 36 | 34   |
|           | E - 47  | 12   | 034422503 | R - 17  | 48   |           | J - 52  | 28   | 113050001 | D - 9   | 10   |
|           | E - 59  | 14   | 048030342 | P - 16  | 40   |           | M1 - 17 | 34   | 114483002 | Z - 13  | 54   |
|           | E - 67  | 14   | 048040342 | K - 29  | 30   | 062501216 | A - 4   | 2    | 114561001 | B - 56  | 6    |
|           | H1 - 26 | 22   |           | L - 2   | 32   |           | A - 22  | 2    | 114859001 | Z - 84  | 56   |
|           | H1 - 28 | 22   |           | L - 14  | 32   |           | E - 41  | 12   | 114967001 | R - 5   | 48   |
|           | H1 - 30 | 22   | 048050342 | D - 26  | 10   |           | J - 43  | 26   | 114967021 | F - 7   | 18   |
|           | H1 - 33 | 22   | 048060142 | G - 12  | 20   |           | J - 53  | 28   | 115188101 | L - 30  | 32   |
|           | H1 - 35 | 22   |           | N - 20  | 38   |           | Q1 - 16 | 42   | 116662003 | M1 - 16 | 34   |
|           | K - 10  | 30   | 048070342 | M1 - 23 | 34   | 062501404 | Z - 40  | 54   | 116922001 | K - 33  | 30   |
|           | K - 26  | 30   | 048080142 | H1 - 37 | 22   | 062670712 | M2 - 13 | 36   | 117936001 | A - 1   | 2    |
|           | L - 8   | 32   | 048080342 | E - 18  | 12   |           | M2 - 26 | 36   | 118837001 | Z - 42  | 54   |
|           | L - 13  | 32   |           | E - 32  | 12   | 081004070 | D - 17  | 10   | 119101001 | Z - 76  | 56   |
|           | L - 33  | 32   | 048110142 | E - 95  | 14   |           | D - 21  | 10   | 119711001 | Z - 74  | 56   |
|           | M1 - 8  | 34   | 060300606 | S - 6   | 50   | 081004870 | J - 12  | 26   | 120438001 | N - 8   | 38   |
| 014060632 | N - 19  | 38   | 060400516 | P - 14  | 40   | 081005070 | B - 49  | 4    | 122771051 | B - 57  | 6    |
| 014300432 | B - 47  | 4    | 060400816 | A - 25  | 2    | 081008070 | H1 - 10 | 22   | 129458102 | E - 22  | 12   |
| 014400632 | Q1 - 21 | 42   | 060670812 | H1 - 46 | 22   |           | J - 20  | 26   | 133643006 | Z - 78  | 56   |
| 014500536 | N - 2   | 38   | 062020806 | Q1 - 7  | 42   |           | J - 41  | 26   | 133793001 | Z - 79  | 56   |
|           | N - 5   | 38   | 062060816 | E - 84  | 14   | 081008870 | H1 - 25 | 22   | 133794001 | Z - 80  | 56   |
| 014500632 | Q1 - 38 | 42   |           | Q1 - 13 | 42   | 081009070 | E - 79  | 14   | 133795001 | Z - 81  | 56   |
| 014770632 | H1 - 20 | 22   | 062061016 | E - 90  | 14   |           | L - 5   | 32   | 133797101 | Z - 73  | 56   |
|           | H1 - 22 | 22   |           | G - 7   | 20   | 081011870 | J - 50  | 26   | 140553102 | B - 36  | 4    |
| 014781032 | B - 45  | 4    | 062061616 | E - 65  | 14   | 081014670 | H1 - 43 | 22   | 140647101 | C - 15  | 8    |
| 017841606 | Z - 77  | 56   |           | M1 - 24 | 34   | 081014870 | K - 14  | 30   |           | J - 8   | 26   |
| 018061032 | C - 18  | 8    | 062300416 | B - 27  | 4    |           | K - 35  | 30   |           | N - 26  | 38   |
| 018062032 | C - 17  | 8    |           | B - 31  | 4    | 081015070 | H1 - 42 | 22   |           | P - 7   | 40   |
| 018401036 | B - 22  | 4    |           | E - 113 | 16   | 081015870 | J - 37  | 26   | 141544001 | A - 15  | 2    |
|           | B - 24  | 4    |           | E - 114 | 16   | 081022870 | J - 6   | 26   | 142002001 | Z - 44  | 54   |
|           | C - 4   | 8    |           | P - 27  | 40   |           | J - 25  | 26   | 142026003 | R - 2   | 48   |
| 018401232 | N - 18  | 38   |           | Z - 57  | 56   | 0A4261006 | Q1 - 26 | 42   | 142027001 | R - 3   | 48   |
| 018401236 | P - 26  | 40   | 062300616 | E - 107 | 14   | 0A4300806 | Q1 - 24 | 42   | 142374100 | E - 29  | 12   |
| 018501032 | E - 69  | 14   |           | N - 24  | 38   |           | Q1 - 36 | 42   | 142443001 | Z - 41  | 54   |
| 018501636 | E - 45  | 12   |           | P - 6   | 40   | 0A4401006 | Q1 - 34 | 42   | 142628001 | E - 94  | 14   |
| 021060106 | Z - 75  | 56   |           | P - 8   | 40   | 0A4401606 | Q1 - 33 | 42   | 142721001 | Z - 46  | 54   |
|           | Z - 82  | 56   |           | P - 9   | 40   | 0A4501206 | J - 26  | 26   | 142746022 | E - 5   | 12   |
| 021060306 | D - 36  | 10   | 062350616 | E - 78  | 14   | 0A5300606 | Q1 - 30 | 42   |           | E - 24  | 12   |
|           | D - 38  | 10   | 062400616 | C - 16  | 8    | 0A5400806 | J - 5   | 26   | 142990001 | Z - 36  | 54   |
|           | J - 65  | 28   |           | J - 9   | 26   | 100105005 | B - 38  | 4    | 143882001 | Z - 8   | 54   |
|           | M1 - 29 | 34   |           | J - 46  | 26   |           | M2 - 4  | 36   | 143910009 | Z - 9   | 54   |
|           | M1 - 33 | 34   |           | N - 27  | 38   |           | M2 - 17 | 36   | 144226001 | Z - 15  | 54   |
| 021400106 | Q1 - 12 | 42   |           | P - 11  | 40   | 100242003 | A - 6   | 2    | 144504001 | K - 7   | 30   |
| 021400164 | R - 11  | 48   | 062400816 | J - 75  | 28   | 100257010 | M1 - 37 | 34   | 144875001 | H1 - 8  | 22   |
| 021400206 | S - 9   | 50   |           | S - 8   | 50   | 100328001 | E - 25  | 12   | 145318001 | B - 29  | 4    |
| 021500104 | Z - 31  | 54   | 062401006 | R - 8   | 48   | 100402004 | K - 13  | 30   | 145446001 | K - 37  | 30   |
|           | Z - 37  | 54   | 062401016 | A - 19  | 2    |           | K - 40  | 30   | 145446002 | L - 29  | 32   |
| 021500312 | E - 72  | 14   | 062401216 | L - 17  | 32   | 100463001 | R - 4   | 48   | 146039021 | F - 2   | 18   |
| 025030232 | P - 24  | 40   |           | Q1 - 9  | 42   | 100463021 | F - 3   | 18   | 146046000 | R - 14  | 48   |

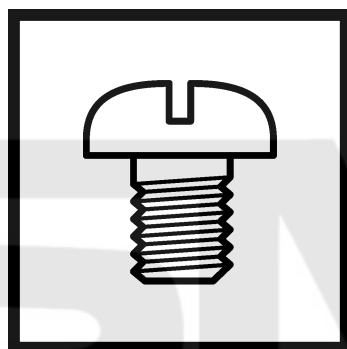
| CODE      | REF.NO  | Page | CODE      | REF.NO  | Page | CODE      | REF.NO  | Page | CODE      | REF.NO  | Page |
|-----------|---------|------|-----------|---------|------|-----------|---------|------|-----------|---------|------|
| 146194000 | R - 15  | 48   | J04470001 | Q3 - 7  | 46   | S25236001 | B - 3   | 4    | S48065001 | Ga1     | 57   |
| 146293001 | J - 67  | 28   | J04480001 | Q1 - 2  | 42   |           | E - 75  | 14   | S48066001 | Ga2     | 58   |
| 148546001 | M1 - 14 | 34   | J04481001 | Q1 - 1  | 42   | S25240001 | E - 74  | 14   | S48067001 | Ga2     | 58   |
| 148559100 | M1 - 19 | 34   | J04517001 | Q2 - 8  | 44   | S25344001 | J - 63  | 28   | S48068001 | B - 54  | 4    |
| 148743001 | E - 81  | 14   | J80967001 | Q2 - 5  | 44   | S25382001 | J - 14  | 26   | S48069001 | B - 55  | 4    |
| 149578000 | J - 58  | 28   | J80968001 | Q2 - 5  | 44   | S25449201 | P - 5   | 40   | S48073000 | B - 59  | 6    |
| 149622001 | E - 7   | 12   | J80970001 | Q2 - 4  | 44   | S25456001 | N - 28  | 38   |           | Ga1     | 57   |
| 149799000 | R - 16  | 48   | J80971001 | Q1 - 27 | 42   |           | P - 17  | 40   | S48074000 | Z - 49  | 54   |
| 150172003 | Z - 25  | 54   | J80972001 | Q1 - 19 | 42   |           | P - 19  | 40   |           | Ga2     | 58   |
| 150173003 | Z - 28  | 54   | J80996001 | Q2 - 1  | 44   | S25469100 | E - 30  | 12   | S48075000 | Ga3     | 59   |
| 150174000 | Z - 22  | 54   | J80997001 | Q2 - 3  | 44   | S25475101 | J - 64  | 28   | S48086001 | K - 15  | 30   |
|           | Z - 26  | 54   | J80998001 | Q2 - 2  | 44   | S25789000 | L - 9   | 32   | S48087001 | K - 16  | 30   |
| 150179002 | Z - 29  | 54   | J81003001 | Q2 - 3  | 44   | S29132001 | K - 28  | 30   | S48088101 | K - 17  | 30   |
| 150182000 | Z - 18  | 54   | S01005000 | Z - 23  | 54   | S31006001 | D - 18  | 10   | S48089000 | K - 18  | 30   |
| 150183000 | Z - 35  | 54   | S02620201 | K - 32  | 30   | S31032001 | K - 39  | 30   | S48090001 | K - 19  | 30   |
| 150206002 | Z - 20  | 54   | S02747101 | Z - 24  | 54   |           | L - 31  | 32   | S48113001 | E - 21  | 12   |
| 150556003 | B - 46  | 4    | S02763502 | Z - 16  | 54   | S31885001 | F - 9   | 18   | S48140001 | E - 112 | 16   |
| 150592001 | A - 26  | 2    | S02778002 | Z - 32  | 54   | S31952001 | D - 16  | 10   | S48143101 | Ga1     | 57   |
| 151148001 | K - 20  | 30   | S02786002 | Z - 33  | 54   | S33610101 | P - 13  | 40   | S48145101 | Ga1     | 57   |
| 151308102 | E - 14  | 12   | S02787002 | Z - 34  | 54   | S34281000 | S - 2   | 50   | S48179001 | H1 - 45 | 22   |
|           | E - 46  | 12   | S03695001 | N - 21  | 38   | S34352101 | E - 86  | 14   | S48180101 | H1 - 48 | 22   |
|           | E - 58  | 14   | S04159000 | Q1 - 8  | 42   | S34756021 | F - 6   | 18   | S48202101 | H1 - 49 | 22   |
| 152873001 | K - 24  | 30   |           | S - 10  | 50   | S35820021 | F - 4   | 18   | S48203001 | H1 - 53 | 22   |
| 153132000 | E - 43  | 12   | S06165001 | B - 53  | 4    | S35821021 | F - 1   | 18   |           | H2 - 5  | 24   |
| 153138001 | G - 11  | 20   | S06166001 | Ga2     | 58   | S36924001 | A - 30  | 2    | S48226001 | M1 - 9  | 34   |
| 154125001 | Z - 45  | 54   | S06170101 | Ga2     | 58   |           | Wa      | 60   | S48229001 | M1 - 15 | 34   |
| 154514001 | Q1 - 11 | 42   | S06171101 | Ga2     | 58   | S37037001 | Z - 39  | 54   | S48230001 | M1 - 22 | 34   |
| 154729001 | G - 2   | 20   | S07027001 | R - 7   | 48   | S37038001 | Z - 38  | 54   | S48234001 | M1 - 34 | 34   |
| 154730001 | G - 3   | 20   | S07030009 | R - 12  | 48   | S37059001 | Q2 - 13 | 44   | S48236201 | M2 - 1  | 36   |
| 154731000 | G - 4   | 20   | S07031009 | R - 13  | 48   |           | Wa      | 60   | S48238001 | M2 - 2  | 36   |
| 155103001 | M2 - 12 | 36   | S07045009 | R - 1   | 48   | S37060001 | A - 31  | 2    |           | M2 - 15 | 36   |
|           | M2 - 25 | 36   | S07350001 | D - 25  | 10   |           | Q2 - 14 | 44   | S48239001 | M2 - 3  | 36   |
| 156112003 | Z - 27  | 54   | S07374109 | E - 36  | 12   |           | Wa      | 60   |           | M2 - 16 | 36   |
| 158045009 | A - 14  | 2    | S07494001 | E - 116 | 16   | S38349001 | A - 28  | 2    | S48240001 | M2 - 5  | 36   |
| 158047009 | A - 13  | 2    | S07783001 | Z - 43  | 54   |           | Wa      | 60   |           | M2 - 18 | 36   |
| 159805001 | K - 34  | 30   | S09477001 | H1 - 50 | 22   | S38350001 | A - 27  | 2    | S48242001 | M2 - 7  | 36   |
| 180721001 | H1 - 51 | 22   |           | H2 - 2  | 24   |           | Wa      | 60   |           | M2 - 20 | 36   |
|           | H2 - 3  | 24   | S09634000 | Z - 5   | 54   | S38648001 | Z - 21  | 54   | S48246001 | M2 - 11 | 36   |
| 183307001 | H1 - 21 | 22   | S12441001 | K - 38  | 30   | S38687000 | S - 16  | 50   |           | M2 - 24 | 36   |
| 183507001 | H1 - 52 | 22   |           | L - 32  | 32   | S38712001 | B - 10  | 4    | S48247001 | M2 - 6  | 36   |
|           | H2 - 4  | 24   | S17774001 | Z - 1   | 54   | S38713100 | B - 11  | 4    |           | M2 - 19 | 36   |
| 625010000 | J - 74  | 28   | S18291001 | B - 60  | 6    | S38744101 | Q1 - 5  | 42   | S48250070 | Z - 68  | 56   |
| J03939001 | Q2 - 11 | 44   | S20356001 | E - 17  | 12   | S39051001 | D - 19  | 10   | S48250075 | Z - 70  | 56   |
| J03955001 | Q1 - 20 | 42   | S21514101 | E - 3   | 12   | S41205001 | P - 4   | 40   | S48250080 | Z - 72  | 56   |
| J03956001 | Q1 - 22 | 42   | S23418002 | L - 19  | 32   | S41206001 | P - 3   | 40   | S48260001 | P - 25  | 40   |
| J03957001 | Q1 - 23 | 42   | S23616101 | D - 3   | 10   | S41207000 | P - 18  | 40   | S48281001 | D - 1   | 10   |
| J03958001 | Q1 - 25 | 42   |           | E - 109 | 14   | S45563001 | K - 5   | 30   | S48285001 | D - 12  | 10   |
| J03961001 | Q1 - 31 | 42   | S23651001 | B - 4   | 4    | S47433201 | E - 1   | 12   |           | Z - 6   | 54   |
| J03962001 | Q1 - 32 | 42   |           | B - 6   | 4    |           | E - 20  | 12   | S48286001 | D - 13  | 10   |
| J03964001 | Q1 - 37 | 42   |           | B - 8   | 4    | S47487001 | J - 27  | 26   |           | Z - 6   | 54   |
| J03983001 | Q1 - 28 | 42   |           | B - 13  | 4    | S47509001 | J - 29  | 26   | S48293001 | D - 6   | 10   |
| J03984001 | Q1 - 29 | 42   |           | E - 13  | 12   | S48006001 | A - 5   | 2    |           | Ga1     | 57   |
| J04086001 | Q3 - 1  | 46   |           | E - 28  | 12   | S48008000 | A - 8   | 2    | S48297001 | D - 7   | 10   |
| J04093001 | Q3 - 3  | 46   |           | E - 51  | 12   | S48010301 | A - 11  | 2    |           | Z - 52  | 56   |
| J04096001 | Q3 - 5  | 46   |           | E - 93  | 14   | S48011101 | A - 12  | 2    | S48298001 | D - 8   | 10   |
| J04100001 | Q2 - 10 | 44   |           | G - 9   | 20   | S48012201 | A - 17  | 2    |           | Z - 53  | 56   |
| J04115001 | Q2 - 12 | 44   |           | H1 - 4  | 22   | S48036001 | B - 15  | 4    | S48299001 | Ga1     | 57   |
|           | Wa      | 60   |           | H1 - 17 | 22   | S48037001 | B - 16  | 4    | S48305001 | Ga1     | 57   |
| J04134001 | Q3 - 4  | 46   |           | M1 - 2  | 34   | S48041001 | B - 18  | 4    | S48308001 | Ga2     | 58   |
| J04149001 | Q3 - 6  | 46   |           | M1 - 5  | 34   |           | B - 51  | 4    | S48313001 | N - 9   | 38   |
| J04296001 | Q1 - 35 | 42   | S23849001 | E - 104 | 14   | S48063001 | B - 50  | 4    | S48314000 | N - 11  | 38   |
| J04425001 | Q2 - 7  | 44   | S24740001 | D - 11  | 10   | S48064001 | Ga1     | 57   | S48315001 | N - 13  | 38   |
| J04469001 | Q3 - 2  | 46   | S25235001 | B - 2   | 4    | S48065001 | B - 52  | 4    | S48363001 | Z - 4   | 54   |

## 索引 / INDEX

| CODE      | REF.NO  | Page | CODE      | REF.NO  | Page | CODE      | REF.NO  | Page | CODE      | REF.NO  | Page |
|-----------|---------|------|-----------|---------|------|-----------|---------|------|-----------|---------|------|
| S48367000 | E - 39  | 12   | SA1175001 | D - 15  | 10   | SA2636001 | K - 25  | 30   | SA4958001 | E - 11  | 12   |
| S48370001 | K - 21  | 30   | SA1177001 | D - 28  | 10   | SA2642001 | M1 - 6  | 34   | SA4959001 | E - 12  | 12   |
| S48371070 | B - 39  | 4    | SA1179001 | D - 30  | 10   | SA2644001 | M1 - 7  | 34   | SA4961001 | E - 27  | 12   |
|           | Z - 2   | 54   |           | D - 32  | 10   | SA2647001 | M1 - 10 | 34   | SA4963001 | E - 31  | 12   |
|           | Z - 62  | 56   |           | J - 69  | 28   | SA2659001 | M1 - 18 | 34   | SA4966001 | E - 44  | 12   |
| S48371075 | Z - 64  | 56   | SA1181001 | D - 20  | 10   | SA2663001 | M1 - 28 | 34   | SA4967001 | E - 48  | 12   |
| S48371080 | Z - 66  | 56   | SA1207001 | E - 34  | 12   | SA2669001 | M1 - 30 | 34   | SA4968001 | E - 50  | 12   |
| S48378101 | H2 - 1  | 24   | SA1229101 | K - 23  | 30   | SA2689001 | P - 29  | 40   |           | M1 - 4  | 34   |
| S50098101 | E - 26  | 12   | SA1242001 | E - 110 | 16   |           | S - 13  | 50   | SA4969001 | E - 52  | 12   |
| S50114001 | D - 39  | 10   | SA1303001 | J - 19  | 26   | SA2992001 | G - 10  | 20   | SA4970001 | E - 53  | 12   |
| S50115001 | D - 40  | 10   |           | J - 40  | 26   | SA3025001 | Q1 - 41 | 42   | SA4971001 | E - 54  | 12   |
| S50116001 | D - 41  | 10   | SA1306001 | J - 22  | 26   | SA3067001 | E - 38  | 12   |           | H1 - 6  | 22   |
| S50390101 | K - 12  | 30   | SA1307001 | J - 23  | 26   | SA3508001 | J - 66  | 28   |           | H1 - 13 | 22   |
|           | K - 31  | 30   | SA1309001 | J - 28  | 26   | SA3797001 | Q2 - 9  | 44   | SA4972001 | E - 55  | 12   |
| S50684001 | Ga3     | 59   | SA1313101 | J - 38  | 26   | SA3980001 | D - 31  | 10   | SA4974001 | E - 60  | 14   |
| S50685001 | Ga3     | 59   | SA1324001 | J - 60  | 28   | SA4098001 | S - 3   | 50   | SA4980001 | E - 61  | 14   |
| S50686001 | Ga3     | 59   | SA1325001 | J - 61  | 28   | SA4099001 | S - 4   | 50   | SA4981001 | E - 63  | 14   |
| S51227001 | Ga3     | 59   | SA1326101 | J - 62  | 28   | SA4211001 | Q1 - 40 | 42   | SA4982001 | E - 64  | 14   |
| S51231001 | Ga3     | 59   | SA1359001 | L - 34  | 32   | SA4241001 | E - 8   | 12   | SA4983001 | E - 68  | 14   |
| S51272100 | J - 36  | 26   | SA1360101 | L - 26  | 32   | SA4265001 | J - 1   | 26   | SA4984001 | E - 70  | 14   |
| S51282101 | Z - 19  | 54   | SA1383001 | Q1 - 6  | 42   | SA4897001 | A - 2   | 2    | SA4985001 | E - 71  | 14   |
| S51283001 | Z - 17  | 54   | SA1384001 | Q1 - 3  | 42   | SA4898001 | A - 3   | 2    |           | M1 - 11 | 34   |
| S51395001 | N - 7   | 38   | SA1385001 | Q1 - 4  | 42   | SA4899001 | A - 7   | 2    | SA4987001 | E - 73  | 14   |
| S51815001 | J - 2   | 26   | SA1390001 | S - 5   | 50   | SA4900001 | A - 10  | 2    | SA4988001 | E - 76  | 14   |
|           | J - 15  | 26   | SA1394001 | S - 14  | 50   | SA4901001 | A - 20  | 2    | SA4989001 | E - 77  | 14   |
|           | J - 24  | 26   | SA1396001 | P - 2   | 40   | SA4902001 | A - 21  | 2    | SA4990001 | E - 80  | 14   |
| S52015201 | A - 16  | 2    | SA1399201 | G - 1   | 20   | SA4903001 | A - 32  | 2    | SA4991001 | E - 82  | 14   |
| S52046000 | Ga3     | 59   | SA1742010 | Z - 60  | 56   | SA4904001 | B - 1   | 4    | SA4992001 | E - 83  | 14   |
| S52068001 | Ga2     | 58   |           | Z - 61  | 56   | SA4908001 | B - 14  | 4    | SA4993101 | E - 87  | 14   |
| S52435001 | Ga1     | 57   | SA1742011 | Z - 63  | 56   | SA4909001 | B - 17  | 4    | SA4994001 | E - 88  | 14   |
| S52436001 | Ga1     | 57   | SA1742012 | Z - 65  | 56   | SA4910001 | B - 19  | 4    | SA4995001 | E - 89  | 14   |
| S52764001 | H1 - 9  | 22   | SA1851070 | Z - 67  | 56   | SA4912001 | B - 20  | 4    | SA4996001 | E - 91  | 14   |
| S53410001 | Ga2     | 58   | SA1851075 | Z - 69  | 56   | SA4913001 | B - 23  | 4    | SA4997001 | E - 92  | 14   |
| S53825001 | E - 66  | 14   | SA1851080 | Z - 71  | 56   | SA4915001 | B - 28  | 4    | SA4998001 | E - 96  | 14   |
| S53992001 | Ga3     | 59   | SA1963001 | Z - 11  | 54   | SA4916001 | B - 30  | 4    | SA4999001 | E - 97  | 14   |
| S54922001 | Ga1     | 57   | SA1971101 | L - 1   | 32   | SA4922001 | B - 34  | 4    | SA5001001 | E - 98  | 14   |
| S54929001 | Ga3     | 59   | SA1975001 | L - 3   | 32   | SA4923001 | B - 35  | 4    | SA5003001 | E - 100 | 14   |
| S54930001 | Ga3     | 59   | SA1978001 | L - 4   | 32   | SA4924001 | B - 37  | 4    | SA5006001 | E - 105 | 14   |
| S54933001 | Ga1     | 57   | SA1980001 | L - 7   | 32   | SA4926001 | B - 41  | 4    | SA5007001 | H1 - 5  | 22   |
|           | Ga3     | 59   | SA1981101 | L - 10  | 32   | SA4928001 | B - 58  | 6    | SA5008001 | E - 108 | 14   |
| S54937001 | Ga2     | 58   | SA1982101 | L - 11  | 32   | SA4929001 | C - 1   | 8    | SA5009001 | E - 111 | 16   |
| S54945001 | Ga3     | 59   | SA1983001 | L - 12  | 32   | SA4930001 | C - 2   | 8    | SA5010001 | E - 102 | 14   |
| S54946001 | Ga3     | 59   | SA1984001 | L - 16  | 32   | SA4931001 | C - 5   | 8    | SA5015001 | E - 103 | 14   |
| S54956001 | Ga3     | 59   | SA1985001 | L - 18  | 32   | SA4932001 | C - 6   | 8    | SA5016001 | E - 101 | 14   |
| S54957001 | Ga3     | 59   | SA1988001 | L - 20  | 32   |           | E - 57  | 14   | SA5018001 | G - 5   | 20   |
| S55663001 | Z - 14  | 54   | SA1989001 | L - 21  | 32   | SA4933001 | C - 7   | 8    | SA5019001 | G - 8   | 20   |
| S55863001 | M2 - 8  | 36   | SA1990101 | L - 22  | 32   | SA4934001 | C - 9   | 8    | SA5020001 | H1 - 2  | 22   |
| S55864001 | M2 - 9  | 36   | SA1991001 | L - 23  | 32   | SA4935001 | C - 10  | 8    | SA5021001 | H1 - 1  | 22   |
|           | M2 - 22 | 36   | SA1992101 | L - 25  | 32   | SA4936001 | C - 11  | 8    | SA5022001 | H1 - 3  | 22   |
| S55865001 | M2 - 10 | 36   | SA1998001 | S - 17  | 50   | SA4937001 | C - 13  | 8    | SA5027001 | H1 - 12 | 22   |
|           | M2 - 23 | 36   | SA2165001 | D - 33  | 10   | SA4938001 | C - 14  | 8    | SA5028001 | H1 - 14 | 22   |
| S58908001 | E - 115 | 16   | SA2190001 | L - 24  | 32   | SA4940001 | D - 2   | 10   | SA5029001 | H1 - 16 | 22   |
|           | Ga1     | 57   | SA2250001 | B - 9   | 4    | SA4941001 | D - 4   | 10   | SA5030001 | H1 - 18 | 22   |
| S58941001 | M2 - 14 | 36   | SA2270001 | S - 1   | 50   | SA4943001 | D - 24  | 10   | SA5031001 | H1 - 19 | 22   |
| S58943001 | M2 - 21 | 36   | SA2354001 | Q1 - 39 | 42   | SA4944001 | D - 23  | 10   | SA5033001 | H1 - 23 | 22   |
| S58950001 | Z - 51  | 56   | SA2355001 | Z - 58  | 56   | SA4945001 | D - 27  | 10   | SA5034001 | H1 - 24 | 22   |
|           | Ga1     | 57   | SA2357001 | Z - 59  | 56   | SA4947001 | D - 29  | 10   | SA5037001 | H1 - 27 | 22   |
| S58953001 | Z - 54  | 56   | SA2358101 | K - 8   | 30   | SA4948001 | D - 34  | 10   |           | H1 - 34 | 22   |
| S58954001 | Z - 55  | 56   | SA2363001 | K - 6   | 30   | SA4949001 | D - 37  | 10   | SA5040001 | H1 - 29 | 22   |
| S58955001 | Z - 56  | 56   | SA2377001 | E - 85  | 14   | SA4951001 | E - 2   | 12   | SA5043001 | H1 - 31 | 22   |
| SA1120001 | B - 5   | 4    | SA2378001 | M1 - 3  | 34   | SA4952001 | E - 6   | 12   | SA5044001 | H1 - 32 | 22   |
| SA1140001 | B - 7   | 4    | SA2404001 | B - 12  | 4    | SA4954001 | E - 9   | 12   | SA5045101 | H1 - 36 | 22   |
| SA1174001 | D - 14  | 10   | SA2541001 | E - 37  | 12   | SA4957001 | E - 10  | 12   | SA5048101 | H1 - 40 | 22   |

| CODE      | REF.NO | Page | CODE      | REF.NO | Page | CODE | REF.NO | Page | CODE | REF.NO | Page |
|-----------|--------|------|-----------|--------|------|------|--------|------|------|--------|------|
| SA5049101 | H1 -41 | 22   | SA6167001 | K -9   | 30   |      |        |      |      |        |      |
| SA5051101 | J -48  | 26   | SA6219001 | B -32  | 4    |      |        |      |      |        |      |
| SA5062001 | J -3   | 26   | SA6227001 | E -16  | 12   |      |        |      |      |        |      |
| SA5063001 | J -4   | 26   | SA6239001 | N -3   | 38   |      |        |      |      |        |      |
| SA5065101 | J -11  | 26   |           | N -6   | 38   |      |        |      |      |        |      |
| SA5067001 | J -13  | 26   | SA6274001 | B -42  | 4    |      |        |      |      |        |      |
| SA5070001 | J -16  | 26   | SA6275001 | C -3   | 8    |      |        |      |      |        |      |
| SA5071001 | J -17  | 26   | SA6364001 | Q2 -6  | 44   |      |        |      |      |        |      |
|           | J -30  | 26   | SA6367001 | H1 -11 | 22   |      |        |      |      |        |      |
| SA5072001 | J -18  | 26   | SA6444001 | H1 -54 | 22   |      |        |      |      |        |      |
| SA5073001 | J -17  | 26   | SA6486001 | B -44  | 4    |      |        |      |      |        |      |
| SA5076001 | J -35  | 26   | SA6487001 | B -40  | 4    |      |        |      |      |        |      |
| SA5078001 | J -42  | 26   | SA6488001 | B -43  | 4    |      |        |      |      |        |      |
| SA5079001 | J -44  | 26   | SA6568001 | P -1   | 40   |      |        |      |      |        |      |
| SA5080001 | J -56  | 28   | SA6569101 | P -20  | 40   |      |        |      |      |        |      |
| SA5081001 | J -57  | 28   | SA6570001 | P -21  | 40   |      |        |      |      |        |      |
| SA5082001 | J -59  | 28   | SA6588001 | P -22  | 40   |      |        |      |      |        |      |
| SA5083001 | J -68  | 28   | SA6631001 | P -23  | 40   |      |        |      |      |        |      |
| SA5084001 | K -1   | 30   | SA6643001 | J -70  | 28   |      |        |      |      |        |      |
| SA5085101 | K -3   | 30   | SA6644001 | J -72  | 28   |      |        |      |      |        |      |
| SA5086001 | K -4   | 30   | SA6645001 | J -73  | 28   |      |        |      |      |        |      |
| SA5087001 | N -10  | 38   | SA6646001 | J -54  | 28   |      |        |      |      |        |      |
| SA5088101 | K -11  | 30   | SA7147001 | D -10  | 10   |      |        |      |      |        |      |
| SA5089001 | K -22  | 30   | SA7148001 | H1 -38 | 22   |      |        |      |      |        |      |
| SA5090001 | K -27  | 30   | SA7153001 | H1 -39 | 22   |      |        |      |      |        |      |
| SA5091001 | L -28  | 32   | SA7232001 | N -23  | 38   |      |        |      |      |        |      |
| SA5092001 | M1 -1  | 34   | SA7248001 | N -25  | 38   |      |        |      |      |        |      |
| SA5094001 | M1 -12 | 34   | SA7251001 | T -1   | 52   |      |        |      |      |        |      |
| SA5095001 | M1 -20 | 34   | SA7327001 | E -35  | 12   |      |        |      |      |        |      |
| SA5096001 | M1 -25 | 34   | SA7329001 | Z -7   | 54   |      |        |      |      |        |      |
| SA5097001 | M1 -26 | 34   | SA7439001 | K -30  | 30   |      |        |      |      |        |      |
| SA5098001 | M1 -27 | 34   | SA7440001 | K -41  | 30   |      |        |      |      |        |      |
| SA5099101 | M1 -31 | 34   |           |        |      |      |        |      |      |        |      |
| SA5100101 | M1 -32 | 34   |           |        |      |      |        |      |      |        |      |
| SA5101001 | M1 -35 | 34   |           |        |      |      |        |      |      |        |      |
| SA5102001 | N -1   | 38   |           |        |      |      |        |      |      |        |      |
| SA5103001 | N -4   | 38   |           |        |      |      |        |      |      |        |      |
| SA5104001 | N -12  | 38   |           |        |      |      |        |      |      |        |      |
| SA5105001 | N -14  | 38   |           |        |      |      |        |      |      |        |      |
| SA5106001 | N -15  | 38   |           |        |      |      |        |      |      |        |      |
| SA5107001 | N -16  | 38   |           |        |      |      |        |      |      |        |      |
| SA5108001 | N -17  | 38   |           |        |      |      |        |      |      |        |      |
| SA5109101 | N -22  | 38   |           |        |      |      |        |      |      |        |      |
| SA5115101 | P -10  | 40   |           |        |      |      |        |      |      |        |      |
| SA5120101 | P -15  | 40   |           |        |      |      |        |      |      |        |      |
| SA5123001 | S -7   | 50   |           |        |      |      |        |      |      |        |      |
| SA5124001 | A -9   | 2    |           |        |      |      |        |      |      |        |      |
|           | K -2   | 30   |           |        |      |      |        |      |      |        |      |
| SA5125001 | B -21  | 4    |           |        |      |      |        |      |      |        |      |
| SA5126001 | H1 -47 | 22   |           |        |      |      |        |      |      |        |      |
|           | Z -3   | 54   |           |        |      |      |        |      |      |        |      |
| SA5128001 | Z -50  | 56   |           |        |      |      |        |      |      |        |      |
| SA5258001 | Q1 -15 | 42   |           |        |      |      |        |      |      |        |      |
| SA5322001 | A -29  | 2    |           |        |      |      |        |      |      |        |      |
|           | Wa     | 60   |           |        |      |      |        |      |      |        |      |
| SA5416001 | D -35  | 10   |           |        |      |      |        |      |      |        |      |
| SA6023101 | J -49  | 26   |           |        |      |      |        |      |      |        |      |
| SA6092001 | B -26  | 4    |           |        |      |      |        |      |      |        |      |
| SA6093001 | B -25  | 4    |           |        |      |      |        |      |      |        |      |
| SA6094001 | J -31  | 26   |           |        |      |      |        |      |      |        |      |
| SA6095001 | J -33  | 26   |           |        |      |      |        |      |      |        |      |
| SA6096001 | M1 -13 | 34   |           |        |      |      |        |      |      |        |      |
| SA6165001 | J -47  | 26   |           |        |      |      |        |      |      |        |      |

brother®



パーツブック  
PARTS BOOK

**ブラザー工業株式会社** <http://www.brother.co.jp/>

〒467-8561 名古屋市瑞穂区苗代町 15 番 1 号 TEL (052) 824-2392

**BROTHER INDUSTRIES, LTD.** <http://www.brother.com/>

15-1, Naeshiro-cho, Mizuho-ku, Nagoya 467-8561, Japan. Phone : 81-52-824-2177

©2005 Brother Industries, Ltd. All Rights Reserved.

Z-8550A, 8560A  
SA6036-001.J/E  
2005.09.B (1)