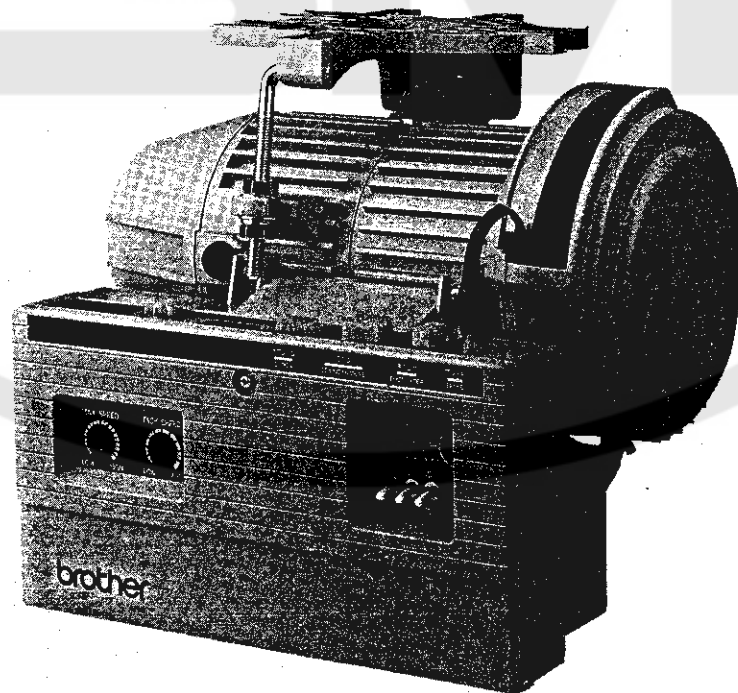



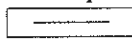
**D.C. MOTOR
MOTOR D.C.
LE MOTEUR D.C.
EL MOTOR D.C.**

**MD-806, 807 (Single-Phase Type)
MD-816, 817 (Three-Phase Type)**

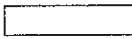
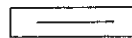
**PARTS BOOK
TEILEKATALOG
LIVRE DES PIECES
LIBRO DE REFERENCIA DE PIEZAS**



Notes for using this parts book

1. If the symbol  is found in the "Parts No." column of the "Assembly No." column, refer to the different parts list on page 15.
2. The symbol  in the "Parts No." column indicates that the parts is not available for supply. If, however, there is a number in the "Assembly No." column, the parts can be ordered as an assembly. Please, therefore, order by using the assembly number.
3. This book was prepared based on information available in March 1993.
4. Parts are subject to changes in design without prior notice.

Anmerkungen zum Gebrauch dieses Stücklistebuches

1. Dieses Zeichen  in der Spalte "Parts No. (Teilnummer)" oder "Assembly No. (Gerätesatznummer)" verweist auf die Gesonderte Stückliste auf Seite 15.
2. Dieses Zeichen  in der Spalte "Teilnummer" bedeutet, daß dieser Teil nicht lieferbar ist. Wenn jedoch in der Spalte "Gerätesatznummer" eine Nummer steht, kann dieser Teil als ein Geräteteilsatz bestellt werden. Bestellen Sie daher bitte mit dieser Gerätesatznummer.
3. Dieses Buch basiert auf den Informationen vom März 1993.
4. Modelländerungen sind vorbehalten.


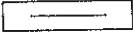
CONTENTS

A . Motor mechanism (1)	1
A . Motor mechanism (2)	2
B . Control box (Mark II, NBN, BAST, P62, P64, C51, P73, P81, COV)	3
C . Control box (APM, B845-900S, ABL, SBL)	5
D . Control box (B7380, B7910, B7740, B8450)	7
E . Operation panel, switch box mechanism ...	9
F . Material edge sensor related (option) (1) ..	11
G . Material edge sensor related (option) (2) ..	12
H . Production counter, pedal for standing operation	13
DIFFERENT PARTS LIST, CONTROL BOX FOR SUPPLY LIST	15
INDEX	35

INHALTSVERZEICHNIS

A . Motors (1)	1
A . Motors (2)	2
B . Schaltkasten (Mark II, NBN, BAST, P62, P64, C51, P73, P81, COV)	3
C . Schaltkasten (APM, B845-900S, ABL, SBL)	5
D . Schaltkasten (B7380, B7910, B7740, B8450)	7
E . Schaltkasten	9
F . Für Materialkantensensor (Sonderausstattung) (1)	11
G . Für Materialkantensensor (Sonderausstattung) (2)	12
H . Stückzähler Fusstritt für stehenden Arbeitsplatz	13
ZUBEHÖRLISTE	15
VERZEICHNIS	35

Notes sur l'utilisation de ce manuel de pièces détachées

1. Si le symbole  se trouve dans la colonne "Parts No. (N° de pièce)" ou dans la colonne "Assembly No. (N° jeu de pièces)", veuillez vous référer à la liste de pièces annexe page 15.
2. Le symbole  dans la colonne "N° de pièce" signifie que la pièce ne peut être fournie. Si, dans la colonne "N° jeu de pièces", il y a un numéro de nomenclature, la pièce peut être commandée comme faisant partie d'un jeu de pièces. Donc, pour toute commande, veuillez spécifier le n° du jeu de pièces.
3. Ce manuel a été fait d'après les renseignements valables au mois de Mars 1993.
4. Les pièces peuvent être sujettes à des modifications sans préavis.

Notas para usar este Libro de Piezas

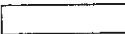
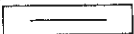
1. De haber un símbolo  junto al "Parts No. (Número de Pieza)" o en la columna del "Assembly No. (Número de juego)", habrá que mirar la lista de piezas separada de la página 15.
2. El símbolo , que se encuentra en la columna del "Número de Pieza", quiere decir que no se dispone de dicha pieza sola. Cuando, empero, hay un número en la columna del "Número de Juego", se podrá ordenar la pieza con todo el juego. Por lo tanto, será mejor hacer el pedido recurriendo al número del juego respectivo.
3. Este libro ha sido compilado basándose en los datos de que se disponía en Marzo 1993.
4. Las piezas quedan sujetas a cambios de diseño sin aviso previo.

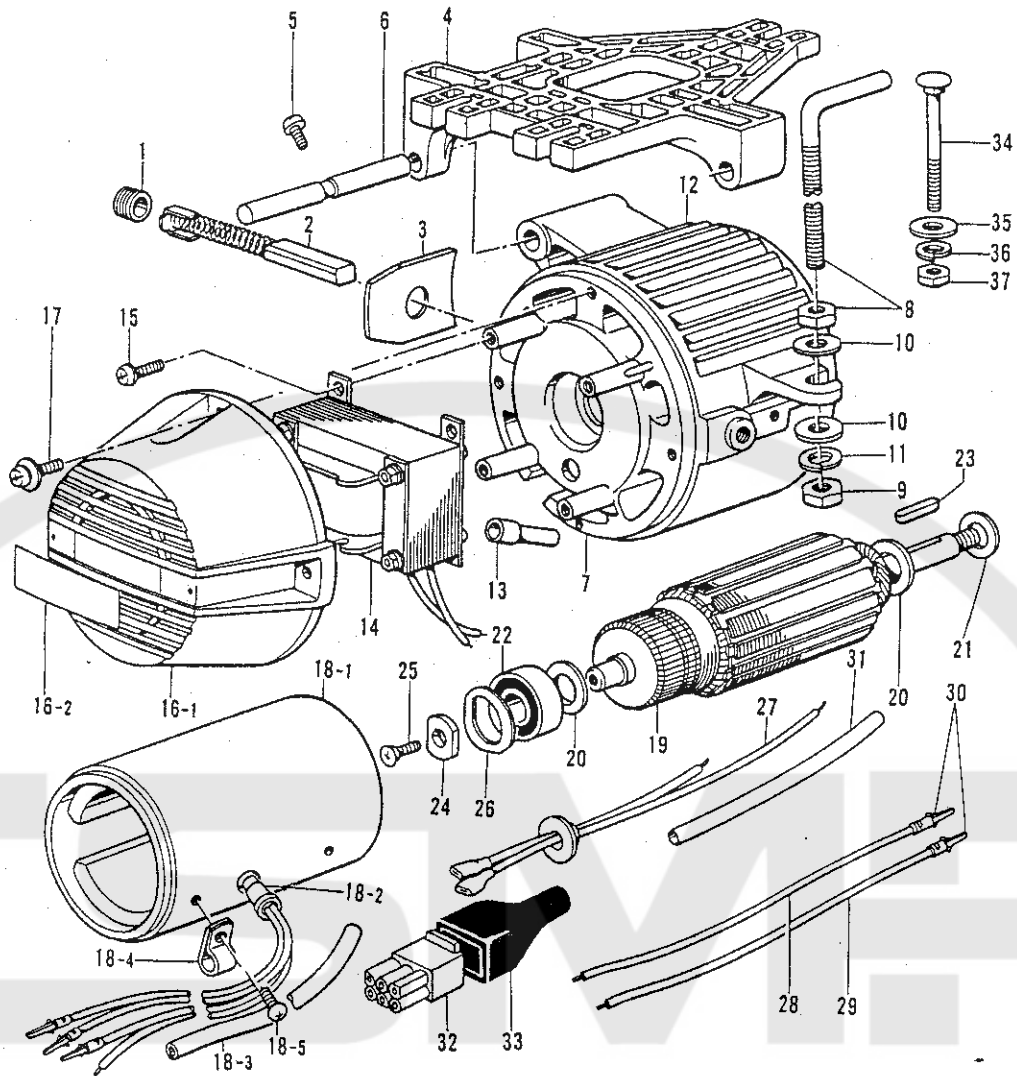
TABLE DES MATIERES

A . Mécanisme du moteur (1)	1
A . Mécanisme du moteur (2)	2
B . Mécanisme du boîtier de contrôle (Mark II, NBN, BAST, P62, P64, C51, P73, P81, COV)	3
C . Mécanisme du boîtier de contrôle (APM, B845-900S, ABL, SBL)	5
D . Mécanisme du boîtier de contrôle (B7380, B7910, B7740, B8450)	7
E . Boîtier d'interrupteurs	9
F . Capteur de bord de tissu relatif (en option) (1)	11
G . Capteur de bord de tissu relatif (en option) (2)	12
H . Compteur de-production pédale pour opération en station debo	13
LISTE DES PIECES ACCESSOIRES	15
INDEX	35

INDICA

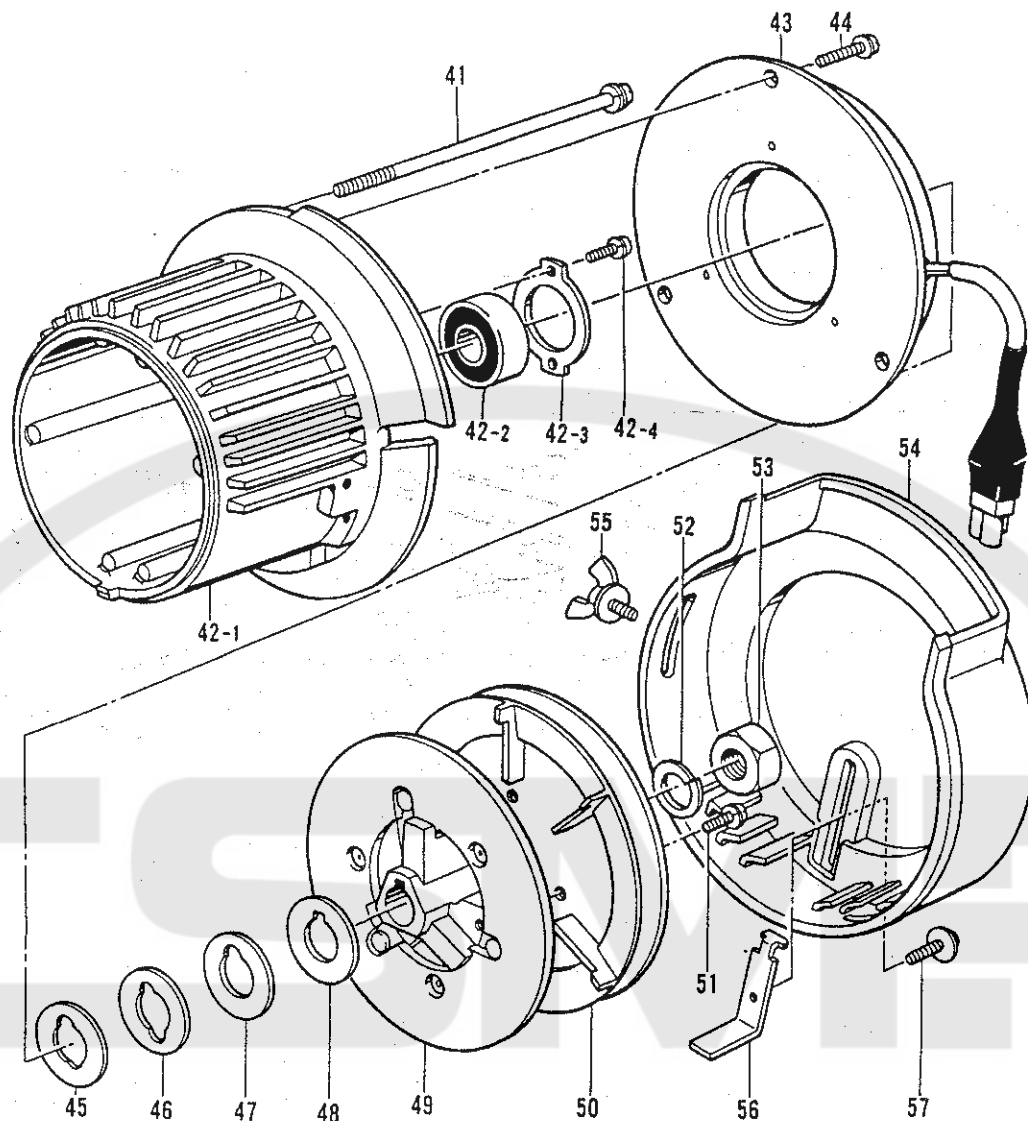
A . Mecanismo del motors (1)	1
A . Mecanismo del motors (2)	2
B . Mecanismo del caja de controles (Mark II, NBN, BAST, P62, P64, C51, P73, P81, COV)	3
C . Mecanismo del caja de controles (APM, B845-900S, ABL, SBL)	5
D . Mecanismo del caja de controles (B7380, B7910, B7740, B8450)	7
E . Caja de interruptores	9
F . Piezas relacionadas al detector de borde de tejidos (opcional) (1)	11
G . Piezas relacionadas al detector de borde de tejidos (opcional) (2)	12
H . Contador de producción pedal para operar de pie	13
LISTA DE PIEZAS ACCESORIAS	15
INDICE	35

A. Motor mechanism (1) / Motors (1) /
 Mécanisme du moteur (1) / Mecanismo del motors (1)



REF. NO.	CODE	Q' TY	NAME OF PARTS	REF. NO.	CODE	Q' TY	NAME OF PARTS
1	224475-001	2	HOLDER CAP	18-4	224504-001	1	CODE HOLDER #7
2	226992-001	1	MD CARBON BRUSH ASSY	18-5	008400-805	1	SCREW 4X8
3	224476-000	2	INSULATION SHEET	19	*	1	ROTOR
4	J00107-001	1	MD806 BASE #2	20	224485-000	2	WASHER 2X15X22ST
5	062061-005	1	SCREW 6X10	21	224487-000	1	WASHER 2.3X15X26ST
6	224540-001	1	PIN 9.3X83	22	076202-801	1	BEARING 6202ZZ #2
7	J00109-001	1	DC BRACKET ASSY(L) #3	23	231008-001	1	KEY 5X5X20
8	210965-081	1	BOLT(L) 10 ASSY	24	231009-001	1	WASHER 2.3X6.9X22ST
9	021100-206	1	NUT 2-10	25	214897-001	1	SCREW 5X12F
10	025100-236	2	PLAIN WASHER 10	26	203684-001	1	WAVE WASHER
11	028100-246	1	SPRING WASHER 2-10	27	J00146-001	1	REACTED CODE ASSY #2
12	*	1	MD MOTOR ASSY	28	J00148-001	1	TERMINAL CODE (BLUE)
13	J00074-001	2	CONNECT TERMINAL CE2	29	J00147-001	1	TERMINAL CODE (RED)
14	228221-001	1	REACTOR 35 MH ASSY #2	30	217133-001	1	PLUG PIN PM-75
15	215080-001	2	SCREW 4X10D	31	J00149-001	1	TUBE 11X300PV
16-1	J00112-001	1	DC REACTOR COVER #3	32	219582-001	1	6P PLUG PM-N
16-2	—	1	NAME PLATE	33	219603-001	1	PLUG COVER #11
17	215081-001	1	SCREW 4X10D	34	222372-001	3	BOLT 8X70
18	230431-001	1	FRAME ASSY #2	35	213650-001	3	WASHER 2.3X8.5X38ST
18-1	230432-001	1	YOKE ASSY #3	36	028080-246	3	SPRING WASHER 2-8
18-2	229335-001	1	THERMISTER #5	37	021080-206	3	NUT 2-8
18-3	226671-001	1	TUBE 150X65				

A. Motor mechanism (2) / Motors (2) /
 Mécanisme du moteur (2) / Mecanismo del motors (2)

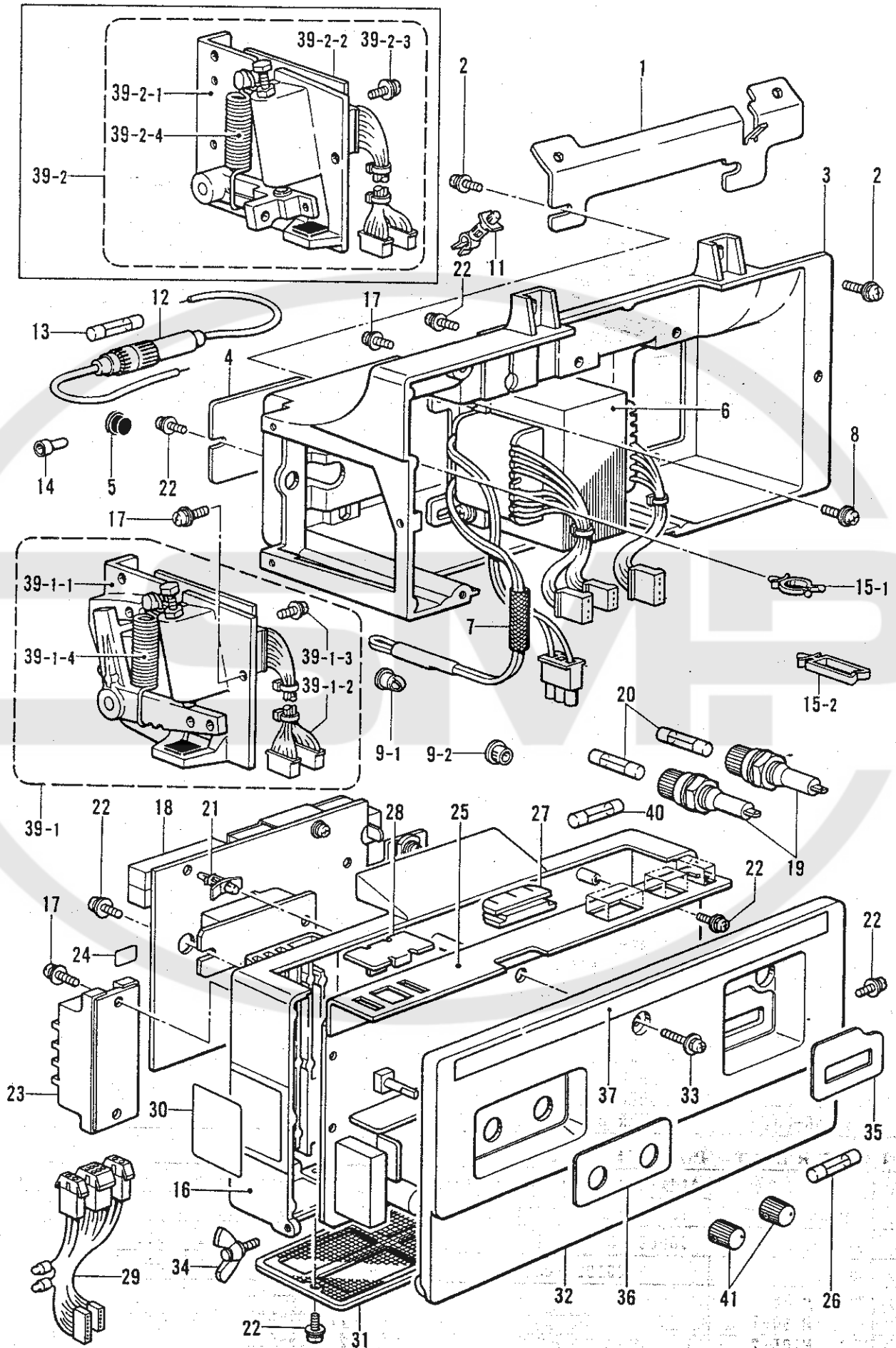


REF. NO.	CODE	Q' TY	NAME OF PARTS	REF. NO.	CODE	Q' TY	NAME OF PARTS
41	228216-001	4	SCREW 6X150D	48	224503-001	2	WASHER 0.3X15.1X30ST
42	J80319-001	1	DC BRACKET (R) #3 ASSY	49	231013-001	1	BRAKE(A30)AMATURE ASSY
42-1		1	DC BRACKET (R) #3	50	*	1	PULLY
42-2	076202-801	1	BEARING 6202ZZ #2	51	211528-001	3	SCREW 5X12
42-3	J00128-001	1	BEARING WASHER #2	52	237641-001	1	SPRING WASHER 14
42-4	215080-001	2	SCREW 4X10D	53	021140-305	1	NUT 14
43	J00130-001	1	BRAKE (A30) STATOR	54	J00106-001	1	DC BELT COVER #20
44	211528-001	3	SCREW 5X12	55	J00143-001	2	WING BOLT 5X10
45	222753-000	3	WASHER 0.15X15.1X30ST	56	J00351-001	1	BELT CLAMP PLATE 2
46	219517-000	3	WASHER 0.1X15.1X30ST	57	224508-001	1	SCREW 4X10DC
47	231458-001	2	WASHER 0.12X15.1X30ST				

DIFFERENT PARTS LIST

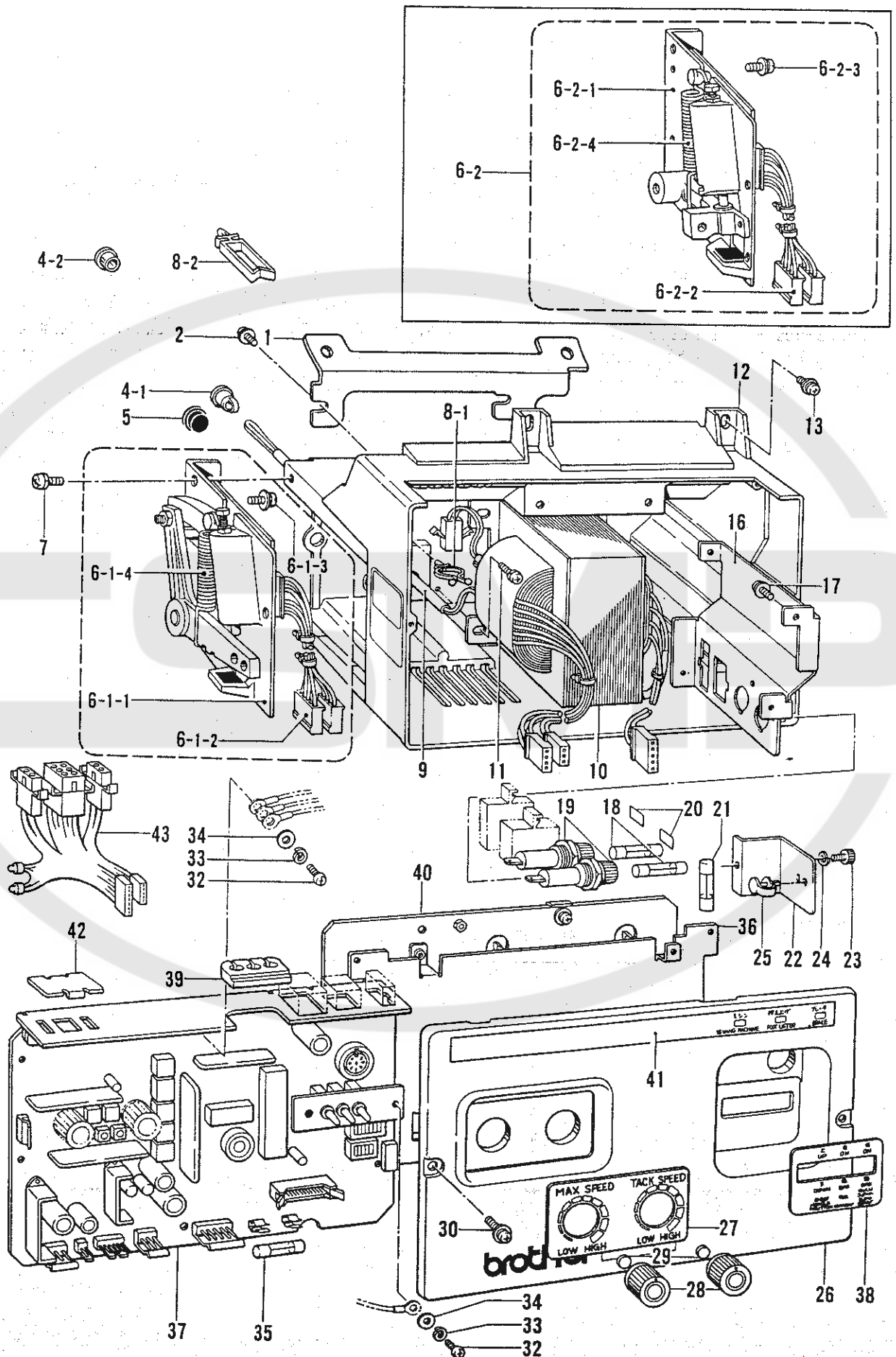
REF. NO.	NAME OF PARTS	MD-806		MD-816		MD-807		MD-817	
		100V~240V	200V~240V	380V~415V	100V~240V	200V~240V	380V~415V		
12	MD MOTOR	J80069-001	J80070-001	J80071-001	J80321-001	J80073-001	J80074-001		
19	ROTOR	231004-001		231018-001	231006-001		231007-001		
50	PULY M 80-1 M 90-1 M105-2 M125-2				228840-000 228237-001 228839-001 231017-001				

B. Control box / Schaltkasten / Mécanisme du boîtier de contrôle /
 Mecanismo del caja de controles (Mark II) (NBN) (BAST) (P62, P64) (C51, P73, P81) (COV)



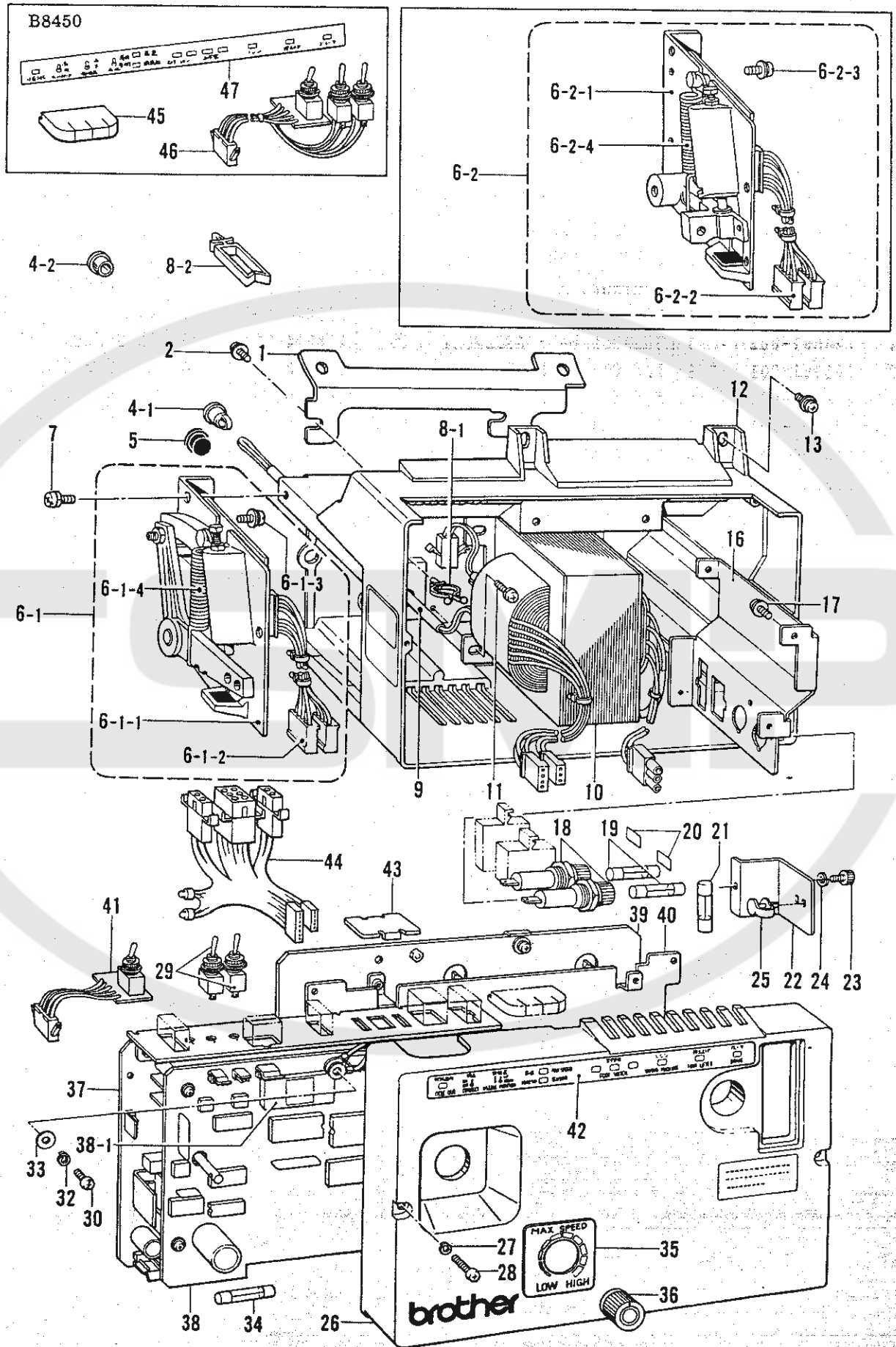
REF. NO.	CODE	Q'TY	NAME OF PARTS	REF. NO.	CODE	Q'TY	NAME OF PARTS
1	J00116-001	1	INSTALL PLATE#5	30	---	1	NAME PLATE
2	J00353-001	4	SCREW5X14D	31	J00121-001	1	DUST-PROOF NET
3	J00119-001	1	TRANS BOX	32	J00117-003	1	DC-BOX COVER#7(MARK II)
4-1	J00120-001	1	FUSE BASE#2	32	J00117-001	1	DC-BOX COVER#7(NBN)
4-2	J00901-001	1	FUSE BASE#2-1(LPW)	32	J00117-002	1	DC-BOX COVER#7
5	104821-001	1	OIL CAP	33	J00155-001	1	SCREW4X30DC
6	*	1	TRANSFORMER	34	J00653-001	1	WING BOLT4X10 (COV)
7	228284-001	1	T10X50 TUBE	35	J00440-001	1	SWITCH SEAL#10 (MARK II, BAST)
8	216872-001	4	SCREW4X8DB				
9-1	215971-001	1	BUSH#61	35	J00165-001	1	SWITCH SEAL#11 (NBN)
9-2	232459-001	1	HOLE PLUG	35	J00239-001	1	SWITCH SEAL#12 (COV)
11	J00952-001	1	CLIP SLCS370-6N	35	J00650-001	1	SWITCH SEAL#14 (LPW, PWB)
12	J01370-001	1	FUSE ASSEMBLY#2				
13	215822-000	1	FUSE (5A)	36	J00167-001	1	VR LABEL#12 (MARK II, NBN, LPW, PWB)
14	J00074-001	1	FLAT CONNECT TERMINAL				
15-1	228290-001	1	PERSE LOCK-16	36	J00325-001	1	VR LABEL#14 (BAST, COV)
15-2	229224-001	1	WIRE SADOLE				
16	J00118-001	1	FRONT BOX(S)	37	J00212-001	1	DCP-DISPOSE (MARK II, BAST, PWB, COV)
17	J00179-001	8	SCREW 5X12DA				
18	*	1	POWER CIRCUIT UNIT D	37	J00169-001	1	DCP-DISPOSE (NBN, LPW)
19	*	2	FUSE HOLDER#2				
20	*	2	FUSE	39-1	291790-002	1	TREADLE UNIT#11
21	J00025-001	5	HOLDER SPLS-6	39-1-1	231069-002	1	TREADLE BASE ASSEMBLY
22	215082-001	14	SCREW 4X12DA	39-1-2	291792-001	1	P-S CIRCUIT BOAD#5
23-1	233643-001	1	SITRMID 130F-050 (100~240V)	39-1-3	229017-001	6	SCREW4X10DA
				39-1-4	231080-001	1	SPRING#5
23-2	233644-001	1	SITRMID 130F-100 (380~415V)	39-2	291789-002	1	TREADLE UNIT#10
				39-2-1	228831-002	1	TREADLE BASE ASSEMBLY
24	233688-001	1	LABEL	39-2-2	291791-001	1	P-S CIRCUIT BOAD#4
25	*	1	CONTROL CIRCUIT UNIT S	39-2-3	229017-001	6	SCREW4X10DA
26	219225-000	1	FUSE (8A)	39-2-4	236207-001	1	SPRING#4-1
27	233193-001	1	BUSH	40	J00283-001	1	FUSE 15A-S (1 PHASE)
28	J00048-001	1	PLUG CAP	41	J00337-001	1	VR CONTROL KNOB K-8075
29	J00189-001	1	CONNECTOR#60 (OPTION)				

C. Control box / Schaltkasten / Mécanisme du boîtier de contrôle /
 Mecanismo del caja de controles (APM) (B845-900S) (ABL) (SBL)



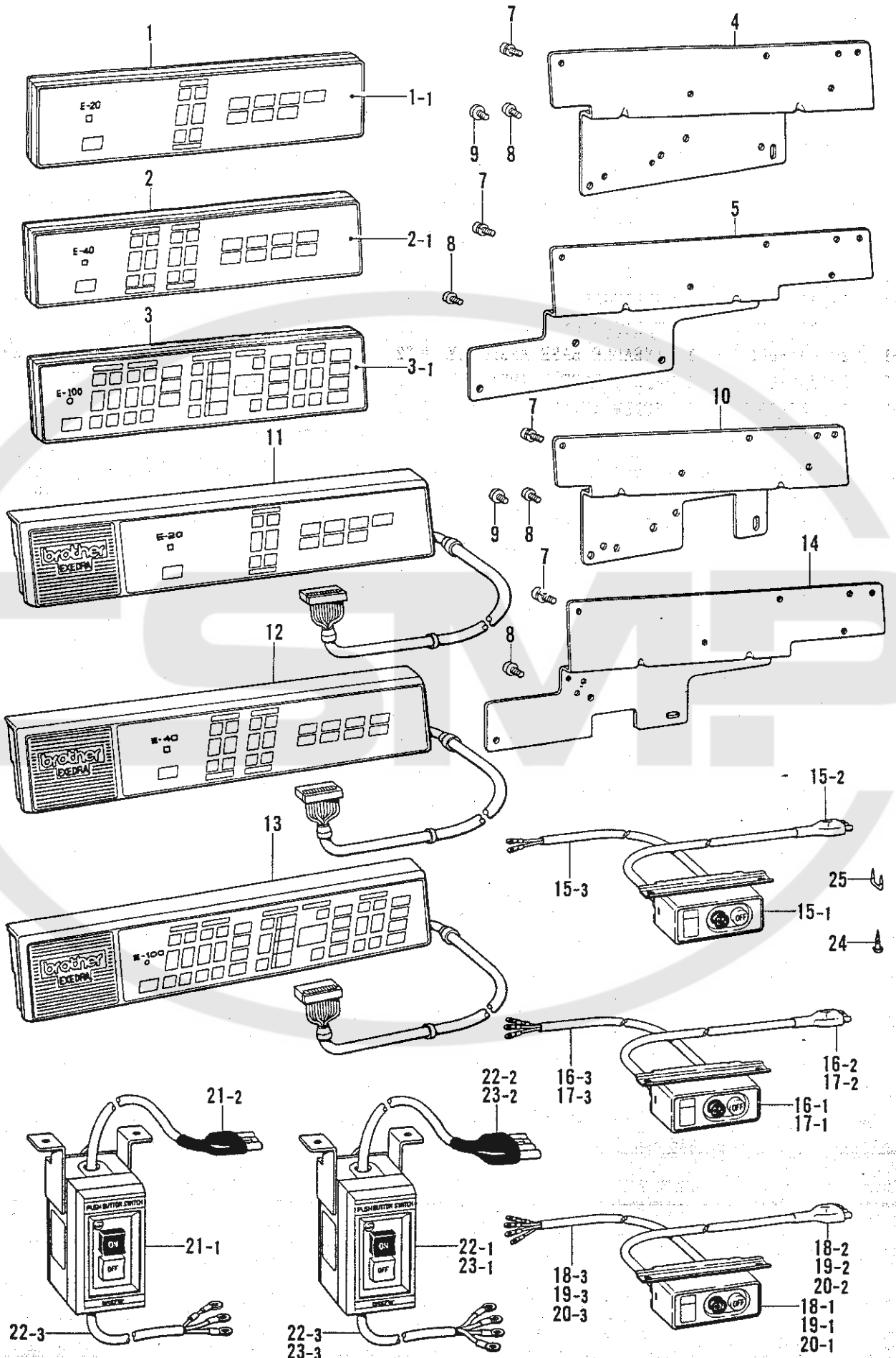
REF. NO.	CODE	Q' TY	NAME OF PARTS	REF. NO.	CODE	Q' TY	NAME OF PARTS
1	J00654-001	1	INSTALL PLATE #7	21	225432-001	1	FUSE 1A
2	J00353-001	4	SCREW 5X14DB	22	228280-002	1	FUSE COVER
4-1	215971-001	1	BUSH#61	23	018400-832	1	BOLT 4X8
4-2	232459-001	1	HOLE PLUG 11.1	24	028040-245	1	SPRING WASHER 2-4
5	104821-001	1	OIL CAP	25	216740-001	1	LEAD CLAMPER
6-1	291790-002	1	TREADLE UNITT#11	26	233121-007	1	COVER #3 (900S, ABL)
6-1-1	231069-002	1	TREADLE BASE ASSEMBLY	26	236682-001	1	COVER #3-1 (APM)
6-1-2	291792-001	1	P.S CIRCUIT BOARD#5	27	229559-001	1	VR LABEL#2 (900S)
6-1-3	229017-001	6	SCREW 4X10DA	27	236683-001	1	VR LABEL#7 (APM)
6-1-4	231080-001	1	SPRING#5	27	234079-001	1	VR LABEL#6 (ABL)
6-2	291798-002	1	TREADLE UNITT#10	28	221024-001	2	VR CONTROL KNOB
6-2-1	228831-002	1	TREADLE BASE ASSEMBLY	29	228324-001	2	VR SPACER
6-2-2	291791-001	1	P.S CIRCUIT BOARD#4	30	217093-001	2	SCREW 4X12D
6-2-3	229017-001	6	SCREW 4X10DA	32	062401-263	2	SCREW 4X12
6-2-4	236207-001	1	SPRING#4-1	33	028040-245	2	SPRING WASHER 2-4
7	216596-001	3	SCREW 5X10D	34	025040-173	2	PLAIN WASHER 4
8-1	228290-001	1	PARSE ROCK 16	35	219225-000	2	FUSE 8A
8-2	229224-001	1	WIRE SADDLE	36	228294-001	1	CIRCUIT SETTING PLATE
9	228284-001	1	T10X50 TUBE	37	*	1	CONTROL CIRCUIT UNIT
10	*	1	TRANSFORMER	38	233123-003	1	SWITCH SEAL (900S, APM)
11	216872-001	4	SCREW 4X8DB	38	234081-001	1	SWITCH SEAL (ABL)
12	228287-002	1	BOX	39	233193-001	1	CORD BUSH
13	J00353-001	2	SCREW 5X14DB	40	*	1	POWER CIRCUIT BOARD
16	—	1	CONNNECTOR BRACKET	41	235007-001	1	DPC SEAL (900s)
17	216872-001	2	SCREW 4X8DB	41	229558-002	1	DPC SEAL (APM, ABL)
18	*	2	FUSE HOLDER ASSY	42	J00048-001	1	PLUG CAP
19	*	2	FUSE	43	233146-001	1	CONNECTOR (OPTION)
20	*	1	LABEL				

D. Control box / Schaltkasten / Mécanisme du boîtier de contrôle / Mecanismo del caja de controles (B7380) (B7910) (B7740) (B8450)



REF. NO.	CODE	Q' TY	NAME OF PARTS	REF. NO.	CODE	Q' TY	NAME OF PARTS
1	J00654-001	1	INSTALL PLATE #7	21	225432-001	1	FUSE 1A
2	J00353-001	4	SCREW 5X14DB	22	228280-002	1	FUSE COVER
4-1	215971-001	1	BUSH#61	23	018400-832	1	BOLT 4X8
4-2	232459-001	1	HOLE PLUG 11.1	24	028040-245	1	SPRING WASHER 2-4
5	104821-001	1	OIL CAP	25	216740-001	1	LEAD CLAMPER
6-1	291442-002	1	TREADLE UNITT#8	26	228414-002	1	COVER #2
6-1-1	231069-002	1	TREADLE BASE ASSEMBLY	26	235029-002	1	COVER #2-2 (B8450)
6-1-2	291443-001	1	P.S CIRCUIT BOARD#8	27	028040-245	1	SPRING WASHER 2-4
6-1-3	229017-001	6	SCREW 4X10DA	28	228415-001	2	SCREW 4X45
6-1-4	231080-001	1	SPRING#5	29	234137-001	1	BT SWITCH ASSEMBLY#2
6-2	291281-002	1	TREADLE UNITT#7	30	062401-263	1	SCREW 4X12
6-2-1	228831-002	1	TREADLE BASE ASSEMBLY	32	028040-245	1	SPRING WASHER 2-4
6-2-2	291282-001	1	P.S CIRCUIT BOARD#7	33	025040-173	1	PLAIN WASHER 4
6-2-3	229017-001	6	SCREW 4X10DA	34	219225-000	1	FUSE 8A
6-2-4	236207-001	1	SPRING#4-1	35	229208-001	1	VR LABEL
7	216596-001	3	SCREW 5X10D	36	221024-001	1	VR CONTROL KNOB
8-1	228290-001	1	PARSE ROCK 16	37	*	1	CIRCUIT BOARD 470DB
8-2	229224-001	1	WIRE SADDLE	38	*	1	CIRCUIT BOARD 470C
9	228284-001	1	T10X50 TUBE	38-1	*	1	PROM
10	*	1	TRANSFORMER	39	*	1	POWER CIRCUIT BOARD
11	216872-001	4	SCREW 4X8DB	40	228294-001	1	CIRCUIT SEETING PLATE
12	228287-002	1	BOX	41	234030-001	1	SENSOR SW ASSEMBLY
13	J00353-001	2	SCREW 5X14DB	42	234060-001	1	SEAL
16	—	1	CONNNECTOR BRACKET	43	J00048-001	1	PLUG CAP
17	216872-001	2	SCREW 4X8DB	44	234136-001	1	CONNECTOR (OPTION)
18	*	2	FUSE HOLDER ASSY	45	235052-001	1	CORD BUSH#2 (B8450)
19	*	2	FUSE	46	235044-001	1	BT SWITCH ASSEMBLY#9
20	*	1	LABEL	47	235009-001	1	SEAL (B8450)

E. Operation panel, switch box mechanism / Schaltkasten /
 Boîtier d'interrupteurs / Caja de interruptores

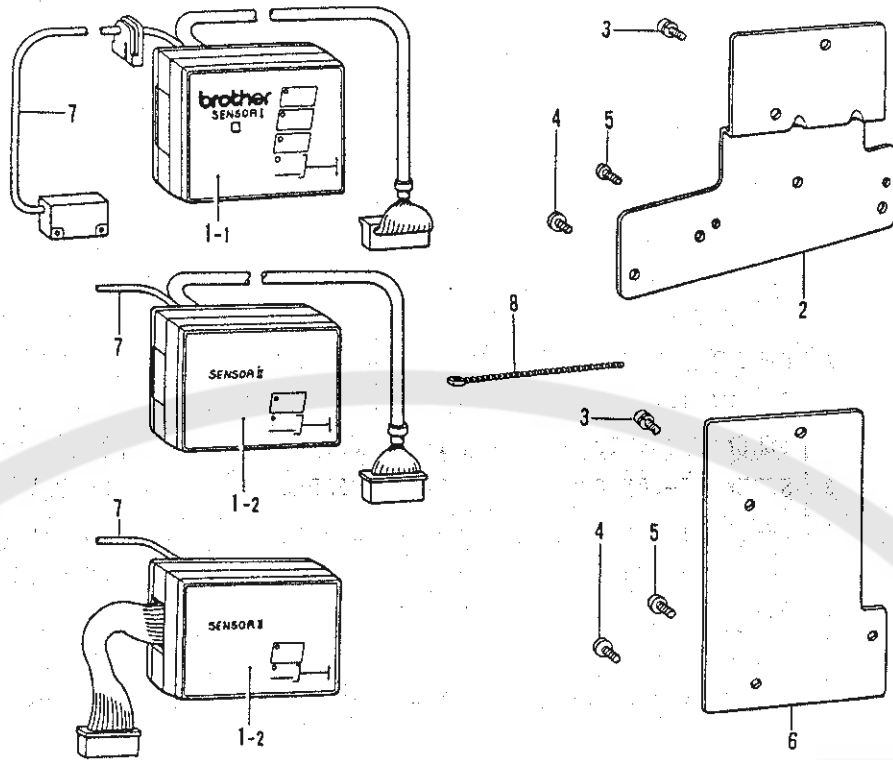


REF. NO.	CODE	Q' TY	NAME OF PARTS	REF. NO.	CODE	Q' TY	NAME OF PARTS
1	*	1	E-20 OPERATION PANEL	15	229240-001	1	2PSWITCH ASSEMBLY#19-3
1-1	233085-002	1	HB-20 PLATE	15-1	225539-001	1	2PSWITCH#19
2	*	1	E-40 OPERATION PANEL	15-2	228243-001	1	3P PLUG ASSEMBLY#10
2-1	233079-002	1	HB-40 PLATE	15-3	229241-001	1	ELECTRIC SUPPLY CORD
3	*	1	E-100 OPERATION PANEL	16	229237-001	1	2PSWITCH ASSEMBLY#19-2
3-1	233074-002	1	HBFP100-2 ASSEMBLY	16-1	225539-001	1	2PSWITCH#19
4	233088-002	1	HB-SETTING PLATE#1	16-2	229238-001	1	3P PLUG ASSEMBLY#10-2
5	233090-002	1	HB-SETTING PLATE#3	16-3	229239-001	1	ELECTRIC SUPPLY CORD#2
7	215082-002	3	SCREW4X12DA	17	230542-001	1	2PSWITCH ASSEMBLY#19-4
8	062681-212	3	SCREW437-40X12	17-1	225539-001	1	2PSWITCH#19
9	060671-212	3	SCREW357-40X12	17-2	230543-001	1	3P PLUG ASSEMBLY#10-3
10	233089-002	1	HB-SETTING PLATE#2	17-3	229241-001	1	ELECTRIC SUPPLY CORD
11	*	1	E-20 OPERATION PANEL	18	229244-001	1	3PSWITCH ASSEMBLY#11-6
12	*	1	E-40 OPERATION PANEL	18-1	224510-001	1	3PSWITCH#11
13	*	1	E-100 OPERATION PANEL	18-2	229245-001	1	4P PLUG ASSEMBLY#11-3
14	234588-002	1	HB-SETTING PLATE#5	18-3	229246-001	1	ELECTRIC SUPPLY CORD#5
				19	229250-001	1	3PSWITCH ASSEMBLY#11-7
				19-1	224510-001	1	3PSWITCH#11
				19-2	228272-001	1	4P PLUG ASSEMBLY#11
				19-3	224513-001	1	ELECTRIC SUPPLY CORD#3
				20	230545-001	1	3PSWITCH ASSEMBLY#11-8
				20-1	224510-001	1	3PSWITCH#11
				20-2	230546-001	1	4P PLUG ASSEMBLY#11-5
				20-3	230547-001	1	ELECTRIC SUPPLY CORD
				21	230548-001	1	2PSWITCH ASSEMBLY#16-2
				21-1	223739-001	1	2PSWITCH#16
				21-2	235533-001	1	3P PLUG ASSEMBLY#10-4
				21-3	233534-001	1	ELECTRIC SUPPLY CORD
				22	230443-001	1	3PSWITCH ASSEMBLY#9-11
				22-1	223738-001	1	3PSWITCH#9-3
				22-2	230444-001	1	4P PLUG ASSEMBLY#11-4
				22-3	230445-001	1	ELECTRIC SUPPLY CORD
				23	230549-001	1	3PSWITCH ASSEMBLY#9-12
				23-1	215504-001	1	3PSWITCH#9
				23-2	230550-001	1	4P PLUG ASSEMBLY#11-6
				23-3	230551-001	1	ELECTRIC SUPPLY CORD#7
				24	S03816-001	2	SCREW4.5X16
				25	200190-001	5	STEPLE

MACHINE MODEL	REF. NO.	OPERATIN PANEL	
		SAPPLY PARTS NO.	
B737 MARK II	F-11	E-20	137-208-711-11
	F-12	E-40	137-208-712-11
	F-13	E-100	137-208-713-11
B748, 791, 798 B774, 795, B842, 872 (TWIN NEEDLE) B852, 853, 854	F-1	E-20	137-208-711-20
	F-2	E-40	137-208-712-20
	F-3	E-100	137-208-713-20

* Use the replacement part product code number given in the table below for parts marked with an asterisk(*).

F. Material edge sensor related (option) (1) / Für Materialkantensensor (Sonderausstattung) (1) /
 Capteur de bord de tissu relatif (en option) (1) /
 Piezas relacionadas al detector de borde de tejidos (opcional) (1)



SENSOR

MACHINE MODEL	S I (E - 0)		S II (E-20 ~ E-100)	
	NAME OF PARTS	CODE	NAME OF PARTS	CODE
B737 Mark II	SWNSOR#1-1	291655-011	SENSOR#2-2	291657-011
B748			SENSOR#2-1	291659-011
TWIN NEEDLE	SENSOR#1-3	291673-011	SENSOR#2-3	291674-011
B791	SENSOR#1-4	291656-011	SENSOR#2-4	291640-011
B798	SENSOR#1-6	291744-011	SENSOR#2-6	291642-011
B774	SENSOR#1-7	388707-011	SENSOR#2-7	388706-011

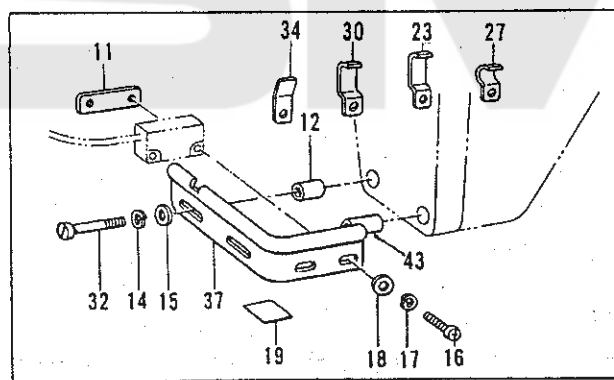
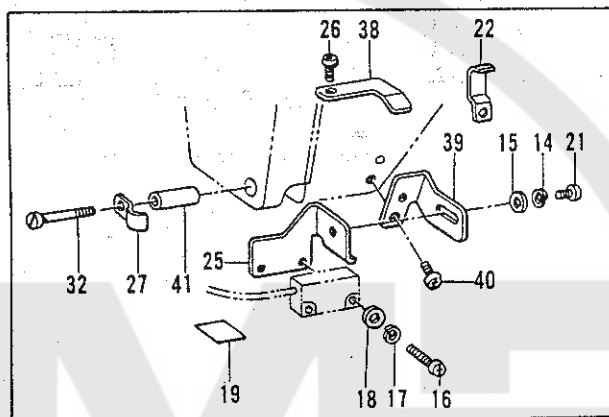
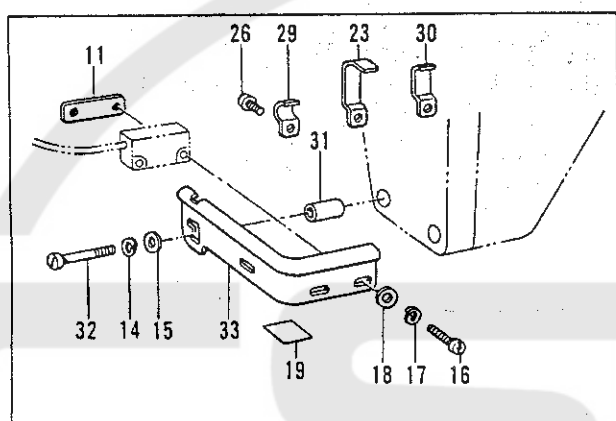
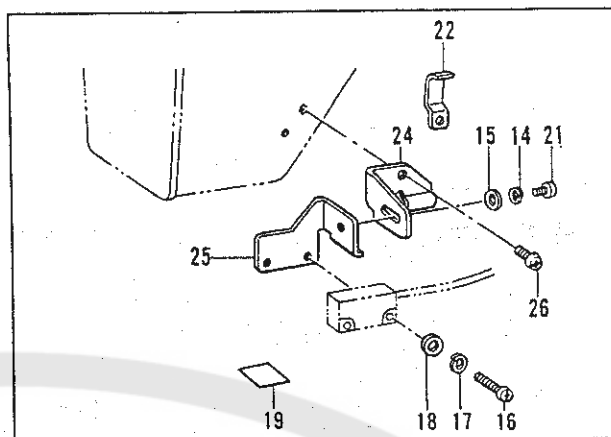
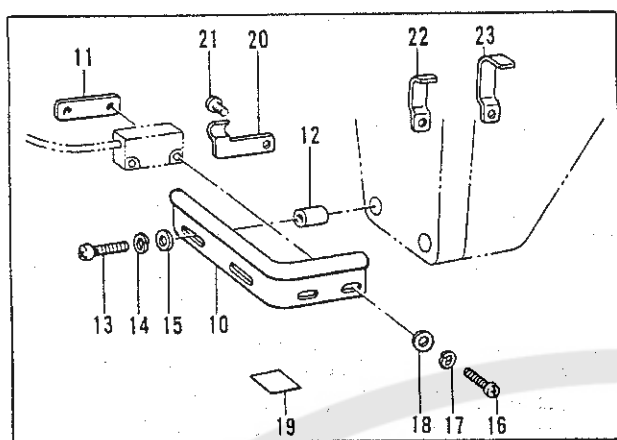
DIFFERENT PARTS LIST
 SENSOR I

REF. NO.	MACHINE MODEL	Mark II	B 7 4 8	2 NEEDLE	B 7 9 1	B 7 9 8	B 7 7 4
	NAME OF SENSOR	#1-1		#1-3	#1-4	#1-6	#1-7
1-1	EMBLEM PLATE			233258-002			
7	SENSOR CORD ASS.	233263-001			233619-001	233263-001	
3	SCREW 4X12DA			215082-002			
2	SETTING PLATE	237043-002			233093-002		233093-002
6	SETTING PLATE					233603-002	
4	SCREW 357-40X12					060671-212	
5	SCREW 437-40X12			062681-212			062681-212
8	TYING BAND N-108			233501-001			

SENSOR II

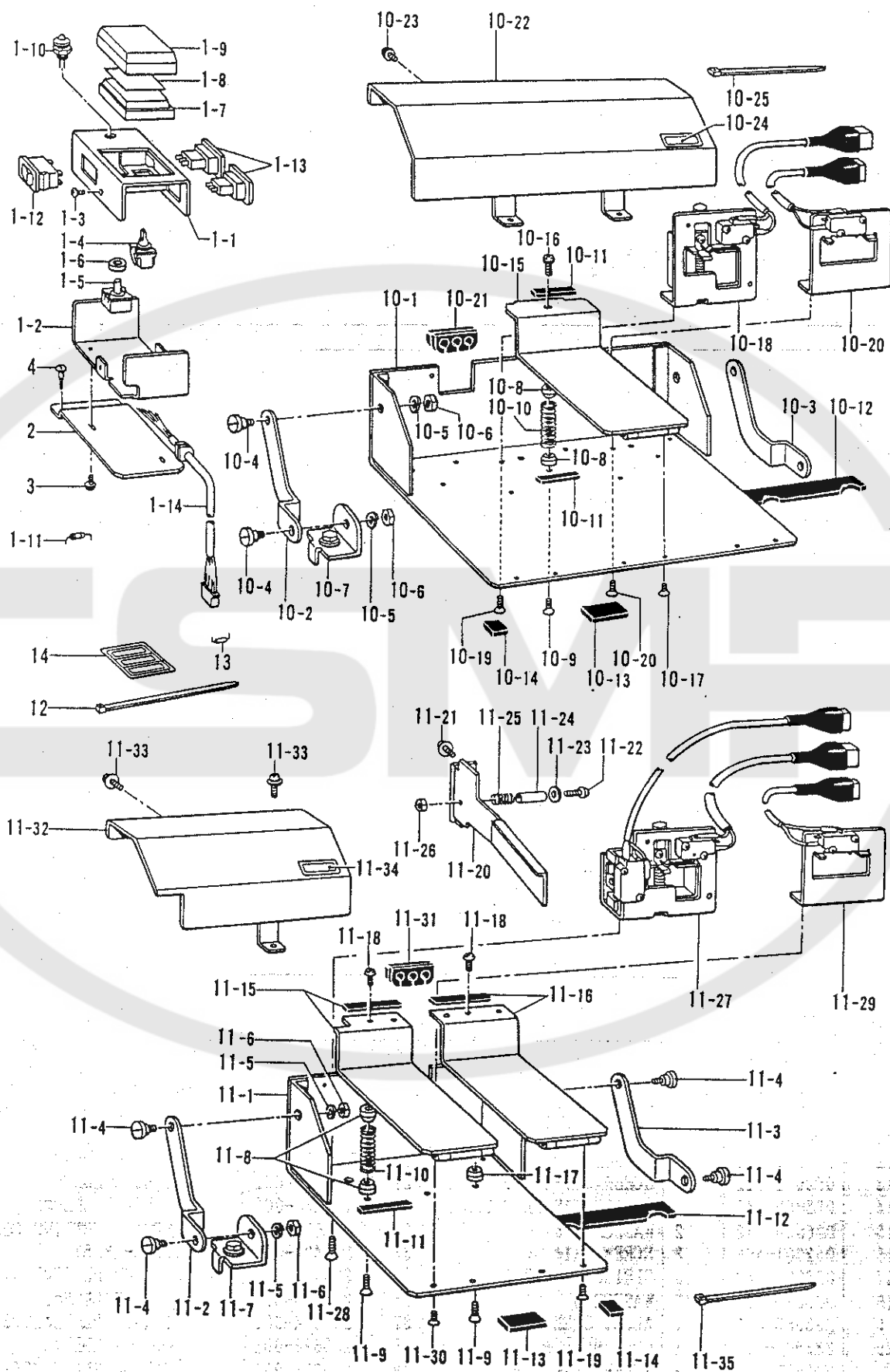
REF. NO.	MACHINE MODEL	Mark II	B 7 4 8	(2 本 針)	B 7 9 1	B 7 9 8	B 7 7 4
	NAME OF SENSOR	#2-2	#2-1	#2-3	#2-4	#2-6	#2-7
1-1	EMBLEM PLATE			233268-002			
7	SENSOR CORD ASS.	233263-001			233619-001	233263-001	
3	SCREW 4X12DA			215082-002			
2	SETTING PLATE	237043-002					
5	SCREW 437-40X12	062681-212					
8	TYING BAND N-108			233501-001			

G. Material edge sensor related (option) (2) / Für Materialkantensensor (Sonderausstattung) (2) /
 Capteur de bord de tissu relatif (en option) (2) /
 Piezas relacionadas al detector de borde de tejidos (opcional) (2)



REF. NO.	CODE	Q' TY	NAME OF PARTS	REF. NO.	CODE	Q' TY	NAME OF PARTS
10	233091-002	1	SENSOR PLATE	25	233544-001	1	SENSOR SETTING PLATE#3
11	233092-001	1	SENSOR SETTING PLATE	26	062680-812	2	SCREW 437-40X8
12	233067-001	2	SENSOB SITTING COLLAR	27	S02701-001	2	CORD HOLDER#U1
13	062672-012	2	SCREW 357-40X20	29	233604-001	1	CORD HOLDER#2
14	028350-242	2	SPRING WASHER 2-3.5	30	142268-001	2	CODER HOLDER#L
15	026350-132	2	WASHER 3.5	31	233575-001	2	SENSOR SETTING COLLAR#2
16	062301-402	2	SCREW 3X14	32	151431-001	2	SCREW 3.57
17	028030-242	2	SPRING WASHER 2-3	33	233573-001	1	SENSOR PLATE#B791
18	025030-132	2	WASHER 3	34	233618-001	1	CORD HOLDER#3
19	233063-001	1	ALUMI SHEET	37	233574-001	1	SENSOR PLATE#B793
20	233500-001	1	CORD HPLDER	38	233696-001	1	CORD HOLDER#4
21	062670-612	1	SCREW 357-40X6	39	233694-001	1	SENSOR PLATE#B798
22	S02702-001	2	CORD HOLDER#U2	40	062670-812	1	SCREW 375-40X8
23	S02703-001	2	CORD HPLDER#U3	41	233695-001	1	SENSOR SETTING COLLAR#3
24	233545-001	1	SENSOR HOLDER#A	43	236315-001	1	SENSOR COLLAR 17.5

H. Production counter, pedal for standing operation / Stückzähler Fusstritt für stehenden Arbeitsplatz /
 Compteur de-production pédale pour opération en station debò /
 Contador de producción pedal para operar de pie



PRODUCTION COUNTER

REF. NO.	CODE	Q' TY	NAME OF PARTS
1	291660-002	1	PRODUCTION COUNTER
1-1	233198-002	1	P. C CLAMP PLATE
1-2	233201-002	1	P. C BRACKET
1-3	061300-605	3	SCREW 3X6
1-4	233203-001	1	PUSH SWITCH
1-5	233204-001	1	PIN
1-6	233205-001	1	CUSHION RUBBER
1-7	233206-001	1	KEY TOP 35X35
1-8	233207-001	1	KEY TOP COVER
1-9	233208-001	1	PUSH PLATE
1-10	233202-001	1	DISPLAY LAMP
1-11	090181-120	1	DR-A14YJ18
1-12	233209-001	1	SELECTOR SWITCH
1-13	233210-001	2	PUSH SWITCH#2
1-14	233211-001	1	P. C CORD ASSEMBLY
2	233378-002	1	P. C SETTIG PLATE
3	233236-001	2	SCREW 4X6DA
4	031311-302	2	SCREW 3.1X13

**PEDAL FOR STANDING OPERATION
(SIDE ACTION AND VARIABLE SPEED TYPE)**

REF. NO.	CODE	Q' TY	NAME OF PARTS
11	385266-040	1	PEDAL (THREAD TRIM
11-1	238194-001	1	PEDAL BASE ASSEMBLY#5
11-2	233221-003	1	ARM CLAMP#L
11-3	233222-003	1	ARM CLAMP#R
11-4	233223-001	4	STUD SCTRE 8X16.7
11-5	028080-242	4	SPRING WASHER 2-8
11-6	021080-302	4	NUT 8
11-7	233224-002	2	PEDAL CLAMP ASSEMBLY
11-8	233231-001	2	SPRING CUSHION#23
11-9	061401-205	2	SCREW 4X12
11-10	233233-001	2	SPRING 1.2X12X57
11-11	233232-001	2	RUBBER PLATE1. 6X5X45
11-12	S14823-001	1	RUBBER PLATE3. 2X20X186
11-13	233229-001	1	RUBBER PLATE3. 2X20X46
11-14	233230-001	2	RUBBER PLATE3. 2X20X15
11-15	238186-001	1	PEDAL ASSEMBLY(SPEED)
11-16	238188-001	1	PEDAL ASSEMBLY PRESSER
11-17	233231-001	2	SPRING CUSHION#23
11-18	217093-001	2	SCREW 4X12D
11-19	061400-402	4	SCREW 4X4
11-20	238191-001	1	PEDAL TRIMMER ASS.#2
11-21	225534-001	2	SCREW 4X8DA
11-22	062402-005	1	SCREW 4X20
11-23	025040-335	1	WASHER 4
11-24	J00021-001	1	TUBE T5X12
11-25	228957-001	1	SPRING8X30
11-26	021400-305	1	NUT 4
11-27	J00022-001	1	SPEED CONTROLLER#5
11-28	061401-205	2	SCREW 4X12
11-29	233246-001	1	M. SWITCH ASSEMBLY
11-30	061401-205	2	SCREW 4X12
11-31	233250-001	1	F. P BUSH
11-32	238196-001	1	PEDAL COVER#5
11-33	233236-001	3	SCREW 4X6DA
11-34	233487-002	1	IDENTIFICATION LABEL
11-35	228475-000	2	TYING BAND1. 9X80
12	233491-001	2	TYING BAND3. 6X203
13	200190-001	4	STEPLE
14	233515-001	1	LABEL

**PEDAL FOR STANDING OPERATION
(VARIABLE SPEED TYPE) (TWO SPEED TYPE)**

REF. NO.	CODE	Q' TY	NAME OF PATRS
10	*	1	PEDAL ASSEBLY
10-1	233217-002	1	PEDAL BASE ASSEMBLY
10-2	233221-003	1	ARM CLAMP#L
10-3	233222-003	1	ARM CLAMP#R
10-4	233223-001	4	STUD SCTRE 8X16.7
10-5	028080-242	4	SPRING WASHER 2-8
10-6	021080-302	4	NUT 8
10-7	233224-002	2	PEDAL CLAMP ASSEMBLY
10-8	233231-001	6	SPRING CUSHION#23
10-9	061401-205	3	SCREW 4X12
10-10	233233-001	3	SPRING 1.2X12X57
10-11	233232-001	6	RUBBER PLATE1. 6X5X45
10-12	233228-001	1	RUBBER PLATE3. 2X20X286
10-13	233229-001	2	RUBBER PLATE3. 2X20X46
10-14	233230-001	2	RUBBER PLATE3. 2X20X15
10-15	233225-001	3	PEDAL ASSEMBLY
10-16	217093-001	3	SCREW 4X12D
10-17	061400-402	6	SCREW 4X4
10-18	*	1	SPEED CONTROLLER
10-19	061400-205	6	SCREW 4X12
10-20	233246-001	2	M. SWITCH ASSEMBLY
10-21	233250-001	1	F. P BUSH
10-22	233251-003	1	PEDAL COVER
10-23	233235-001	4	SCREW 4X6DA
10-24	*	1	IDENTIFICATION LABEL
10-25	228475-000	2	TYING BAND 1. 9X80

DIFFERENT PARTS LIST

REF. NO.	VARIABLE TYPE	TWO SPEED TYPE
10	291661-043	291662-003
10-18	233234-001	233494-001
10-24	233487-002	233488-002

DIFFERENT PARTS LIST, CONTROL BOX FOR SUPPLY LIST / ZUBEHÖRLISTE /
LISTE DES PIÈCES ACCESSOIRES / LISTA DE PIEZAS ACCESORIAS

Machine Model		Mark II								
Ref.No.	Sub-Class	Single Phase					Three Phase			
	Voltage (V)	110	120	220	230	240	220	380	415	
A-7	Bracket Assembly (L) #3	J00109-001					J00110-001			
A-12	DC.Motor Assembly	J80069-001 (A)					J80070-001 (A)	J80071-001 (B)		
A-19	Rotor	231004-001						231018-001		
A-50	Pulley	228840-000 M 80-1								
		228237-001 M 90-1								
		228839-001 M 105-2								
		231017-001 M 125-2								
B-6	Trans Former	6V	229963-001	236126-001	229643-001	229645-001	229646-001	229643-001	229561-001	230214-001
		12V	—	—	230660-001	—	231335-001	230660-001	229623-001	229644-001
		NIL	—	—	J01166-001	—	J01183-001	J01166-001	J01197-001	J01215-001
B-15	Perse Rock-16	228290-001						229224-001		
B-18	Power Circuit Unit	J80116-001	J80115-001	J80117-001			J80118-001	J80119-001		
B-19	Fuse Holder Assembly	—						224087-001 (Q'ty2)		
B-20	Fuse	—				—		215822-000 (5A) (Q'ty2)	215769-001 (3A) (Q'ty2)	
B-25	Control Circuit Unit	J80090-001		J80091-001			J80092-001	J80093-001		
B-30	Label	—				—		J00288-001	J00312-001	
B-39-1	Treadle Unit Assembly #11	291790-002								
B-39-1-2	P-S Circuit Board #11	291792-001								
B-39-1-4	Treadle Spring #5	231080-001								
B-39-2	Treadle Unit Assembly #10	291789-002								
B-39-2-2	P-S Circuit Board #10	291791-001								
B-39-2-4	Treadle Spring #4-1	236207-001								
E-15	Switch Assembly	229240-001		229237-001			229250-001	229244-001		
		230548-001 (USA)		231854-001 (OCR)		236127-001 (Australia)	230443-001 (OCR)	230549-001 (OCR)		
E-23		230542-001 (Canada)		—			230545-001 (Canada)	—		

Machine Model		B730 (NBN)								
Ref.No.	Sub-Class	Single Phase					Three Phase			
	Voltage (V)	110	120	220	230	240	220	380	415	
A-7	Bracket Assembly (L) #3	J00109-001					J00110-001			
A-12	DC.Motor Assembly	J80069-001 (A)					J80070-001 (A)	J80071-001 (B)		
A-19	Rotor	231004-001					231018-001			
A-50	Pulley	228840-000 M 80-1								
		228237-001 M 90-1								
		228839-001 M 105-2								
		231017-001 M 125-2								
B-6	Trans Former	6V	229963-001	236126-001	229643-001	229645-001	229646-001	229643-001	229561-001	230214-001
		12V	_____	_____	230660-001	_____	231335-001	230660-001	229623-001	229644-001
		NIL	_____	_____	J01166-001	_____	J01183-001	J01166-001	J01197-001	J01215-001
B-15	Perse Rock-16	228290-001					229224-001			
B-18	Power Circuit Unit	J80116-001	J80115-001	J80117-001			J80118-001	J80119-001		
B-19	Fuse Holder Assembly	_____					224087-001 (Q'ty2)			
B-20	Fuse	_____					215822-000 (5A) (Q'ty2)	215769-001 (3A) (Q'ty2)		
B-25	Control Circuit Unit	J80095-001			J80096-001		J80097-001	J80098-001		
B-30	Label	_____					J00288-001	J00312-001		
B-39-1	Treadle Unit Assembly #11	291790-002								
B-39-1-2	P-S Circuit Board #11	291792-001								
B-39-1-4	Treadle Spring #5	231080-001								
B-39-2	Treadle Unit Assembly #10	291789-002								
B-39-2-2	P-S Circuit Board #10	291791-001								
B-39-2-4	Treadle Spring #4-1	236207-001								
E-15	Switch Assembly	229240-001			229237-001		229250-001	229244-001		
		230548-001 (USA)			231854-001 (OCR)		236127-001 (Australia)	230443-001 (OCR)	230549-001 (OCR)	
E-23		230542-001 (Canada)			_____		230545-001 (Canada)	_____		

Machine Model		B883 (BAST)								
Ref.No.	Sub-Class	Single Phase					Three Phase			
	Voltage (V)	110	120	220	230	240	220	380	415	
A-7	Bracket Assembly (L) #3	J00109-001					J00110-001			
A-12	DC.Motor Assembly	J80069-001 (A)					J80070-001 (A)	J80071-001 (B)		
A-19	Rotor	231004-001					231018-001			
A-50	Pulley	228840-000 M 80-1								
		228237-001 M 90-1								
		228839-001 M 105-2								
		231017-001 M 125-2								
B-6	Trans Former	6V	229963-001	236126-001	229643-001	229645-001	229646-001	229643-001	229561-001	230214-001
		12V	_____	_____	230660-001	_____	231335-001	230660-001	229623-001	229644-001
		NIL	_____	_____	J01166-001	_____	J01183-001	J01166-001	J01197-001	J01215-001
B-15	Perse Rock-16	228290-001					229224-001			
B-18	Power Circuit Unit	J80116-001	J80115-001	J80117-001			J80118-001	J80119-001		
B-19	Fuse Holder Assembly	_____					224087-001 (Q'ty2)			
B-20	Fuse	_____		_____			215822-000 (5A) (Q'ty2)	215769-001 (3A) (Q'ty2)		
B-25	Control Circuit Unit	J80100-001			J80101-001		J80102-001	J80103-001		
B-30	Label	_____		_____			J00288-001	J00312-001		
B-39-1	Treadle Unit Assembly #11	291790-002								
B-39-1-2	P - S Circuit Board #11	291792-001								
B-39-1-4	Treadle Spring #5	231080-001								
B-39-2	Treadle Unit Assembly #10	291789-002								
B-39-2-2	P - S Circuit Board #10	291791-001								
B-39-2-4	Treadle Spring #4-1	236207-001								
E-15	Switch Assembly	J00452-001	J00460-001			J00470-001	J00468-001			
		J00453-001 (USA)	J00462-001 (OCR)		J00464-001 (Australia)	J00471-001 (OCR)	J00475-001 (OCR)			
E-23		J00455-001 (Canada)	_____			J00473-001 (Canada)	_____			

Machine Model		P62, P64							
Ref.No.	Sub-Class	Single Phase					Three Phase		
	Voltage (V)	110	120	220	230	240	220	380	415
A-7	Bracket Assembly (L) #3	J00109-001					J00110-001		
A-12	DC.Motor Assembly	J80069-001 (A)					J80070-001 (A)	J80071-001 (B)	
A-19	Rotor	231004-001					231018-001		
A-50	Pulley	228840-000 M 80-1							
		228237-001 M 90-1							
		228839-001 M 105-2							
		231017-001 M 125-2							
B-6	Trans Former	6V	J00718-001		J00718-001		J00719-001	J00721-001	
		12V	J00717-001		J00717-001		J00700-001	J00720-001	
		NIL	J01293-001		J01293-001		J01294-001	J01295-001	
B-15	Perse Rock-16	228290-001					229224-001		
B-18	Power Circuit Unit	J80116-001	J80115-001	J80117-001		J80118-001	J80119-001		
B-19	Fuse Holder Assembly						224087-001 (Q'ty2)		
B-20	Fuse					215822-000 (5A) (Q'ty2)	215769-001 (3A) (Q'ty2)		
B-25	Control Circuit Unit	J80315-001		J80316-001		J80109-001	J80110-001		
B-30	Label					J00288-001	J00312-001		
B-39-1	Treadle Unit Assembly #11	291790-002							
B-39-1-2	P-S Circuit Board #11	291792-001							
B-39-1-4	Treadle Spring #5	231080-001							
B-39-2	Treadle Unit Assembly #10	291789-002							
B-39-2-2	P-S Circuit Board #10	291791-001							
B-39-2-4	Treadle Spring #4-1	236207-001							
E-15 E-23	Switch Assembly	229240-001	229237-001		229250-001		229244-001		
		230548-001 (USA)	231854-001 (OCR)		236127-001 (Australia)	230443-001 (OCR)		230549-001 (OCR)	
		230542-001 (Canada)			230545-001 (Canada)				

Machine Model		C51, P73, P81								
Ref. No.	Sub-Class	Single Phase				Three Phase				
	Voltage (V)	110	120	220	230	240	220	380	415	
A-7	Bracket Assembly (L) #3	J00109-001				J00110-001				
A-12	DC.Motor Assembly	J80069-001 (A)				J80070-001 (A)	J80071-001 (B)			
A-19	Rotor	231004-001				231018-001				
A-50	Pulley	228840-000 M 80-1								
		228237-001 M 90-1								
		228839-001 M 105-2								
		231017-001 M 125-2								
B-6	Trans Former	6V	229963-001	236126-001	229643-001	229645-001	229646-001	229643-001	229561-001	230214-001
		12V	_____	_____	230660-001	_____	231335-001	230660-001	229623-001	229644-001
		NIL	_____	_____	J01166-001	_____	J01183-001	J01166-001	J01197-001	J01215-001
B-15	Perse Rock-16	228290-001				229224-001				
B-18	Power Circuit Unit	J80116-001	J80115-001	J80117-001			J80118-001	J80119-001		
B-19	Fuse Holder Assembly	_____				224087-001 (Q'ty2)				
B-20	Fuse	_____				215822-000 (5A) (Q'ty2) - 215769-001 (3A) (Q'ty2)				
B-25	Control Circuit Unit	J80318-001		J80111-001			J80112-001	J80113-001		
B-30	Label	_____				J00288-001 J00312-001				
B-39-1	Treadle Unit Assembly #11	291790-002								
B-39-1-2	P-S Circuit Board #11	291792-001								
B-39-1-4	Treadle Spring #5	231080-001								
B-39-2	Treadle Unit Assembly #10	291789-002								
B-39-2-2	P-S Circuit Board #10	291791-001								
B-39-2-4	Treadle Spring #4-1	236207-001								
E-15 { E-23	Switch Assembly	229240-001		229237-001			229250-001	229244-001		
		230548-001 (USA)		231854-001 (OCR)		236127-001 (Australia)	230443-001 (OCR)	230549-001 (OCR)		
		230542-001 (Canada)		_____			230545-001 (Canada)	_____		

Machine Model		COV								
Ref.No.	Sub-Class	Single Phase					Three Phase			
	Voltage (V)	110	120	220	230	240	220	380	415	
A-7	Bracket Assembly (L) #3	J00109-001					J00110-001			
A-12	DC.Motor Assembly	J80321-001 (AR)					J80073-001 (AR)	J80074-001 (BR)		
A-19	Rotor	231006-001						231007-001		
A-50	Pulley	228840-000 M 80-1								
		228237-001 M 90-1								
		228839-001 M 105-2								
		231017-001 M 125-2								
B-6	Trans Former	6V	229963-001	236126-001	229643-001	229645-001	229646-001	229643-001	229561-001	230214-001
		12V	_____	_____	230660-001	_____	231335-001	230660-001	229623-001	229644-001
		NIL	_____	_____	J01166-001	_____	J01183-001	J01166-001	J01197-001	J01215-001
B-15	Perse Rock-16	228290-001						229224-001		
B-18	Power Circuit Unit	J80116-001	J80115-001	J80117-001			J80118-001	J80119-001		
B-19	Fuse Holder Assembly	_____						224087-001 (Q'ty2)		
B-20	Fuse	_____				_____		215822-000 (5A) (Q'ty2)	215769-001 (3A) (Q'ty2)	
B-25	Control Circuit Unit	J80105-001			J80106-001		J80107-001	J80108-001		
B-30	Label	_____				_____		J00288-001	J00312-001	
B-39-1	Treadle Unit Assembly #11	291790-002								
B-39-1-2	P-S Circuit Board #11	291792-001								
B-39-1-4	Treadle Spring #5	231080-001								
B-39-2	Treadle Unit Assembly #10	291789-002								
B-39-2-2	P-S Circuit Board #10	291791-001								
B-39-2-4	Treadle Spring #4-1	236207-001								
E-15	Switch Assembly	229240-001			229237-001		229250-001	229244-001		
		230548-001 (USA)			231854-001 (OCR)		236127-001 (Australia)	230443-001 (OCR)		230549-001 (OCR)
E-23		230542-001 (Canada)			_____		230545-001 (Canada)		_____	

Machine Model		B845—9005									
Ref.No.	Sub-Class	Single Phase					Three Phase				
	Voltage (V)	110	120	220	230	240	220	380	415		
A-7	Bracket Assembly (L) #3	J00109-001					J00110-001				
A-12	DC.Motor Assembly	J80069-001 (A)					J80070-001 (A)	J80071-001 (B)			
A-19	Rotor	231006-001					231018-001				
A-50	Pulley	228840-001 M 80-1									
C-6-1	Treadle Unit Assembly #11	291790-002									
C-6-1-1	Circuit Board #11	291792-001									
C-6-1-4	Treadle Spring #5	231080-001									
C-6-2	Treadle Unit Assembly #10	291789-002									
C-6-2-1	Circuit Board #10	291791-001									
C-6-2-4	Treadle Spring #4-1	236207-001									
C-8	Perse Rock-16	228290-001						229224-001			
C-10	Trans Former	6V	229963-001	236126-001	229643-001	229645-001	229646-001	229643-001	229561-001	230214-001	
		12V			230660-001		231335-001	230660-001	229623-001	229644-001	
		NIL			J01166-001		J01183-001	J01166-001	J01197-001	J01215-001	
C-18	Fuse Holder Assembly	225433-001 (Q'ty1)					224087-001 (Q'ty2)				
C-19	Fuse	218469-001 (15A) (Q'ty1)			219255-001 (8A) (Q'ty1)		215822-000 (5A) (Q'ty2)	215769-001 (3A) (Q'ty2)			
C-20	Label	224090-001			233638-001		224089-001	229160-001			
C-37	Control Circuit Unit	388260-110			388260-123		388260-323	388260-340			
C-40	Power Circuit Unit	291273-101	J80120-101	291274-101			291275-101	291276-101			
E-15 E-23	Switch Assembly	229240-001			229237-001		229250-001	229244-001			
		230548-001 (USA)			231854-001 (OCR)		236127-001 (Australia)	230443-001 (OCR)	230549-001 (OCR)		
		230544-001 (Canada)						230545-001 (Canada)			

Machine Model		(APM)									
Ref.No.	Sub-Class	Single Phase					Three Phase				
	Voltage (V)	110	120	220	230	240	220	380	415		
A-7	Bracket Assembly (L) #3	J00109-001					S00110-001				
A-12	DC.Motor Assembly	J80069-001 (A)				J80070-001 (A)	J80071-001 (B)				
A-19	Rotor	231004-001					231018-001				
A-50	Pulley	228839-001 M 105-1									
C-6-1	Treadle Unit Assembly #11	291790-002									
C-6-1-1	Circuit Board #11	291792-001									
C-6-1-4	Treadle Spring #5	231080-001									
C-6-2	Treadle Unit Assembly #10	291789-002									
C-6-2-1	Circuit Board #10	291791-001									
C-6-2-4	Treadle Spring #4-1	236207-001									
C-8	Perse Rock-16	228290-001						229224-001			
C-10	Trans Former	6V	229963-001	236126-001	229643-001	229645-001	229646-001	229643-001	229561-001	230214-001	
		12V			230660-001		231335-001	230660-001	229623-001	229644-001	
		NIL			J01166-001		J01183-001	J01166-001	J01197-001	J01215-001	
C-18	Fuse Holder Assembly	225433-001 (Q'ty1)					224087-001 (Q'ty2)				
C-19	Fuse	218469-001 (5A) (Q'ty1)			219225-000 (8A) (Q'ty1)		215822-000 (5A) (Q'ty2)	215769-001 (3A) (Q'ty2)			
C-20	Label	224090-001			233638-001		224089-001	229160-001			
C-37	Control Circuit Unit	J80122-110			J80122-123		J80122-323	J80122-340			
C-40	Power Circuit Unit	291273-101	J80120-101	291274-101			291275-101	291276-101			
E-15 { E-23	Switch Assembly	229240-001			229237-001		229250-001	229244-001			
		230548-001 (USA)			231854-001 (OCR)		236127-001 (Australia)	230443-001 (OCR)	230549-001 (OCR)		
		230542-001 (Canada)						230545-001 (Canada)			

Machine Model		(LOCK-ABL · SBL)							
Ref.No.	Sub-Class	Single Phase					Three Phase		
	Voltage (V)	110	120	220	230	240	220	380	415
A-7	Bracket Assembly (L) #3	J00109-001					J00110-001		
A-12	DC.Motor Assembly	J80321-001 (AR)					J80073-001 (AR)	J80074-001 (BR)	
A-19	Rotor	231006-001						231007-001	
A-50	Pulley	231017-001 M 125-2							
C-6-1	Treadle Unit Assembly #11	291790-002							
C-6-1-1	Circuit Board #11	291792-001							
C-6-1-4	Treadle Spring #5	231080-001							
C-6-2	Treadle Unit Assembly #10	291789-002							
C-6-2-1	Circuit Board #10	291791-001							
C-6-2-4	Treadle Spring #4-1	236207-001							
C-8	Perse Rock-16	228290-001						229224-001	
C-10	Trans Former	6V	229963-001	229643-001	229645-001	229646-001	229643-001	229561-001	230214-001
		12V	—————	230660-001	—————	231335-001	230660-001	229623-001	229644-001
		NIL	—————	J00116-001	—————	J01183-001	J01166-001	J01197-001	J01215-001
C-18	Fuse Holder Assembly	225433-001 (Q'ty1)					224087-001 (Q'ty2)		
C-19	Fuse	218469-001 (5A) (Q'ty1)		219255-001 (8A) (Q'ty1)		215822-000 (5A) (Q'ty2)	215769-001 (3A) (Q'ty2)		
C-20	Label	224090-001		233638-001		224089-001	229160-001		
C-37	Control Circuit Unit	291784-110		291784-123		291784-323	291784-340		
C-40	Power Circuit Unit	291273-101	J80120-101	291274-101		291275-101	291276-101		
E-15 { E-23	Switch Assembly	229240-001		229237-001		229250-001	229244-001		
		230548-001 (USA)		231854-001 (Australia)		236127-001 (Australia)	230443-001 (OCR)	230549-001 (OCR)	
		230542-001 (Canada)		—————		230545-001 (Canada)	—————		

Machine Model		B7380							
Ref.No.	Sub-Class	Single Phase					Three Phase		
	Voltage (V)	110	120	220	230	240	220	380	415
A-7	Bracket Assembly (L) #3	J00109-001					S00110-001		
A-12	DC.Motor Assembly	J80069-001 (A)				J80070-001 (A)	J80071-001 (B)		
A-19	Rotor	231004-001					231018-001		
A-50	Pulley	228237-001 M 90-1							
		231017-001 M 125-2							
D-6-1	Treadle Unit Assembly #8	291442-002							
D-6-1-1	Circuit Board #8	291443-001							
D-6-1-4	Treadle Spring #5	231080-001							
D-6-2	Treadle Unit Assembly #7	291281-002							
D-6-2-1	Circuit Board #7	291282-001							
D-6-2-4	Treadle Spring #4-1	236207-001							
D-8	Perse Rock-16	228290-001					229224-001		
D-10	Trans Former	6V	229946-001	229218-001	229222-001	229223-001	229218-001	229219-001	230435-001
		12V	_____	230661-001	_____	231336-001	230661-001	229220-001	229221-001
		NIL	_____	J01174-001	_____	J01192-001	J01174-001	J01209-001	J01224-001
D-18	Fuse Holder Assembly	225433-001 (Q'ty1)				224087-001 (Q'ty2)			
D-19	Fuse	218469-001 (5A) (Q'ty1)	219225-000 (8A) (Q'ty1)			215822-000 (5A) (Q'ty2)	215769-001 (3A) (Q'ty2)		
D-20	Label	224090-001	233638-001			224089-001	229160-001		
D-37	Control Circuit Unit	291786-110	291786-123			291786-323	291786-340		
D-38	Control Circuit Unit	291788-001							
D-38-1	PROM	234032-001 (A25A)							
D-39	Power Circuit Unit	291273-101	291274-101			291275-101	291276-101		
E-15 E-23	Switch Assembly	229240-001	229237-001			229250-101	229244-001		
		230548-001 (USA)	231854-001 (OCR)	236127-001 (Australia)	230443-001 (OCR)	230549-001 (OCR)			
		230542-001 (Canada)	_____			230545-001 (Canada)	_____		

Machine Model		B7910							
Ref.No.	Sub-Class	Single Phase					Three Phase		
	Voltage (V)	110	120	220	230	240	220	380	415
A-7	Bracket Assembly (L) #3	500109-001					500110-001		
A-12	DC.Motor Assembly	J80069-001 (A)					J80070-001 (A)	J80071-001 (B)	
A-19	Rotor	231004-001					231018-001		
A-50	Pulley	228237-001 M 90-1							
		228839-001 M 105-2							
D-6-1	Treadle Unit Assembly #8	291442-002							
D-6-1-1	Circuit Board #8	291443-001							
D-6-1-4	Treadle Spring #5	231080-001							
D-6-2	Treadle Unit Assembly #7	291281-002							
D-6-2-1	Circuit Board #7	291282-001							
D-6-2-4	Treadle Spring #4-1	236207-001							
D-8	Perse Rock-16	228290-001					229224-001		
D-10	Trans Former	6V	229946-001	229218-001	229222-001	229223-001	229218-001	229219-001	230435-001
		12V	————	230661-001	————	231336-001	230661-001	229220-001	229221-001
		NIL	————	J01174-001	————	J01192-001	J01174-001	J01209-001	J01224-001
D-18	Fuse Holder Assembly	225433-001 (Q'ty1)					224087-001 (Q'ty2)		
D-19	Fuse	218469-001 (15A) (Q'ty1)	219225-000 (8A) (Q'ty1)			215822-000 (5A) (Q'ty2)	215769-001 (3A) (Q'ty2)		
D-20	Label	224090-001	233638-001			224089-001	229160-001		
D-37	Control Circuit Unit	291786-110	291786-123			291786-323	291786-340		
D-38	Control Circuit Unit	388255-001							
D-38-1	PROM	234034-001 (A25E)							
D-39	Power Circuit Unit	291273-101	291274-101			291275-101	291276-101		
E-15 { E-23	Switch Assembly	229240-001	229237-001			229250-101	229244-001		
		230548-001 (USA)	231854-001 (OCR)		236127-001 (Australia)	230443-001 (OCR)	230549-001 (OCR)		
		230542-001 (Canada)	————			230545-001 (Canada)	————		

Machine Model		B7740							
Ref.No.	Sub-Class	Single Phase					Three Phase		
	Voltage (V)	110	120	220	230	240	220	380	415
A-7	Bracket Assembly (L) #3	J00109-001					J00110-001		
A-12	DC.Motor Assembly	J80069-001 (A)				J80070-001 (A)	J80071-001 (B)		
A-19	Rotor	231004-001					231018-001		
A-50	Pulley	228237-001 M 90-1							
		228839-001 M 105-2							
D-6-1	Treadle Unit Assembly #8	291442-002							
D-6-1-1	Circuit Board #8	291443-001							
D-6-1-4	Treadle Spring #5	231080-001							
D-6-2	Treadle Unit Assembly #7	291281-002							
D-6-2-1	Circuit Board #7	291282-001							
D-6-2-4	Treadle Spring #4-1	236207-001							
D-8	Perse Rock-16	228290-001					229224-001		
D-10	Trans Former	6V	229946-001	229218-001	229222-001	229223-001	229218-001	229219-001	230435-001
		12V	_____	230661-001	_____	231336-001	230661-001	229220-001	229221-001
		NIL	_____	J01174-001	_____	J01192-001	J01174-001	J01209-001	J01224-001
D-18	Fuse Holder Assembly	225433-001 (Q'ty1)				224087-001 (Q'ty2)			
D-19	Fuse	218469-001 (15A) (Q'ty1)	219225-000 (8A) (Q'ty1)			215822-000 (5A) (Q'ty2)	215769-001 (3A) (Q'ty2)		
D-20	Label	224090-001	233638-001			224089-001	229160-001		
D-37	Control Circuit Unit	291786-110	291786-123			291786-323	291786-340		
D-38	Control Circuit Unit	388256-001							
D-38-1	PROM	235039-001 (A25H)							
D-39	Power Circuit Unit	291273-101	291274-101			291275-101	291276-101		
E-15	Switch Assembly	229240-001	229237-001			229250-001	229244-001		
		230548-001 (USA)	231854-001 (OCR)	236127-001 (Australia)	230443-001 (OCR)	230549-001 (OCR)			
		230542-001 (Canada)	_____			230545-001 (Canada)	_____		
E-23		_____			_____	_____			

Machine Model		B8450							
Ref.No.	Sub-Class	Single Phase					Three Phase		
	Voltage (V)	110	120	220	230	240	220	380	415
A-7	Bracket Assembly (L) #3	J00109-001					J00110-001		
A-12	DC.Motor Assembly	J80069-001 (A)				J80070-001 (A)	J80071-001 (B)		
A-19	Rotor	231004-001					231018-001		
A-50	Pulley	228840-001 M 80-1							
D-6-1	Treadle Unit Assembly #8	291442-002							
D-6-1-1	Circuit Board #8	291443-001							
D-6-1-4	Treadle Spring #5	231080-001							
D-6-2	Treadle Unit Assembly #7	291281-002							
D-6-2-1	Circuit Board #7	291282-001							
D-6-2-4	Treadle Spring #4-1	236207-001							
D-8	Perse Rock-16	228290-001					229224-001		
D-10	Trans Former	6V	229946-001	229218-001	229222-001	229223-001	229218-001	229219-001	230435-001
		12V	_____	230661-001	_____	231336-001	230661-001	229220-001	229221-001
		NIL	_____	J01174-001	_____	J01192-001	J01174-001	J01209-001	J01224-001
D-18	Fuse Holder Assembly	225433-001 (Q'ty1)				224087-001 (Q'ty2)			
D-19	Fuse	218469-001 (15A) (Q'ty1)	219225-000 (8A) (Q'ty1)			215822-000 (5A) (Q'ty2)	215769-001 (3A) (Q'ty2)		
D-20	Label	224090-001	233638-001			224089-001	229160-001		
D-37	Control Circuit Unit	388259-110	388259-123			388259-323	388259-340		
D-38	Control Circuit Unit	388257-001							
D-38-1	PROM	235041-001 (A30E)							
D-39	Power Circuit Unit	291273-101	291274-101			291275-101	291276-101		
E-15	Switch Assembly	229240-001	229237-001			229250-001	229244-001		
		230548-001 (USA)	231854-001 (OCR)	236127-001 (Australia)	230443-001 (OCR)	230549-001 (OCR)			
E-23		230542-001 (Canada)	_____			230545-001 (Canada)	_____		

CONTROL BOX FOR SUPPLY LIST

Voltage		Power Source		7.8.9 Digit										Motor																			
				Parts Code No.		1~6 Digit		020		025		035				040		045		050		047		033		038		043					
La mp		r.p.m		Destination		r.p.m		B798		B737 Mark II		B791		B791		B737		B852		Twin Needle		Code No.		Type									
110V		6V		USA		USA		USA		USA		USA		USA		USA		USA		USA		USA		USA									
				Taiwan		Taiwan		Taiwan		Taiwan		Taiwan		Taiwan		Taiwan		Taiwan		Taiwan		Taiwan		Taiwan		Taiwan							
				Mexico		Mexico		Mexico		Mexico		Mexico		Mexico		Mexico		Mexico		Mexico		Mexico		Mexico		Mexico		Mexico					
				Taiwan		Taiwan		Taiwan		Taiwan		Taiwan		Taiwan		Taiwan		Taiwan		Taiwan		Taiwan		Taiwan		Taiwan		Taiwan					
				Germany		Germany		Germany		Germany		Germany		Germany		Germany		Germany		Germany		Germany		Germany		Germany		Germany					
				New Zealand		New Zealand		New Zealand		New Zealand		New Zealand		New Zealand		New Zealand		New Zealand		New Zealand		New Zealand		New Zealand		New Zealand		New Zealand					
				Australia		Australia		Australia		Australia		Australia		Australia		Australia		Australia		Australia		Australia		Australia		Australia		Australia					
				U.Kingdom		U.Kingdom		U.Kingdom		U.Kingdom		U.Kingdom		U.Kingdom		U.Kingdom		U.Kingdom		U.Kingdom		U.Kingdom		U.Kingdom		U.Kingdom		U.Kingdom					
				220V		6V		USA		USA		USA		USA		USA		USA		USA		USA		USA		USA		USA		USA			
								Taiwan		Taiwan		Taiwan		Taiwan		Taiwan		Taiwan		Taiwan		Taiwan		Taiwan		Taiwan		Taiwan		Taiwan		Taiwan	
Germany		Germany						Germany		Germany		Germany		Germany		Germany		Germany		Germany		Germany		Germany		Germany		Germany					
New Zealand		New Zealand						New Zealand		New Zealand		New Zealand		New Zealand		New Zealand		New Zealand		New Zealand		New Zealand		New Zealand		New Zealand		New Zealand					
Australia		Australia						Australia		Australia		Australia		Australia		Australia		Australia		Australia		Australia		Australia		Australia		Australia					
U.Kingdom		U.Kingdom						U.Kingdom		U.Kingdom		U.Kingdom		U.Kingdom		U.Kingdom		U.Kingdom		U.Kingdom		U.Kingdom		U.Kingdom		U.Kingdom		U.Kingdom					
380V		6V						USA		USA		USA		USA		USA		USA		USA		USA		USA		USA		USA		USA			
								Taiwan		Taiwan		Taiwan		Taiwan		Taiwan		Taiwan		Taiwan		Taiwan		Taiwan		Taiwan		Taiwan		Taiwan		Taiwan	
								Germany		Germany		Germany		Germany		Germany		Germany		Germany		Germany		Germany		Germany		Germany		Germany		Germany	
								New Zealand		New Zealand		New Zealand		New Zealand		New Zealand		New Zealand		New Zealand		New Zealand		New Zealand		New Zealand		New Zealand		New Zealand		New Zealand	
				Australia		Australia		Australia		Australia		Australia		Australia		Australia		Australia		Australia		Australia		Australia		Australia		Australia					
				U.Kingdom		U.Kingdom		U.Kingdom		U.Kingdom		U.Kingdom		U.Kingdom		U.Kingdom		U.Kingdom		U.Kingdom		U.Kingdom		U.Kingdom		U.Kingdom		U.Kingdom					
				415V		12V		USA		USA		USA		USA		USA		USA		USA		USA		USA		USA		USA		USA			
								Taiwan		Taiwan		Taiwan		Taiwan		Taiwan		Taiwan		Taiwan		Taiwan		Taiwan		Taiwan		Taiwan		Taiwan		Taiwan	
								Germany		Germany		Germany		Germany		Germany		Germany		Germany		Germany		Germany		Germany		Germany		Germany		Germany	
								New Zealand		New Zealand		New Zealand		New Zealand		New Zealand		New Zealand		New Zealand		New Zealand		New Zealand		New Zealand		New Zealand		New Zealand		New Zealand	
Australia		Australia						Australia		Australia		Australia		Australia		Australia		Australia		Australia		Australia		Australia		Australia		Australia					
U.Kingdom		U.Kingdom						U.Kingdom		U.Kingdom		U.Kingdom		U.Kingdom		U.Kingdom		U.Kingdom		U.Kingdom		U.Kingdom		U.Kingdom		U.Kingdom		U.Kingdom					

CONTROL BOX FOR SUPPLY LIST

Power Source	Voltage	Lamp	Treatment Unit	Destination	7.8.9 Digit					Motor Code No.	Type				
					1-6 Digit	035	040	050	1-6 Digit			010	025		
					r.p.m	3500	4000	5000	r.p.m	1000	2500				
110V	6V	#11	USA		B730 NBN <Single Phase>					B883 BAST <Single Phase>					
					J80129	GB573A	J80130	GB206A	J80069001	MD-806A					
					J80331	GB573A	J80332	GB206A							
					J80134	GA573A	J80135	GA206A							
					J80138	GB573A	J80139	GB206A							
					J80040	GB573A	J80082	GB206A							
	6V	#11				J80042	GA573A	J80154	GA206A						
						J80037	GB573B	J80143	GB206B						
						J80158	GB573C	J80159	GB206C						
						J80172	GA573C	J80173	GA206C						
						J80186	GB573A	J80187	GB206A						
						J80045	GA573A	J80191	GA206A						
230V	6V	#11			J80195	GB573C	J80196	GB206C							
					J80210	GB573A	J80211	GB206A							
					J80205	GB573B	J80206	GB206B							
	NIL	#11				J80216	GB573C	J80217	GB206C						
						B730 NBN <Three Phase>					B883 BAST <Three Phase>				
						J80051	GB573A	J80052	GB206A	J80070001	MD-816A				
220V	6V	#11	USA		J80337	GB573A	J80338	GB206A							
					J80238	GA573A	J80239	CA206A							
					J80231	GB573B	J80232	GB206B							
					J80244	GB573C	J80245	GB206C							
					J80258	GA573C	J80259	GA206C							
					J80060	GB573A	J80273	GB206A	J80071001	MD-816B					
	6V	#11				J80276	GA573A	J80277	GA206A						
						J80056	GB573B	J80057	GB206B						
						J80282	GB573C	J80283	GB206C						
						J80298	GB573A	J80299	GB206A						
						J80064	GB573B	J80065	GB206B						
						J80304	GB573C	J80305	GB206C						
415V	NIL	#11													

111 J1112 801 X09 J011111111

CONTROL BOX FOR SUPPLY LIST

Voltage		Parts Code No.		7.8.9 Digit			1~6 Digit			Motor									
													Power Source	La mp	Trea- dle Unit	Destimation	1~6 Digit	r.p.m.	1~6 Digit
		020	024	026	020	024	026	020	024	026									
		2000	2400	2600	2000	2400	2600	2000	2400	2600									
		P62, P64 <Single Phase>			C51, P73, P81 <Single Phase>														
110V	6V	#11	GB31LA	GB32LA	GB33LA	J80132	GB31LA	GB32LA	GB33LA	J80131	GB31PA	GB32PA	GB33PA	J80069001	MD-806A				
		#11	GB31LA	GB32LA	GB33LA	J80333	GB31LA	GB32LA	GB33LA	J80334	GB31PA	GB32PA	GB33PA						
		#10	GA31LA	GA32LA	GA33LA	J80137	GA31LA	GA32LA	GA33LA	J80136	GA31PA	GA32PA	GA33PA						
		#11	GB31LA	GB32LA	GB33LA	J80141	GB31LA	GB32LA	GB33LA	J80140	GB31PA	GB32PA	GB33PA						
		#11	GB31LA	GB32LA	GB33LA	J80153	GB31LA	GB32LA	GB33LA	J80152	GB31PA	GB32PA	GB33PA						
		#10	GA31LA	GA32LA	GA33LA	J80155	GA31LA	GA32LA	GA33LA	J80354	GA31PA	GA32PA	GA33PA						
		#11	GB31LB	GB32LB	GB33LB	J80145	GB31LB	GB32LB	GB33LB	J80144	GB31PB	GB32PB	GB33PB						
		#11	GB31LC	GB32LC	GB33LC	J80161	GB31LC	GB32LC	GB33LC	J80160	GB31PC	GB32PC	GB33PC						
		#10	GA31LC	GA32LC	GA33LC	J80175	GA31LC	GA32LC	GA33LC	J80174	GA31PC	GA32PC	GA33PC						
		#11	GB31LA	GB32LA	GB33LA	J80189	GB31LA	GB32LA	GB33LA	J80188	GB31PA	GB32PA	GB33PA						
230V	6V	#10	GA31LA	GA32LA	GA33LA	J80193	GA31LA	GA32LA	GA33LA	J80192	GA31PA	GA32PA	GA33PA						
		#11	GB31LC	GB32LC	GB33LC	J80198	GB31LC	GB32LC	GB33LC	J80197	GB31PC	GB32PC	GB33PC						
		#11	GB31LA	GB32LA	GB33LA	J80213	GB31LA	GB32LA	GB33LA	J80212	GB31PA	GB32PA	GB33PA						
		#11	GB31LB	GB32LB	GB33LB	J80208	GB31LB	GB32LB	GB33LB	J80207	GB31PB	GB32PB	GB33PB						
240V	NIL	#11	GB31LC	GB32LC	GB33LC	J80219	GB31LC	GB32LC	GB33LC	J80218	GB31PC	GB32PC	GB33PC						
		P62, P64 <Three Phase>																	
		220V	6V	#11	GB31LA	GB32LA	GB33LA	J80237	GB31LA	GB32LA	GB33LA	J80236	GB31PA			GB32PA	GB33PA	J80070001	MD-816A
				#11	GB31LA	GB32LA	GB33LA	J80339	GB31LA	GB32LA	GB33LA	J80340	GB31PA			GB32PA	GB33PA		
				#10	GA31LA	GA32LA	GA33LA	J80241	GA31LA	GA32LA	GA33LA	J80240	GA31PA			GA32PA	GA33PA		
				#11	GB31LB	GB32LB	GB33LB	J80234	GB31LB	GB32LB	GB33LB	J80233	GB31PB			GB32PB	GB33PB		
				#11	GB31LC	GB32LC	GB33LC	J80247	GB31LC	GB32LC	GB33LC	J80246	GB31PC			GB32PC	GB33PC		
				#10	GA31LC	GA32LC	GA33LC	J80261	GA31LC	GA32LC	GA33LC	J80260	GA31PC			GA32PC	GA33PC		
				#11	GB31LA	GB32LA	GB33LA	J80275	GB31LA	GB32LA	GB33LA	J80274	GB31PA			GB32PA	GB33PA		
				#10	GA31LA	GA32LA	GA33LA	J80279	GA31LA	GA32LA	GA33LA	J80278	GA31PA			GA32PA	GA33PA		
#11	GB31LB			GB32LB	GB33LB	J80272	GB31LB	GB32LB	GB33LB	J80271	GB31PB	GB32PB	GB33PB						
380V	6V			#11	GB31LC	GB32LC	GB33LC	J80285	GB31LC	GB32LC	GB33LC	J80284	GB31PC	GB32PC	GB33PC	J80071001	MD-816B		
		#11	GB31LA	GB32LA	GB33LA	J80301	GB31LA	GB32LA	GB33LA	J80300	GB31PA	GB32PA	GB33PA						
		#11	GB31LB	GB32LB	GB33LB	J80297	GB31LB	GB32LB	GB33LB	J80296	GB31PB	GB32PB	GB33PB						
		#11	GB31LC	GB32LC	GB33LC	J80307	GB31LC	GB32LC	GB33LC	J80306	GB31PC	GB32PC	GB33PC						
		415V	6V	#11	GB31LA	GB32LA	GB33LA	J80301	GB31LA	GB32LA	GB33LA	J80300	GB31PA	GB32PA	GB33PA				
				#11	GB31LB	GB32LB	GB33LB	J80297	GB31LB	GB32LB	GB33LB	J80296	GB31PB	GB32PB	GB33PB				

CONTROL BOX FOR SUPPLY LIST

Power Source	Voltage	Lamp	Treadle Unit	Destination	7.8.9 Digit						Code No.	Motor Type				
					Parts Code No.	1-6 Digit	125	135	140	14000			1-6 Digit	133	138	143
110V	6V	#11	#11		APM (B7700) <Single Phase>						B845-900S <Single Phase>	J80069001	MD-806A			
					388613											
					388614											
					388622											
					388625											
					388659											
	12V	#11	#11	#11		APM (B7700) <Single Phase>						B845-900S <Single Phase>	J80069001	MD-806A		
						388615										
						385088										
						J80164										
						J80179										
						388661										
230V	6V	#11	#11		APM (B7700) <Three Phase>						B845-900S <Three Phase>	J80070001	MD-816A			
					388632											
					J80200											
					388637											
					388636											
					J80222											
240V	6V	#11	#11		APM (B7700) <Three Phase>						B845-900S <Three Phase>	J80071001	MD-816B			
					388640											
					388641											
					388639											
					385188											
					J80250											
	12V	#11	#11	#11		APM (B7700) <Three Phase>						B845-900S <Three Phase>	J80071001	MD-816B		
						J80264										
						388644										
						388652										
						388643										
						385215										
380V	6V	#11	#11		APM (B7700) <Three Phase>						B845-900S <Three Phase>	J80071001	MD-816B			
					J80288											
					388657											
					388656											
					J80310											
415V	6V	#11	#11		APM (B7700) <Three Phase>						B845-900S <Three Phase>	J80071001	MD-816B			
					J80310											

CONTROL BOX FOR SUPPLY LIST

Voltage		Parts Code No.		7.8.9 Digit		Destination		Motor		
		1~6 Digit	135	150	5000					1~6 Digit
Power Source	La mp	Trea- dle Unit	r.p.m	3500	5000	r.p.m	3500	4500	Code No.	Type
B7380 <Single Phase>										
110V	6V	#11	385047		GB578A	385048		GB469A	J80069001	MD-806A
			385057		GA578A	385058		GA469A		
120V	6V	#11	385066		GB578A	385067		GB469A	J80069001	MD-806A
			385093		GB578A	385094		GB469A		
220V	6V	#10	385112		GA578A	385113		GA469A	J80069001	MD-806A
			385075		GB578B	385076		GB469B		
	12V	#11	385084		GB578B	385085		GB469B	J80069001	MD-806A
			J80167		GB578C	J80168		GB469C		
230V	NIL	#10	J80182		GA578C	J80183		GA469C	J80069001	MD-806A
			385121		GB578A	385122		GB469A		
	6V	#10	385131		GA578A	385132		GA469A	J80069001	MD-806A
			385140		GA578C	J80202		GA469C		
240V	6V	#11	385159		GB578A	385160		GB469A	J80069001	MD-806A
			385149		GB578B	385150		GB469B		
	NIL	#11	J80225		GB578C	J80226		GB469C	J80069001	MD-806A
B7380 <Three Phase>										
220V	6V	#11	385193		GB578A	385194		GB469A	J80070001	MD-816A
			385061		GA578A	385070		GA469A		
	12V	#11	385176		GB578B	385177		GB469B	J80070001	MD-816A
			385184		GB578B	385185		GB469B		
380V	NIL	#11	J80253		GB578C	J80254		GB469C	J80071001	MD-816B
			J80267		GA578C	J80268		GA469C		
	6V	#10	385220		GB578A	385221		GB469A	J80071001	MD-816B
			385144		GA578A	385153		GA469A		
415V	12V	#11	385202		GB578B	385203		GB469B	J80071001	MD-816B
			385211		GB578B	385212		GB469B		
	NIL	#11	J80291		GB578C	J80292		GB469C	J80071001	MD-816B
			385240		GB578A	385241		GB469A		
	6V	#11	385231		GB578B	385232		GB469B	J80071001	MD-816B
			J80313		GB578C	J80149		GB469C		

CONTROL BOX FOR SUPPLY LIST

Power Source	Voltage	Lamp	Treating Unit	Destination	7.8.9 Digit					Code No.	Motor Type			
					Parts Code No.	1-6 Digit	135	140	145			4500		
B7740 <Single Phase>														
110V	6V	#11	#10		385049							J80069001	MD-806A	
					385059									
120V	6V	#11	#11		385068									
220V	6V	#11	#10		385095									
					385114									
	12V	#11	#11		385077									
					385086									
	NIL	#11	#10		J80169									
					J80184									
230V	6V	#11	#10		385123									
					385133									
	NIL	#11	#11		J80203									
240V	6V	#11	#11		385161									
	12V	#11	#11		385151									
	NIL	#11	#11		J80227									
B7740 <Three Phase>														
220V	6V	#11	#10		385195								J80070001	MD-816A
					385079									
	12V	#11	#11		385178									
					385186									
					J80255									
	NIL	#10	#10		J80269									
380V	6V	#11	#10		385222								J80071001	MD-816B
					385163									
	12V	#11	#11		385204									
					385213									
	NIL	#11	#11		J80293									
415V	6V	#11	#11		385242									
	12V	#11	#11		385233									
	NIL	#11	#11		J80150									
B8450 <Single Phase>														
					385050									
					385060									
					385069									
					385096									
					385115									
					385078									
					385087									
					J80170									
					J80185									
					385124									
					385134									
					J80204									
					385162									
					385152									
					J80228									
B8450 <Three Phase>														
					385196									
					385097									
					385179									
					385187									
					J80256									
					J80270									
					385223									
					385226									
					385205									
					385214									
					J80294									
					385243									
					385234									
					J80151									

CONTROL BOX FOR SUPPLY LIST

Voltage		Parts Code No.		7,8,9 Digit		Motor		
Power Source	Load Unit	1~6 Digit	045	060	1~6 Digit	160	180	
Temp	Unit	r.p.m	4500	6000	r.p.m	6000	8000	
Destination		COV (節り) <Single Phase>		Lock-ABL <Single Phase>		Code No.		
		COV (節り) <Three Phase>		Lock-ABL <Three Phase>		Type		
110V	#11	J80126	GB58WA		385053	GB59YA	J80321001	MD-807AR
	6V	J80335	GB58WA		385063	GA59YA		
	#10	J80133	GA58WA		385072	GB59YA		
	#11	J80142	GB58WA		385099	GB59YA		
	#11	J80085	GB58WA		385118	GA59YA		
	6V	J80156	GA58WA		385081	GB59YB		
	12V	J80146	GB58WB		385090	GB59YB		
	#11	J80165	GB58WC		J80166	GB59YC		
	#11	J80180	GA58WC		J80181	GA59YC		
	#10	J80190	GB58WA		385127	GB59YA		
230V	#11	J80194	GA58WA		385137	GA59YA		
	#10	J80201	GB58WC		J80148	GB59YC		
	NIL	J80214	GB58WA		385165	GB59YA		
	6V	J80209	GB58WB		385155	GB59YB		
	12V	J80223	GB58WC		J80224	GB59YC		
240V	NIL	J80053	GB58WA		385198	GB59YA	J80073001	MD-817AR
	#11	J80341	GB58WA		385116	GA59YA		
	6V	J80242	GA58WA		385181	GB59YB		
	#10	J80235	GB58WB		385190	GB59YB		
	#11	J80251	GB58WC		J80252	GB59YC		
	12V	J80265	GA58WC		J80266	GA59YC		
	NIL	J80061	GB58WA		385225	GB59YA		
	6V	J80280	GA58WA		385228	GA59YA		
	#11	J80058	GB58WB		385207	GB59YB		
	#10	J80289	GB58WC		385217	GB59YB		
380V	#11	J80302	GB58WA		J80290	GB59YC	J80074001	MD-817BR
	6V	J80066	GB58WB		385245	GB59YA		
	12V	J80311	GB58WC		385236	GB59YB		
	NIL	J80311	GB58WC		J80312	GB59YC		
	NIL	J80311	GB58WC		J80312	GB59YC		
415V	#11	J80053	GB58WA		385198	GB59YA	J80073001	MD-817AR
	#11	J80341	GB58WA		385116	GA59YA		
	6V	J80242	GA58WA		385181	GB59YB		
	#10	J80235	GB58WB		385190	GB59YB		
	#11	J80251	GB58WC		J80252	GB59YC		

INDEX / VERZEICHNIS /
INDEX / INDICE

PARTS NO.	REF. NO.	PARTS NO.	REF. NO.
J00021-001	H-11-24	J00901-001	B-4-2
J00022-001	H-11-27	J00952-001	B-11
J00025-001	B-21	J01166-001	B-6,C-10
J00048-001	B-28,C-42	J01174-001	D-10
J00074-001	A-13,B-14	J01183-001	B-6,C-10
J00106-001	A-54	J01192-001	D-10
J00107-001	A-4	J01197-001	B-6,C-10
J00109-001	A-7	J01209-001	D-10
J00110-001	A-7	J01215-001	B-6,C-10
J00112-001	A-16-1	J01224-001	D-10
J00116-001	B-1	J01293-001	B-6
J00117-001	B-32	J01294-001	B-6
J00117-002	B-32	J01295-001	B-6
J00117-003	B-32	J01370-001	B-12
J00118-001	B-16	J80068-001	A-12
J00119-001	B-3	J80069-001	A-12
J00120-001	B-4-1	J80070-001	A-12
J00121-001	B-31	J80071-001	A-12
J00128-001	A-42-3	J80073-001	A-12
J00130-001	A-43	J80074-001	A-12
J00143-001	A-55	J80089-001	B-25
J00146-001	A-27	J80090-001	B-25
J00147-001	A-29	J80091-001	B-25
J00148-001	A-28	J80092-001	B-25
J00149-001	A-31	J80093-001	B-25
J00155-001	B-33	J80095-001	B-25
J00165-001	B-35	J80096-001	B-25
J00167-001	B-36	J80097-001	B-25
J00169-001	B-37	J80098-001	B-25
J00179-001	B-17	J80100-001	B-25
J00189-001	B-29	J80101-001	B-25
J00212-001	B-37	J80102-001	B-25
J00239-001	B-35	J80103-001	B-25
J00283-001	B-40	J80105-001	B-25
J00325-001	B-36	J80106-001	B-25
J00337-001	B-41	J80107-001	B-25
J00351-001	A-56	J80109-001	B-25
J00353-001	B-2,C-2,C-13,D-2,D-13	J80111-001	B-25
J00440-001	B-35	J80112-001	B-25
J00452-001	E-15	J80113-001	B-25
J00453-001	E-21	J80115-001	B-18
J00455-001	E-15	J80116-001	B-18
J00460-001	E-16	J80117-001	B-18
J00462-001	E-21	J80118-001	B-18
J00464-001	E-17	J80119-001	B-18
J00464-001	E-16	J80120-101	C-40
J00468-001	E-20	J80122-110	C-37
J00470-001	E-18	J80122-123	C-37
J00471-001	E-22	J80122-323	C-37
J00473-001	E-19	J80122-340	C-37
J00475-001	E-21	J80315-001	B-25
J00650-001	B-35	J80316-001	B-25
J00653-001	B-34	J80318-001	B-25
J00654-001	C-1,D-1	J80319-001	A-42
J00700-001	B-6	J80321-001	A-12
J00717-001	B-6	S02701-001	G-27
J00718-001	B-6	S02702-001	G-22
J00719-001	B-6	S02703-001	G-23
J00720-001	B-6	S03816-001	E-24
J00721-001	B-6	S14823-001	H-11-12

COMPTON CORPORATION

PARTS NO.	REF. NO.	PARTS NO.	REF. NO.
008400-805	A-18-5	219225-000	B-26, C-35, D-34
018400-832	C-23, D-23	219517-000	A-46
021080-206	A-37	219582-001	A-32
021080-302	H-10-6, H-11-6	219603-001	A-33
021100-206	A-9	221024-001	C-28, D-36
021140-305	A-53	222372-001	A-34
021400-305	H-11-26	222753-000	A-45
025030-132	G-18	223738-001	E-22-1
025040-173	C-34, D-33	223739-001	E-21-1
025040-335	H-11-23	224087-001	B-19, C-18, D-18
025100-236	A-10	224089-001	C-20, D-20
026350-132	G-15	224090-001	C-20, D-20
028030-242	G-17	224475-001	A-1
028040-245	C-24, C-33, D-24 D-27, D-32	224476-000	A-3
		224485-000	A-20
028080-242	H-10-5, H-11-5	224487-000	A-21
028080-246	A-36	224503-001	A-48
028100-246	A-11	224504-001	A-18-4
028350-242	G-14	224508-001	A-57
031311-302	H-4	224510-001	E-18-1, E-19-1, E-20-1
060671-212	E-9, F-4	224513-001	E-19-3
061300-605	H-1-3	224540-001	A-6
061400-402	H-10-17, H-11-19	225432-001	C-21, D-21
061401-205	H-10-9, H-11-9, H-11-28	225433-001	C-18, D-18
062061-005	A-5	225534-001	H-11-21
062301-402	G-16	225539-001	E-15-1, E-16-1, E-17-1
062401-263	C-32, D-30	226671-001	A-18-3
062402-005	H-11-22	226992-001	A-2
062670-612	G-21	228216-001	A-41
062670-812	G-40	228221-001	A-14
062672-012	G-13	228237-001	A-50
062680-812	G-26	228243-001	E-15-2
062681-212	E-8, F-5	228272-001	E-19-2
076202-801	A-22, A-42-2	228280-002	C-22, D-22
090181-120	H-1-11	228284-001	B-7, C-9, D-9
104821-001	B-5, C-5, D-5	228287-002	C-12, D-12
142268-001	G-30	228290-001	B-15-1, C-8-1, D-8-1
151431-001	G-32	228294-001	C-36, D-40
200190-001	E-25, H-13	228324-001	C-29
203684-001	A-26	228414-002	D-26
210965-081	A-8	228415-001	D-28
211528-001	A-44, A-51	228475-000	H-10-25, H-11-35
213650-001	A-35	228831-002	B-39-2-1, C-6-2-1
214897-001	A-25	228839-001	A-50
215080-001	A-15, A-42-4	228840-000	A-50
215081-001	A-17	228957-001	H-11-25
215082-001	B-22	229017-001	B-39-1-3, C-6-1-3
215082-002	F-3	229160-001	C-20, D-20
215082-002	E-7	229208-001	D-35
215504-001	E-23-1	229218-001	D-10
215769-001	B-20, C-19	229219-001	D-10
215822-000	B-13, B-20, C-19, D-19	229220001	D-10
215971-001	B-9-1, C-4-1, D-4-1	229221-001	D-10
216596-001	C-7, D-7	229222-001	D-10
216740-001	C-25, D-25	229223-001	D-10
216872-001	B-8, C-11, C-17 D-11, D17	229224-001	B-15-2, C-8-2, D-8-2
		229237-001	E-16
217093-001	C-30, H-10-16, H-11-18	229238-001	E-16-2
217133-001	A-30	229239-001	E-16-3
218469-001	C-19, D-19	229240-001	E-15

PARTS NO.	REF. NO.	PARTS NO.	REF. NO.
229241-001	E-15-3,E-17-3	233121-007	C-26
229244-001	E-18	233123-003	C-38
229245-001	E-18-2	233146-001	C-43
229246-001	E-18-3	233193-001	B-27,C-39
229250-001	E-19	233198-002	H-1-1
229335-001	A-18-2	233201-002	H-1-2
229558-002	C-41	233202-001	H-1-10
229559-001	C-27	233203-001	H-1-4
229561-001	B-6,C-10	233204-001	H-1-5
229623-001	B-6,C-10	233205-001	H-1-6
229643-001	B-6,C-10	233206-001	H-1-7
229644-001	B-6,C-10	233207-001	H-1-8
229645-001	B-6,C-10	233208-001	H-1-9
229646-001	B-6,C-10	233209-001	H-1-12
229946-001	D-10	233210-001	H-1-13
229963-001	B-6,C-10	233211-001	H-1-14
230214-001	B-6,C-10	233217-001	H-10-1
230431-001	A-18	233221-003	H-10-2,H-11-2
230432-001	A-18-1	233222-003	H-10-3,H-11-3
230435-001	D-10	233223-001	H-10-4,H-11-4
230443-001	E-22	233224-002	H-10-7,H-11-7
230444-001	E-22-2	233225-001	H-10-15
230445-001	E-22-3	233228-001	H-10-12
230542-001	E-17	233229-001	H-10-13,H-11-13
230543-001	E-17-2	233230-001	H-10-14,H-11-14
230545-001	E-20	233231-001	H-10-8,H-11-17
230546-001	E-20-2	233232-001	H-10-11,H-11-11
230547-001	E-20-3	233233-001	H-10-10,H-11-10
230548-001	E-21	233234-001	H-10-18
230549-001	E-23	233236-001	H-3,H-11-33
230550-001	E-23-2	233246-001	H-10-20,H-11-29
230551-001	E-23-3	233250-001	H-10-21,H-11-31
230660-001	B-6,C-10	233251-003	H-10-22
230661-001	D-10	233258-002	F-1-1
231004-001	A-19	233263-001	F-7
231006-001	A-19	233268-002	F-1-2
231007-001	A-19	233378-001	H-2
231008-001	A-23	233487-002	H-10-24,H-11-34
231009-001	A-24	233488-002	H-10-24
231013-001	A-49	233491-001	H-12
231017-001	A-50	233494-001	H-10-18
231018-001	A-19	233500-001	G-20
231069-002	B-39-1-1,D-6-1-1	233501-001	F-8
231080-001	B-39-1-4,C-6-1-4 D-6-1-4	233515-001	H-14
231335-001	B-6,C-10	233534-001	E-21-3
231336-001	D-10	233544-001	G-25
231458-001	A-47	233545-001	G-24
232459-001	B-9-2,C-4-2,D-4-2	233573-001	G-33
233063-001	G-19	233574-001	G-37
233067-001	G-12	233575-001	G-31
233074-002	E-3-1	233603-002	F-6
233079-002	E-2-1	233604-001	G-29
233085-002	E-1-1	233618-001	G-34
233088-002	E-4	233619-001	F-7
233089-002	E-10	233643-001	B-23-1
233090-002	E-5	233644-001	B-23-2
233091-002	G-10	233688-001	B-24
233092-001	G-11	233694-001	G-39
233093-002	F-2	233695-001	G-41
		233696-001	G-38

PARTS NO.	REF. NO.	PARTS NO.	REF. NO.
234030-001	D-41	291790-002	B-39-1,C-6-1
234032-001	D-38-1	291791-001	B-39-2-2,C-6-2-2
234034-001	D-38-1	291792-001	B-39-1-2,C-6-1-2
234060-001	D-42	385266-040	H-11
234079-001	C-27	388255-001	D-38
234081-001	C-38	388256-001	D-38
234136-001	E-44	388257-001	D-38
234137-001	D-29	388259-110	D-37
234588-002	E-14	388259-123	D-37
235007-001	C-41	388259-323	D-37
235009-001	D-47	388259-340	D-37
235029-002	D-26	388260-110	C-37
235039-001	D-38-1	388260-123	C-37
235041-001	D-38-1	388260-323	C-37
235044-001	D-46	388260-340	C-37
235052-001	D-45	388706-011	F-1
235533-001	E-21-2	388707-011	F-1
236126-001	B-6,C-10		
236207-001	B-39-2-4,C-6-2-4 D-6-2-4		
236315-001	G-43		
236682-001	C-26		
237043-002	F-2		
237641-001	A-52		
238186-001	H-11-15		
238188-001	H-11-16		
238191-001	H-11-20		
238194-001	H-11-1		
238196-001	H-11-32		
286683-001	C-27		
291273-101	C-40,D-39		
291274-101	C-40,D-39		
291275-101	C-40,D-39		
291276-101	C-40,D-39		
291281-002	D-6-2		
291282-001	D-6-2-1		
291442-002	D-6-1		
291443-001	D-6-1-1		
291640-011	F-1		
291642-011	F-1		
291655-011	F-1		
291656-011	F-1		
291657-011	F-1		
291659-011	F-1		
291660-002	H-1		
291661-043	H-10		
291662-003	H-10		
291673-011	F-1		
291674-011	F-1		
291744-011	F-1		
291784-110	C-37		
291784-123	C-37		
291784-323	C-37		
291784-340	C-37		
291786-110	D-37		
291786-123	D-37		
291786-323	D-37		
291786-340	D-37		
291788-001	D-38		
291789-002	B-39-2,C-6-2		

