



**PARTS BOOK**  
FOR  
**BROTHER BAS-400**




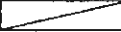
Electronic Monogramming Machine

**BROTHER INDUSTRIES, LTD.**  
NAGOYA, JAPAN


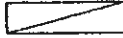
## Notes sur l'utilisation de ce manuel de pièces détachées

1. Si le symbole  se trouve dans la colonne "Parts No. (N° de pièce)" ou dans la colonne "Assembly No. (N° jeu de pces)", veuillez vous référer à la liste de pièces annexe page 12.
2. Le symbole  dans la colonne "N° de pièce" signifie que la pièce ne peut être fournie. Si, dans la colonne "N° jeu de pces", il y a un numéro de nomenclature, la pièce peut être commandée comme faisant partie d'un jeu de pièces. Donc, pour toute commande, veuillez spécifier le N° de jeu de pièces.
3. Ce manuel a été fait d'après les renseignements valables au mois de Mars, 1981.
4. Les pièces peuvent être sujettes à des modifications sans préavis.


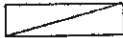
## Notas para usar este Libro de Piezas

1. De haber un símbolo  junto al "Parts No. (Número de Pieza)" o en la columna del "Assembly No. (Número de Juego)", habrá que mirar la lista de piezas separada de la página 12.
2. El símbolo , que se encuentra en la columna del "Número de Pieza", quiere decir que no se dispone de dicha pieza sola. Cuando, empero, hay un número en la columna del "Numero de Juego", se podrá ordenar la pieza con todo el juego. Por lo tanto, será mejor hacer el pedido recurriendo al número del juego respectivo.
3. Este libro ha sido compilado basándose en los datos de que se disponía en Marzo de 1981.
4. Las piezas quedan sujetas a cambios de diseño sin aviso previo.

## Notes for using this parts book

1. If the symbol  is found in the "Parts No." column or the "Assembly No." column, refer to the different parts list page 12.
2. The symbol  in the "Parts No." column indicates that the parts is not available for supply. If, however, there is a number in the "Assembly No." column, the parts can be ordered as an assembly. Please, therefore, order by using the Assembly No.
3. This book was prepared based on information available in March, 1981.
4. Parts are subject to changes in design without prior notice.

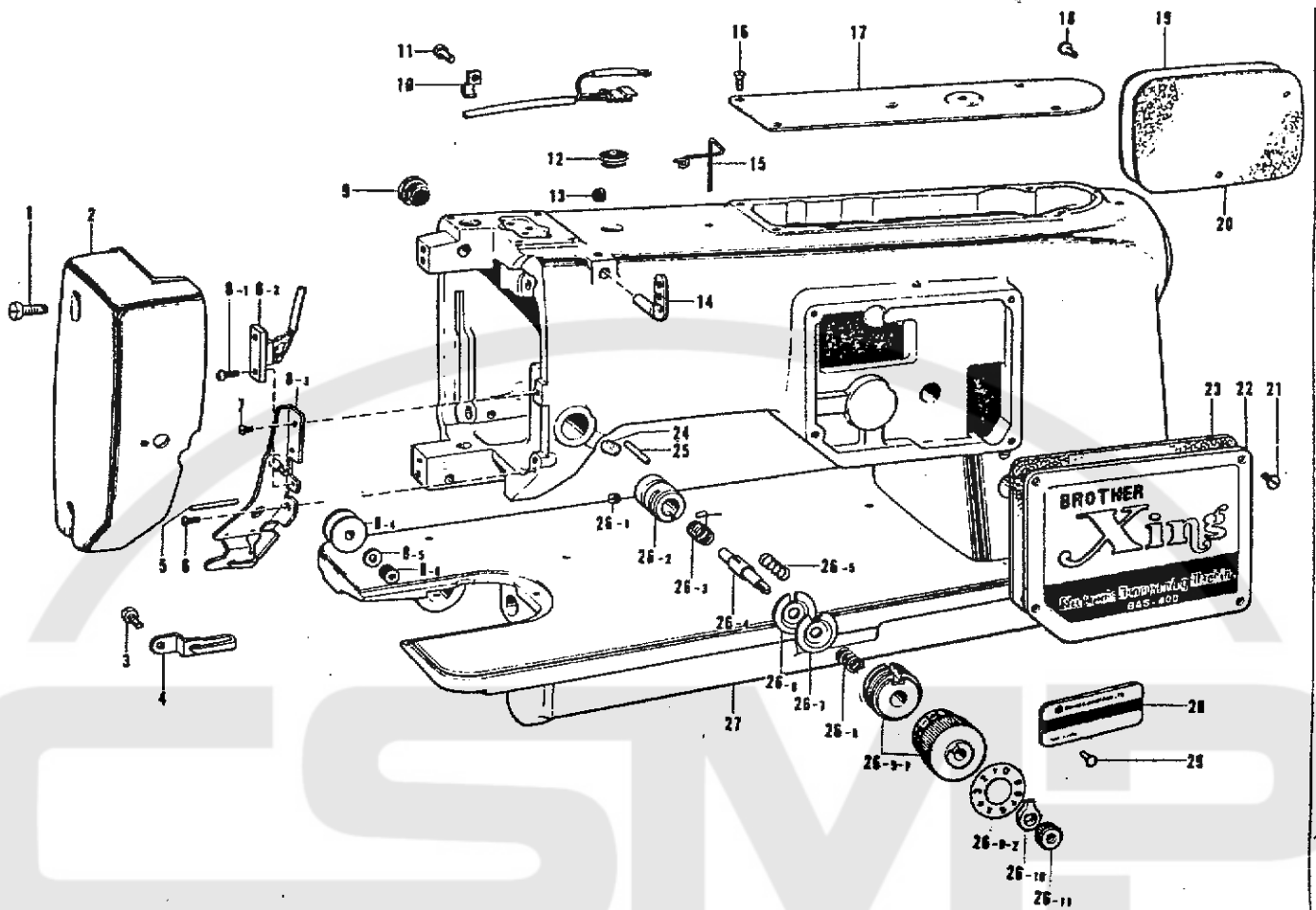
## Anmerkungen zum Gebrauch dieses Stücklistebuches

1. Dieses Zeichen  in der Spalte "Parts No. (Teilnummer)" oder "Assembly No. (Gerätesatznummer)" verweist auf die Gesonderte Stückliste auf Seite 12.
2. Dieses Zeichen  in der Spalte "Teilnummer" bedeute, daß dieser Teil nicht lieferbar ist. Wenn Jedoch in der Spalte "Gerätesatznummer" eine Nummer steht, kann dieser Teil als ein Geräteteilsatz bestellt werden. Bestellen Sie daher bitte mit dieser Gerätesatznummer.
3. Dieses Buch basiert auf den Informationen vom März 1981.
4. Modelländerungen sind vorbehalten.

## CONTENTS

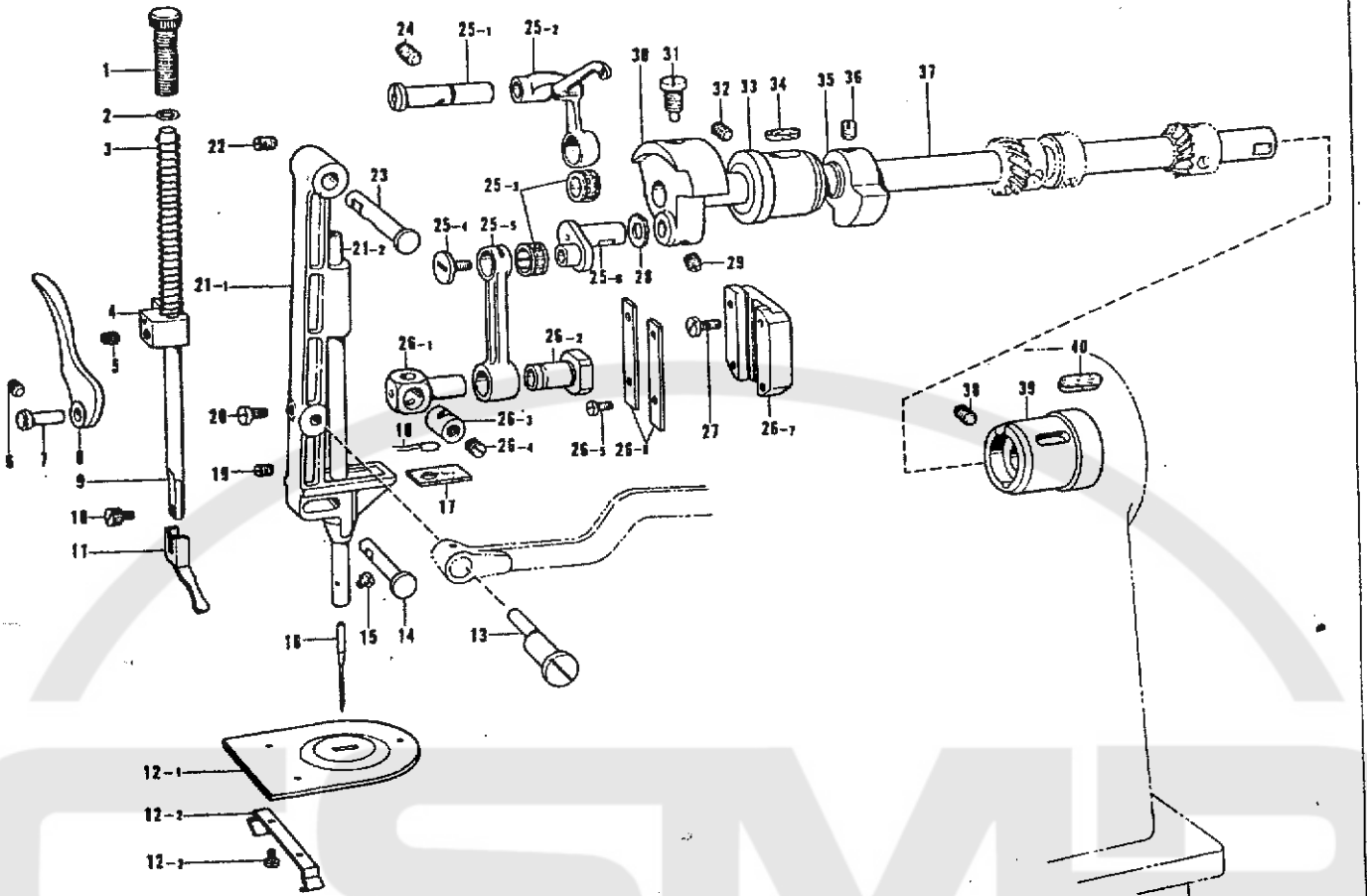
A. Machine Body · Upper Threading and Tension Control Mechanism .....	1
B. Needle Bar · Thread Take-up and Presser Bar Mechanism .....	2
C. Rotary Hook Mechanism .....	3
D. Zigzag Mechanism .....	4
E. Lubrication .....	5
F. Bobbin Winder and Motor Mechanism .....	6
G. Feed Guide Mechanism .....	7
H. Control Box and Table Unite Mechanism .....	8
J. Table Unite Mechanism .....	9
K. Power Supply Equipment Mechanism .....	10
Z. Accessories .....	11
DIFFERENT PARTS LIST .....	12
INDEX .....	12

# A. Machine Body · Upper Threading and Tension Control Mechanism



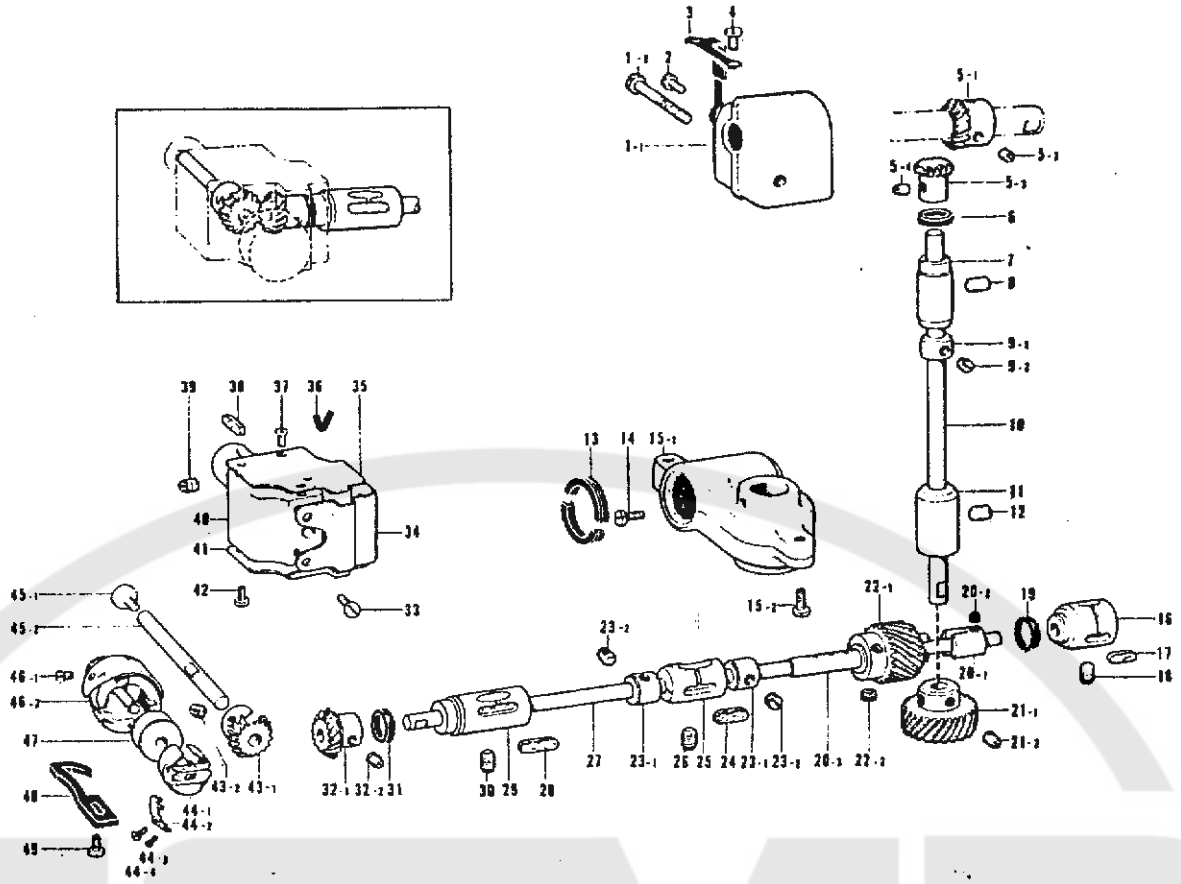
Ref. No.	Name of Parts	Q'ty	Parts No.	Assembly No.	Ref. No.	Name of Parts	Q'ty	Parts No.	Assembly No.	
A-1	Screw 4.76	2	107474-0-03		A-19	Rear Cover	1	148919-0-03		
A-2	Face Plate	1	157131-0-01		A-20	Packing	1	116981-0-00		
A-3	Screw 3.57 x 4	1	009670-4-12		A-21	Screw 3.57 x 8	4	009670-8-12		
A-4	Face Plate Thread Guide	1	117636-0-01		A-22	Naming Plate	1	157036-0-01		
A-5	Pin	1	117640-0-01		A-23	Packing	1	117620-0-00		
A-6	Screw 3.57	1	108960-0-04		A-24	Screw 5.95	1	103950-0-03		
A-7	Screw 2.38	1	102731-0-02		A-25	Pin	1	117640-0-01		
A-8-1	Screw 3 x 4.5	2	001309-4-04		A-26-1	Screw 3.57	1	100402-0-04		
A-8-2	Thread Breakage Sensor Assembly	1	157027-0-01	A-8 Thread Breakage Sensor Assembly 157054-0-01	A-26-2	Tension Bracket	1	145250-0-01	A-26 Tension Control Assembly 157034-0-01	
A-8-3	Thread Guide Assembly	1	157058-0-01		A-26-3	Thread Take-up Spring	1	157038-0-01		
A-8-4	Thread Sensor	1	157055-0-01		A-26-4	Tension Stud	1	157037-0-01		
A-8-5	Washer 3	1	025030-2-33		A-26-5	Thread Tension Dial Spring	1	125275-0-01		
A-8-6	Nut 3.18	1	157056-0-01		A-26-6	Tension Disc	1	129376-0-01		
A-9	Oil Cap	2	104449-0-01		A-26-7	Tension Disc	1	125270-0-01		
A-10	Cord Holder	2	140647-0-01	A-26-8	Tension Spring	1	157039-0-01			
A-11	Screw 3.57 x 8	2	001670-8-14		A-26-9-1	Tension Control Knob Assembly	1	125272-0-02		A-26-9 Tension Adjusting Assembly 157215-0-01
A-12	Oil Cap	1	111937-0-01	A-26-9-2	Thread Tension Indicator	1	157195-0-01			
A-13	Screw 4.37	1	151601-0-02		A-26-10	Thread Tension Dial Stopper	1	120329-0-01		
A-14	Thread Guide A	1	157061-0-01		A-26-11	Nut 4.37	1	157041-0-01		
A-15	Thread Guide B	1	157062-0-01		A-27	Arm Bed	1			
A-16	Screw 3.57	4	100257-0-10		A-28	Model Plate	1			
A-17	Top Cover	1	117534-0-03		A-29	Pin	2			
A-18	Screw 3.57	3	100257-0-10							

## B. Needle Bar · Thread Take-up and Presser Bar Mechanism



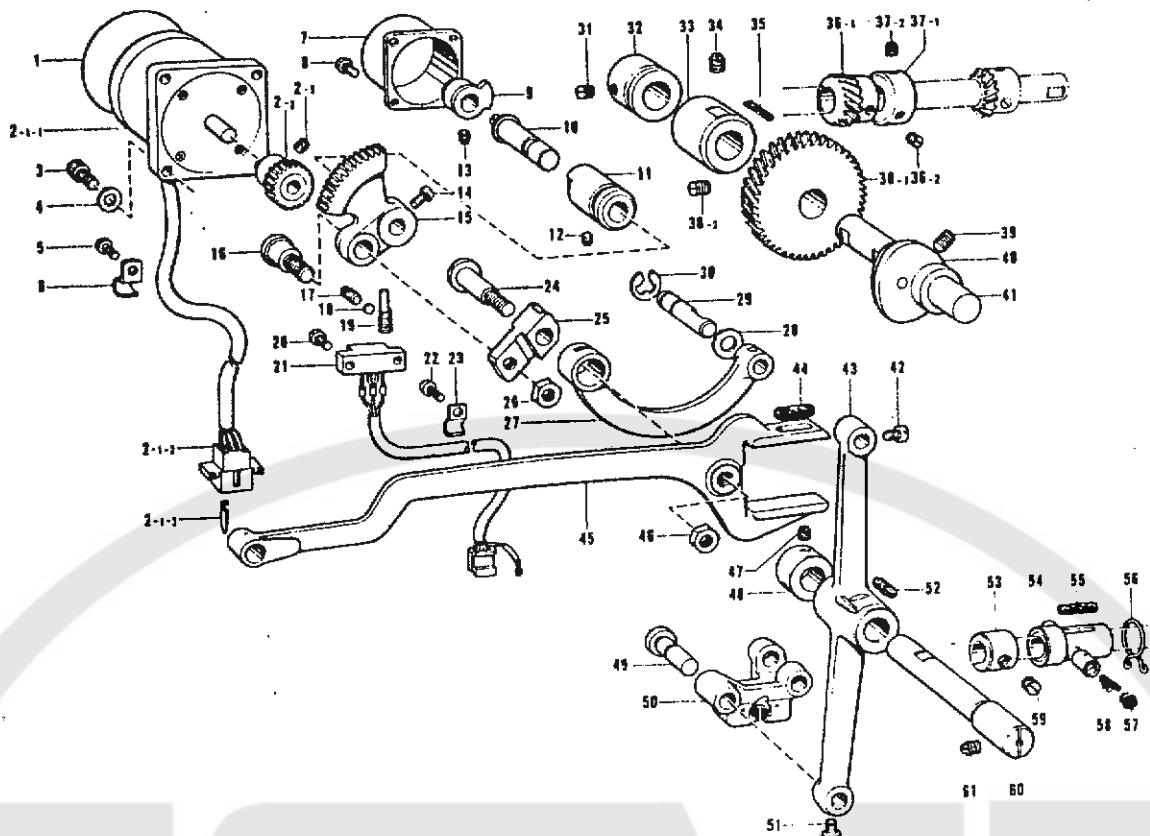
Ref. No.	Name of Parts	Q'ty	Parts No.	Assembly No.	Ref. No.	Name of Parts	Q'ty	Parts No.	Assembly No.
B-1	Screw	1	100279-1-02		B-25-1	Stud	1		B-25 Needle Bar Connecting Lever Assembly 117550-1-01
B-2	Washer	1	141099-0-01		B-25-2	Thread Take-up Supporter Assembly	1		
B-3	Presser Spring	1	157065-0-01		B-25-3	Needle Bearing	2		
B-4	Presser Bar Clamp	1	129505-0-01		B-25-4	Screw 3.57	1	145465-0-01	
B-5	Screw 5.95	1	151604-0-01		B-25-5	Needle Bar Crank Rod	1		
B-6	Screw 5.95	1	151604-0-02		B-25-6	Needle Bar Crank	1	140706-0-01	
B-7	Presser Bar Lifter Shaft	1	124697-0-01		B-26-1	Needle Bar Clamp Shaft	1		B-26 Slide Block Guide Assembly 118807-1-01
B-8	Tension Release Spring	1	157066-0-01		B-26-2	Slide Block	1	118791-0-01	
B-9	Presser Bar	1	103013-0-00		B-26-3	Needle Bar Clamp	1		
B-10	Screw 3.57	1	157068-0-01		B-26-4	Screw 5.56	1	110124-0-01	
B-11	Presser Foot A	1	157197-0-01		B-26-5	Screw 3.18	4	100080-0-03	
B-12-1	Needle Plate	1		B-12 Needle Plate Assembly 148309-0-02	B-26-6	Slide Block Presser Plate	2	147732-0-01	
B-12-2	Spring	1	148310-0-01		B-26-7	Slide Block Guide	1		
B-12-3	Screw 2.38	2	122771-0-02		B-27	Screw 4.37	2	107407-0-03	
B-13	Eccentric Shaft	1	117549-0-01		B-28	Washer	1	110367-0-01	
B-14	Pin D	1	113031-0-01		B-29	Screw 6.35	2	100251-0-01	
B-15	Screw 3.18	1	140553-1-02		B-30	Thread Take-up Crank	1	116949-0-00	
B-16	Needle DB x1 #9	1	100265-0-29		B-31	Screw 7.14	1	100250-0-01	
B-17	Felt A	1	117547-0-01		B-32	Screw 5.95	1	013761-4-10	
B-18	Spring	1	118311-0-01		B-33	Upper Shaft Bushing Left	1	142013-0-01	
B-19	Screw 4.76 x 10	1	013711-0-10		B-34	Felt	1	100248-0-01	
B-20	Screw 5.95	1	105163-0-01		B-35	Counter Weight	1	117542-0-00	
B-21-1	Needle Bar Support	1		B-21 Needle Bar Support Assembly 117544-0-01	B-36	Screw 6.35 x 8	2	013780-8-10	
B-21-2	Needle Bar	1	117546-0-01		B-37	Upper Shaft	1	117535-0-01	
B-22	Screw 4.76 x 10	1	013711-0-10		B-38	Screw 5.95 x 6	1	013760-6-10	
B-23	Pin U	1	117939-0-01		B-39	Upper Shaft Bushing Right	1	117938-0-01	
B-24	Screw 5.95	1	151605-0-01		B-40	Felt	1	100248-0-01	

# C. Rotary Hook Mechanism



Ref. No.	Name of Parts	Q'ty	Parts No.	Assembly No.	Ref. No.	Name of Parts	Q'ty	Parts No.	Assembly No.
C-1-1	Upper Gear Case	1		C-1 Gear Case Assembly 118280-1-01	C-25	Lower Shaft Bushing Middle	1	117582-0-01	
C-1-2	Screw 6.35 x 30	1	009783-0-12		C-26	Screw 5.95	1	151605-0-01	
C-2	Screw 6.35 x 8	1	009780-8-12		C-27	Lower Shaft	1	117577-0-01	
C-3	Gear Case Supporter	1	117945-0-01		C-28	Felt	1	100633-0-01	
C-4	Screw 3.57 x 6	2	001670-6-12		C-29	Lower Shaft Bushing Left	1	117583-0-01	
C-5-1	Upper Shaft Gear	1		C-5 Upper Shaft Gear Assembly 118278-0-01	C-30	Screw 5.95	1	151605-0-01	
C-5-2	Screw 6.35	2	100251-0-01		C-31	Seal	1	117584-0-01	
C-5-3	Vertical Shaft Upper Gear	1			C-32-1	Lower Shaft Gear	1		C-32 Lower Shaft Gear Assembly 118285-0-01
C-5-4	Screw 6.35	2	100251-0-01		C-32-2	Screw 6.35	2	101706-0-01	
C-6	Seal	1	103796-0-01		C-33	Screw 3.57 x 6	4	009670-6-12	
C-7	Vertical Shaft Bushing Upper	1	117570-0-01		C-34	Gear Case	1	117587-0-01	
C-8	Screw 5.95 x 6	2	013760-6-10		C-35	Gear Case Cover Upper	1	117588-0-01	
C-9-1	Collar	1		C-9 Collar Assembly 118299-0-01	C-36	Wick 6 x 6 (26 mm)	1	117591-0-01	
C-9-2	Screw 6.35	2	101706-0-03		C-37	Screw 3.57	2	102843-0-04	
C-10	Vertical Shaft	1	117569-0-01		C-38	Felt	1	100633-0-01	
C-11	Vertical Shaft Bushing Lower	1	117571-0-01		C-39	Screw 5.95	2	151605-0-01	
C-12	Screw 5.95	2	013761-4-10		C-40	Rotary Hook Shaft Bushing	1	117590-0-01	
C-13	Gear Case Seal	1	140536-0-01		C-41	Gear Case Cover Lower	1	117589-0-01	
C-14	Screw 4.76 x 10	1	013711-0-10		C-42	Screw 3.57 x 6	3	009670-6-13	
C-15-1	Lower Gear Case	1		C-15 Gear Case Assembly 140740-0-01	C-43-1	Rotary Hook Shaft Gear	1		C-43 Hook Driving Gear Assembly 118286-0-01
C-15-2	Screw 6.35 x 18	2	009781-8-12		C-43-2	Screw 6.35	3	101706-0-01	
C-16	Lower Shaft Bushing Right	1	117580-0-01		C-44-1	Bobbin Case	1		C-44 Bobbin Case Assembly 117596-0-01
C-17	Felt	1	117581-0-01		C-44-2	Lower Thread Adjusting Spring	1	182392-0-01	
C-18	Screw 5.95	1	151605-0-01		C-44-3	Spring Set Screw	1	181938-0-01	
C-19	Seal	1	117584-0-01		C-44-4	Spring Adjusting Screw	1	181937-0-01	
C-20-1	Connecting Collar R	1		C-20 Connecting Collar Assembly 118129-0-01	C-45-1	Screw 3.57	1	145465-0-01	C-45 Rotary Hook Shaft Assembly 117592-0-01
C-20-2	Screw 6.35	2	101706-0-01		C-45-2	Rotary Hook Shaft	1		
C-20-3	Connecting Collar L	1			C-46-1	Screw 4.37	3	117594-0-01	C-46 Rotary Hook Assembly 140519-0-01
C-21-1	Vertical Shaft Gear			C-21 Vertical Shaft Gear Assembly 118279-0-01	C-46-2	Rotary Hook	1		
C-21-2	Screw 6.35	2	100251-0-01		C-47	Bobbin	1	146290-0-01	
C-22-1	Lower Shaft Gear	1		C-22 Lower Shaft Gear Assembly 180973-0-01	C-48	Bobbin Case Holder Position Bracket	1	117595-0-01	
C-22-2	Screw 6.35	2	105299-0-03		C-49	Screw 4.37	1	107407-0-03	
C-23-1	Collar	2		C-23 Collar Assembly 118299-0-01					
C-23-2	Screw 6.35	4	101706-0-03						
C-24	Felt	1	100633-0-01						

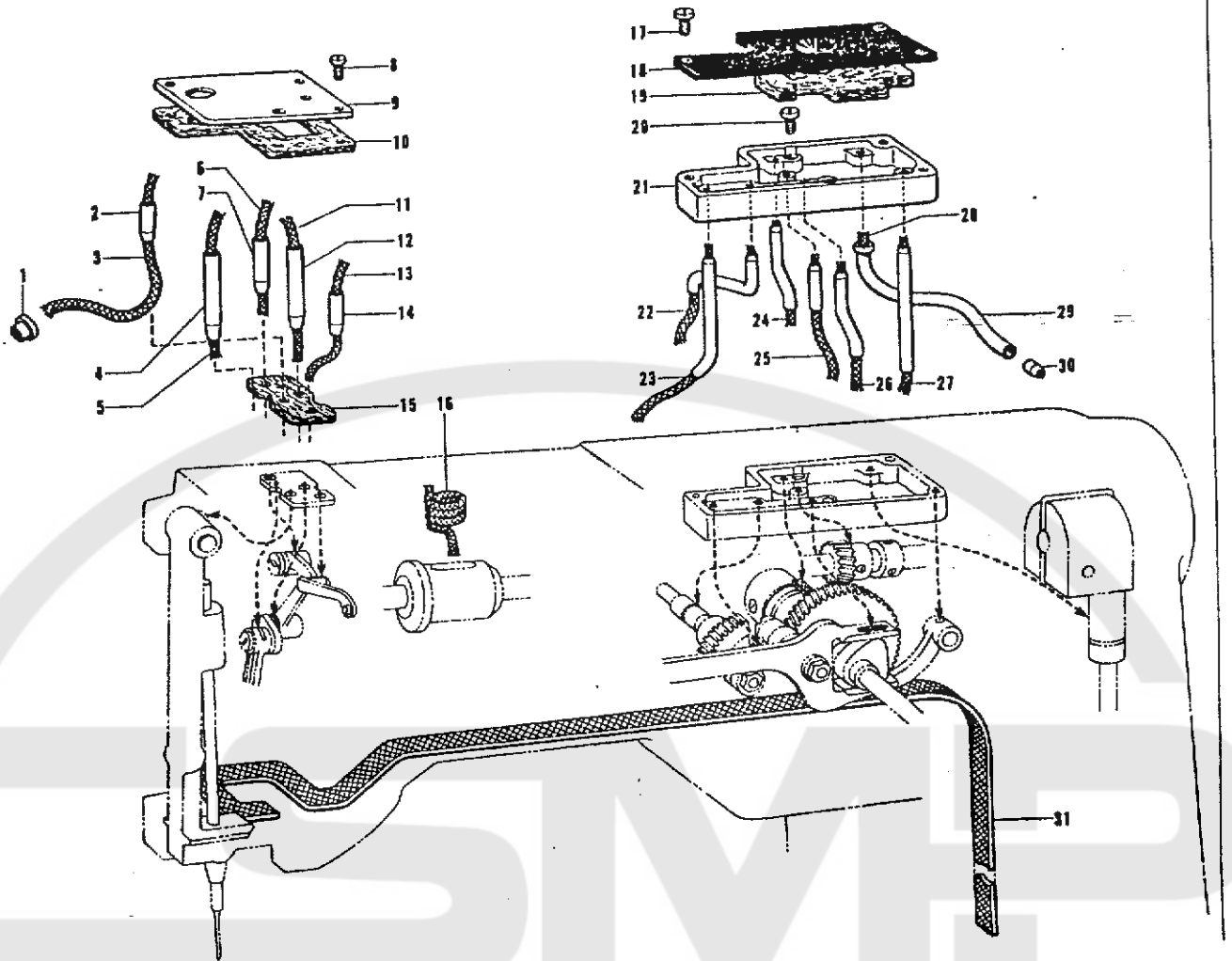
# D. Zigzag Mechanism



Ref. No.	Name of Parts	Q'ty	Parts No.	Assembly No.	Ref. No.	Name of Parts	Q'ty	Parts No.	Assembly No.
D-1	Rating Plate 2	1			D-32	Collar	1	117947-0-01	
D-2-1-1	Pulse Motor	1		D-2-1 Pulse Motor Assembly 157028-0-01	D-33	Zigzag Shaft Bushing	1	117603-0-00	
D-2-1-2	Connector 1	1	157225-0-00		D-34	Screw 5.95	1	151605-0-01	
D-2-1-3	Terminal Pin 1	1	157224-0-01		D-35	Felt	1	100633-0-01	
D-2-2	Pinion Gear	1	157121-0-00	D-2 Pulse Motor Complete Assembly 157120-0-01	D-36-1	Zigzag Shaft Gear	1		D-36 Zigzag Upper Shaft Gear Assembly 180974-0-01
D-2-3	Screw 4	2	014400-5-22		D-36-2	Screw 6.35	2	101706-0-01	
D-3	Bolt 4 x 10	4	018401-0-22		D-37-1	Collar	1		D-37 Pulley Bush Assembly 118371-0-01
D-4	Washer 4	4	025040-2-32		D-37-2	Screw 6.35	2	100251-0-01	
D-5	Screw 3.57 x 8	2	001670-8-14		D-38-1	Zigzag Shaft Driving Gear	1		D-38 Zigzag Shaft Driving Gear 180975-0-01
D-6	Cord Holder C	2	157170-0-01		D-38-2	Screw 6.35	2	101706-0-01	
D-7	Cap	1	157124-0-01		D-39	Screw 5.95 x 6	2	013760-6-10	
D-8	Screw 3 x 8	4	007300-8-03		D-40	Zigzag Cam	1	117599-0-00	
D-9	Slit Assembly	1	157122-0-00		D-41	Zigzag Shaft	1	117600-0-01	
D-10	Zigzag Transverse Shaft	1	157012-0-01		D-42	Bolt 5.95	1	110087-0-01	
D-11	Zigzag Transverse Bushing	1	157013-0-01		D-43	Hook Shaft Adjusting Lever	1	117624-0-01	
D-12	Screw 5.95	1	151605-0-01		D-44	Felt	1	117598-0-01	
D-13	Screw 3 x 5	1	014300-5-22		D-45	Zigzag Fork Rod	1	117597-0-01	
D-14	Screw 4.37	2	104908-0-01		D-46	Nut 7.14	1	104689-0-01	
D-15	Gear	1	157011-0-01		D-47	Screw 6.35	2	100251-0-01	
D-16	Screw 7.14	1	145486-0-01		D-48	Collar	1	117671-0-02	
D-17	Screw 4.37	1	151603-0-02		D-49	Shaft D	1	118135-0-01	
D-18	Washer	1	100507-0-00		D-50	Timing Adjusting Lever D	1	118131-0-01	
D-19	Screw	1	117613-0-01		D-51	Screw 5.95 x 8	1	009760-8-13	
D-20	Screw 3 x 8	2	007300-8-03		D-52	Felt	1	117581-0-01	
D-21	Zigzag Photo Sensor Assembly	1	157021-0-01		D-53	Collar	1	118136-0-01	
D-22	Screw 3.57 x 8	2	001670-8-14		D-54	Collar Assembly	1	118379-0-01	
D-23	Cord Holder	2	145595-0-01		D-55	Felt	1	117598-0-01	
D-24	Screw 7.14	1	157010-0-01		D-56	Felt Holding Wire	1	118666-0-01	
D-25	Feed Link	1	157009-0-01		D-57	Oil Cap	2	104833-0-01	
D-26	Nut 7.14	1	104689-0-01		D-58	Wick (20 mm)	2	117629-0-01	
D-27	Timing Rod U	1	157236-0-01		D-59	Screw 6.35	2	101706-0-01	
D-28	Washer	1	116629-0-01		D-60	Adjusting Lever Shaft	1	117626-0-01	
D-29	Shaft U	1	117625-0-01		D-61	Screw 5.95	1	151605-0-01	
D-30	Stop Ring E6	1	048060-3-42						
D-31	Screw 6.35	2	101706-0-01						

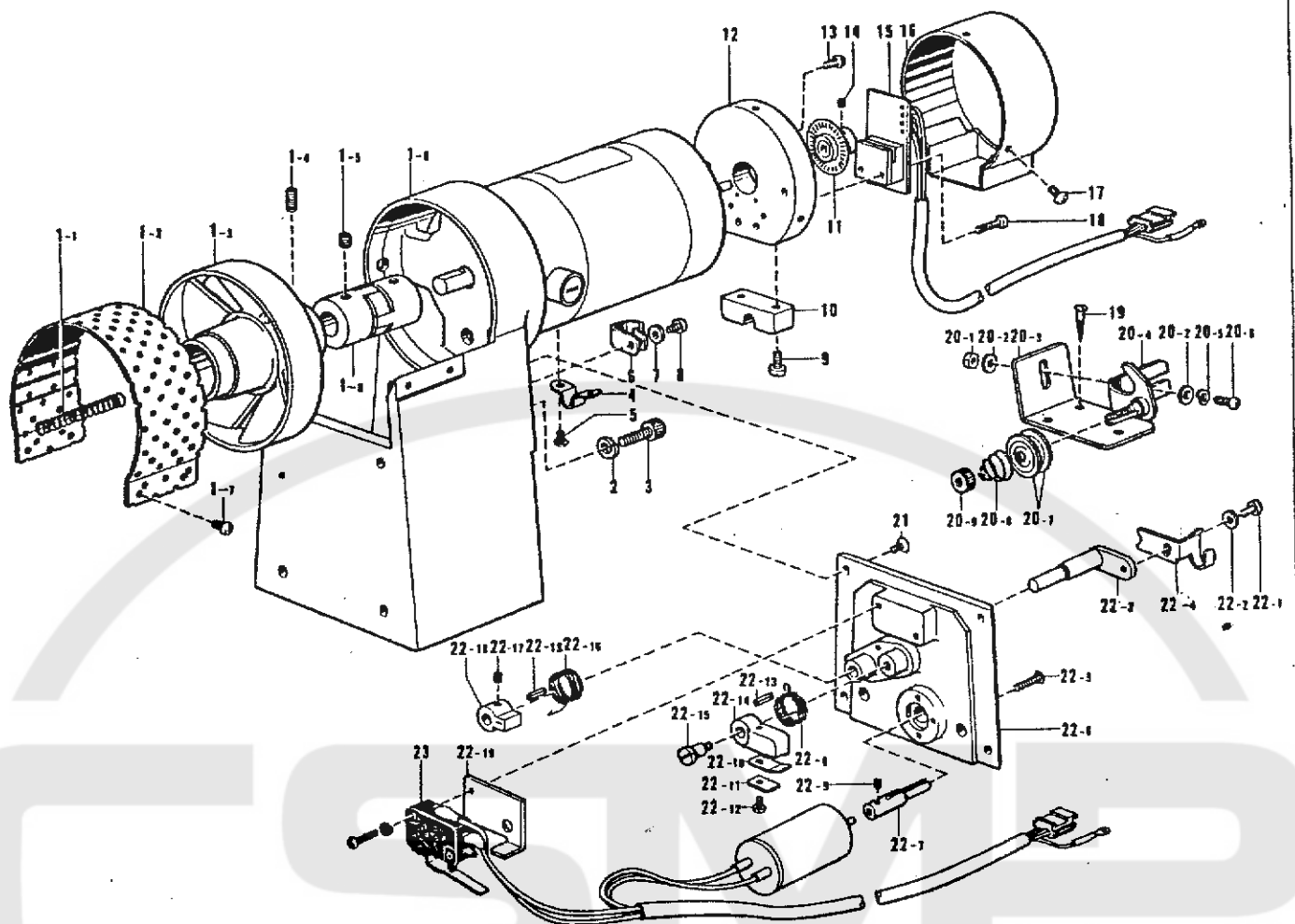


# E. Lubrication



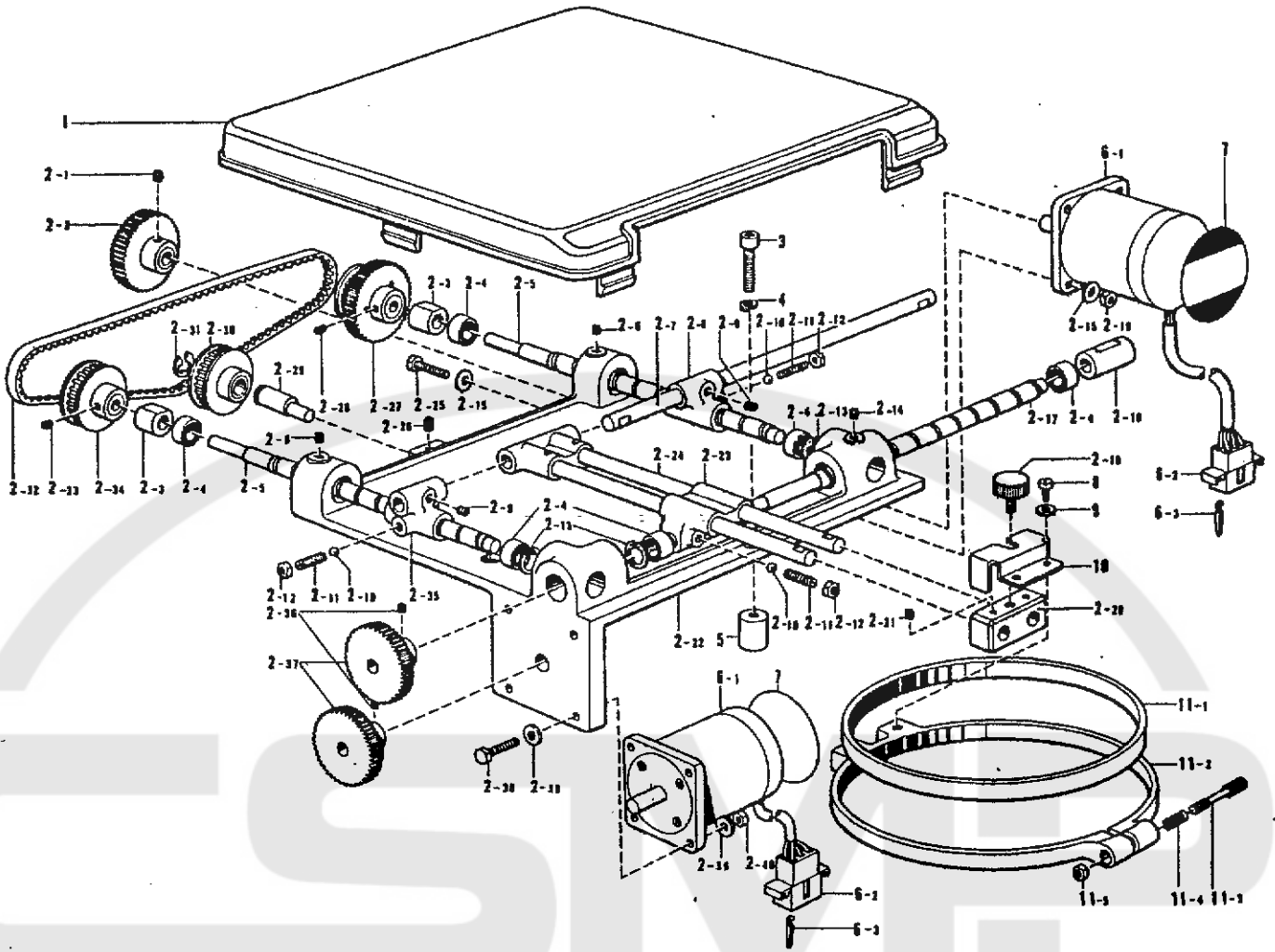
Ref. No.	Name of Parts	Q'ty	Parts No.	Assembly No.	Ref. No.	Name of Parts	Q'ty	Parts No.	Assembly No.
E-1	Wick Nipper	1	109993-0-01		E-17	Screw 3.57 x 6	3	001670-6-12	
E-2	Oil Pipe	1	117656-0-00		E-18	Oil Tank Lid	1	117958-0-01	
E-3	Wick 4 x 4 (60 mm)	1	117006-0-01		E-19	Felt	1	117957-0-01	
E-4	Oil Pipe	1	116966-0-00		F-20	Screw 3.57 x 14	2	009671-4-12	
E-5	Wick 4 x 4 (100 mm)	1	109405-0-01		E-21	Oil Tank Assembly	1	157006-0-00	
E-6	Wick 4 x 4 (80 mm)	1	117007-0-01		E-22	Wick 4 x 4 (100 mm)	1	109405-0-01	
E-7	Oil Pipe	1	116967-0-00		E-23	Wick 4 x 4 (100 mm)	1	109405-0-01	
E-8	Screw 3.57	4	100257-0-10		E-24	Wick 4 x 4 (80 mm)	1	117007-0-01	
E-9	Oil Tank Lid	1	117643-0-03		E-25	Wick 4 x 4 (60 mm)	1	117006-0-01	
E-10	Paeking	1	117644-0-00		E-26	Wick 4 x 4 (80 mm)	1	117007-0-01	
E-11	Wick 4 x 4 (100 mm)	1	109405-0-01		E-27	Wick 4 x 4 (100 mm)	1	109405-0-01	
E-12	Oil Pipe	1	116969-0-00		E-28	Wick 4 x 4 (100 mm)	1	109405-0-01	
E-13	Wick 4 x 4 (60 mm)	1	117006-0-01		E-29	Vinyl Tube	1	116984-0-00	
E-14	Oil Pipe	1	116968-0-00		E-30	Oil Pipe	1	116968-0-00	
E-15	Felt	1	117642-0-01		E-31	Wick 2 x 2 (500 mm)	1	117022-0-01	
E-16	Wick 6 x 6 (100 mm)	1	108808-0-01						

# F. Bobbin Winder and Motor Mechanism



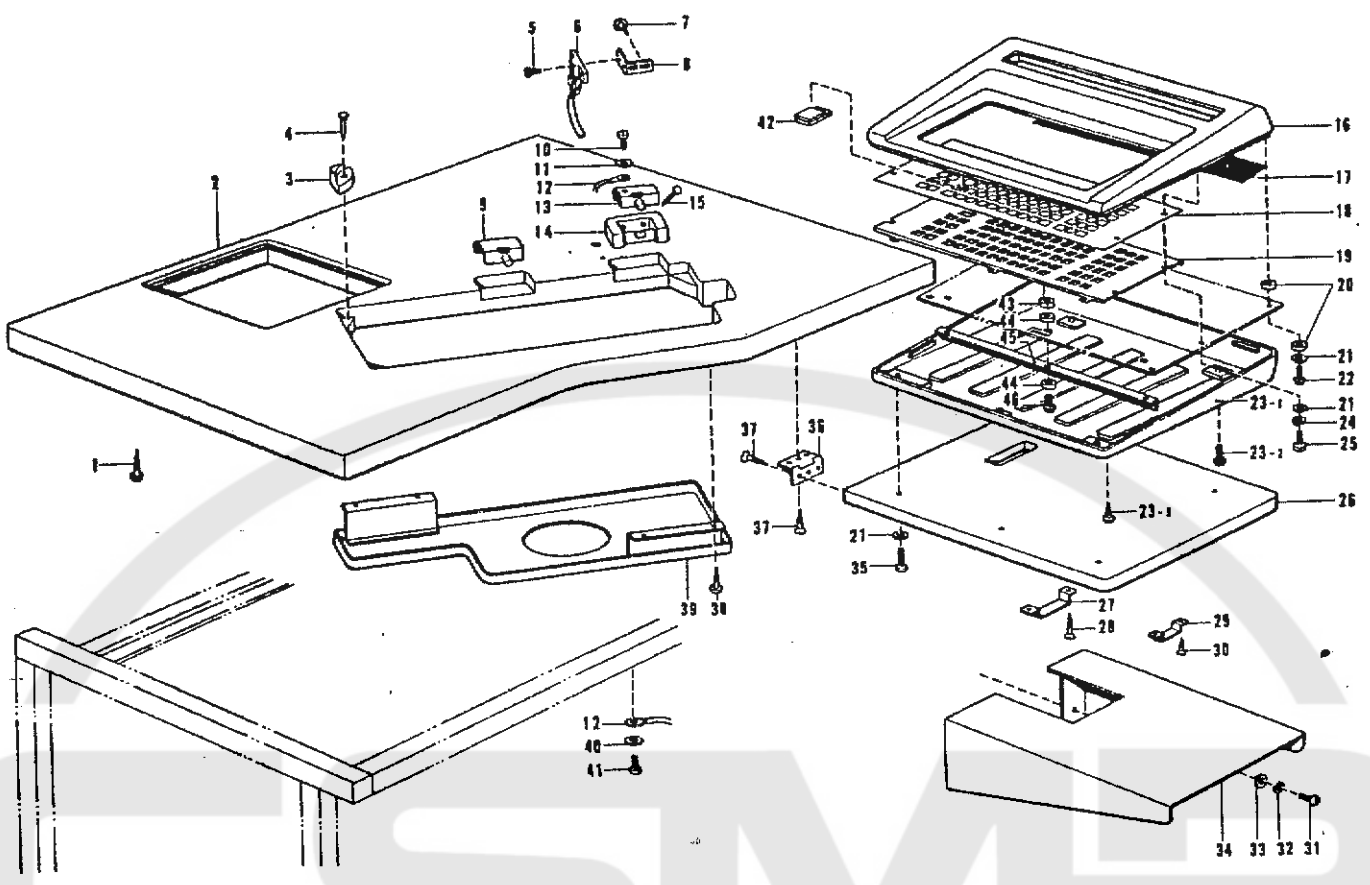
Ref. No.	Name of Parts	Q'ty	Parts No.	Assembly No.	Ref. No.	Name of Parts	Q'ty	Parts No.	Assembly No.
F-1-1	Spring	1	157185-0-01	F-1 DC Motor Assembly 157069-0-01	F-20-3	Setting Plate	1	157018-0-01	F-20 Bobbin Thread Guide Assembly 157017-0-01
F-1-2	Cover	1	157070-0-01		F-20-4	Bobbin Thread Guide	1	145571-1-01	
F-1-3	Pulley	1	152389-0-01		F-20-5	Spring Washer 2-4	1	028040-2-43	
F-1-4	Screw 5	2	014501-2-22		F-20-6	Screw 4 x 10	1	002401-0-03	
F-1-5	Screw 6.35 x 6	4	014770-6-22		F-20-7	Tension Disc	2	145446-0-01	
F-1-6	DC Motor Assembly	1	157134-0-01		F-20-8	Tension Spring	1	100401-0-01	
F-1-7	Screw 3 x 6	4	008300-6-04		F-20-9	Tension Control Nut	1	100136-0-01	
F-1-8	Coupling Assembly A	1	157183-0-00		F-21	Screw 4 x 8	4	006400-8-04	
F-2	Spring Washer 2-6	4	028060-2-42	F-22-1	Screw 3 x 6	1	007300-6-13	F-22 Bobbin Winder Assembly 157015-0-01	
F-3	Bolt 6 x 16	4	018061-6-22	F-22-2	Washer 3	1	025030-2-33		
F-4	Cord Holder	1	157072-0-01	F-22-3	Bobbin Holder Arm	1	154024-0-01		
F-5	Screw 3 x 6	2	002300-4-03	F-22-4	Bobbin Presser Plate	1	152645-0-01		
F-6	Cord Holder #9	1	525907-0-00	F-22-5	Screw 3 x 12	3	006301-2-04		
F-7	Washer 4	1	025040-2-33	F-22-6	Motor Setting Plate	1			
F-8	Screw 4 x 5	1	002400-5-02	F-22-7	Winding Shaft	1	152358-0-01		
F-9	Screw 3 x 8	2	007300-8-03	F-22-8	Spring A	1	152363-0-01		
F-10	Bush	1	157166-0-00	F-22-9	Screw 3	1	014300-3-22		
F-11	G. P Slit Assembly 96A	1	157181-0-00	F-22-10	Elastic Plate	1	111942-0-01		
F-12	Encoder Base	1	157165-0-00	F-22-11	Washer	1	111943-0-01		
F-13	Screw 4 x 12	2	002401-2-04	F-22-12	Screw 3.18 x 5	1	001660-5-12		
F-14	Screw 3 x 5	1	014300-5-22	F-22-13	Spring Pin AW3	2			
F-15	G. P Encoder Assembly	1	157026-0-01	F-22-14	Lever	1	152361-0-01		
F-16	Encoder Cover	1	157071-0-01	F-22-15	Screw	1	152362-0-01		
F-17	Screw 3 x 6	3	008300-6-04	F-22-16	Spring B	1	152360-0-01		
F-18	Screw 3 x 16	2	002301-6-05	F-22-17	Screw 4.37 x 4	2	014680-4-22		
F-19	Screw 4.1 x 13	3	031411-3-04	F-22-18	Claw for Bobbin Winder	1	142566-0-01		
F-20-1	Nut 4	1	021400-1-03	F-22-19	Stopper	1	154093-1-01		
F-20-2	Washer 4	2	025040-2-33	F-23	Motor Assembly	1	157023-0-01		

# G. Feed Guide Mechanism



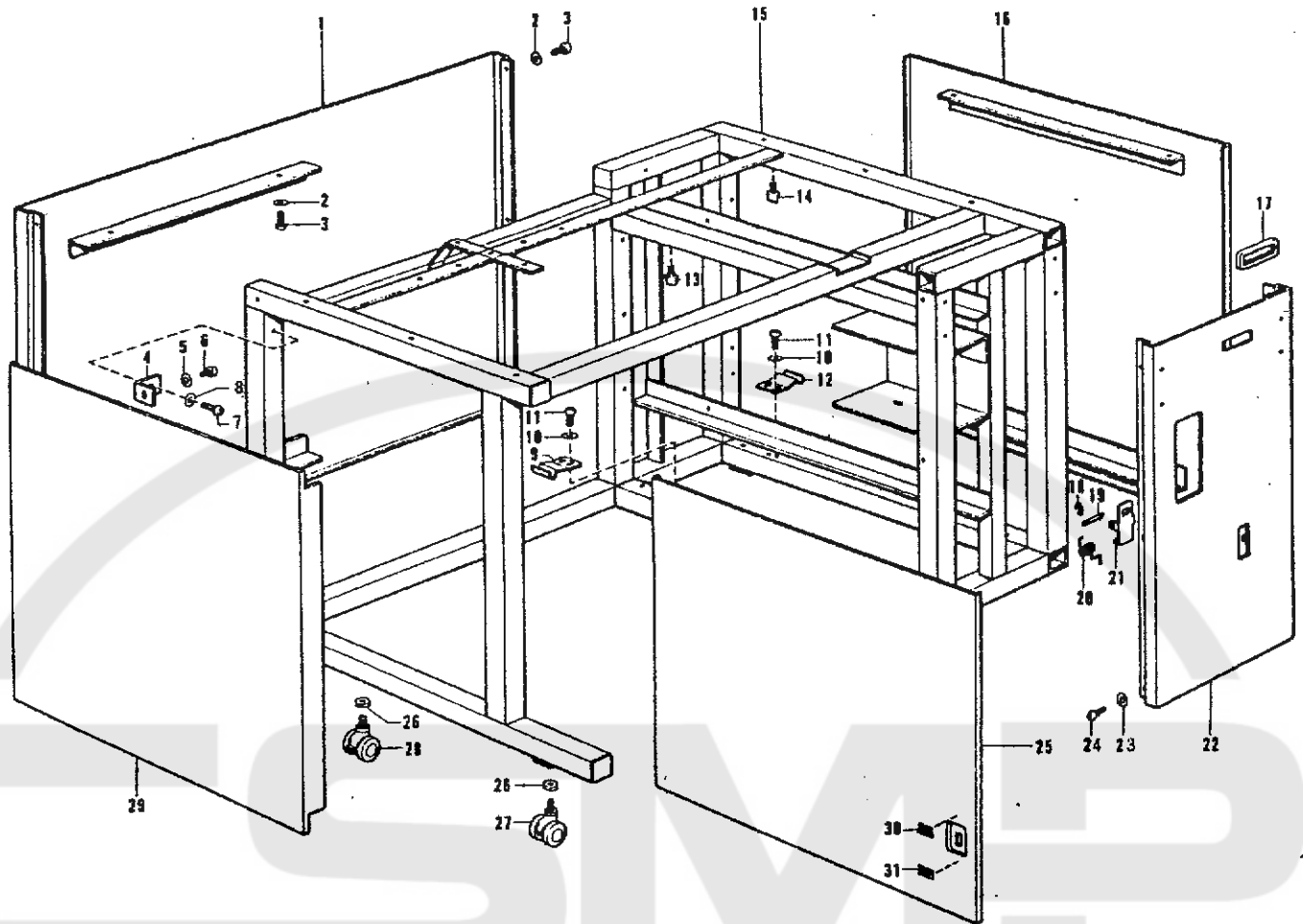
Ref. No.	Name of Parts	Q'ty	Parts No.	Assembly No.	Ref. No.	Name of Parts	Q'ty	Parts No.	Assembly No.
G- 1	Feed Cover	1	157161-0-00		G- 2-28	Screw 4	2	014400-5-22	
G- 2- 1	Screw 4	2	014400-5-22		G- 2-29	Eccentric Shaft	1	157149-0-01	
G- 2- 2	Gear A	1	157141-0-00		G- 2-30	Tension Pulley	1	157148-0-00	
G- 2- 3	Collar S	2	157144-0-01		G- 2-31	Stop Ring E7	1	048070-3-42	
G- 2- 4	Bearing B	6	530138-0-01		G- 2-32	Timing Belt	1	157147-0-00	
G- 2- 5	Shaft Y	2	157143-0-01		G- 2-33	Screw 4	2	014400-5-22	G-2 X, Y Feeder Assembly 157133-0-01
G- 2- 6	Screw 5	2	014500-5-22		G- 2-34	Timing Pulley	1	157146-0-00	
G- 2- 7	Guide Bar X	1	157152-0-01		G- 2-35	Joint D	1	157180-0-01	
G- 2- 8	Joint A	1	157150-0-01		G- 2-36	Screw 4	4	014400-5-22	
G- 2- 9	Screw 4	2	014400-5-22		G- 2-37	Gear A	2	157141-0-00	
G- 2-10	Steel Ball 3	4	071030-0-50		G- 2-38	Bolt 5 x 28	4	017502-8-03	
G- 2-11	Screw	4	157151-0-01		G- 2-39	Washer 5	8	025050-2-32	
G- 2-12	Nut 5	4	021500-1-03		G- 2-40	Nut 5	4	021500-1-03	
G- 2-13	Stop Ring C16	3	048160-2-42		G- 3	Bolt 5 x 30	5	018503-0-22	
G- 2-14	Screw 5	1	014500-5-22	G-2 X, Y Feeder Assembly 157133-0-01	G- 4	Spring Washer 2-5	5	028050-2-42	
G- 2-15	Washer 5	8	025050-2-32		G- 5	Rubber Cushion	5	157138-0-00	
G- 2-16	Nut 5	4	021500-1-03		G- 6- 1	Pulse Motor	1		G-6 Pulse Motor Assembly 157028-0-01
G- 2-17	Screw X	1	157139-0-01		G- 6- 2	Connector 1	1	157225-0-00	
G- 2-18	Collar L	1	157142-0-01		G- 6- 3	Terminal Pin 1	6	157224-0-01	
G- 2-19	Set Screw M6	1	157158-0-01		G- 7	Rating Plate 2	2		
G- 2-20	Fixing Base	1	157157-0-01		G- 8	Screw 3 x 8	2	007300-8-03	
G- 2-21	Screw 4	2	014400-4-22		G- 9	Washer 3	2	025030-2-33	
G- 2-22	Feeder Base	1			G-10	Holder	1	157049-0-01	
G- 2-23	Joint C	1	157156-0-01		G-11- 1	Inner Hoop A	1	157047-0-00	
G- 2-24	Guide Bar Y Assembly	1	157153-0-01		G-11- 2	Outer Hoop A Assembly	1	157043-0-01	G-11 Embroidery Hoop Assembly 157042-0-01
G- 2-25	Bolt 5 x 28	4	017502-8-03		G-11- 3	Screw 3.57	1	121765-0-01	
G- 2-26	Screw 4	1	014400-8-22		G-11- 4	Spring	1	121764-0-01	
G- 2-27	Gear B	1	157145-0-00		G-11- 5	Nut 3.57	1	021670-2-03	

# H. Control Box and Table Unite Mechanism



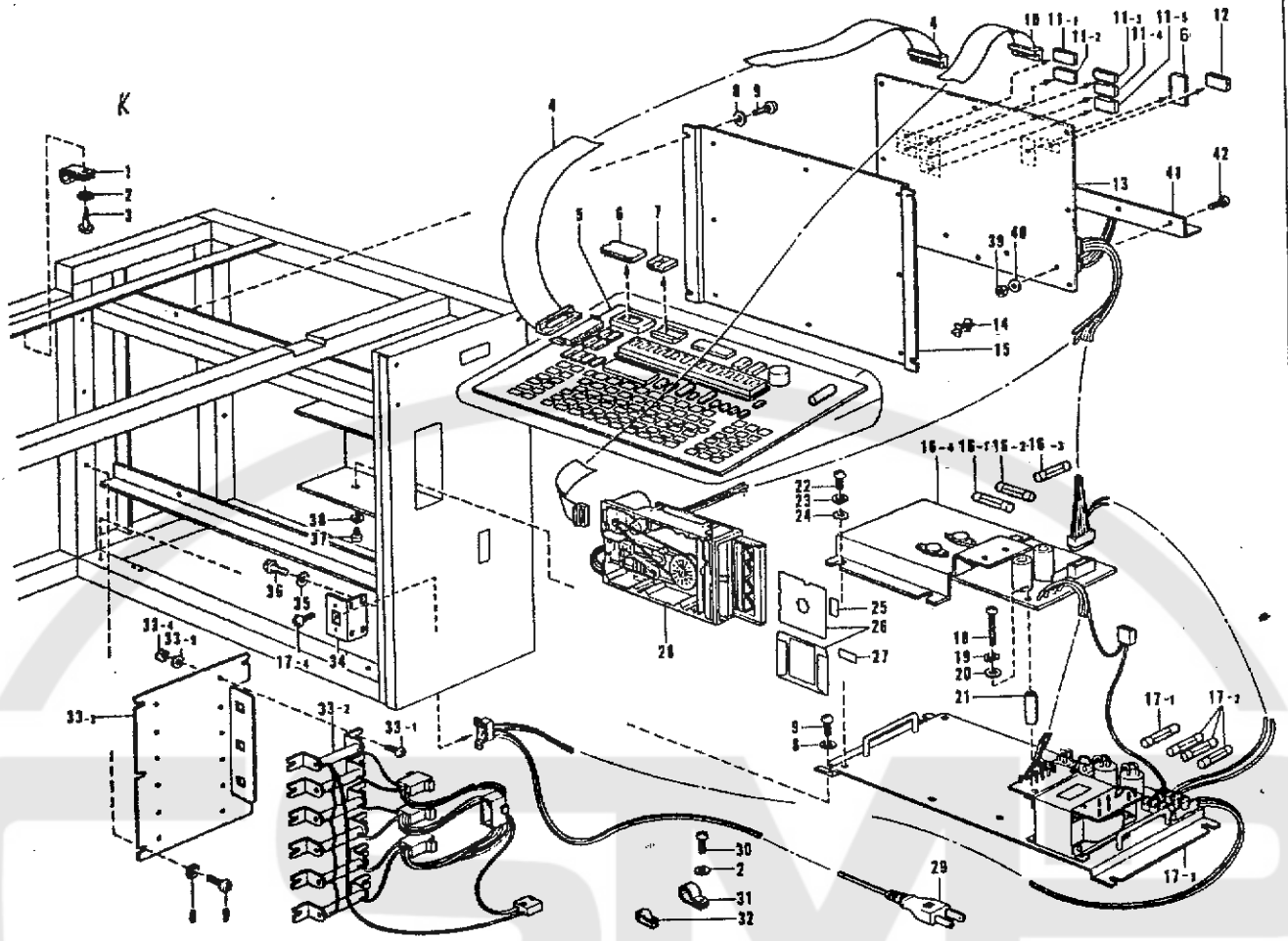
f. No.	Name of Parts	Q'ty	Parts No.	Assembly No.	Ref. No.	Name of Parts	Q'ty	Parts No.	Assembly No.
H-1	Screw 4.5 x 25	6	031452-5-02		H-24	Spring Washer 2-4	4	028040-2-43	
H-2	Table	1			H-25	Screw 4 x 8	4	002400-8-15	
H-3	Head Cushion	4	148890-1-01		H-26	Sub-Table for Key Board	1		
H-4	Nail	4	109714-0-00		H-27	Fixing Plate	1	157109-0-01	
H-5	Screw 3 x 8	2	007300-8-03		H-28	Screw 3.1 x 20	2	033312-0-04	
H-6	Location Assembly	1	157020-0-01		H-29	Receiver	1	157108-0-01	
H-7	Screw 3.1 x 13	2	031311-3-06		H-30	Screw 2.4 x 10	1	033241-0-02	
H-8	Switch Setting Plate	1	157127-0-01		H-31	Screw 4 x 10	4	002401-0-03	
H-9	Hinge	1	143882-0-01		H-32	Spring Washer 2-4	4	028040-2-43	
H-10	Screw 4.37 x 6	1	009680-6-13		H-33	Washer 4	4	025040-2-33	
H-11	Washer 4.37	1	025680-2-34		H-34	Sub-Table Supporter	1		
H-12	Earth Wire	1	145946-0-01		H-35	Screw 4 x 18	5	002401-8-02	
H-13	Hinge E	1	145945-0-01		H-36	Hinge A	2	157110-0-01	
H-14	Rubber Hinge	2	143910-0-01		H-37	Screw 3.1 x 20	12	033312-0-04	
H-15	Nail	4	109714-0-00		H-38	Screw 4.5 x 16	4	031451-6-03	
H-16	Key Board Cover A	1	157186-0-00		H-39	Oil Pan	1	157116-0-01	
H-17	Shadow Mark 2	1	157241-0-01		H-40	Washer 4	1	025040-2-33	
H-18	Key Board Sheet	1	157040-0-01		H-41	Screw 4 x 5	1	002400-5-02	
H-19	Key Board Plate	1	157162-0-01		H-42	Stopper	2	157232-0-00	
H-20	Washer	6	157167-0-00		H-43	Nut 3	3	021300-1-05	
H-21	Washer 4	12	025040-2-33		H-44	Washer 2	6	157233-0-00	
H-22	Screw 4 x 10	3	002401-0-03		H-45	Reinforcement Plate	1	157234-0-01	
H-23-1	Key Board Cover B	1	157187-0-00	H-23		H-46	Screw 3 x 10	3	002301-0-03
H-23-2	Pin 4	2	038422-0-14	Cover B with Screw Assembly 183164-0-01					
H-23-3	Pin 4	2	039412-5-14						

# J. Table Unite Mechanism



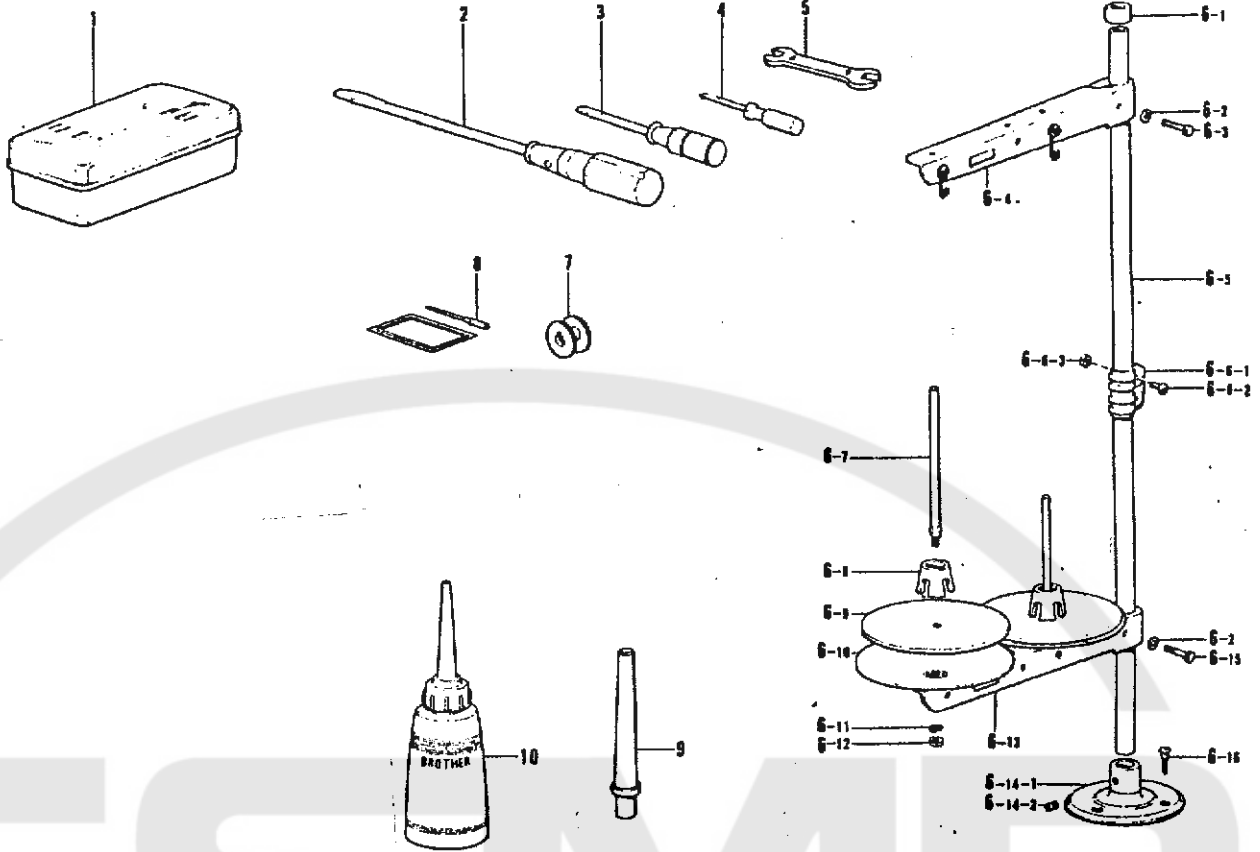
Ref. No.	Name of Parts	Q'ty	Parts No.	Assembly No.	Ref. No.	Name of Parts	Q'ty	Parts No.	Assembly No.
J-1	Rear Cover Assembly	1			J-17	Edging	1	157099-0-00	
J-2	Washer 4	10	025040-2-33		J-18	Stop Ring E2	2	048020-3-42	
J-3	Screw 4 x 10	10	002401-0-03		J-19	Stopper Setting Bar	1	157081-0-01	
J-4	Cover Connector Setting Plate B	6	157098-0-01		J-20	Stopper Spring	1	157082-0-01	
J-5	Washer 4	6	025040-2-33		J-21	Sub-Table Stopper	1	157079-0-01	
J-6	Screw 4 x 4	6	002400-4-03		J-22	Front Cover Assembly	1		
J-7	Screw 4 x 10	6	002401-0-03		J-23	Screw 4 x 10	6	002401-0-03	
J-8	Washer 4	6	025040-2-33		J-24	Washer 4	6	025040-2-33	
J-9	Plate Spring B	2	157088-0-01		J-25	Center Cover Assembly	1		
J-10	Washer 4	8	025040-2-33		J-26	Nut 12	4	021120-3-04	
J-11	Screw 4 x 10	8	002401-0-03		J-27	Caster A	2	157118-0-01	
J-12	Plate Spring B	2	157088-0-01		J-28	Caster B	2	157119-0-01	
J-13	Cover Setting Pin	2	157089-0-01		J-29	Side Cover Left Assembly	1		
J-14	Cover Setting Pin	2	157089-0-01		J-30	Switch Label A2	1	157238-0-01	
J-15	Stand Assembly	1			J-31	Switch Label B2	1	157239-0-01	
J-16	Side Cover Right Assembly	1							

# K. Power Supply Equipment Mechanism



Ref. No.	Name of Parts	Q'ty	Parts No.	Assembly No.	Ref. No.	Name of Parts	Q'ty	Parts No.	Assembly No.
K-1	Cord Holder #9	6	525907-0-00		K-19	Spring Washer 2-3	2	028030-2-43	
K-2	Washer 4	22	025040-2-33		K-20	Washer 3	2	025030-2-33	
K-3	Screw 4.1 x 13	6	031411-3-04		K-21	Spacer	2	157211-0-00	
K-4	Wire Harness	1	157221-0-01		K-22	Screw 4 x 10	4	002401-0-03	
K-5	Keyboard Circuit Board Assembly	1	157176-0-01		K-23	Spring Washer 2-4	4	028040-2-43	
K-6	CPU-7801	2	157194-0-01		K-24	Washer 4	4	025040-2-33	
K-7	P-ROM-2732-02	1	157004-0-01		K-25	Label A	1		
K-8	Washer 4	13	025040-2-33		K-26	Floppy Disk	1	157030-0-01	
K-9	Screw 4 x 10	13	002400-0-03		K-27	Label B	1		
K-10	Floppy Harness	1	157025-0-01		K-28	Floppy Drive	1	157024-0-01	
K-11-1	P-ROM-2732-01-2	1	157190-0-01	K-11 P-ROM-2732-01 Assembly 157188-0-01	K-29	Power Supply Cord Assembly	1		
K-11-2	P-ROM-2732-01-4	1	157192-0-01		K-30	Screw 4 x 10	16	002401-0-03	
K-11-3	P-ROM-2732-01-1	1	157189-0-01		K-31	Cord Holder #14	8	552908-0-00	
K-11-4	P-ROM-2732-01-3	1	157191-0-01		K-32	Cord Holder #12	8	554482-0-00	
K-11-5	P-ROM-2732-01-5	1	157193-0-01		K-33-1	Screw 4 x 10	12	002401-0-03	
K-12	P-ROM-2716-01	1	157196-0-01	K-33-2	Resistor Assembly	1	157019-0-01	K-33 Resistor Assembly 157032-0-01	
K-13	Printed Circuit Board Assembly	1	157160-0-01	K-33-3	Resistor Setting Plate	1			
K-14	Board Spacer	8	157195-0-00	K-33-4	Nut 4	12	021400-1-03		
K-15	Setting Plate PC Board	1		K-33-5	Spring Washer 2-4	12	028040-2-43		
K-16-1	Fuse 5A	1	157218-0-01	K-34	Switch Setting Plate	1	157117-0-01		
K-16-2	Fuse 3A	1	157217-0-01	K-35	Washer 4	4	025040-2-33		
K-16-3	Fuse 1A	1	157216-0-01	K-36	Screw 4 x 10	4	002401-0-03		
K-16-4	Power Supply Board	1		K-37	Screw 3 x 8	2	002300-8-03		
K-17-1	Fuse 8A	1	157220-0-01	K-38	Washer 3	2	025030-2-33		
K-17-2	Fuse 3A	3	157219-0-01	K-39	Nut 3	4	021300-1-03		
K-17-3	Power Supply Unit	1		K-40	Washer 3	4	025030-2-33		
K-17-4	Screw 3 x 6	2	002300-6-13	K-41	Heat Sink Plate	1	157235-0-01		
K-18	Screw 3 x 30	2	002303-0-06	K-42	Screw 3 x 16	4	002301-6-03		

# Z. Accessories



Ref. No.	Name of Parts	Q'ty	Parts No.	Assembly No.	Ref. No.	Name of Parts	Q'ty	Parts No.	Assembly No.
Z- 1	Accessory Box		110436-0-01		Z- 6- 9	Spool Mat		150182-0-00	
Z- 2	Screw Driver 5.5 x 190		101572-1-01		Z- 6-10	Spool Stand Base		150180-0-00	Z-6 Cotton Stand Assembly
Z- 3	Screw Driver 3.4 x 70		118837-0-01		Z- 6-11	Spring Washer 2-5		028050-2-43	157101-0-01
Z- 4	Screw Driver 1.9 x 52		142443-0-01		Z- 6-12	Nut 5		021500-1-03	
Z- 5	Spanner 8 x 9		100887-0-01		Z- 6-13	Spool Holder Assembly 2		150177-0-01	
Z- 6- 1	Cap			Z-6 Cotton Stand Assembly 157101-0-01	Z- 6-14-1	Cotton Stand Base		150189-0-01	Z-6-14 Cotton Stand Base Assembly
Z- 6- 2	Washer 5		025050-2-33		Z- 6-14-2	Screw 6 x 7		150181-1-01	150139-0-01
Z- 6- 3	Bolt 5 x 28		017502-8-03		Z- 6-15	Bolt 5 x 28		017502-8-03	
Z- 6- 4	Thread Hanger Assembly		157100-0-01		Z- 6-16	Screw 4.5 x 22		031452-2-03	
Z- 6- 5	Pipe		150172-0-01		Z- 7	Bobbin		146290-0-01	
Z- 6- 6-1	Joint		150173-0-01	Z-6-6 Joint for Cotton Stand 150106-0-01	Z- 8	Needle Assembly DB x 1 #9		100265-4-29	
Z- 6- 6-2	Screw 5 x 14		150202-0-01		Z- 9	Head Rest B		154004-0-02	
Z- 6- 6-3	Nut 5		021500-1-03		Z-10	Oiler		114483-0-01	
Z- 6- 7	Spool Shaft (B)		150179-0-01						
Z- 6- 8	Spool Cushion		126863-0-00						

\*The details of included accessories are subject to change.

\*Änderungen in der Aufstellung der mitgelieferten Zubehörteile sind vorbehalten.

\*Les détails des accessoires inclus sont sujets à des changements.

\*Los detalles de los accesorios incluidos pueden variar.

# DIFFERENT PARTS LIST

Ref. No.	Name of Parts	Destination	America	France
K-29	Power Supply Cord Assembly		571997-0-01	571998-0-01

## INDEX

Parts No.	Ref. No.	Remark	Parts No.	Ref. No.	Remark	Parts No.	Ref. No.	Remark	Parts No.	Ref. No.	Remark
001309-4-04	A- 8- 1		013760-6-10	B-38		025040-2-33	J-10		100633-0-01	C-24	
001660-5-12	F-22-12			C- 8			J-24			C-28	
001670-6-12	C- 4			D-39			K- 2			C-38	
	E-17		013761-4-10	B-32			K- 8			D-35	
001670-8-14	A-11			C-12			K-24		100887-0-01	Z- 5	
	D- 5		013780-8-10	B-36			K-35		101572-1-01	Z- 2	
	D-22		014300-3-22	F-22- 9		025050-2-32	G- 2-15		101706-0-01	C-20- 2	
002300-6-13	K-17- 4		014300-5-22	D-13			G- 2-39			C-32- 2	
002300-4-03	F- 5			F-14		025050-2-33	Z- 6- 2			C-43- 2	
002300-8-03	K-37		014400-4-22	G- 2-21		025680-2-34	H-11			D-31	
002301-0-03	H-46		014400-5-22	D- 2- 3		028030-2-43	K-19			D-36- 2	
002301-6-03	K-42			G- 2- 1		028040-2-43	F-20- 5			D-38- 2	
002301-6-05	F-18			G- 2- 9			H-24			D-59	
002303-0-06	K-18			G- 2-28			H-32		101706-0-03	C- 9- 2	
002400-4-03	J- 6			G- 2-33			K-23			C-23- 2	
002400-5-02	F- 8			G- 2-36			K-33- 5		102731-0-02	A- 7	
	H-41		014400-8-22	G- 2-26		028050-2-42	G- 4		102843-0-04	C-37	
002400-8-15	H-25		014500-5-22	G- 2- 6			Z- 6-11		103013-0-00	B- 9	
002401-0-03	F-20-6			G- 2-14		028060-2-42	F- 2		103796-0-01	C- 6	
	H-22		014501-2-22	F- 1- 4		031311-3-06	H- 7		103950-0-03	A-24	
	H-31		014680-4-22	F-22-17		031411-3-04	F-19		104449-0-01	A- 9	
	J- 3		014770-6-22	F- 1- 5			K- 3		104689-0-01	D-26	
	J- 7		017502-8-03	G- 2-25		031451-6-03	H-38			D-46	
	J-11			G- 2-38		031452-2-03	Z- 6-16		104833-0-01	D-57	
	J-23			Z- 6- 3		031452-5-02	H- 1		104908-0-01	D-14	
	K- 9			Z- 6-15		033241-0-02	H-30		105163-0-01	B-20	
	K-22		018061-6-22	F- 3		033312-0-04	H-28		105299-0-03	C-22- 2	
	K-30		018401-0-22	D- 3			H-37		107407-0-03	B-27	
	K-33- 1		018503-0-22	G- 3		038422-0-14	H-23- 2			C-49	
	K-36		021120-3-04	J-26		039412-5-14	H-23- 3		107474-0-03	A- 1	
002401-2-04	F-13		021300-1-03	K-39		048020-3-42	J-18		108808-0-01	E-16	
002401-8-02	H-35		021300-1-05	H-43		048060-3-42	D-30		108960-0-04	A- 6	
006301-2-04	F-22- 5		021400-1-03	F-20- 1		048070-3-42	G- 2-31		109405-0-01	E- 5	
006400-8-04	F-21			K-33- 4		048160-2-42	G- 2-13			E-11	
007300-6-13	F-22- 1		021500-1-03	G- 2-12		071030-0-50	G- 2-10			E-22	
007300-8-03	D- 8		021500-1-03	G- 2-16		100080-0-03	B-26- 5			E-23	
	D-20			G- 2-40		100136-0-01	F-20- 9			E-27	
	F- 9			Z- 6- 6- 3		100248-0-01	B-34			E-28	
	G- 8			Z- 6-12			B-40		109714-0-00	H- 4	
	H- 5		021670-2-03	G-11- 5		100250-0-01	B-31			H-15	
008300-6-04	F- 1- 7		025030-2-33	A- 8- 5		100251-0-01	B-29		109993-0-01	E- 1	
	F-17			F-22- 2			C- 5- 2		110087-0-01	D-42	
009670-4-12	A- 3			G- 9			C- 5- 4		110124-0-01	B-26- 4	
009670-6-12	C-33			K-20			C-21- 2		110367-0-01	B-28	
009670-6-13	C-42			K-38			D-37- 2		110436-0-01	Z- 1	
009670-8-12	A-21			K-40			D-47		111937-0-01	A-12	
009671-4-12	E-20		025040-2-32	D- 4		100257-0-10	A-16		111942-0-01	F-22-10	
009680-6-13	H-10		025040-2-33	F- 7			A-18		111943-0-01	F-22-11	
009760-8-13	D-51			F-20- 2			E- 8		113031-0-01	B-14	
009780-8-12	C- 2			H-21		100265-0-29	B-16		114483-0-01	Z-10	
009781-8-12	C- 15- 2			H-33		100265-4-29	Z- 8		116629-0-01	D-28	
009783-0-12	C- 1- 2			H-40		100279-1-02	B- 1		116949-0-00	B-30	
013711-0-10	B-19			J- 2		100401-0-01	F-20- 8		116966-0-00	E- 4	
	B-22			J- 5		100402-0-04	A-26- 1		116967-0-00	E- 7	
	C-14			J- 8		100507-0-00	D-18		116968-0-00	E-14	



Parts No.	Ref. No.	Remark	Parts No.	Ref. No.	Remark	Parts No.	Ref. No.	Remark	Parts No.	Ref. No.	Remark
116968-0-00	E-30		118279-0-01	C-21		151605-0-01	C-30		157100-0-01	Z- 6- 4	
116969-0-00	E-12		118280-1-01	C- 1			C-39		157101-0-01	Z- 6	
116981-0-00	A-20		118285-0-01	C-32			D-12		157108-0-01	H-29	
116984-0-00	E-29		118286-0-01	C-43			D-34		157109-0-01	H-27	
117006-0-01	E- 3		118299-0-01	C- 9			D-61		157110-0-01	H-36	
	E-13			C-23		152358-0-01	F-22- 7		157116-0-01	H-39	
	E-25		118311-0-01	B-18		152360-0-01	F-22-16		157117-0-01	K-34	
117007-0-01	E- 6		118371-0-01	D-37		152361-0-01	F-22-14		157118-0-01	J-27	
	E-24		118379-0-01	D-54		152362-0-01	F-22-15		157119-0-01	J-28	
	E-26		118666-0-01	D-56		152363-0-01	F-22- 8		157120-0-01	D- 2	
117022-0-01	E-31		118791-0-01	B-26- 2		152389-0-01	F- 1- 3		157121-0-00	D- 2- 2	
117534-0-03	A-17		118807-1-01	B-26		152645-0-01	F-22- 4		157122-0-00	D- 9	
117535-0-01	B-37		118837-0-01	Z- 3		154004-0-02	Z- 9		157124-0-01	D- 7	
117542-0-00	B-35		120329-0-01	A-26-10		154024-0-01	F-22- 3		157127-0-01	H- 8	
117544-0-01	B-21		121764-0-01	G-11- 4		154093-1-01	F-22-19		157131-0-01	A- 2	
117546-0-01	B-21- 2		121765-0-01	G-11- 3		157004-0-01	K- 7		157133-0-01	G- 2	
117547-0-01	B-17		122771-0-02	B-12- 3		157006-0-00	E-21		157134-0-01	F- 1- 6	
117549-0-01	B-13		124697-0-01	B- 7		157009-0-01	D-25		157138-0-00	G- 5	
117550-1-01	B-25		125270-0-01	A-26- 7		157010-0-01	D-24		157139-0-01	G- 2-17	
117569-0-01	C-10		125272-0-02	A-26- 9- 1		157011-0-01	D-15		157141-0-00	G- 2- 2	
117570-0-01	C- 7		125275-0-01	A-26- 5		157012-0-01	D-10			G- 2-37	
117571-0-01	C-11		126863-0-00	Z- 6- 8		157013-0-01	D-11		157142-0-01	G- 2-18	
117577-0-01	C-27		129376-0-01	A-26- 6		157015-0-01	F-22		157143-0-01	G- 2- 5	
117580-0-01	C-16		129505-0-01	B- 4		157017-0-01	F-20		157144-0-01	G- 2- 3	
117581-0-01	C-17		140519-0-01	C-46		157018-0-01	F-20- 3		157145-0-00	G- 2-27	
	D-52		140536-0-01	C-13		157019-0-01	K-33- 2		157146-0-00	G- 2-34	
117582-0-01	C-25		140553-1-02	B-15		157020-0-01	H- 6		157147-0-00	G- 2-32	
117583-0-01	C-29		140647-0-01	A-10		157021-0-01	D-21		157148-0-00	G- 2-30	
117584-0-01	C-19		140706-0-01	B-25- 6		157023-0-01	F-23		157149-0-01	G- 2-29	
	C-31		140740-0-01	C-15		157024-0-01	K-28		157150-0-01	G- 2- 8	
117587-0-01	C-34		141099-0-01	B- 2		157025-0-01	K-10		157151-0-01	G- 2-11	
117588-0-01	C-35		142013-0-01	B-33		157026-0-01	F-15		157152-0-01	G- 2- 7	
117589-0-01	C-41		142443-0-01	Z- 4		157027-0-01	A- 8- 2		157153-0-01	G- 2-24	
117590-0-01	C-40		142566-0-01	F-22-18		157028-0-01	D- 2- 1		157156-0-01	G- 2-23	
117591-0-01	C-36		143882-0-01	H- 9			G- 6		157157-0-01	G- 2-20	
117592-0-01	C-45		143910-0-01	H-14		157030-0-01	K-26		157158-0-01	G- 2-19	
117594-0-01	C-46- 1		145250-0-01	A-26- 2		157032-0-01	K-33		157159-0-00	K-14	
117595-0-01	C-48		145446-0-01	F-20- 7		157034-0-01	A-26		157160-0-01	K-13	
117596-0-01	C-44		145465-0-01	B-25- 4		157036-0-01	A-22		157161-0-00	G- 1	
117597-0-01	D-45			C-45- 1		157037-0-01	A-26- 4		157162-0-01	H-19	
117598-0-01	D-44		145486-0-01	D-16		157038-0-01	A-26- 3		157165-0-00	F-12	
	D-55		145571-1-01	F-20- 4		157039-0-01	A-26- 8		157166-0-00	F-10	
117599-0-00	D-40		145595-0-01	D-23		157040-0-01	H-18		157167-0-00	H-20	
117600-0-01	D-41		145945-0-01	H-13		157041-0-01	A-26-11		157170-0-01	D- 6	
117603-0-00	D-33		145946-0-01	H-12		157042-0-01	G-11		157171-0-01	K-17	
117613-0-01	D-19		146290-0-01	C-47		157043-0-01	G-11- 2		157176-0-01	K- 5	
117620-0-00	A-23			Z- 7		157047-0-00	G-11- 1		157177-0-01	K-16	
117624-0-01	D-43		147732-0-01	B-26- 6		157049-0-01	G-10		157180-0-01	G- 2-35	
117625-0-01	D-29		148309-0-02	B-12		157054-0-01	A- 8		157181-0-00	F-11	
117626-0-01	D-60		148310-0-01	B-12- 2		157055-0-01	A- 8- 4		157183-0-00	F- 1- 8	
117629-0-01	D-58		148890-1-01	H- 3		157056-0-01	A- 8- 6		157185-0-01	F- 1- 1	
117636-0-01	A- 4		148919-0-03	A-19		157058-0-01	A- 8- 3		157186-0-00	H-16	
117640-0-01	A- 5		150106-0-01	Z- 6- 6		157061-0-01	A-14		157187-0-00	H-23- 1	
	A-25		150139-0-01	Z- 6-14		157062-0-01	A-15		157188-0-01	K-11	
117642-0-01	E-15		150172-0-01	Z- 6- 5		157065-0-01	B- 3		157189-0-01	K-11- 3	
117643-0-03	E- 9		150173-0-01	Z- 6- 6- 1		157066-0-01	B- 8		157190-0-01	K-11- 1	
117644-0-00	E-10		150177-0-01	Z- 6-13		157068-0-01	B-10		157191-0-01	K-11- 4	
117656-0-00	E- 2		150179-0-01	Z- 6- 7		157069-0-01	F- 1		157192-0-01	K-11- 2	
117671-0-02	D-48		150180-0-00	Z- 6-10		157070-0-01	F- 1- 2		157193-0-01	K-11- 5	
117938-0-01	B-39		150181-1-01	Z- 6-14- 2		157071-0-01	F-16		157194-0-01	K- 6	
117939-0-01	B-23		150182-0-01	Z- 6- 9		157072-0-01	F- 4		157195-0-01	A-26- 9- 2	
117945-0-01	C- 3		150189-0-01	Z- 6-14- 1		157079-0-01	J-21		157196-0-01	K-12	
117947-0-01	D-32		150202-0-01	Z- 6- 6- 2		157081-0-01	J-19		157197-0-01	B-11	
117957-0-01	E-19		151601-0-02	A-13		157082-0-01	J-20		157211-0-00	K-21	
117958-0-01	E-18		151603-0-02	D-17		157088-0-01	J- 9		157215-0-01	A-26- 9	
118129-0-01	C-20		151604-0-01	B- 5			J-12		157216-0-00	K-16- 3	
118131-0-01	D-50		151604-0-02	B- 6		157089-0-01	J-13		157217-0-01	K-16- 2	
118135-0-01	D-49		151605-0-01	B-24			J-14		157218-0-01	K-16- 1	
118136-0-01	D-53			C-18		157098-0-01	J- 4		157219-0-01	K-17- 2	
118278-0-01	C- 5			C-26		157099-0-00	J-17		157220-0-01	K-17- 1	

